



US00D822752S

(12) **United States Design Patent**  
**Yuyama**

(10) **Patent No.:** **US D822,752 S**  
(45) **Date of Patent:** **\*\* Jul. 10, 2018**

(54) **PROJECTOR**

(71) Applicant: **Panasonic Intellectual Property Management Co., Ltd., Osaka (JP)**

(72) Inventor: **Keiji Yuyama, Tokyo (JP)**

(73) Assignee: **Panasonic Intellectual Property Management Co., Ltd., Osaka (JP)**

(\*\*) Term: **15 Years**

(21) Appl. No.: **29/615,530**

(22) Filed: **Aug. 30, 2017**

(51) **LOC (11) Cl.** ..... **16-02**

(52) **U.S. Cl.**  
USPC ..... **D16/230**

(58) **Field of Classification Search**  
USPC ..... D16/221, 225, 229-231, 234; D21/514  
CPC .... G03B 21/145; G03B 21/14; G03B 21/001;  
G03B 21/003; G03B 21/00; G03B 21/12;  
G03B 21/16  
See application file for complete search history.

(56) **References Cited**

**U.S. PATENT DOCUMENTS**

D565,630 S \* 4/2008 Morishita ..... D16/225  
D658,699 S \* 5/2012 Azuma ..... D16/225  
D680,150 S \* 4/2013 Kawaguchi ..... D16/225

D688,724 S \* 8/2013 Tsukahara ..... D16/225  
D738,949 S \* 9/2015 Okamoto ..... D16/225  
D775,681 S \* 1/2017 Yuyama ..... D16/230

**FOREIGN PATENT DOCUMENTS**

CN 303532648 \* 8/2015

\* cited by examiner

*Primary Examiner* — Wan Laymon

(74) *Attorney, Agent, or Firm* — Panasonic IP Management; Kerry S. Culpepper

(57) **CLAIM**

I claim the ornamental design for a projector, as shown and described.

**DESCRIPTION**

FIG. 1 is a front perspective view of a projector of the present invention;  
FIG. 2 is a rear perspective view thereof;  
FIG. 3 is a front view thereof;  
FIG. 4 is a rear view thereof;  
FIG. 5 is a first side view thereof;  
FIG. 6 is a second side view thereof;  
FIG. 7 is a top view thereof;  
FIG. 8 is a bottom view thereof; and,  
FIG. 9 is an end view of the sectioned part taken along the line 9-9 in FIG. 3 with the internal parts being omitted.  
The broken lines in the drawings represent portions of the projector that form no part of the claimed design.

**1 Claim, 9 Drawing Sheets**

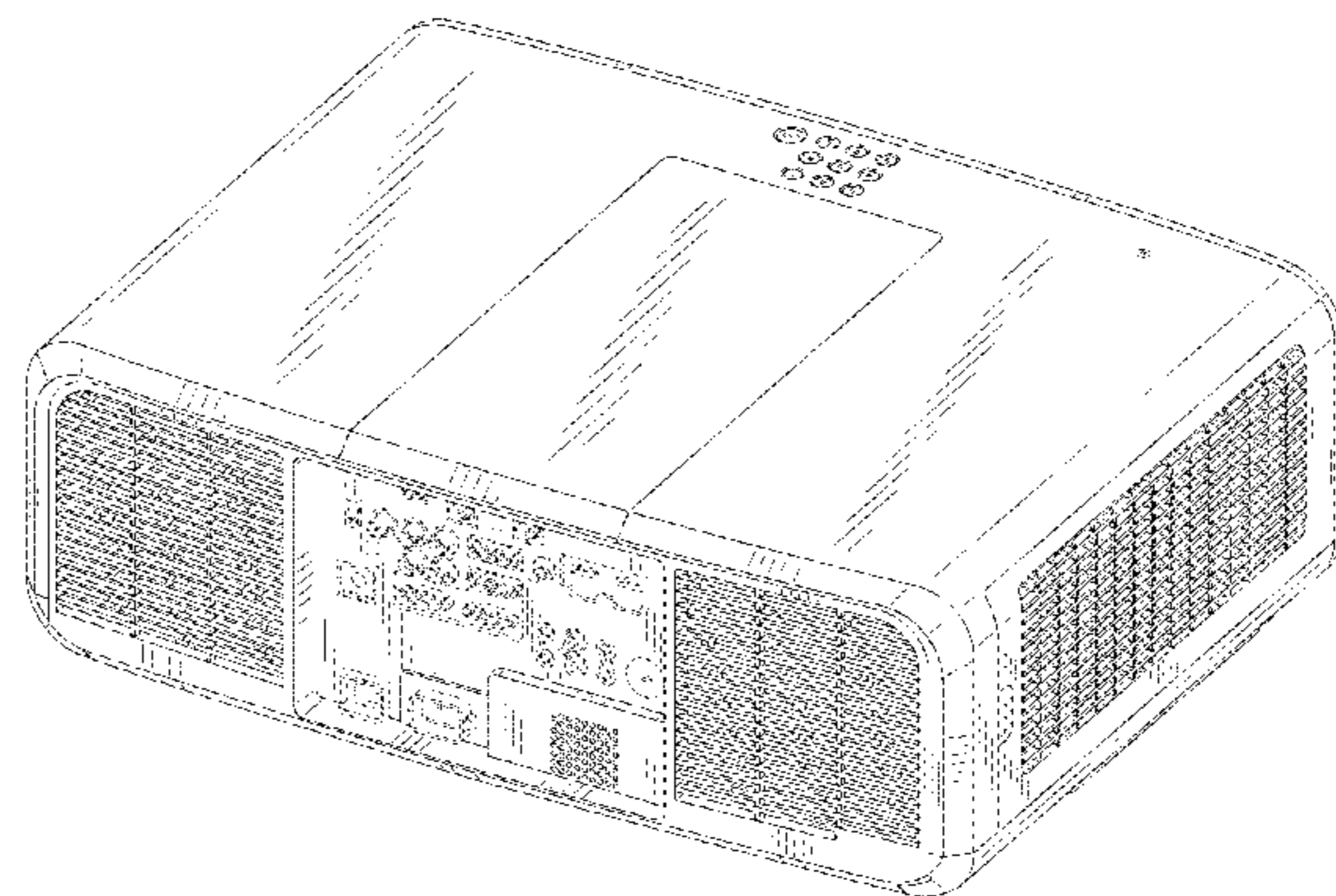
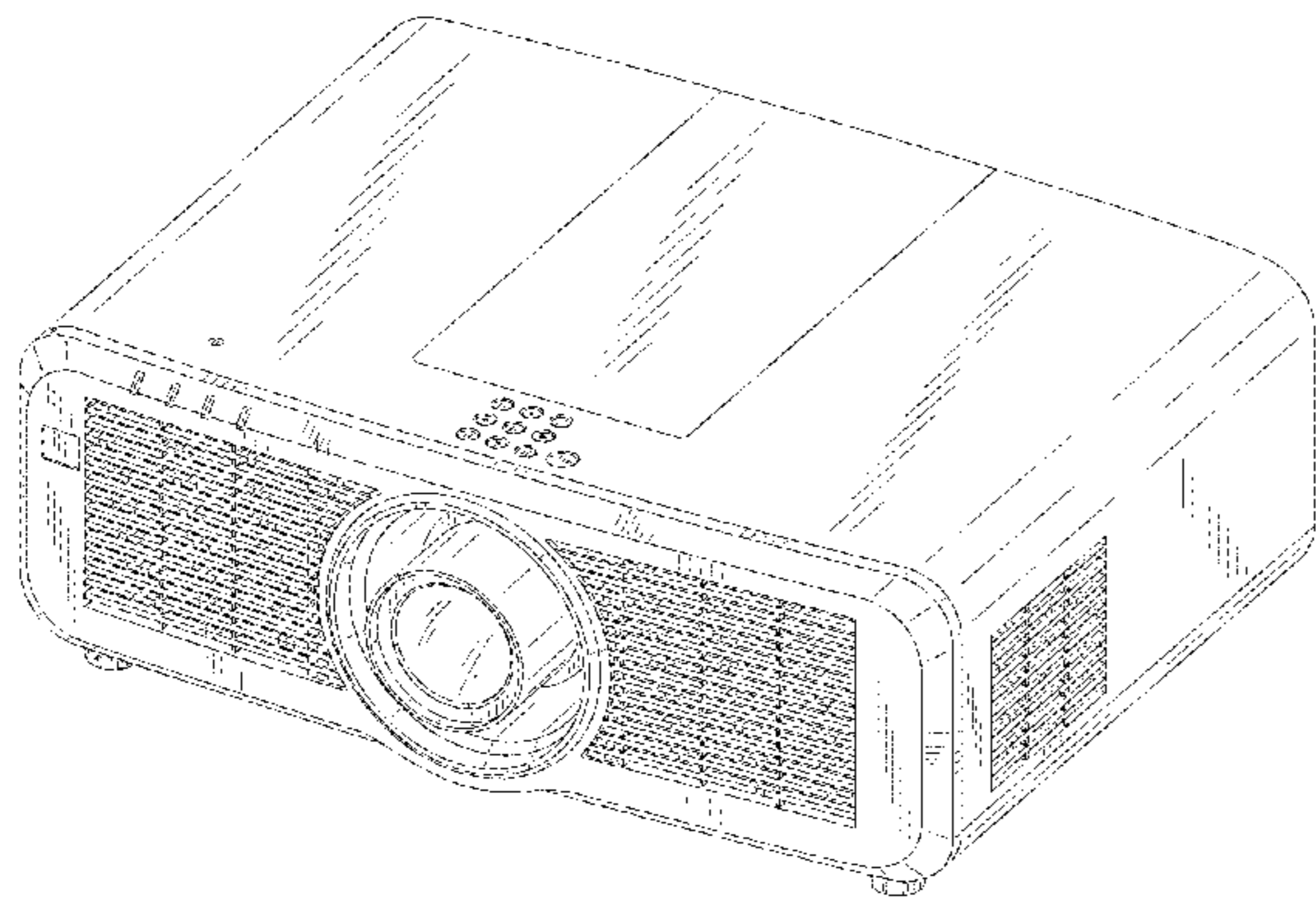


FIG. 1

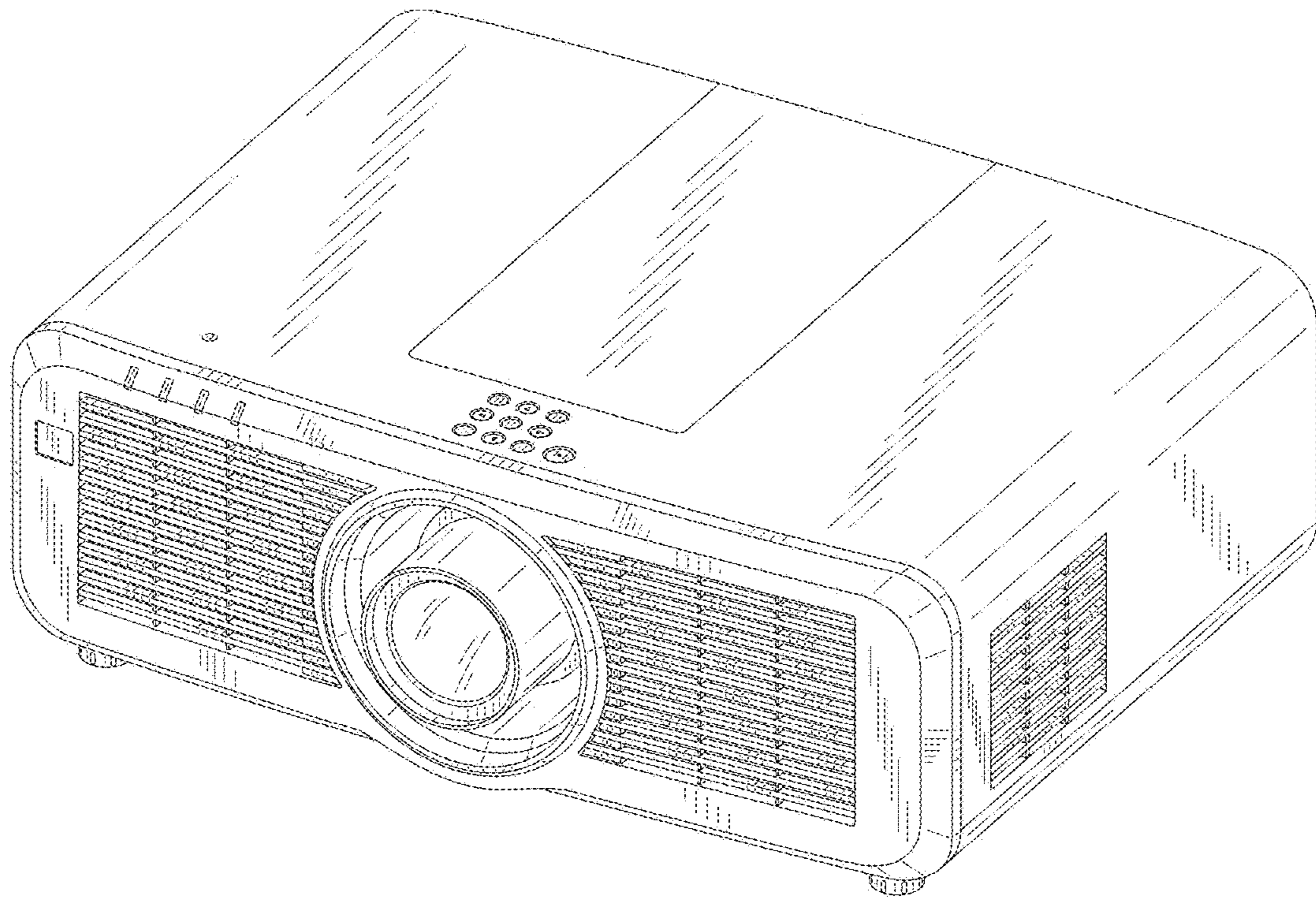


FIG. 2

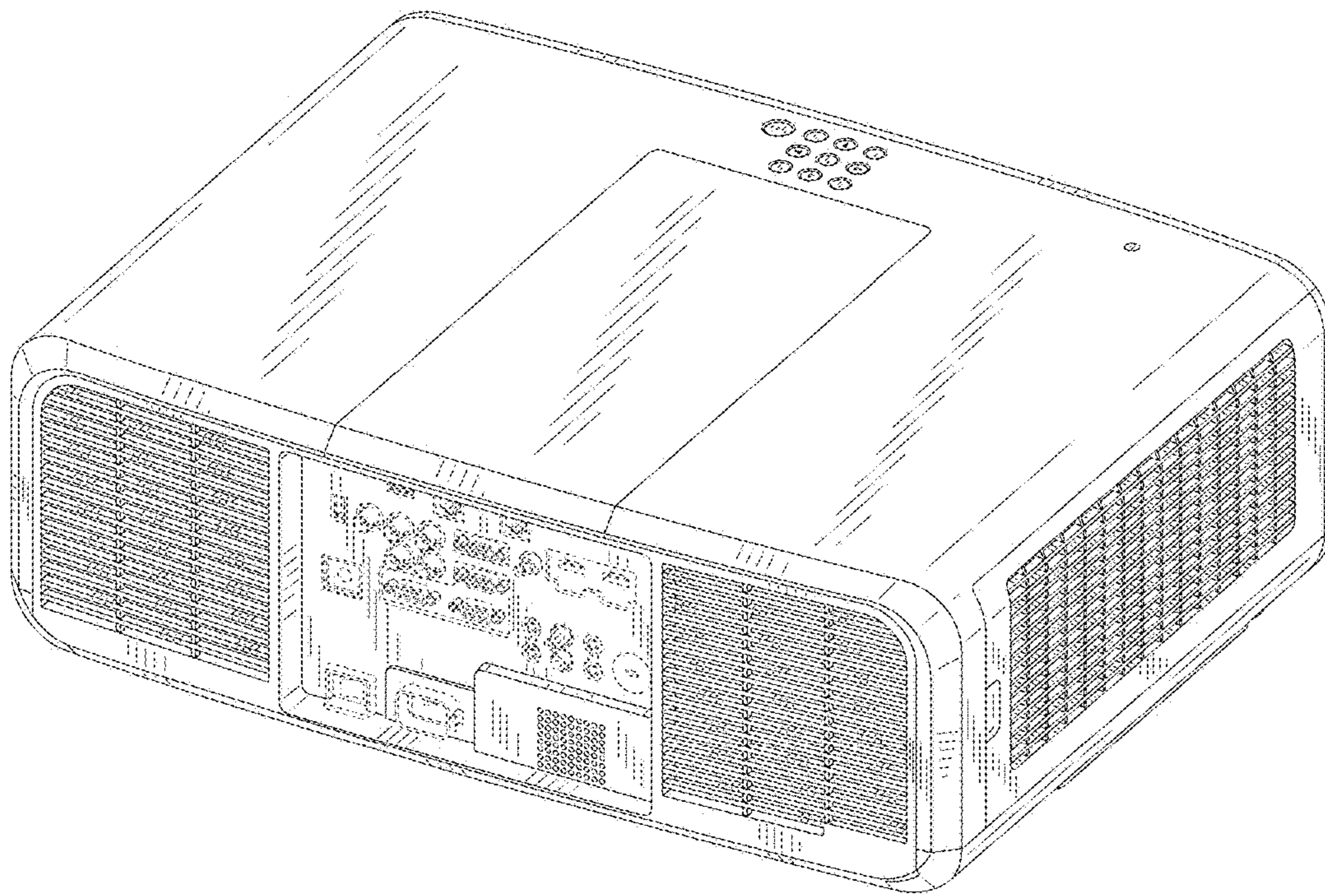


FIG. 3

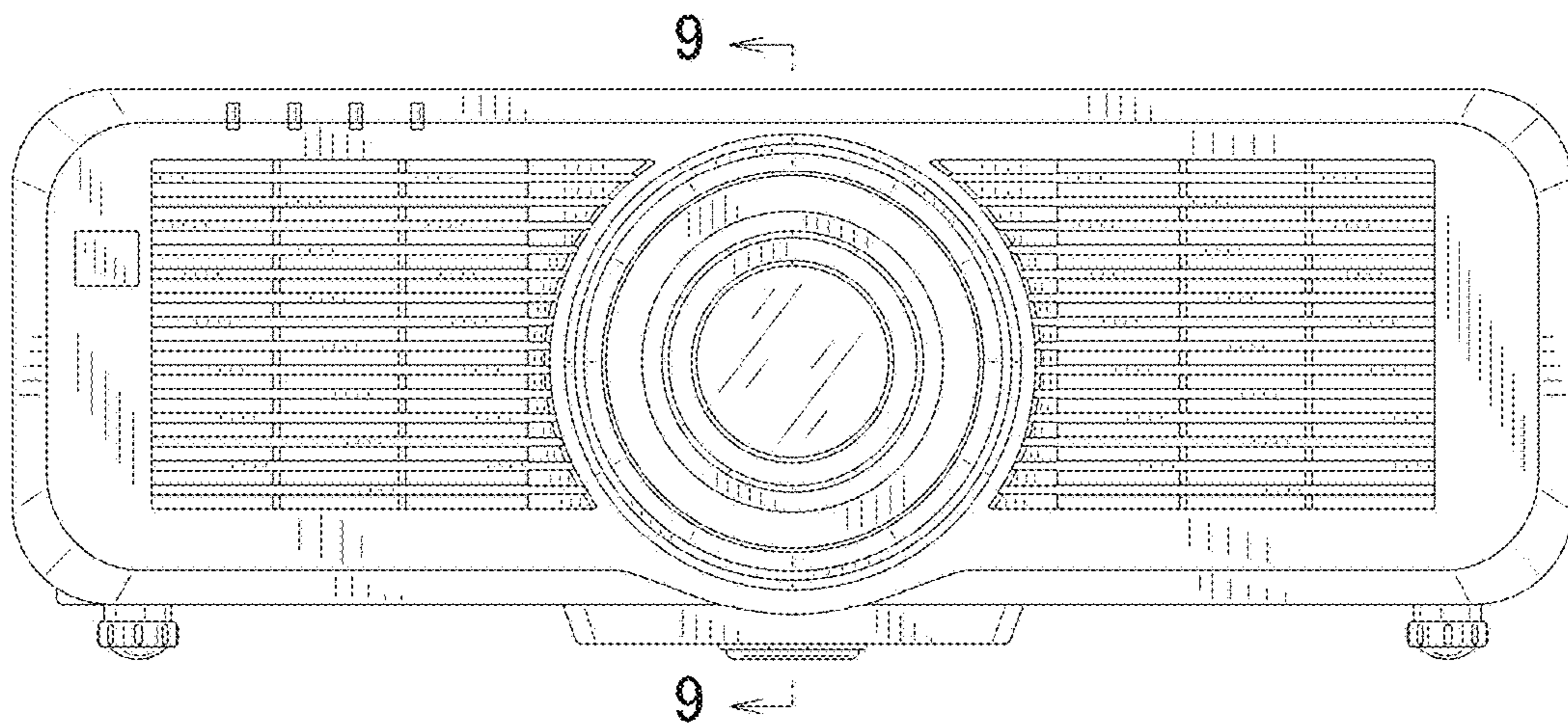


FIG. 4

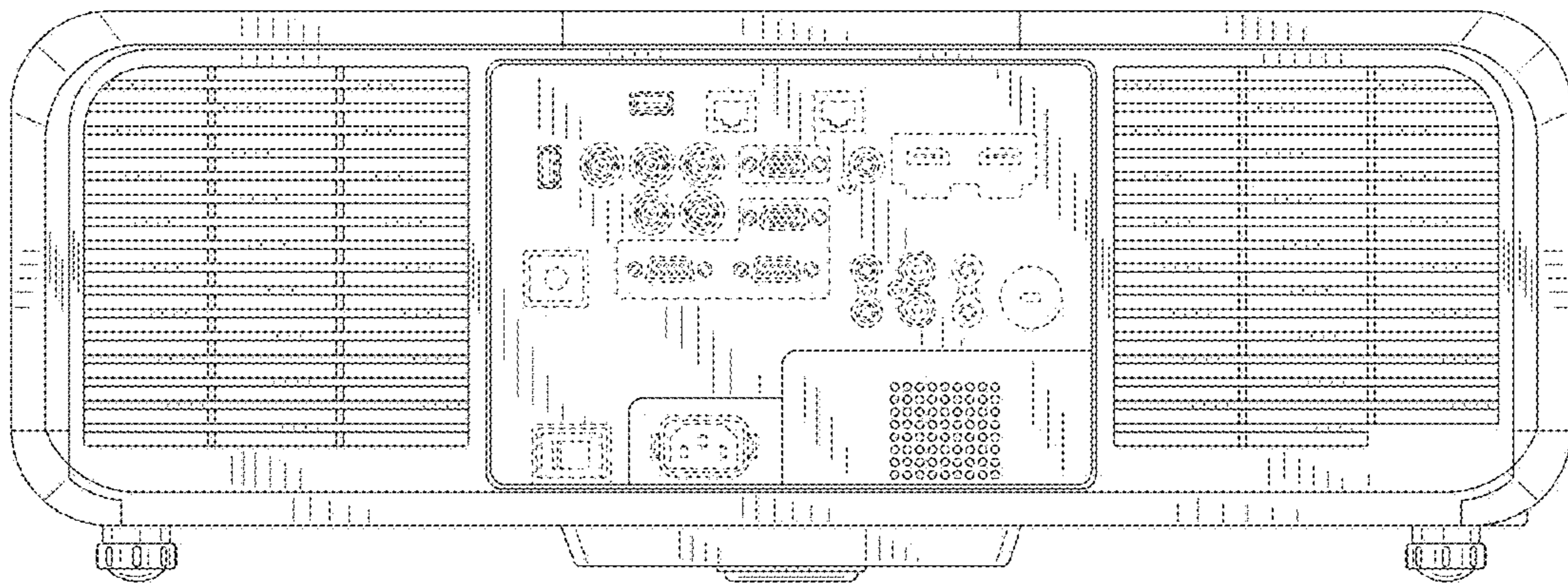


FIG. 5

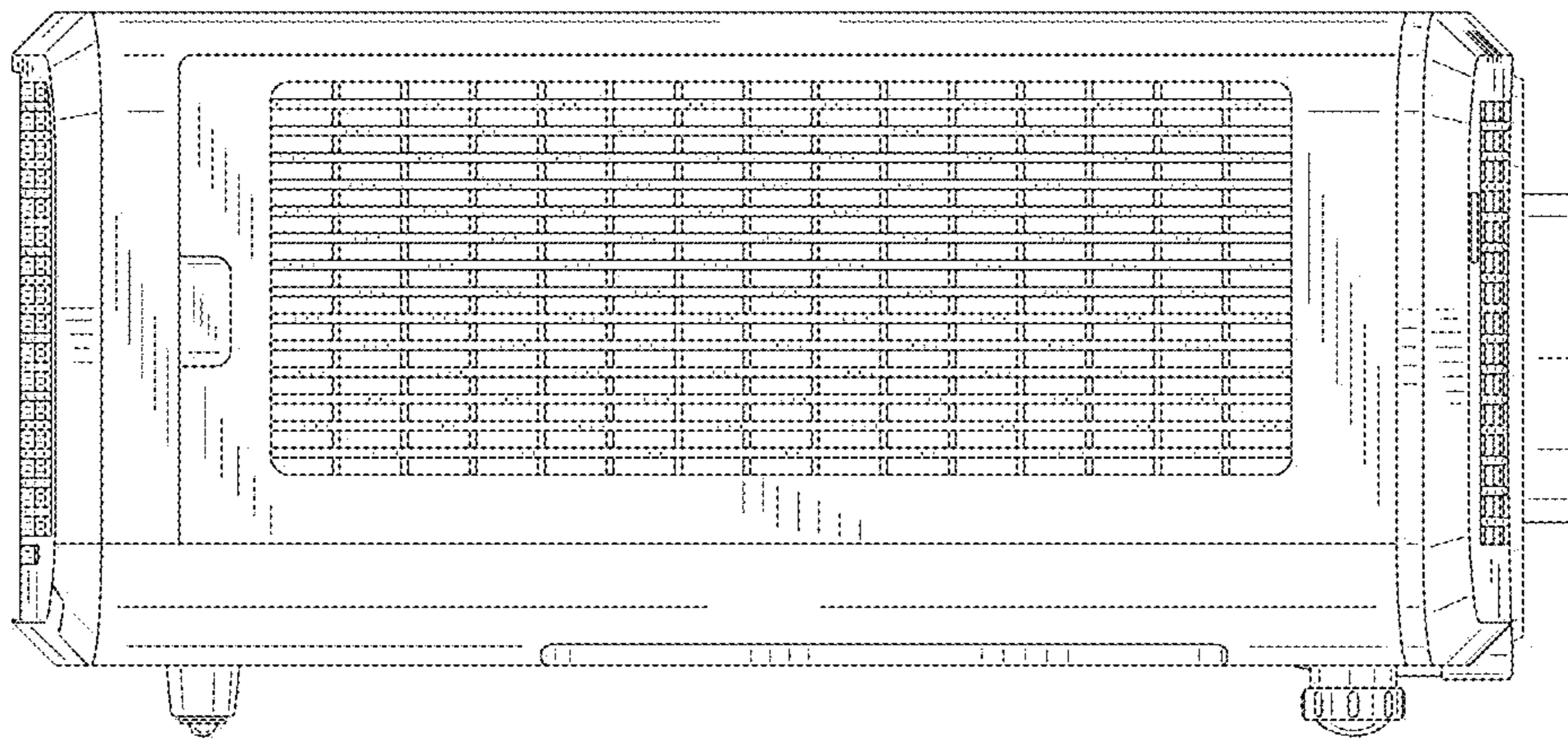


FIG. 6

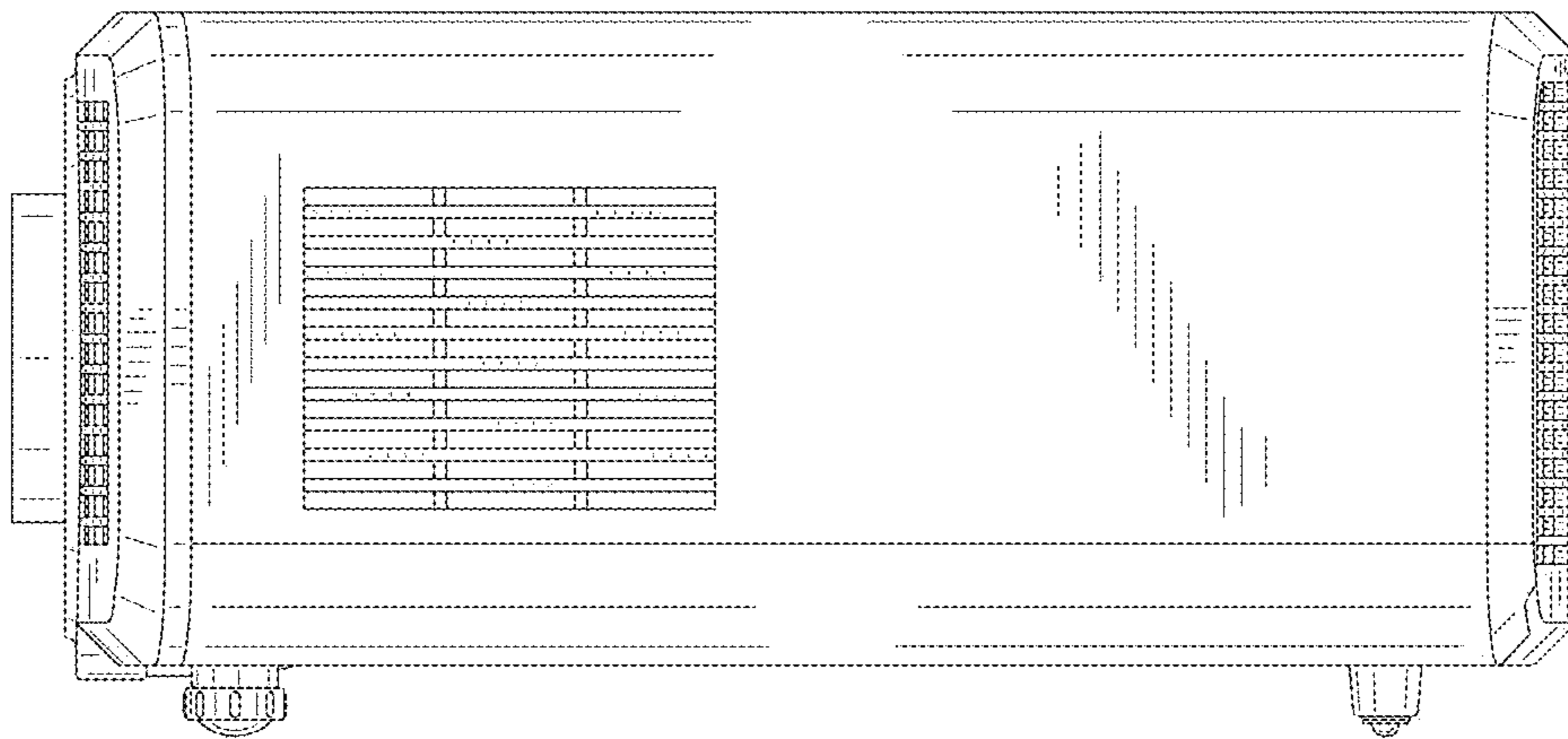


FIG. 7

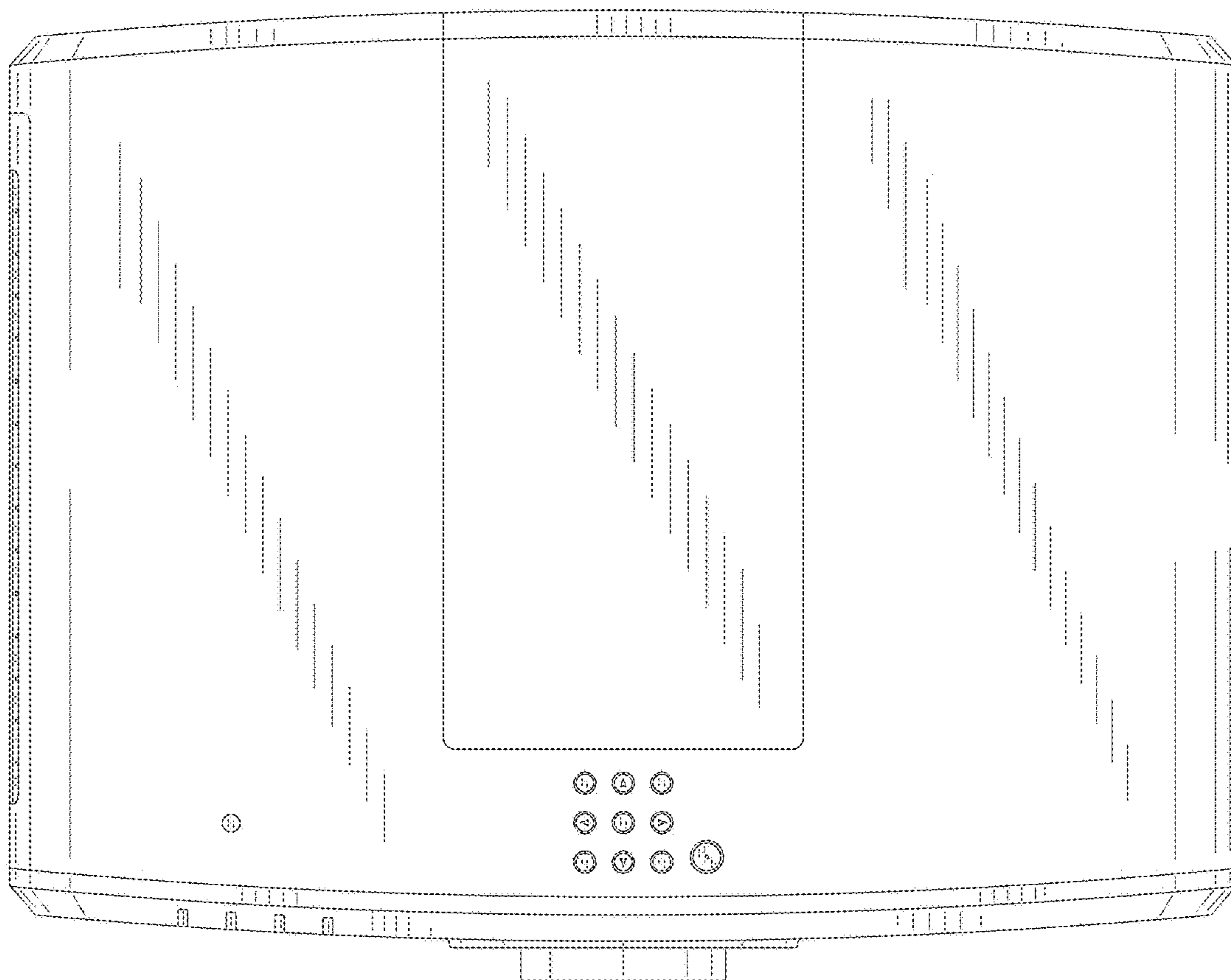




FIG. 8

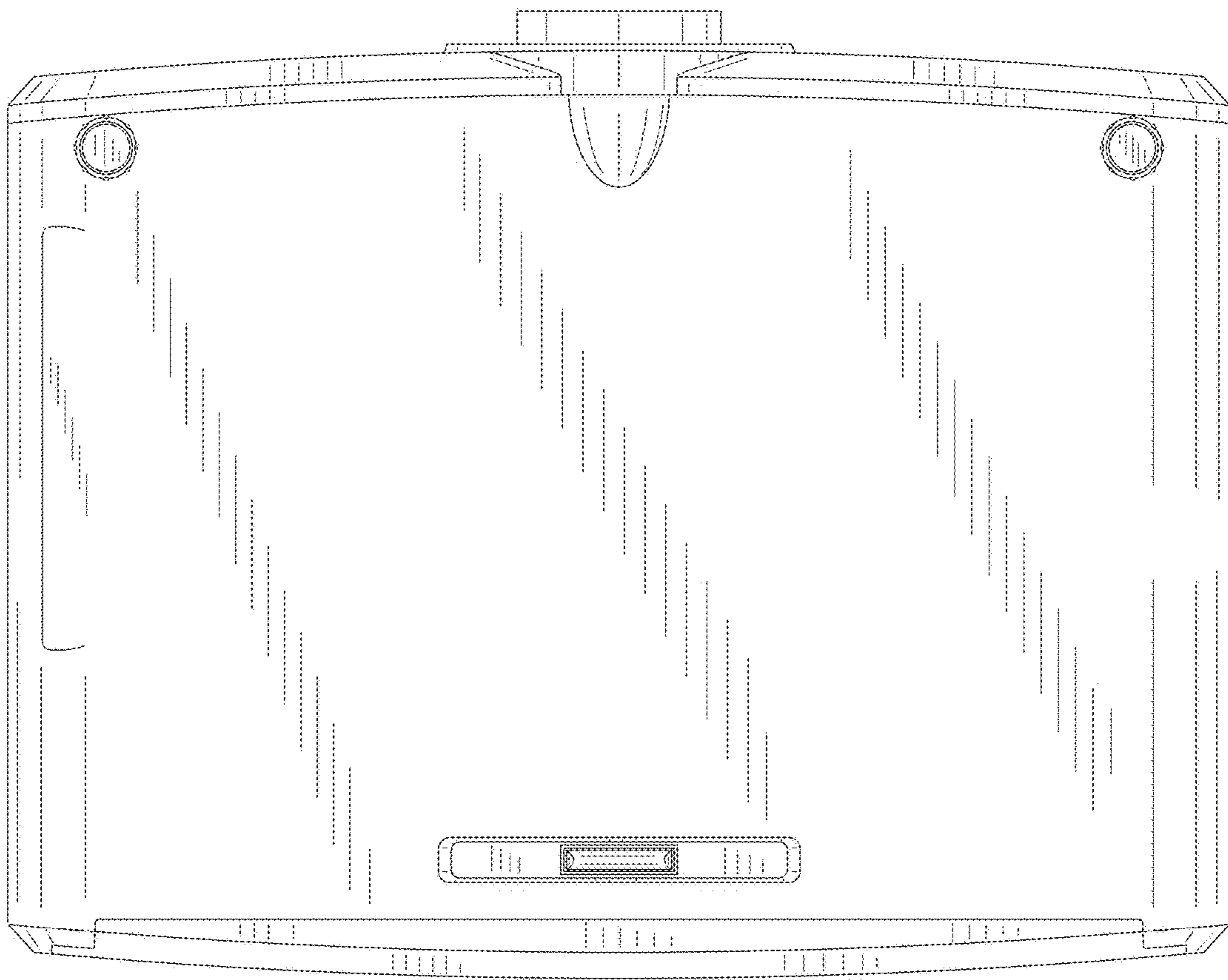


FIG. 9

