



US00D822751S

(12) **United States Design Patent**
Kim

(10) **Patent No.:** **US D822,751 S**
(45) **Date of Patent:** **** Jul. 10, 2018**

(54) **INTERCHANGEABLE LENS FOR CAMERA**

(71) Applicant: **SAMYANG OPTICS CO., LTD.**,
Gyeongsangnam-do (KR)

(72) Inventor: **Byeong Su Kim**, Gyeongsangnam-do
(KR)

(73) Assignee: **Samyang Optics Co., Ltd.**,
Gyeongsangnam-do (KR)

(**) Term: **15 Years**

(21) Appl. No.: **29/597,396**

(22) Filed: **Mar. 16, 2017**

(30) **Foreign Application Priority Data**

Feb. 1, 2017 (KR) 30-2017-0004858

(51) **LOC (11) Cl.** **16-05**

(52) **U.S. Cl.**
USPC **D16/219**

(58) **Field of Classification Search**
USPC D16/200–220, 131, 250, 163; D8/16,
D8/373

CPC ... G02B 7/02; G02B 7/04; G02B 7/14; G02B
3/14; G03B 17/00; G03B 17/02; G03B
17/56; G03B 17/04; G03B 17/14; G03B
15/03; G03B 9/08; H04N 5/2251; H04N
5/2252; H04N 5/2253; H04N 5/2254;
H04N 7/00; H04N 2101/00; F16M 13/00
See application file for complete search history.

(56) **References Cited**

U.S. PATENT DOCUMENTS

- 3,435,136 A * 3/1969 Schneider H04N 5/2251
348/184
- D338,479 S * 8/1993 Takahashi D16/134
- D416,926 S * 11/1999 Watanabe D16/134
- D417,681 S * 12/1999 Hayashi D16/134
- D446,232 S * 8/2001 Watanabe D16/134

- D573,625 S * 7/2008 Watanabe D16/134
- D697,961 S * 1/2014 Tanifuji D16/202
- D702,749 S * 4/2014 Kim D16/219

(Continued)

OTHER PUBLICATIONS

Samyang goes Premium with MF lens range, published Sep. 12, 2016 [online], [retrieved Feb. 27, 2018], Available from Internet, URL: <<https://www.dpreview.com/news/9107343366/samyang-premium-mf-lens-range>>.*

(Continued)

Primary Examiner — Barbara Fox
Assistant Examiner — Mary C Ramirez
(74) *Attorney, Agent, or Firm* — SoCal IP Law Group
LLP; Jonathan Pearce

(57) **CLAIM**

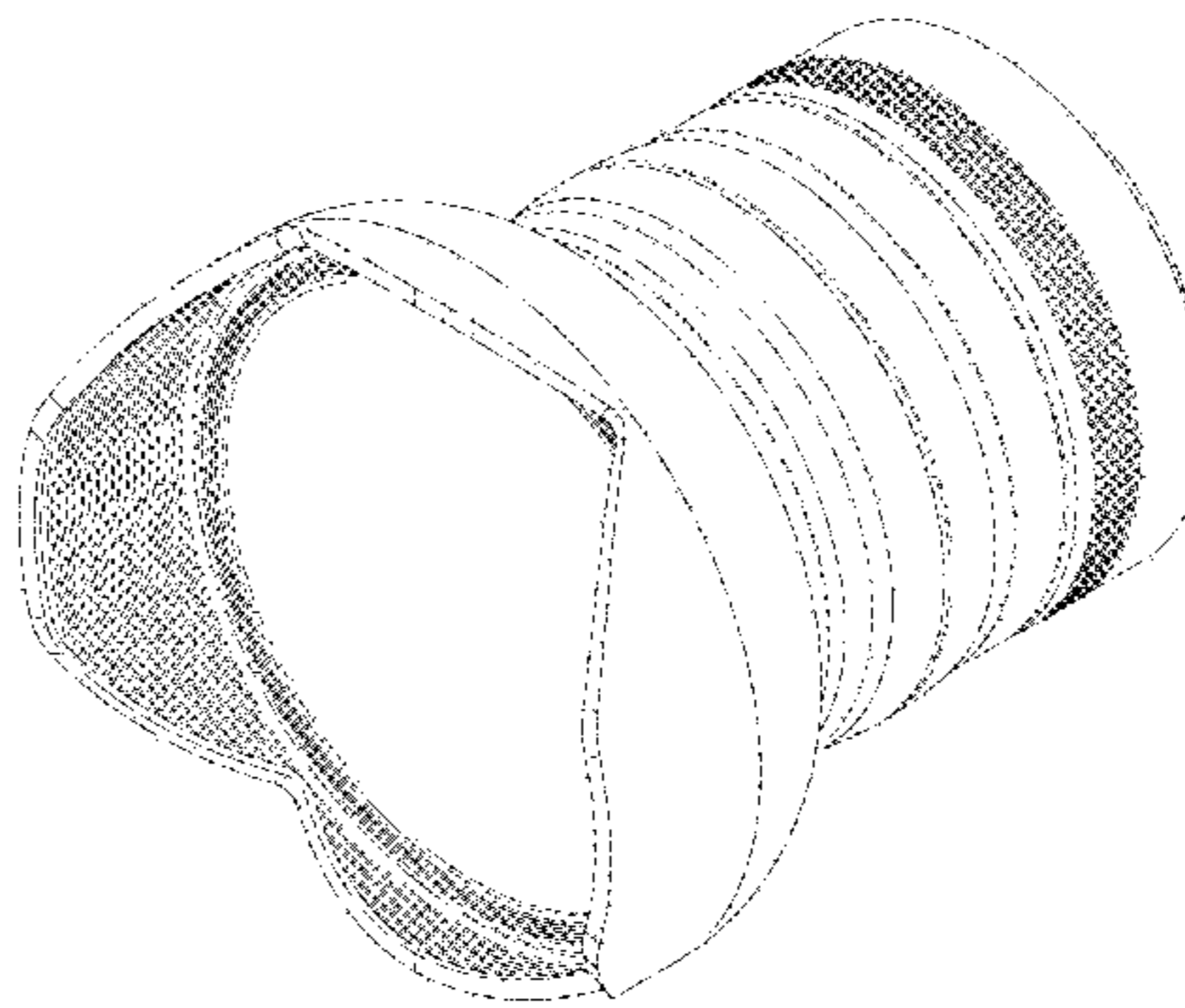
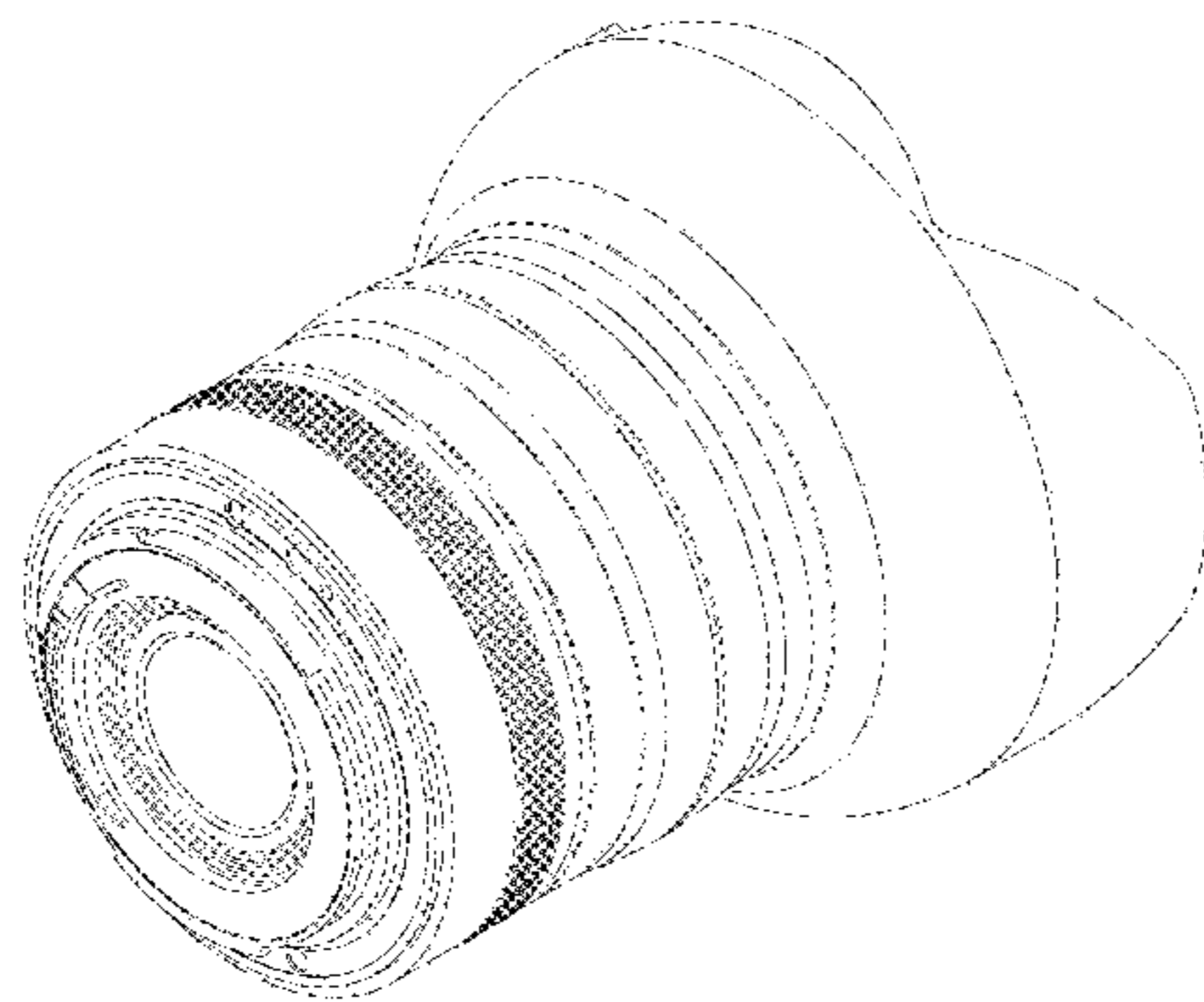
The ornamental design for an interchangeable lens for camera, as shown and described.

DESCRIPTION

A portion of the disclosure of this patent document contains material which is subject to copyright protection. The copyright owner has no objection to the facsimile reproduction by anyone of the patent document or the patent disclosure, as it appears in the Patent and Trademark Office patent file or records, but otherwise reserves all copyright rights whatsoever.

FIG. 1 is a front, right perspective view of an interchangeable lens for a camera showing the new design;
FIG. 2 is a front view thereof;
FIG. 3 is a rear view thereof;
FIG. 4 is a left side view thereof;
FIG. 5 is a right side view thereof
FIG. 6 is a top plan view thereof;
FIG. 7 is a bottom view thereof; and,
FIG. 8 is a rear, left perspective view thereof.

1 Claim, 8 Drawing Sheets



(56)

References Cited

U.S. PATENT DOCUMENTS

D702,750 S * 4/2014 Yoon D16/219
D702,751 S * 4/2014 Yoon D16/219
D733,785 S * 7/2015 Mochinushi D16/219
D737,357 S * 8/2015 Park D16/219
D737,358 S * 8/2015 Park D16/219
D741,936 S * 10/2015 Chu D16/219
D741,938 S * 10/2015 Lee D16/219
D743,471 S * 11/2015 Oh D16/134
2011/0050974 A1* 3/2011 Nakai H04N 5/2251
348/333.01
2012/0140114 A1* 6/2012 Yamaura G03B 17/02
348/373
2013/0038769 A1* 2/2013 Xiaoping H04N 5/2251
348/333.01
2013/0195437 A1* 8/2013 Chamberlayne F16M 11/041
396/420
2016/0309076 A1* 10/2016 Steinberg H04N 5/23216

OTHER PUBLICATIONS

Good Design Exchangeable Lens, first sold Oct. 2016 [online],
[retrieved Feb. 27, 2018], Available from Internet, URL: <http://gd.kidp.or.kr/eng/product/eng_product_view.asp?idx=23367>.*
Samyang Releases 5 New Full-Frame Lenses for Sony E-Mount,
published Dec. 16, 2013 [online], [retrieved Feb. 27, 2018], Avail-
able from Internet, URL: <<http://news.softpedia.com/news/Samyang-Releases-5-New-Full-Frame-Lenses-for-Sony-E-Mount-409447.shtml>>.*

* cited by examiner

FIG. 1

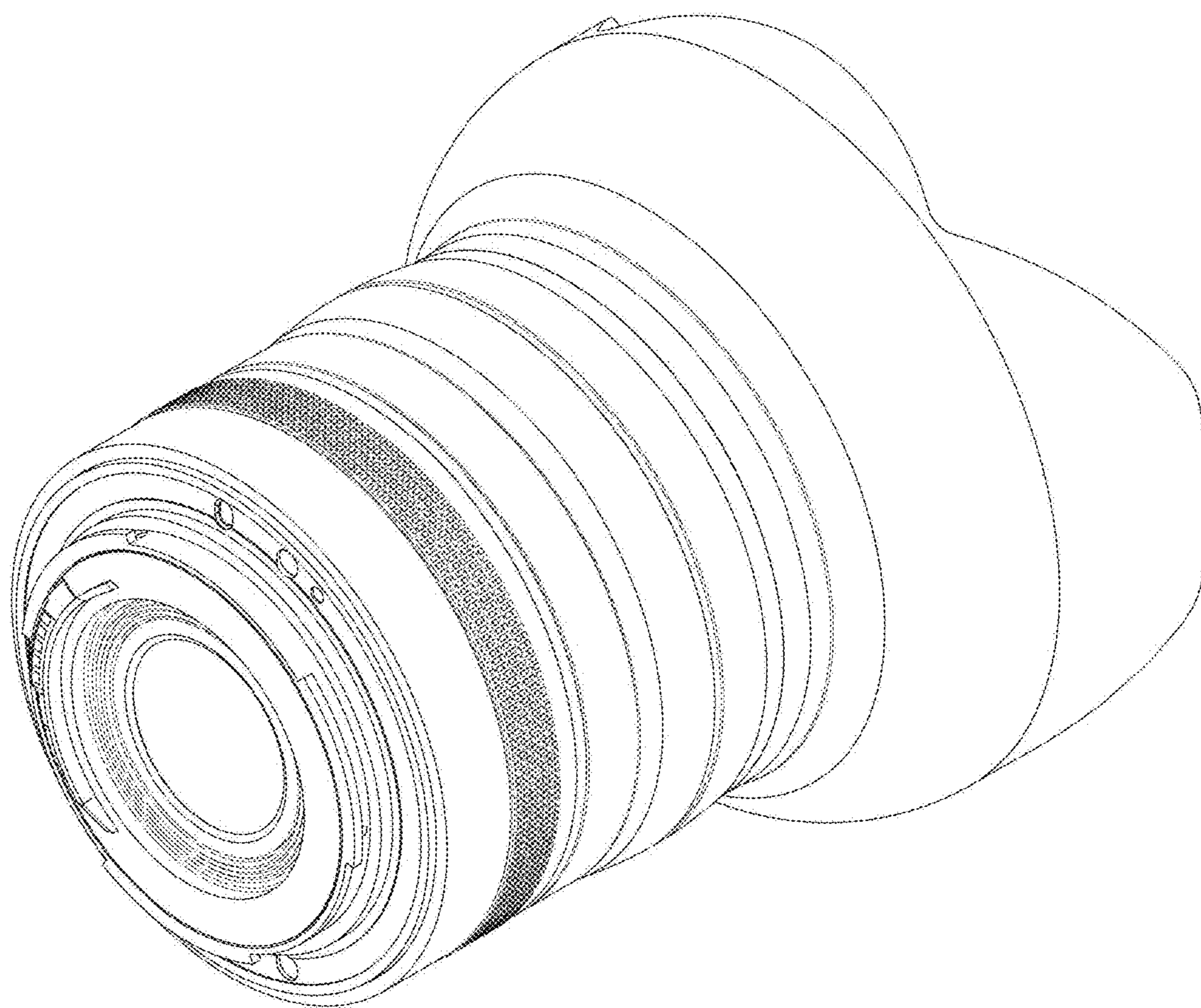


FIG. 2

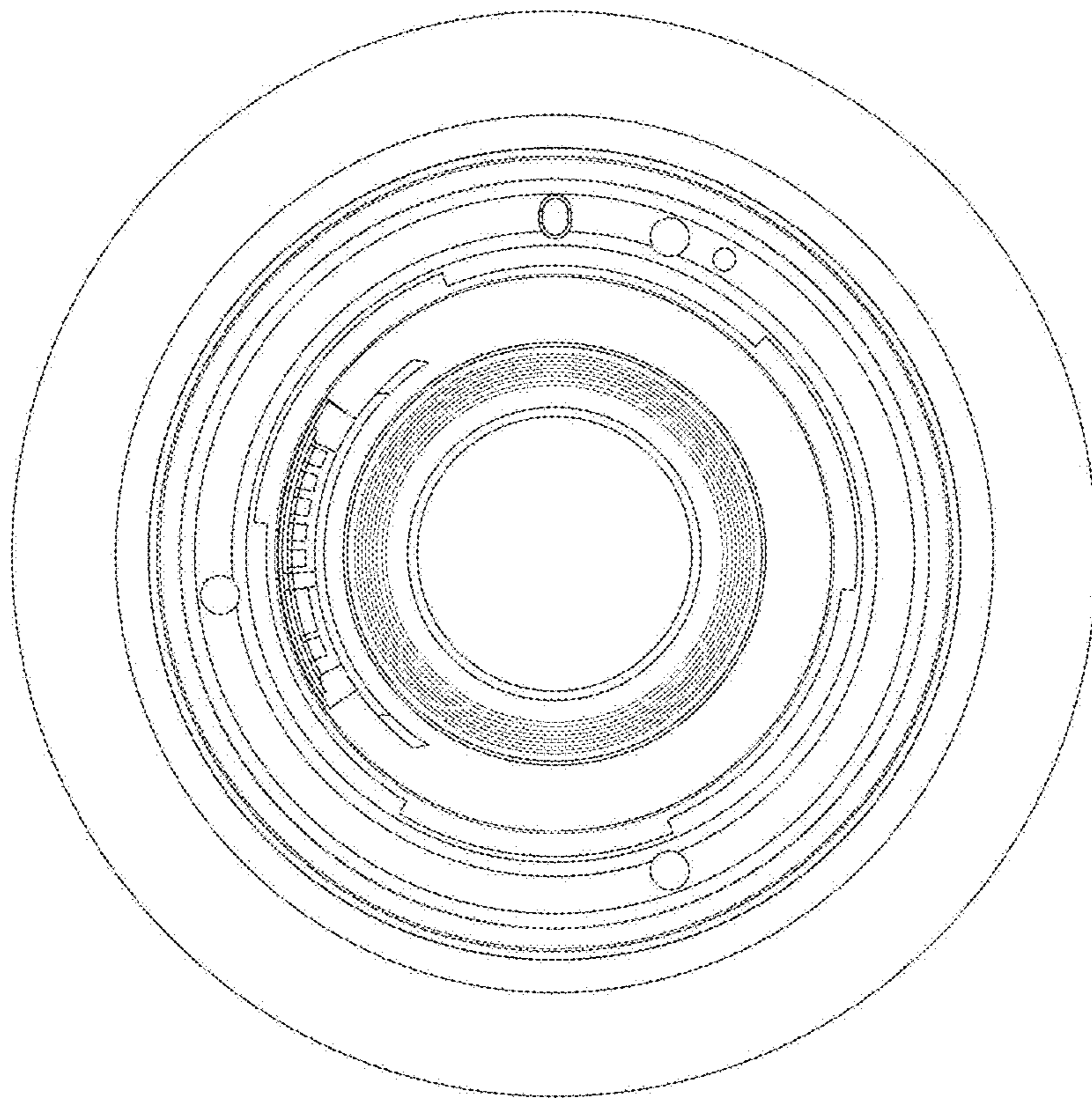


FIG. 3

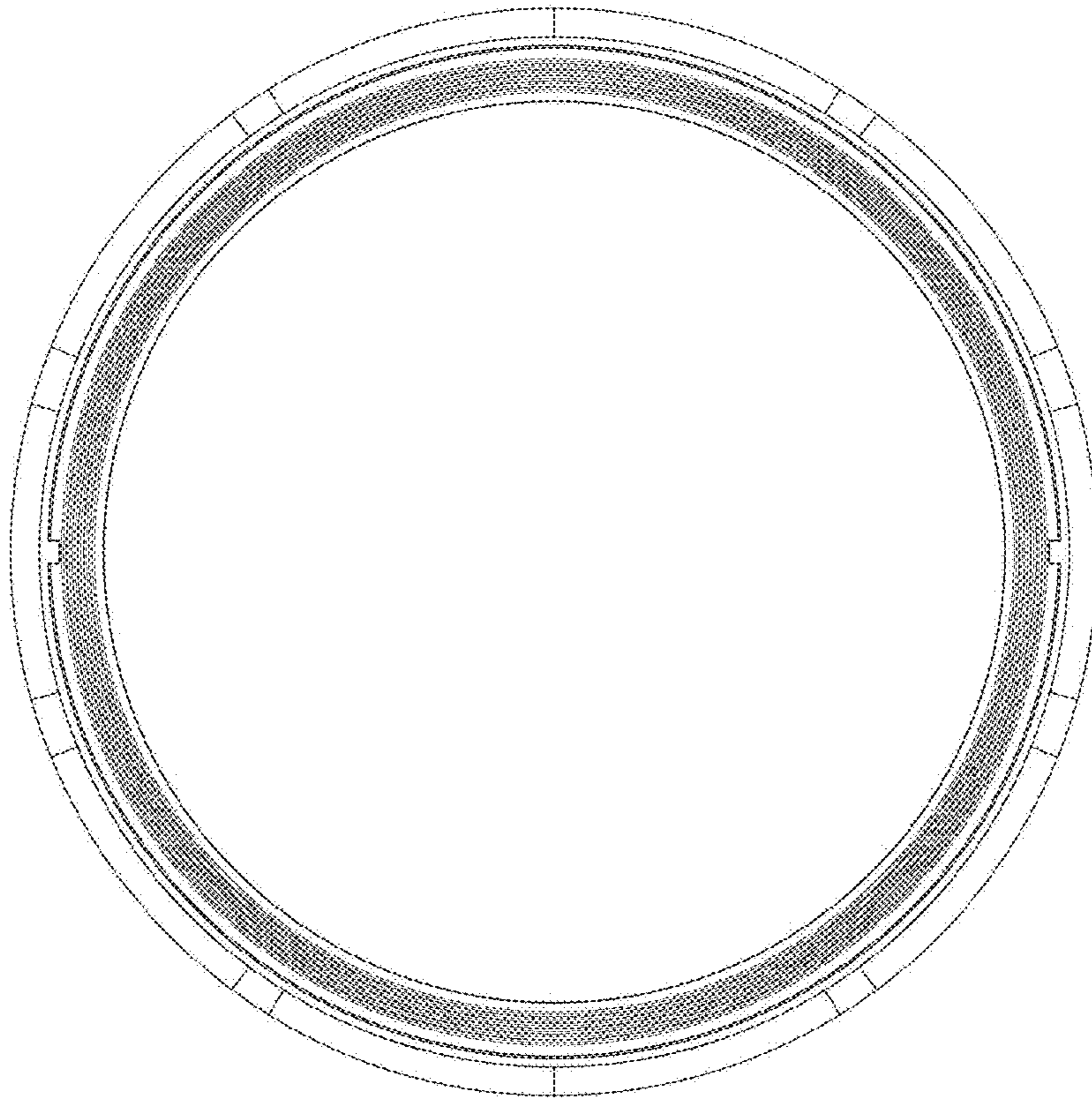


FIG. 4

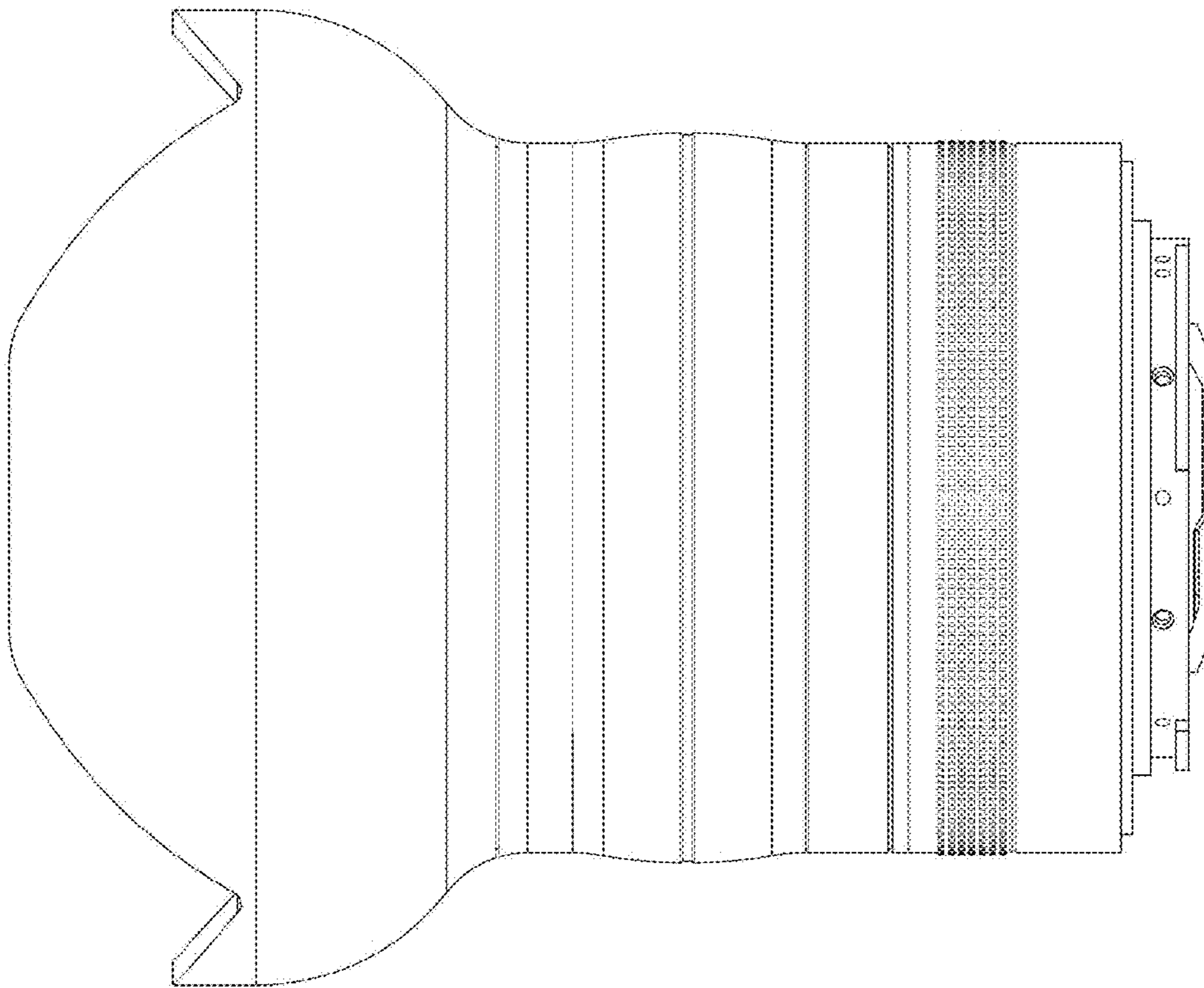


FIG. 5

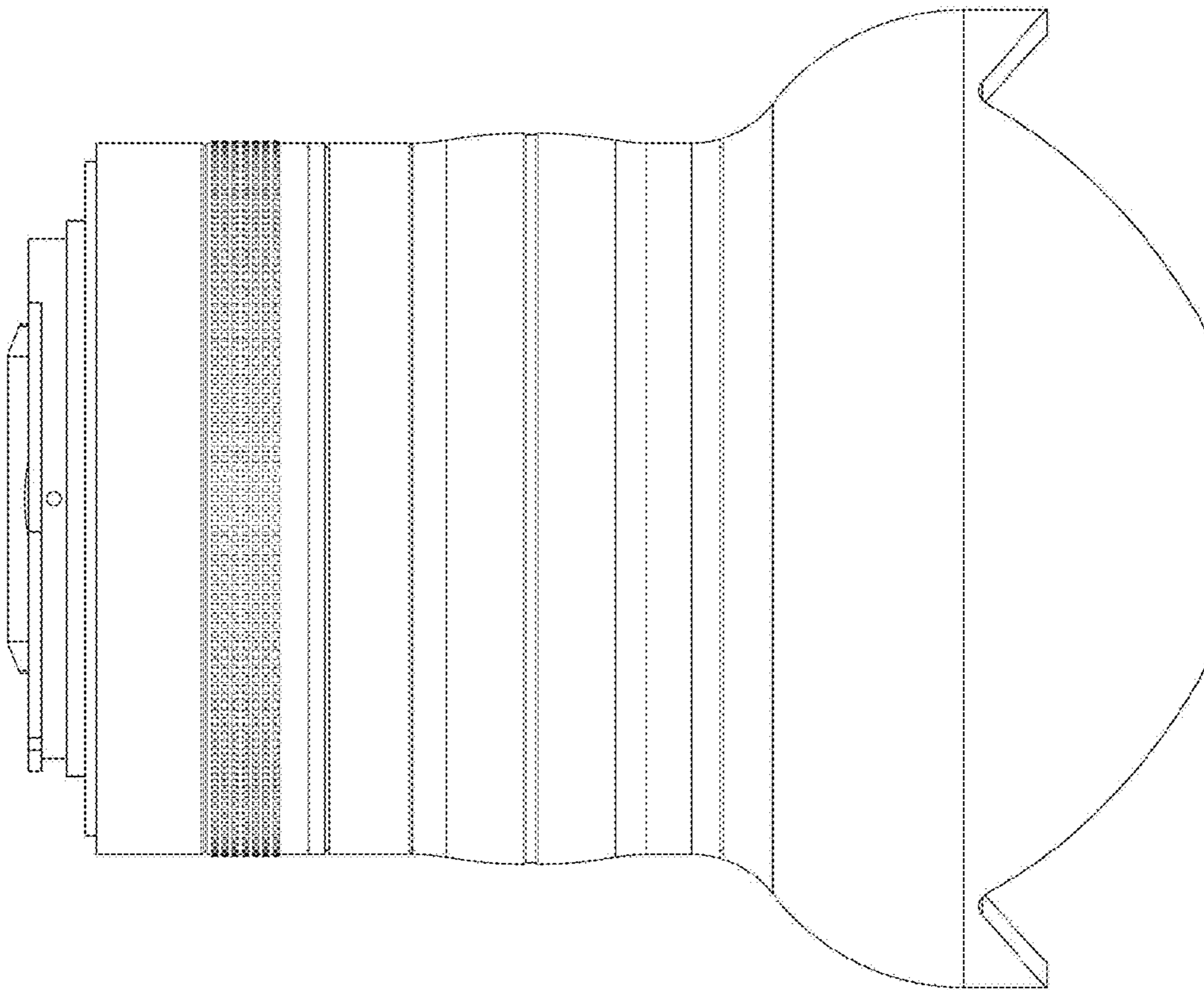


FIG. 6

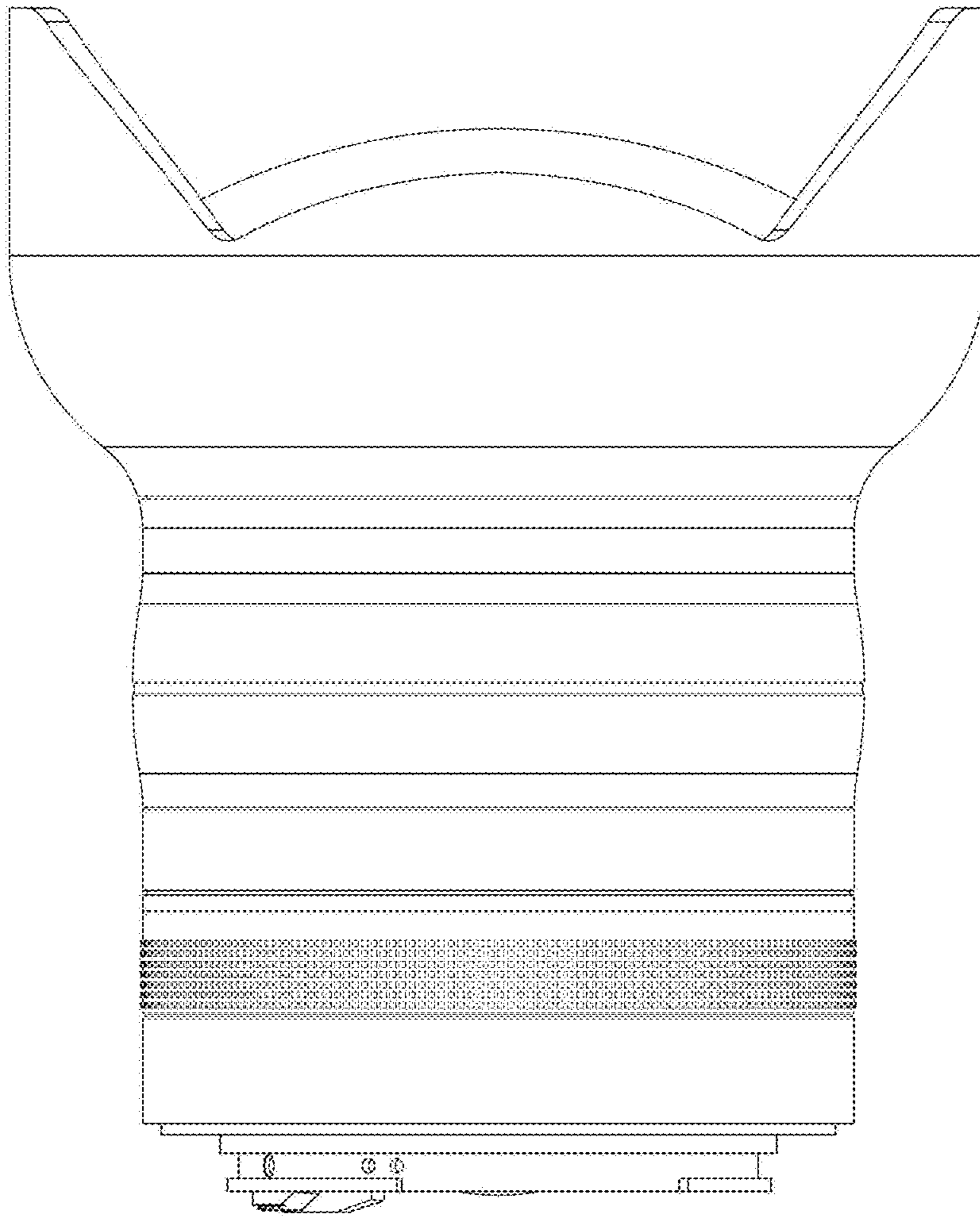


FIG. 7

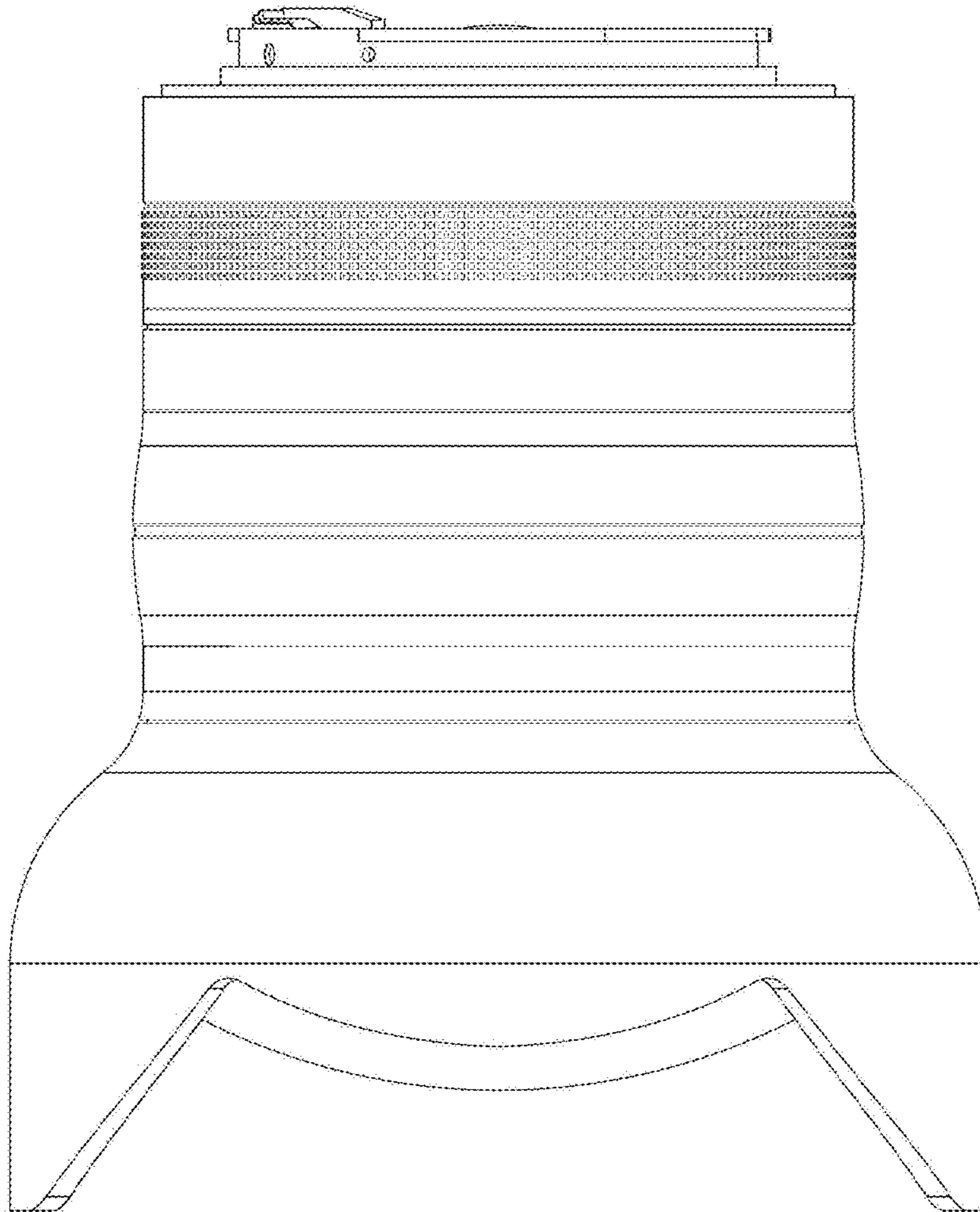


FIG. 8

