



US00D822750S

(12) **United States Design Patent**  
**Yoon**

(10) **Patent No.:** **US D822,750 S**  
(45) **Date of Patent:** **\*\* Jul. 10, 2018**

(54) **INTERCHANGEABLE LENS FOR CAMERA**

(71) Applicant: **SAMYANG OPTICS CO., LTD.**,  
Gyeongsangnam-do (KR)

(72) Inventor: **Soo Won Yoon**, Gyeongsangnam-do  
(KR)

(73) Assignee: **Samyang Optics Co., Ltd.**,  
Gyeongsangnam-do (KR)

(\*\*) Term: **15 Years**

(21) Appl. No.: **29/597,391**

(22) Filed: **Mar. 16, 2017**

(30) **Foreign Application Priority Data**

Feb. 1, 2017 (KR) ..... 30-2017-0004857

(51) **LOC (11) Cl.** ..... **16-05**

(52) **U.S. Cl.**  
USPC ..... **D16/219**

(58) **Field of Classification Search**  
USPC ..... D16/200-220, 131, 250, 163; D8/16,  
D8/373

CPC ... G02B 7/02; G02B 7/04; G02B 7/14; G02B  
3/14; G03B 17/00; G03B 17/02; G03B  
17/56; G03B 17/04; G03B 17/14; G03B  
15/03; G03B 9/08; H04N 5/2251; H04N  
5/2252; H04N 5/2253; H04N 5/2254;  
H04N 7/00; H04N 2101/00; F16M 13/00  
See application file for complete search history.

(56) **References Cited**

**U.S. PATENT DOCUMENTS**

3,435,136 A \* 3/1969 Schneider ..... H04N 5/2251  
348/184  
D238,902 S \* 2/1976 Hartwein ..... D16/206  
D552,147 S \* 10/2007 Tajima ..... D16/134  
D684,208 S \* 6/2013 Lee ..... D16/219

D697,543 S \* 1/2014 Kim ..... D16/219  
D698,842 S \* 2/2014 Hasuda ..... D16/219  
D699,773 S \* 2/2014 Hasuda ..... D16/134  
D726,240 S \* 4/2015 Oikawa ..... D16/134  
D737,359 S \* 8/2015 Jung ..... D16/219  
D737,360 S \* 8/2015 Jung ..... D16/219  
D741,936 S \* 10/2015 Chu ..... D16/219  
D763,942 S \* 8/2016 Yoon ..... D16/219  
D783,078 S \* 4/2017 Kim ..... D16/219  
2006/0274184 A1 \* 12/2006 Hayashi ..... H04N 5/2251  
348/333.06

(Continued)

**OTHER PUBLICATIONS**

Samyang Optics Launches the Premium Photo Lens—XP 50mm  
F1.2, published Feb. 20, 2018 [online], [retrieved Feb. 27, 2018],  
Available from Internet, URL: <<http://www.canonrumors.com/forum/index.php?topic=34539.0>>.\*

(Continued)

*Primary Examiner* — Barbara Fox

*Assistant Examiner* — Mary C Ramirez

(74) *Attorney, Agent, or Firm* — SoCal IP Law Group  
LLP; Jonathan Pearce

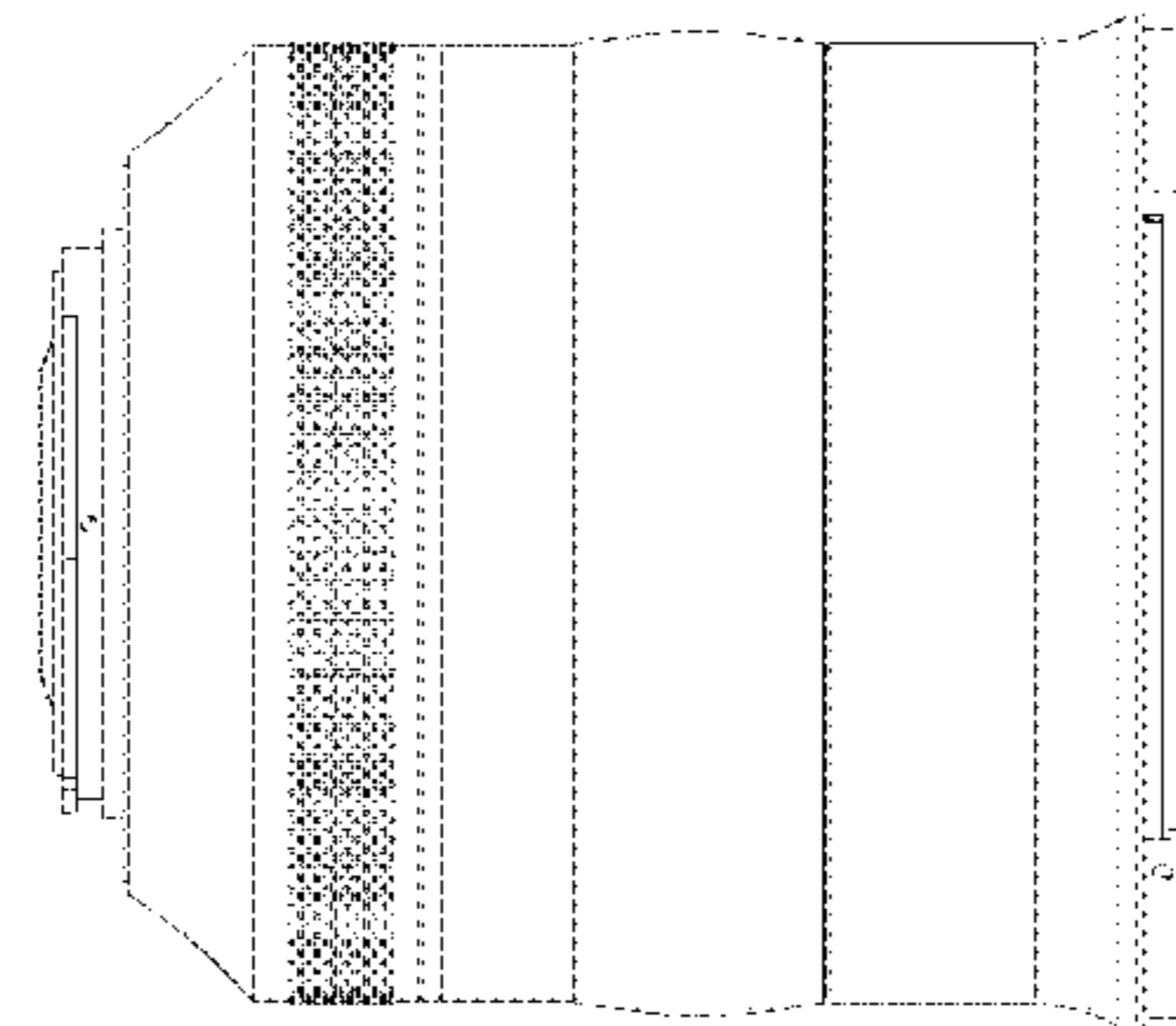
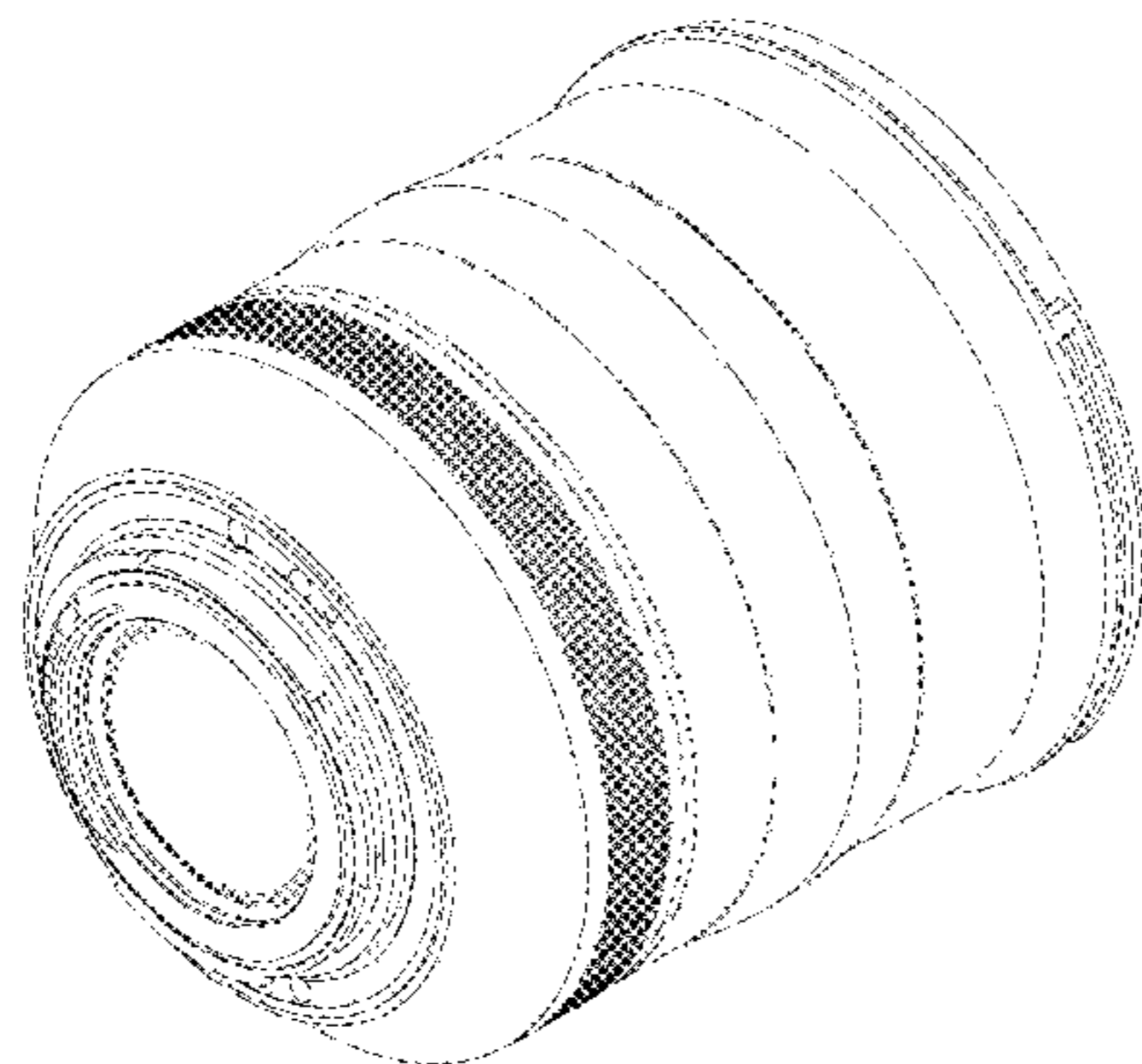
(57) **CLAIM**

The ornamental design for an interchangeable lens for  
camera, as shown and described.

**DESCRIPTION**

FIG. 1 is a front, right perspective view of an interchange-  
able lens for a camera showing the new design;  
FIG. 2 is a front view thereof;  
FIG. 3 is a rear view thereof;  
FIG. 4 is a left side view thereof;  
FIG. 5 is a right side view thereof  
FIG. 6 is a top plan view thereof;  
FIG. 7 is a bottom view thereof; and,  
FIG. 8 is a rear, left perspective view thereof.

**1 Claim, 8 Drawing Sheets**



(56)

**References Cited**

U.S. PATENT DOCUMENTS

2007/0182839 A1\* 8/2007 Ogino ..... H04N 5/2251  
 348/333.01  
 2010/0060781 A1\* 3/2010 Yumiki ..... G02B 7/102  
 348/345  
 2010/0061716 A1\* 3/2010 Iyoda ..... G03B 17/14  
 396/535  
 2011/0050974 A1\* 3/2011 Nakai ..... H04N 5/2251  
 348/333.01  
 2011/0164172 A1\* 7/2011 Shintani ..... G03B 9/36  
 348/362  
 2012/0140114 A1\* 6/2012 Yamaura ..... G03B 17/02  
 348/373  
 2013/0271860 A1\* 10/2013 Arakawa ..... G02B 7/04  
 359/823  
 2015/0098017 A1\* 4/2015 Takagi ..... H04N 5/2254  
 348/374  
 2016/0309076 A1\* 10/2016 Steinberg ..... H04N 5/23216  
 2016/0309092 A1\* 10/2016 Feinberg ..... H04N 5/23216

OTHER PUBLICATIONS

Samyang unveils 'premium' XP 50mm F1.2 lens for 50MP sensors and 8K capture, published Feb. 20, 2018 [online], [retrieved Feb. 27, 2018], Available from Internet, URL: <<https://www.dpreview.com/news/5385722015/samyang-unveils-premium-xp-50mm-f1-2-lens-for-50mp-sensors-and-8k-capture>>.\*

\* cited by examiner

FIG. 1

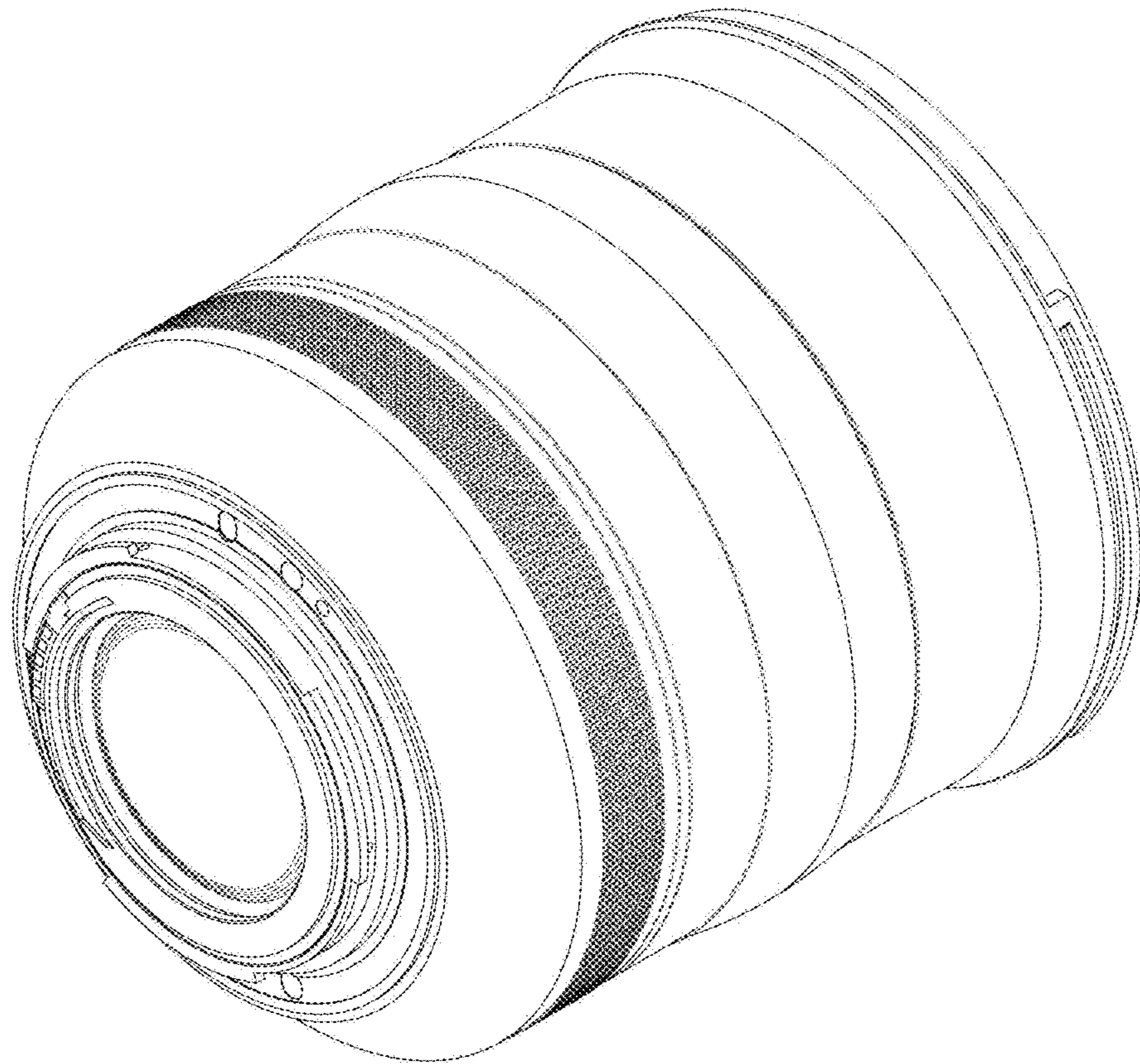


FIG. 2

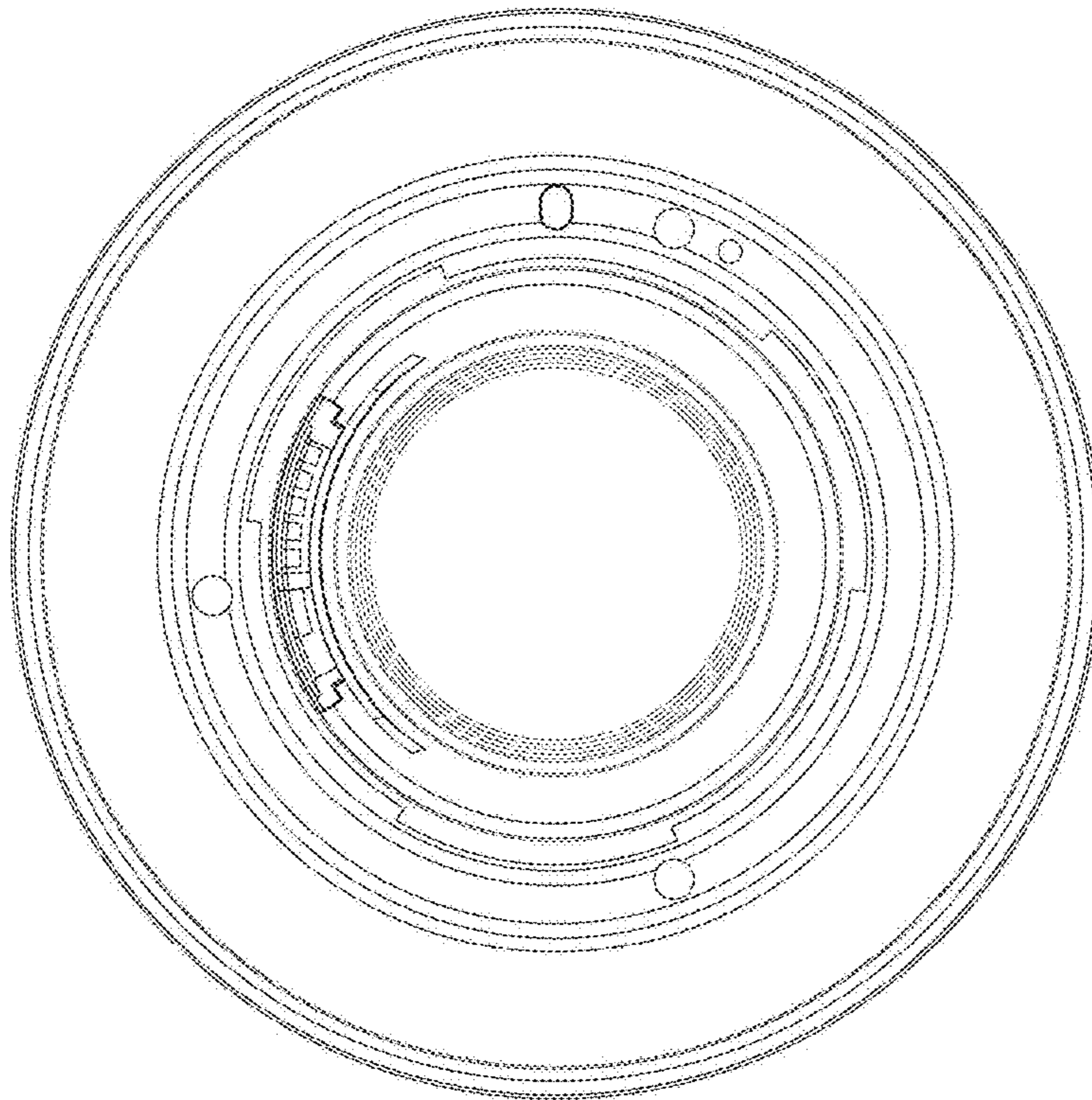


FIG. 3

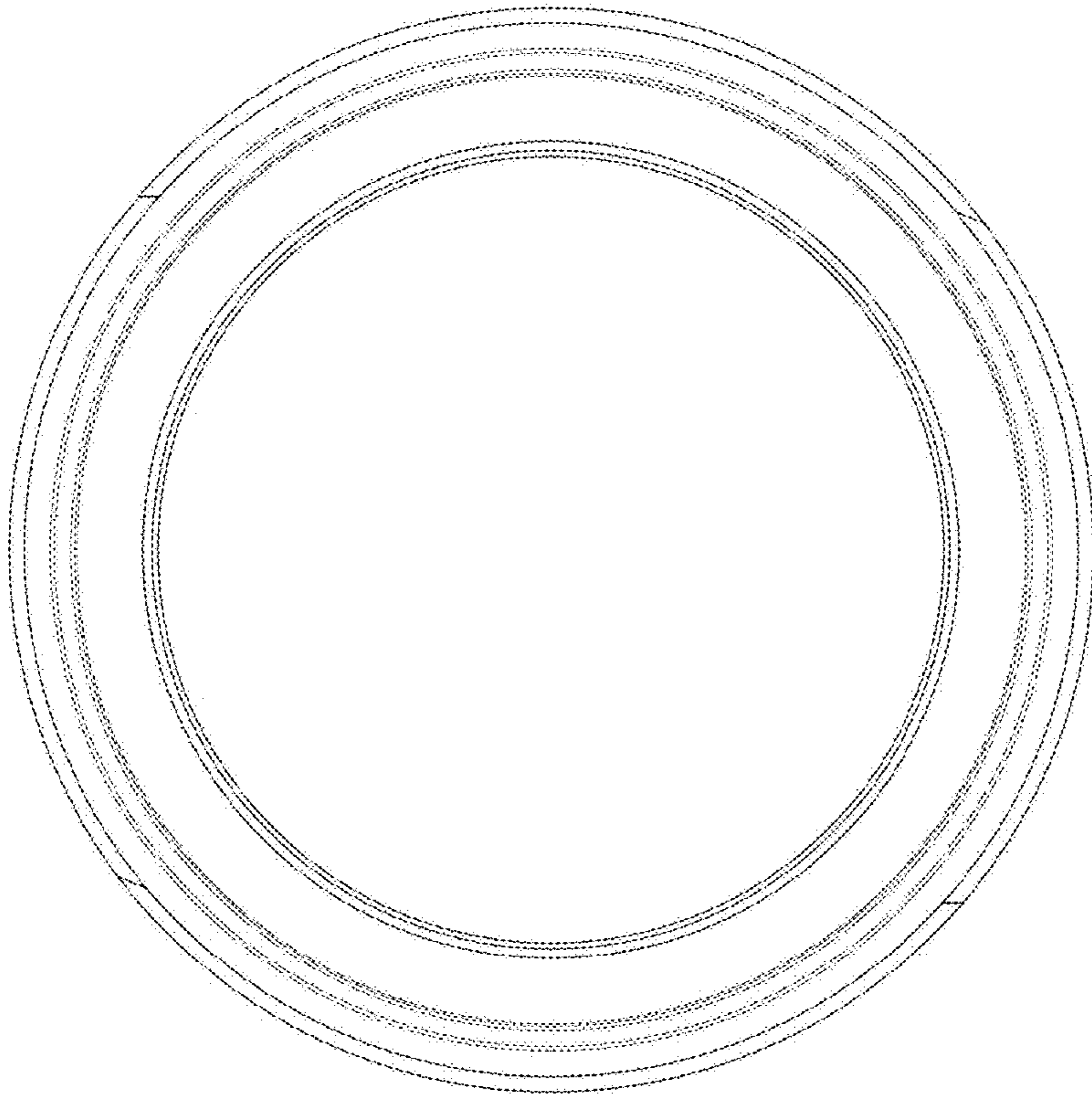


FIG. 4

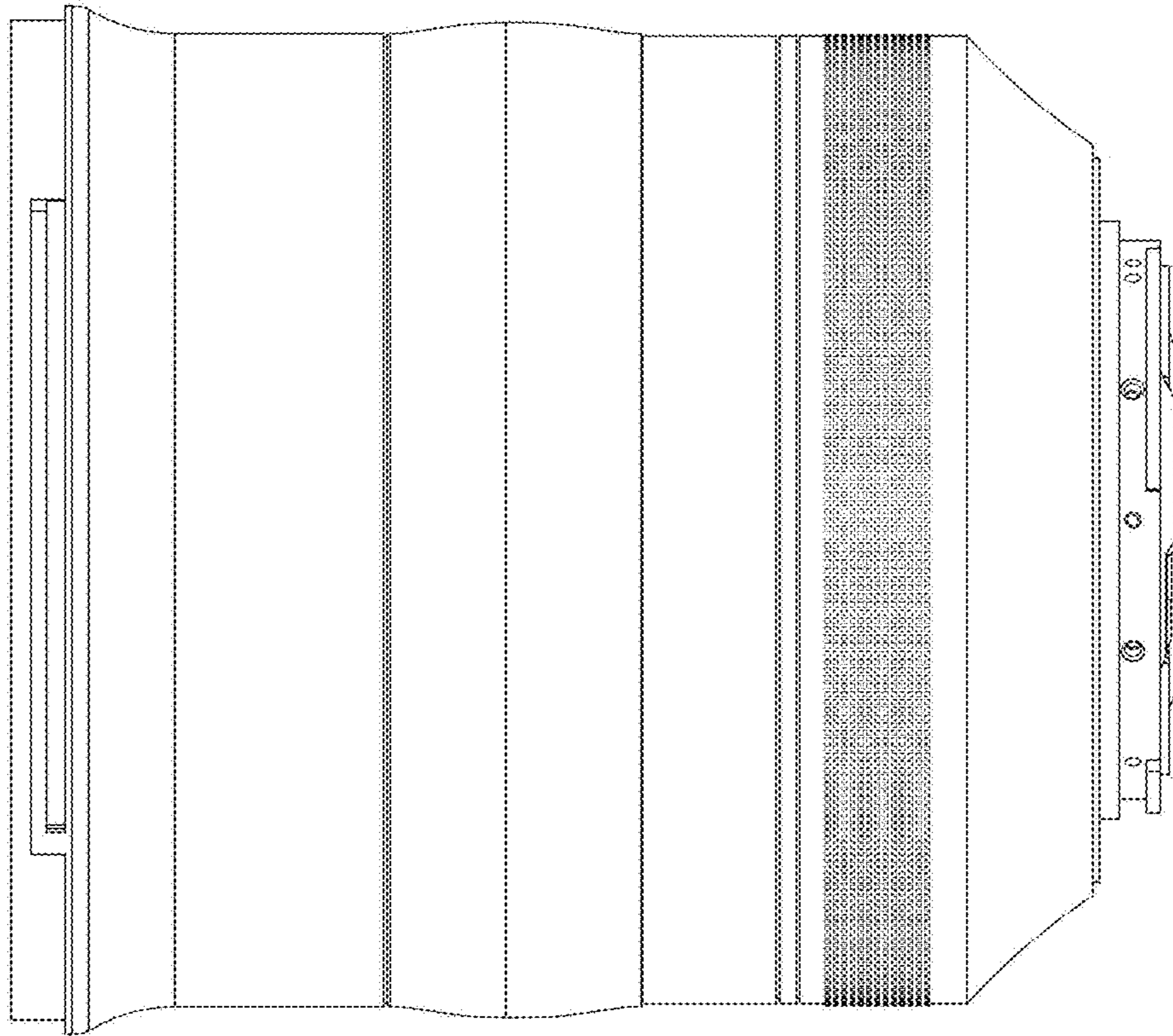


FIG. 5

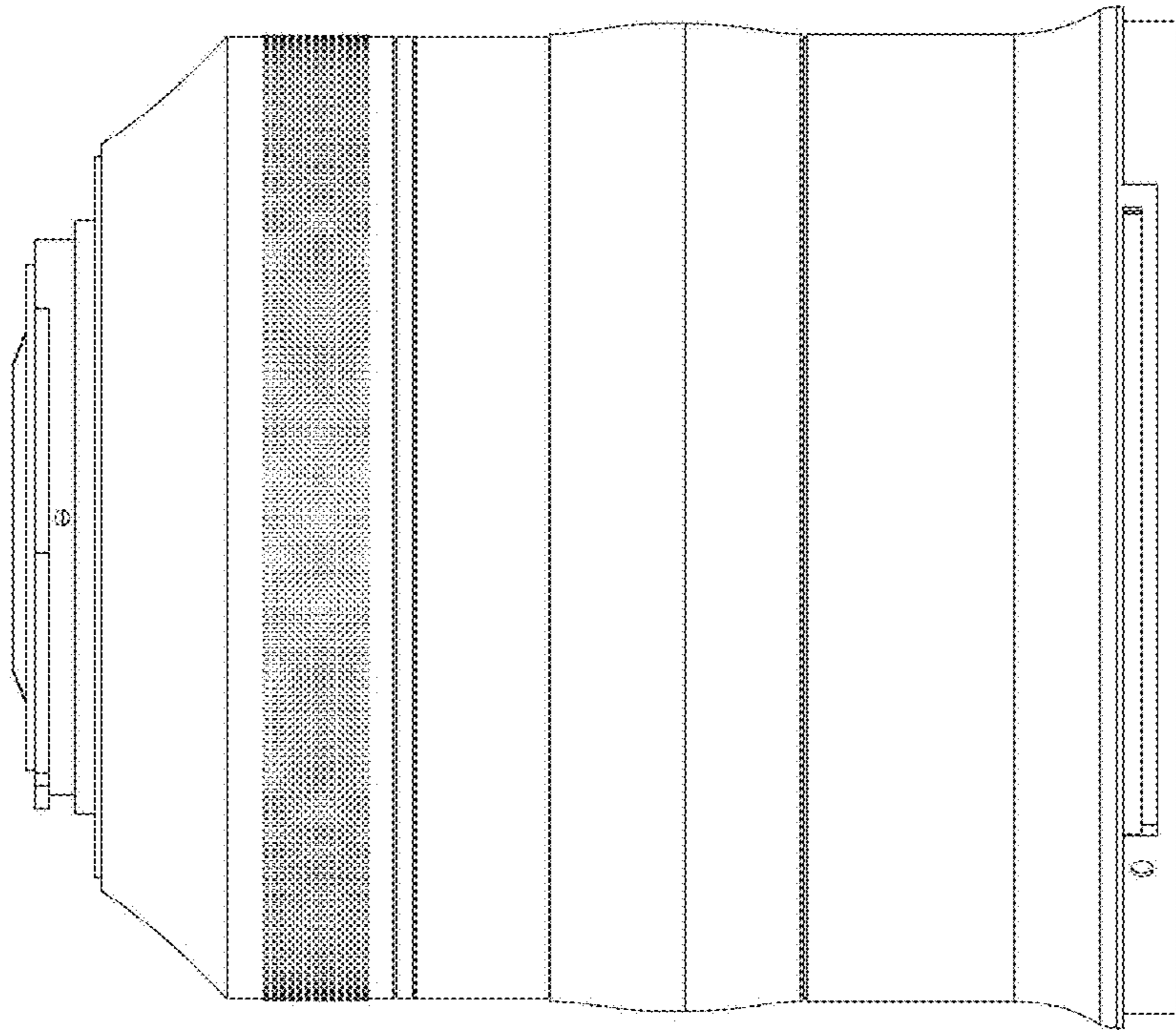


FIG. 6

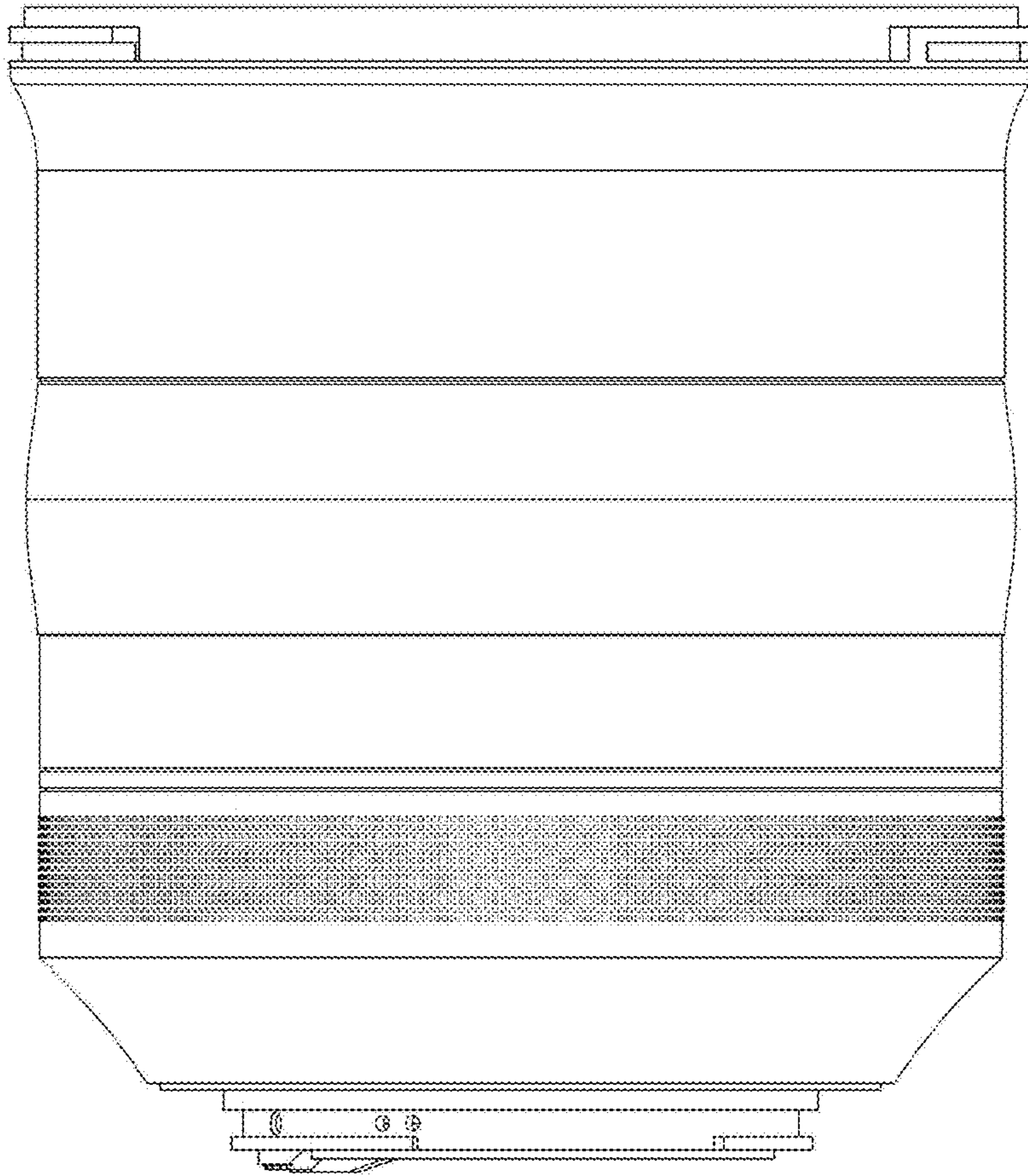




FIG. 7

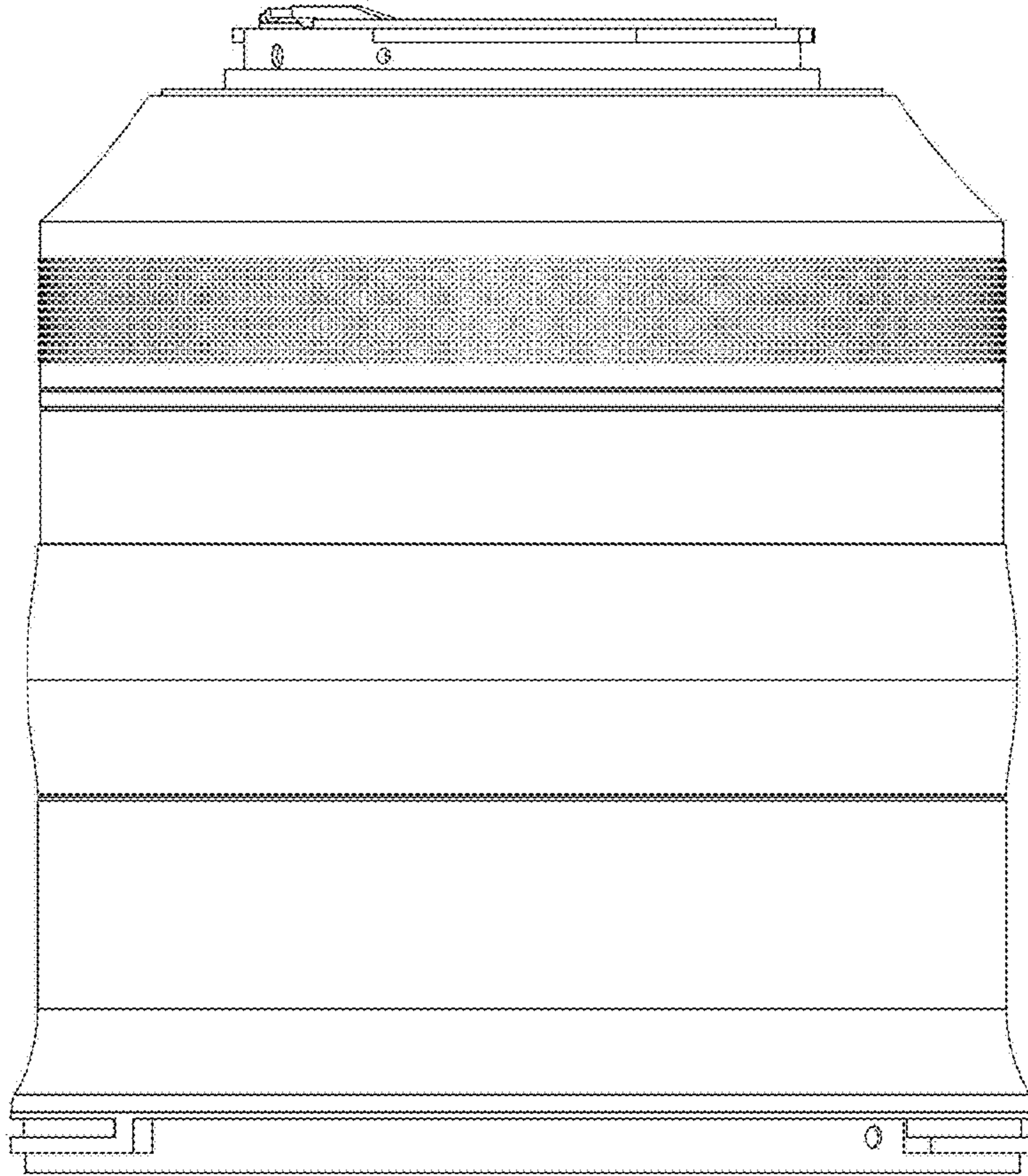


FIG. 8

