



US00D822749S

(12) **United States Design Patent** (10) **Patent No.:** **US D822,749 S**
Jacob et al. (45) **Date of Patent:** **** Jul. 10, 2018**

(54) **CAMERA**

(71) Applicant: **GOOGLE LLC**, Mountain View, CA (US)
(72) Inventors: **Rochus Jacob**, San Francisco, CA (US); **Francois Rybarczyk**, San Francisco, CA (US); **Adam Scott Kilgore**, San Rafael, CA (US); **Adam Duckworth Mittleman**, Redwood City, CA (US); **Jason Evans Goulden**, Los Gatos, CA (US)
(73) Assignee: **GOOGLE LLC**, Mountain View, CA (US)

(**) Term: **15 Years**

(21) Appl. No.: **29/530,172**

(22) Filed: **Jun. 14, 2015**

Related U.S. Application Data

(63) Continuation of application No. 14/738,880, filed on Jun. 13, 2015, now Pat. No. 9,388,934.

(51) **LOC (11) Cl.** **16-05**

(52) **U.S. Cl.**
USPC **D16/219**

(58) **Field of Classification Search**
USPC D16/200, 202–206, 212, 214–216, 218, D16/219, 227, 229, 239, 240, 242, 244;
(Continued)

(56) **References Cited**

U.S. PATENT DOCUMENTS

777,996 A 12/1904 Applegate
D134,016 S 10/1942 Du Mais
(Continued)

FOREIGN PATENT DOCUMENTS

DE 9407862 U1 9/1995
DE 202012101588 7/2012
WO WO 2013/133461 9/2013

OTHER PUBLICATIONS

Wasserstein Nest Cam Wall Mount review. [online] Published Sep. 13, 2016. Retrieved from URL: <http://the-gadgeteer.com/2016/09/13/wasserstein-nest-cam-wall-mount-review/>, 7 pgs.

(Continued)

Primary Examiner — Philip S Hyder
Assistant Examiner — Ramzi Almatrahi
(74) *Attorney, Agent, or Firm* — Morgan, Lewis & Bockius LLP

(57) **CLAIM**

The ornamental design for a camera, as shown and described.

DESCRIPTION

The present application is related to U.S. patent application Ser. No. 29/530,171, entitled “A Stand Assembly,” filed on Jun. 14, 2015; U.S. patent application Ser. No. 29/530,170, entitled “A Receiving Element of a Stand Assembly,” filed on Jun. 14, 2015; and U.S. patent application Ser. No. 29/530,169, entitled “A Base Assembly,” filed on Jun. 14, 2015, each of which is hereby incorporated by reference in its entirety.

FIG. 1 is a perspective view of a camera showing our new design.

FIG. 2 is a side view of the camera shown in FIG. 1.

FIG. 3 is a front elevation view of the camera shown in FIG. 1.

FIG. 4 is a rear elevation view of the camera shown in FIG. 1.

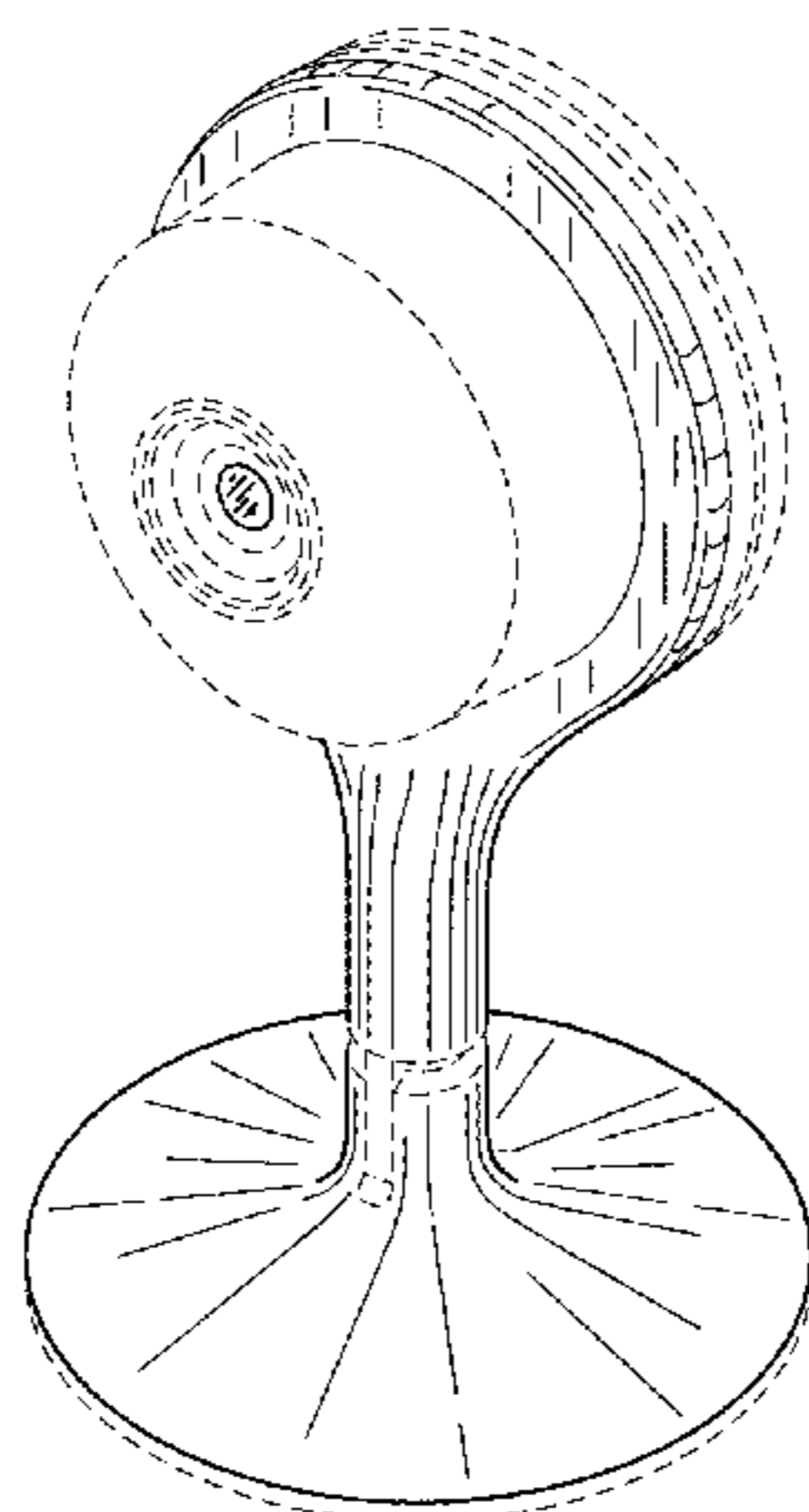
FIG. 5 is a top plan view of the camera shown in FIG. 1.

FIG. 6 is a perspective view of the camera, shown with a mount structure disclosed in broken lines to illustrate an environment; and,

FIG. 7 is a bottom plan view of the camera shown in FIG. 6.

The broken lines depicting portions of a camera in the above described figures form no part of the claimed design. The

(Continued)



broken lines showing a mounting structure in FIG. 6 represent environmental structures that form no part of the claimed design.

1 Claim, 7 Drawing Sheets

(58) Field of Classification Search

USPC D25/16; 52/27.5, 29, 36.1;
348/373-376; 396/2, 3, 5, 419, 424, 427,
396/429, 535, 539-541; 455/575.3
CPC G03B 15/00; G03B 15/03; G03B 15/06;
G03B 17/02; G03B 17/04; G03B 17/53;
G03B 17/56; G03B 19/04; H04N 5/2251;
H04N 5/2252; H04N 5/2253; H04N
5/2254; H04N 2101/00

See application file for complete search history.

(56) References Cited

U.S. PATENT DOCUMENTS

D162,989 S	4/1951	Rizzatti	
2,833,849 A	5/1958	Abel	
D191,141 S	8/1961	Stevenson	
3,138,661 A	6/1964	Grashow	
3,428,286 A	2/1969	Del Pesco	
3,626,421 A	12/1971	Santana et al.	
D227,599 S	7/1973	Wisgin	
D262,041 S	11/1981	Schmidt	
4,336,916 A	6/1982	Blanchard	
D275,868 S	10/1984	Ake	
D290,662 S	7/1987	Basil et al.	
4,739,353 A	4/1988	Heuer et al.	
4,804,984 A	2/1989	Heuer et al.	
4,953,698 A	9/1990	Gregorich et al.	
D311,933 S	11/1990	Adams	
D359,052 S	6/1995	Nagele et al.	
D367,418 S	2/1996	Lathrop	
5,523,934 A	6/1996	Dworman et al.	
D371,508 S	7/1996	Sagol	
5,597,149 A	1/1997	Hodge	
5,649,256 A	7/1997	Wen	
D382,287 S	8/1997	Palmer	
5,673,829 A	10/1997	Hartshorn	
5,738,321 A	4/1998	Moriyasu	
5,764,194 A	6/1998	Brown	
6,042,080 A	3/2000	Shepherd	
D429,998 S	8/2000	Snell	
D440,243 S	4/2001	Jacquet	
D445,819 S	7/2001	Backs et al.	
D450,962 S	11/2001	Hundley	
D465,188 S	11/2002	McCoy et al.	
6,474,471 B1	11/2002	Miyake	
D490,694 S	6/2004	Levine-Umans	
D498,624 S	11/2004	Chen	
D512,372 S	12/2005	Sakai	
7,126,556 B1	10/2006	Wang	
D537,668 S	3/2007	Murray	
D537,856 S	3/2007	Tsao	
D545,857 S	7/2007	Yip et al.	
D550,488 S	9/2007	Nip et al.	
7,298,969 B2	11/2007	Elberbaum	
D558,250 S	12/2007	Hsia	
7,303,171 B1	12/2007	Chen	
D565,618 S	4/2008	Yip et al.	
D569,713 S	5/2008	Sandidge	
D573,622 S *	7/2008	Fisher D16/202	
D575,316 S *	8/2008	Liu D16/202	
D577,527 S	9/2008	Yu	
7,559,518 B2	7/2009	Ye	

D600,728 S	9/2009	Braganca et al.	
D602,967 S	10/2009	Hui	
D613,292 S	4/2010	Carver	
D621,077 S	8/2010	Fleischman	
D636,174 S	4/2011	Smith	
D636,513 S	4/2011	Furtsch	
D638,461 S	5/2011	Kim et al.	
8,072,536 B1	12/2011	Campbell	
D662,957 S	7/2012	Stubel	
D672,225 S	12/2012	Virnig	
D688,289 S	8/2013	Hodgson	
8,511,625 B2	8/2013	Stefan	
8,596,890 B2	12/2013	Yim et al.	
D700,504 S	3/2014	Blocker	
D719,205 S *	12/2014	Matsumoto D16/202	
D719,605 S	12/2014	Dordick	
8,902,355 B2	12/2014	Dudkowski	
D721,396 S	1/2015	Gustaveson, II	
D726,806 S	4/2015	Demars	
D726,807 S	4/2015	DeMars	
8,998,512 B1	4/2015	Celler	
D729,296 S *	5/2015	Shelton D16/202	
9,057,934 B2	6/2015	Lellky	
D734,801 S *	7/2015	Yang D16/202	
D740,871 S *	10/2015	Moon D16/203	
D742,954 S *	11/2015	Simonelli D16/203	
D746,350 S	12/2015	Li	
D748,709 S *	2/2016	Jeong D16/202	
9,309,012 B1	4/2016	Kilgore et al.	
D755,880 S	5/2016	Luo et al.	
9,327,851 B1	5/2016	Kilgore et al.	
9,377,157 B1	6/2016	Kilgore et al.	
9,388,934 B1	7/2016	Kilgore et al.	
9,415,921 B2	8/2016	Marchetti et al.	
9,423,672 B1	8/2016	Kilgore et al.	
D775,682 S	1/2017	Ou et al.	
D775,684 S	1/2017	Jacob et al.	
2001/0020975 A1	9/2001	Kerai et al.	
2003/0161623 A1	8/2003	Saruhashi	
2003/0201371 A1	10/2003	Zadok	
2005/0122424 A1	6/2005	Overstreet	
2006/0113214 A1	6/2006	Shimizu et al.	
2007/0152117 A1	7/2007	Byrd	
2007/0278366 A1	12/2007	McGill	
2007/0284496 A1	12/2007	Yokota	
2008/0061199 A1	3/2008	Chen	
2008/0068493 A1	3/2008	Hida et al.	
2008/0093514 A1	4/2008	Carnevali	
2009/0308993 A1	12/2009	Chang	
2011/0163211 A1	7/2011	Cicco	
2012/0043439 A1	2/2012	Liao	
2013/0010143 A1	1/2013	Phillips	
2013/0215322 A1 *	8/2013	Haler H04N 5/232 348/373	
2013/0244816 A1	9/2013	Lignelli et al.	
2013/0270317 A1	10/2013	Wang	
2013/0279098 A1	10/2013	Cho	
2013/0292531 A1	11/2013	Schaefer et al.	
2014/0226061 A1	8/2014	Kuehl et al.	
2015/0122852 A1	5/2015	Feng	
2016/0296002 A1	10/2016	Srey	
2016/0353867 A1	12/2016	Due	

OTHER PUBLICATIONS

Nest—Cam Security Camera—Black/Silver. [online] Retrieved May 16, 2017 from URL: <[http://www.bestbuy.com/site/nest-cam-security-camerablacksilver/6473147.p?skuId=6473147&extStoreId=&ref=212&loc=1&ksid=7db5bd2d%C2cY0AD2404"YoC2%AD41d3cY0C2"YoAD86b9cY0C2cY0AD"YoE2'\)/080%A61/3](http://www.bestbuy.com/site/nest-cam-security-camerablacksilver/6473147.p?skuId=6473147&extStoreId=&ref=212&loc=1&ksid=7db5bd2d%C2cY0AD2404)>, 3 pgs.

* cited by examiner

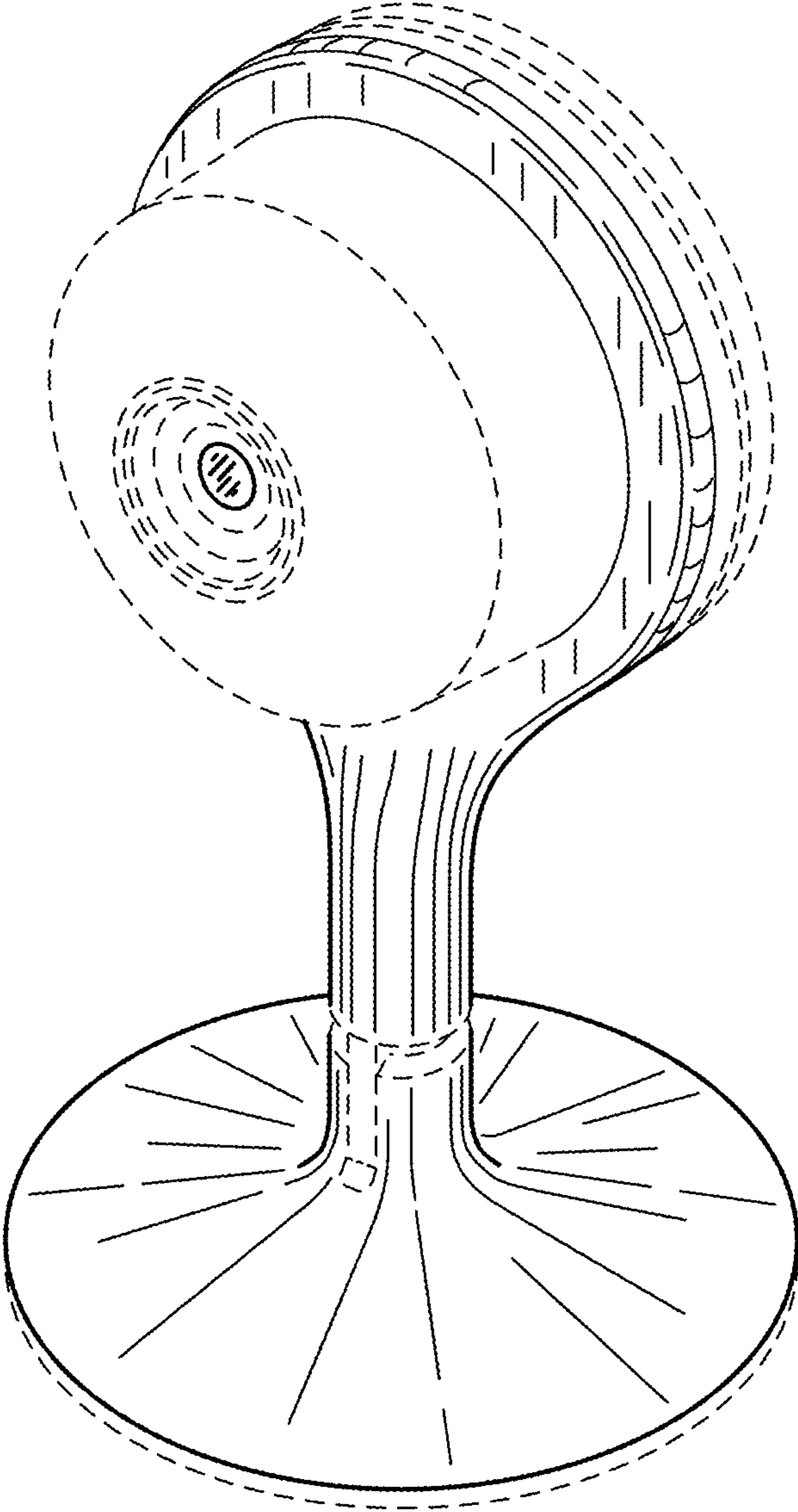


FIG. 1

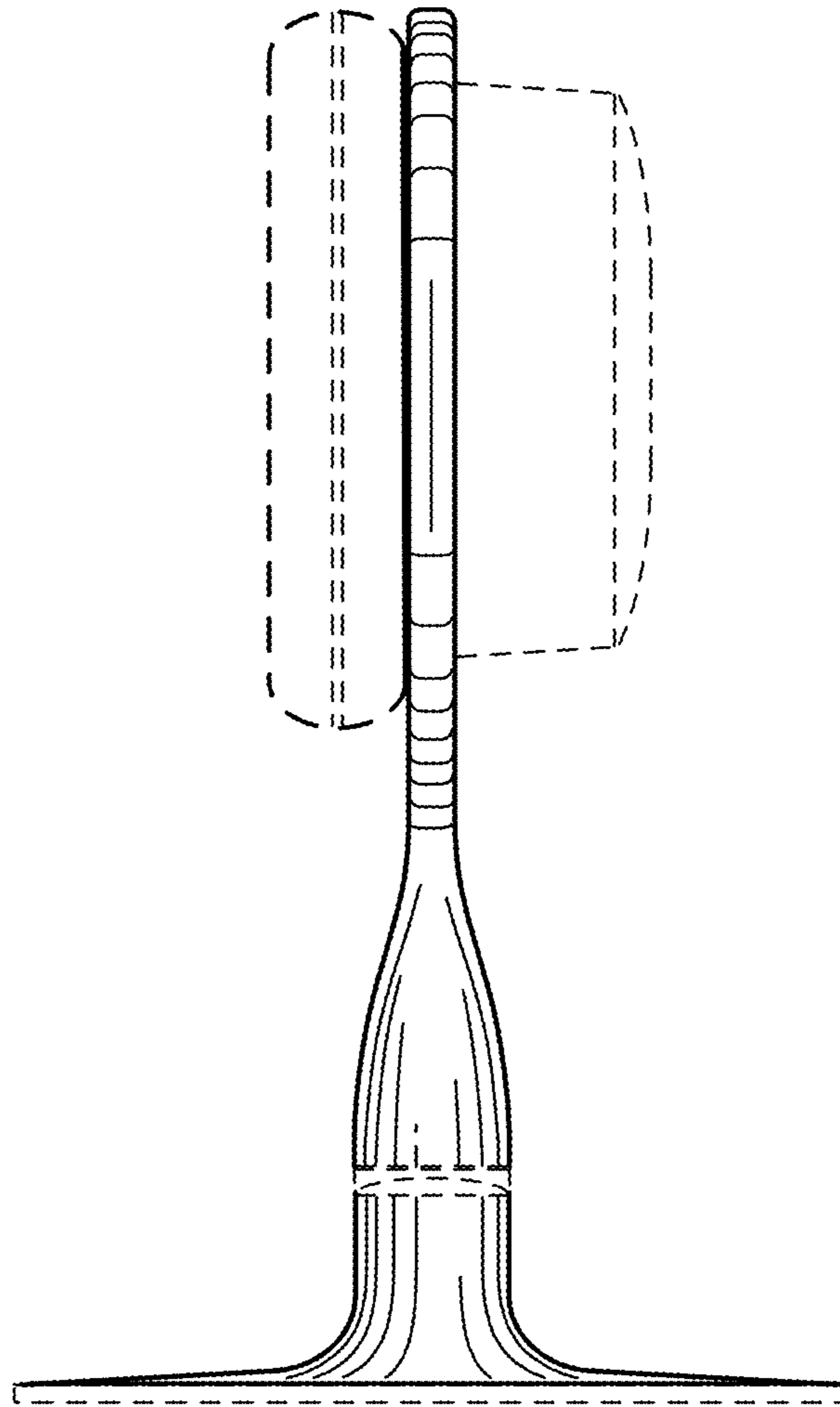


FIG. 2

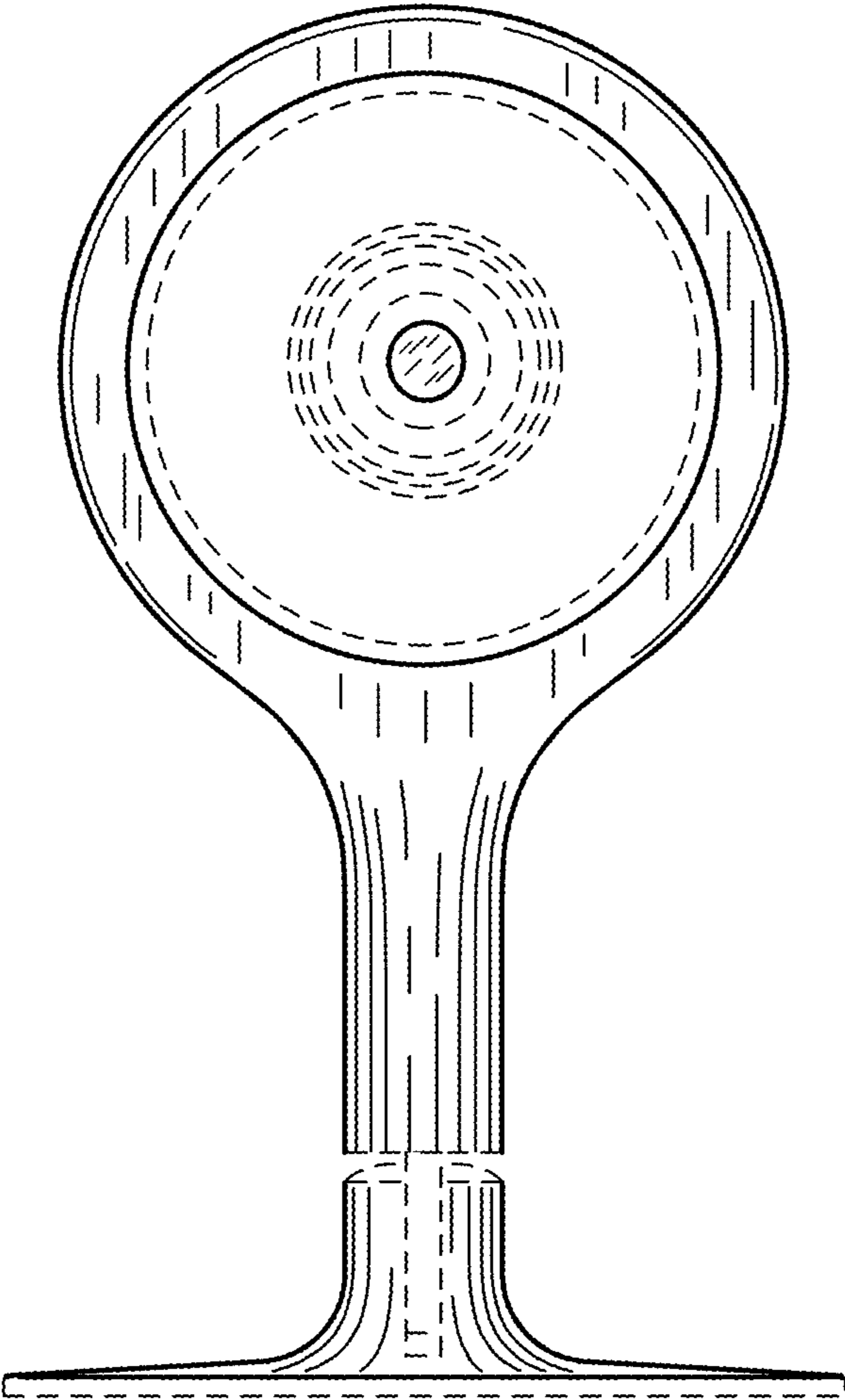


FIG. 3

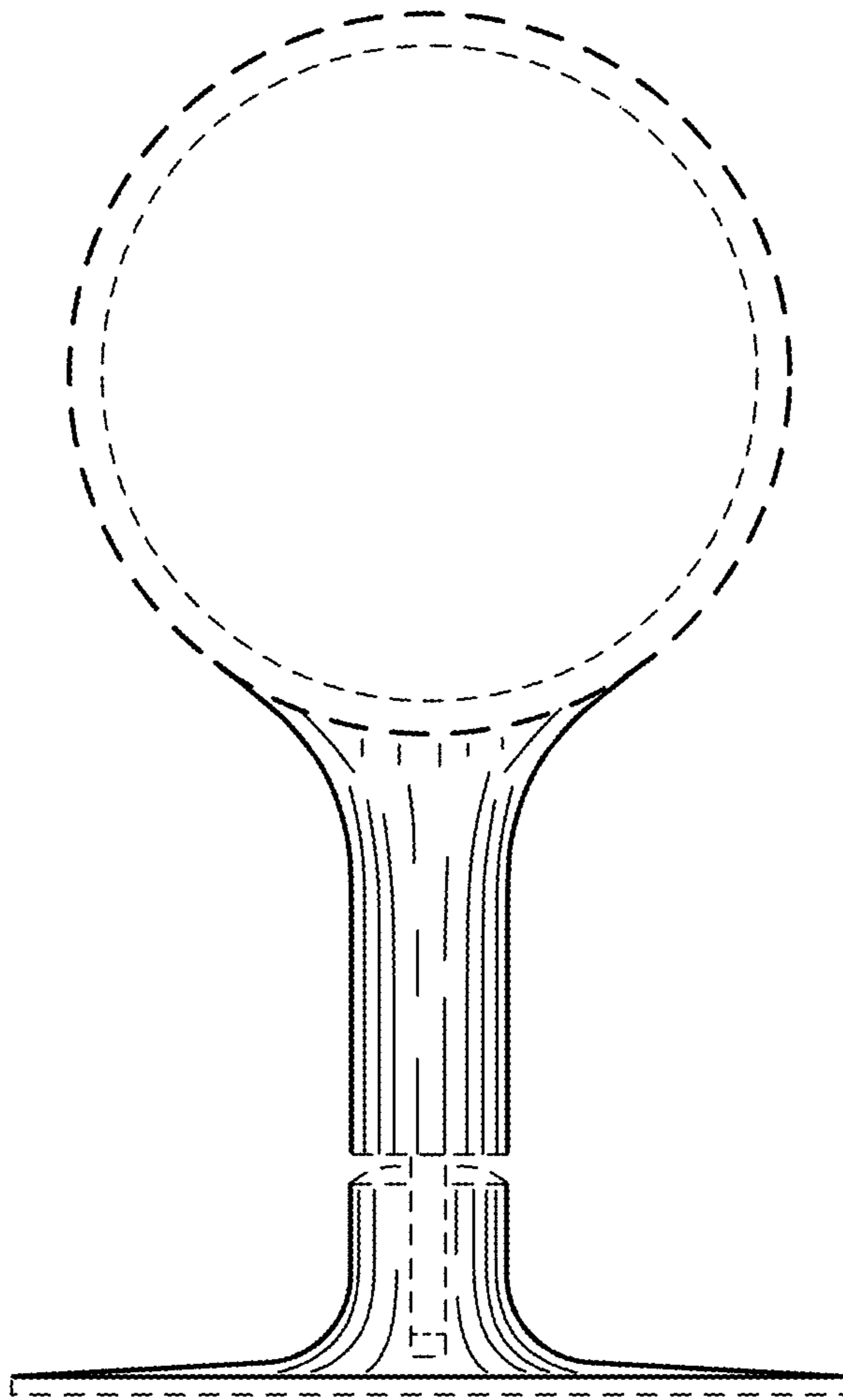


FIG. 4

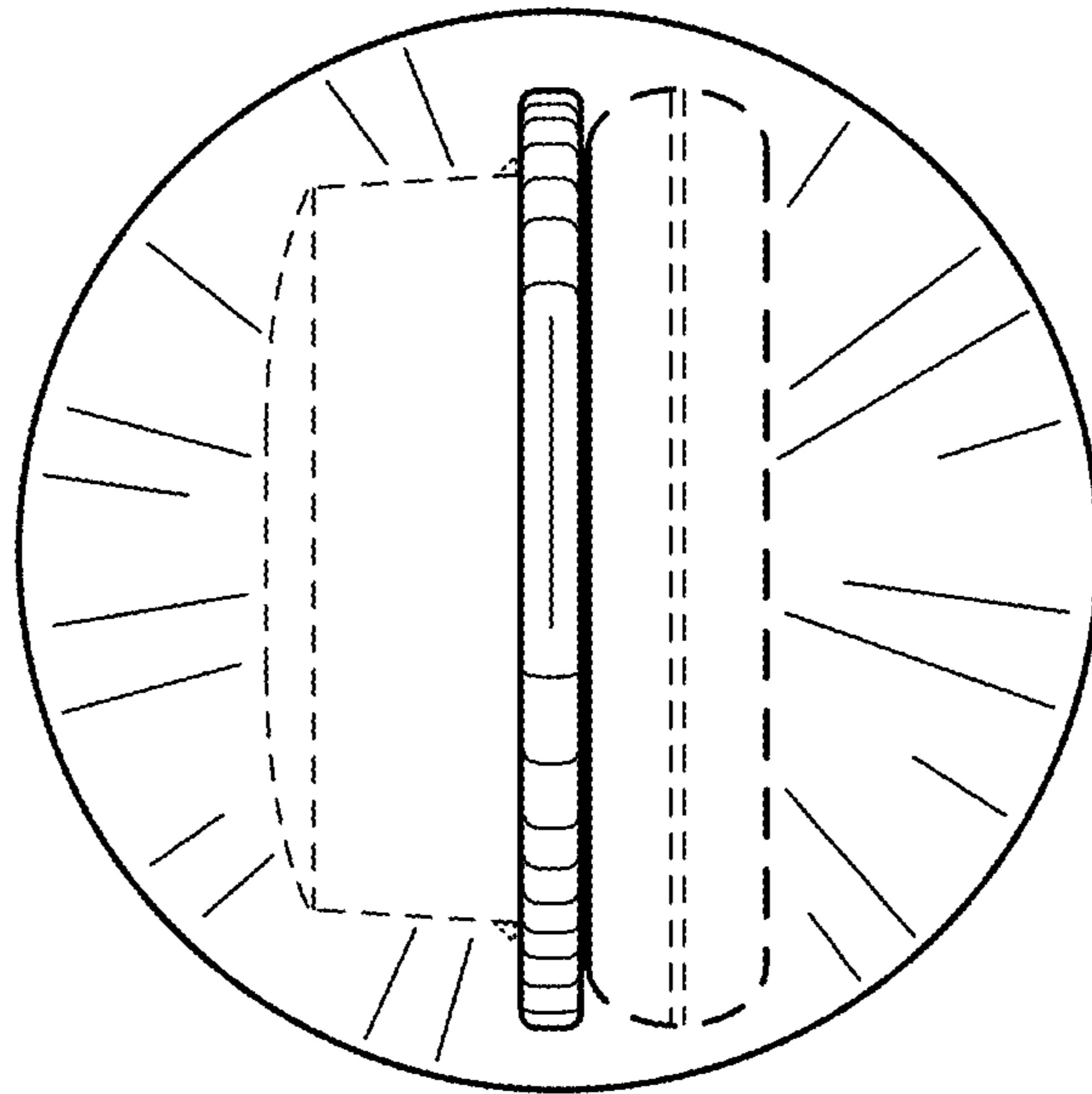


FIG. 5

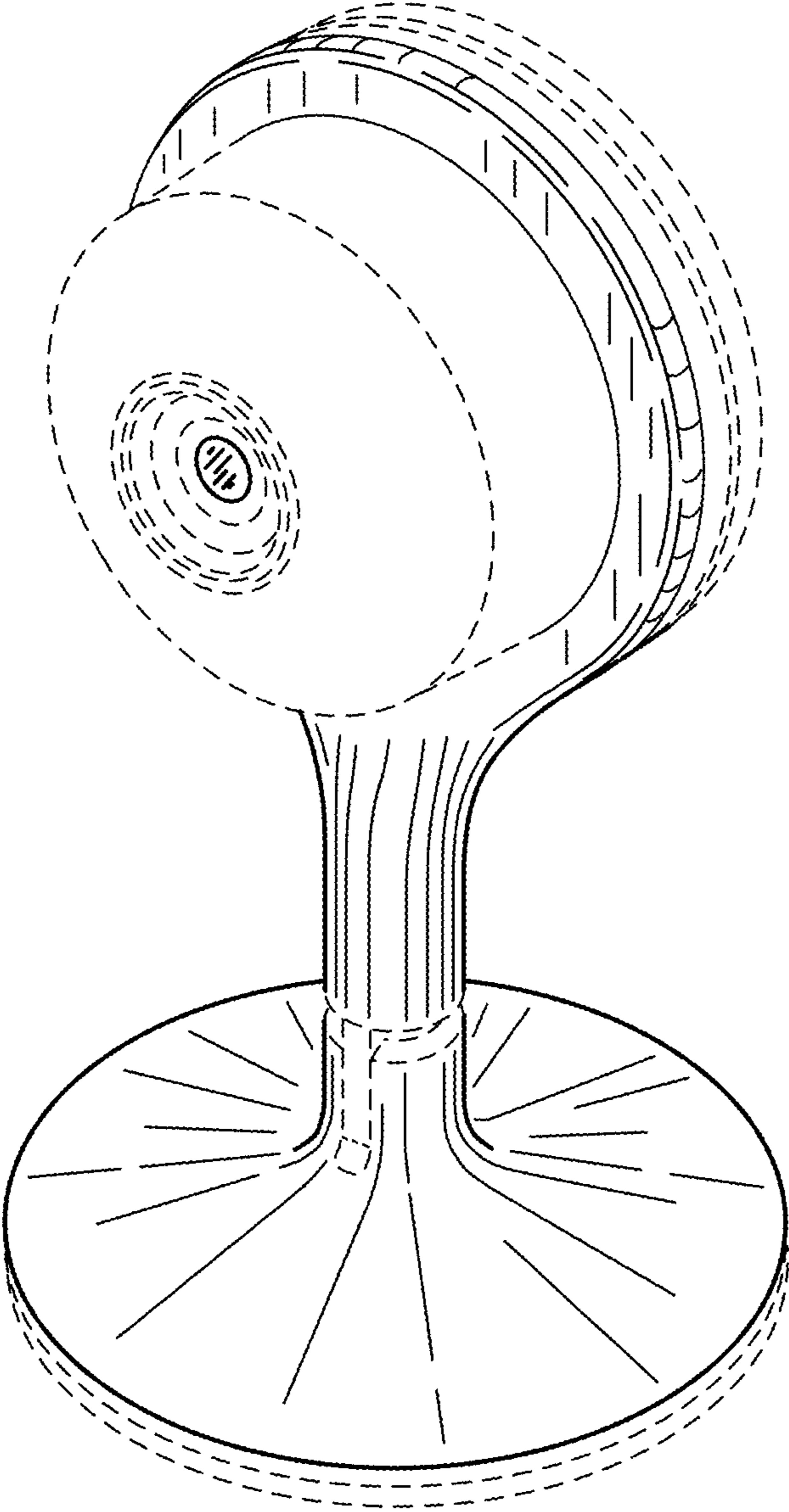


FIG. 6

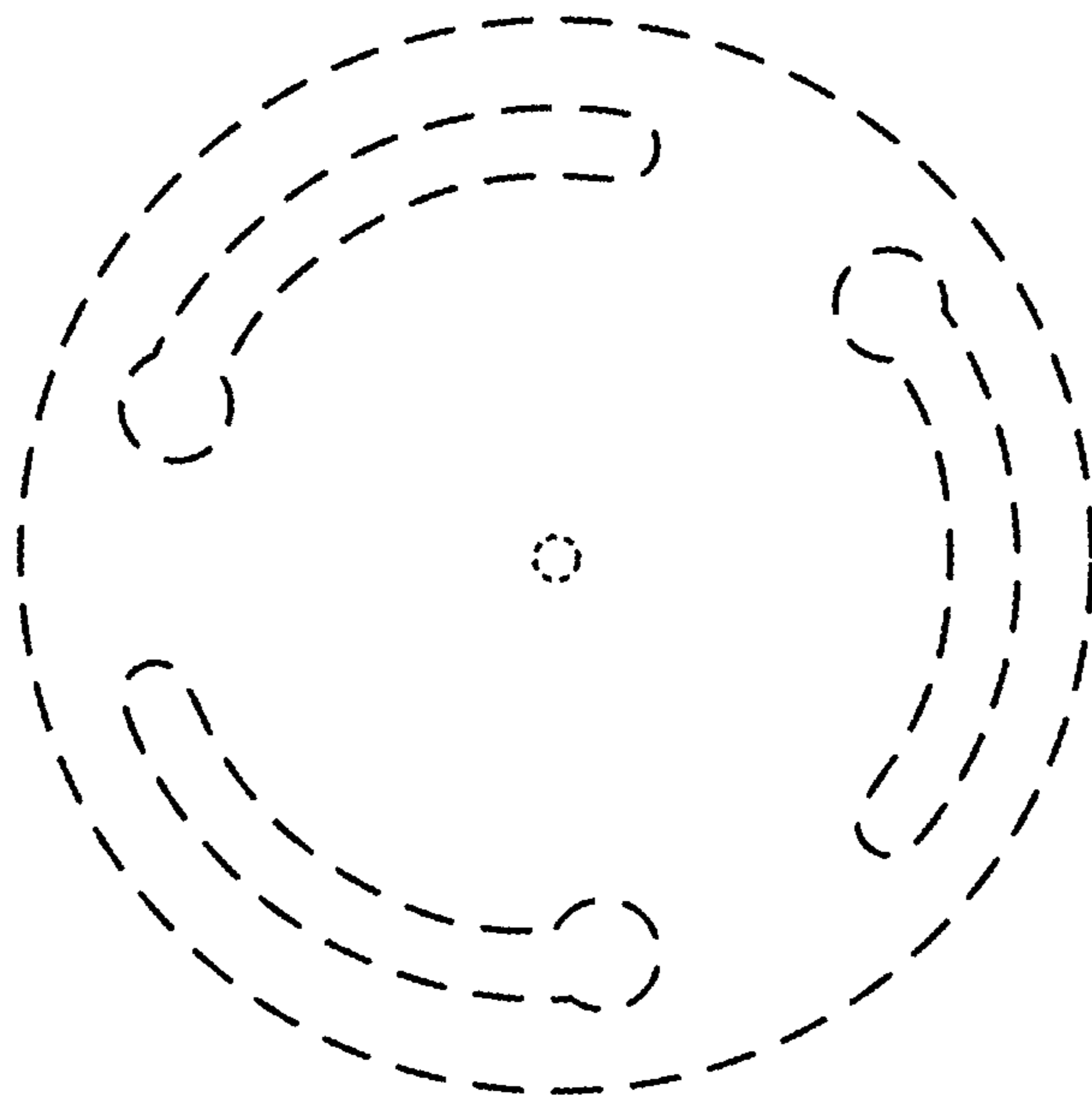


FIG. 7