



US00D822744S

(12) **United States Design Patent**
Hathway et al.

(10) **Patent No.:** **US D822,744 S**
(45) **Date of Patent:** **** Jul. 10, 2018**

(54) **BABY MONITOR CAMERA**

(56) **References Cited**

(71) Applicant: **Netgear, Inc.**, San Jose, CA (US)

U.S. PATENT DOCUMENTS

(72) Inventors: **James Hathway**, Delta (CA); **John Kui Yin Ramones**, San Ramon, CA (US); **Jim Blyth**, Farnham (GB); **Louise Bradley**, Basingstoke (GB); **Matt Plested**, Churt (GB)

D66,392 S 1/1925 Munro
D123,440 S * 11/1940 Vivaudou et al. D11/158
(Continued)

(73) Assignee: **Netgear, Inc.**, San Jose, CA (US)

FOREIGN PATENT DOCUMENTS

(**) Term: **15 Years**

CN 302804559 * 4/2014
CN 303402546 * 10/2015
(Continued)

(21) Appl. No.: **29/577,078**

OTHER PUBLICATIONS

(22) Filed: **Sep. 9, 2016**

Baby Monitor, announced Jan. 4, 2017 [online], [Site visited Aug. 16, 2017] Available from Internet, URL: <<https://www.arlo.com/en-us/products/arlo-baby/default.aspx>>.*

(51) **LOC (11) Cl.** **16-01**

(52) **U.S. Cl.**

(Continued)

USPC **D16/203**; D16/202

(58) **Field of Classification Search**

USPC D16/200–220, 229, 230, 242, 244, 245, D16/238, 225; D14/496, 203.1, 203.3, D14/203.7, 240, 356, 358; D28/41; D1/109, 107, 106; D2/868, 869, 883, D2/884, 894, 895, 873; D29/122; D12/400; D11/158, 224, 181, 239, 31, D11/49, 82, 100, 128, 157; D21/617, D21/618, 611, 620, 652, 654, 656, 655
CPC H04N 7/181; H04N 7/183; H04N 7/18; H04N 3/08; H04N 5/23248; H04N 5/23287; H04N 5/23258; H04N 5/2251; H04N 5/2252; H04N 2007/145; H04N 7/00; G01C 11/025; G02B 5/00; G03B 15/00; G03B 15/03; G03B 17/56; G03B 17/02; G03B 17/30; G03B 17/04; G03B 17/00; G03B 19/04; G03B 3/00; B60R 1/00; B60R 2300/105; G08B 13/19619; G08B 13/1963; G08B 13/19632; G08B 13/19621; F16M 11/04; F16M 13/00; Y02E 60/12

Primary Examiner — Barbara Fox

Assistant Examiner — Mary C Ramirez

(74) *Attorney, Agent, or Firm* — Boyle Fredrickson, S.C.

(57) **CLAIM**

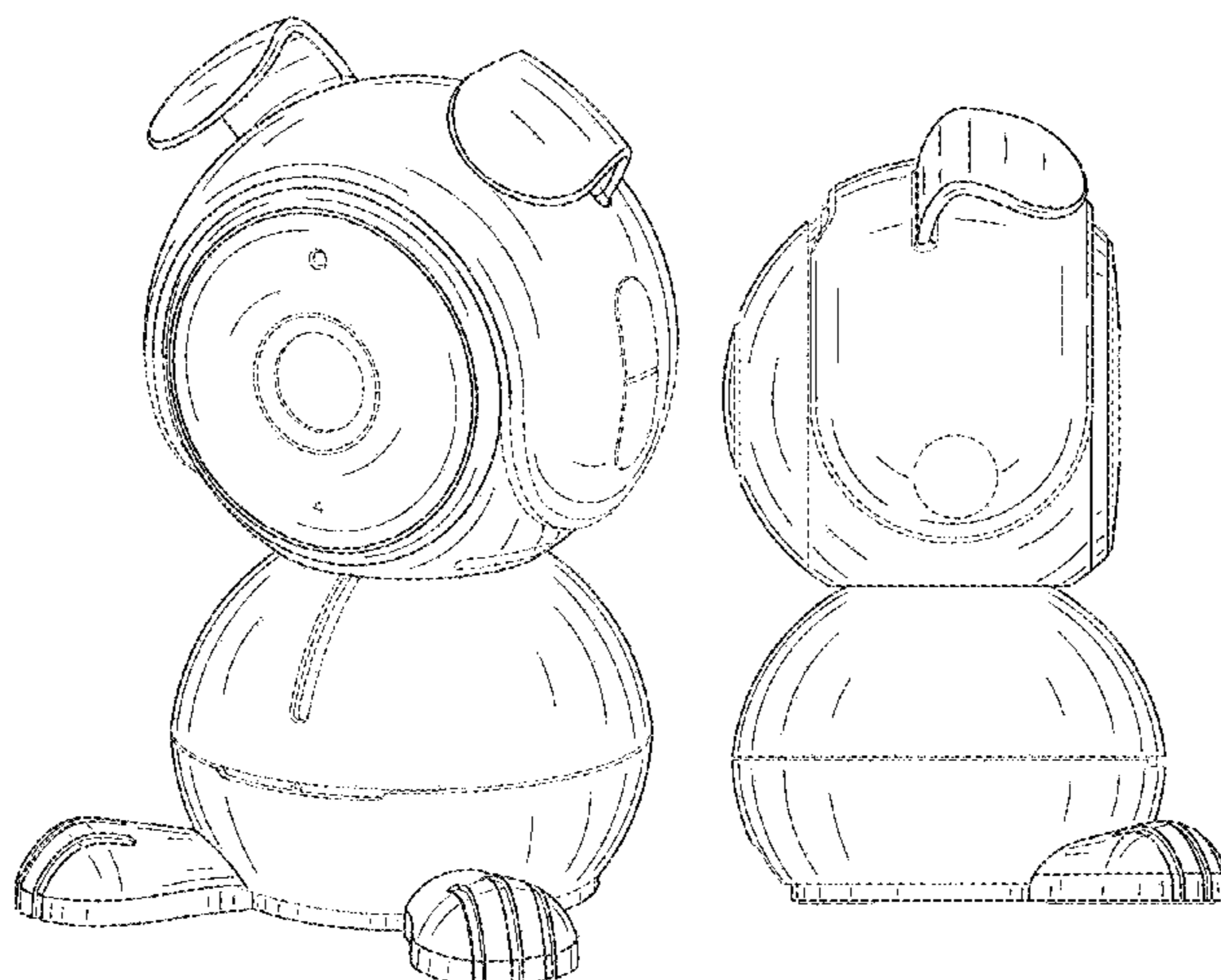
The ornamental design for a baby monitor camera, as shown and described.

DESCRIPTION

FIG. 1 is a top, front, right isometric view of a baby monitor camera showing our new design;
FIG. 2 is a top, rear, right isometric view thereof;
FIG. 3 is a front elevation view thereof;
FIG. 4 is a rear elevation view thereof;
FIG. 5 is right side elevation view thereof;
FIG. 6 is a left side elevation view thereof;
FIG. 7 is a top plan view thereof; and,
FIG. 8 is a bottom plan view thereof.
The broken lines shown in the drawings depict portions of the baby monitor camera that form no part of the claimed design.

See application file for complete search history.

1 Claim, 6 Drawing Sheets



(56)

References Cited

U.S. PATENT DOCUMENTS

D153,762 S 5/1949 Brenner
 D154,830 S * 8/1949 Allen et al. D21/654
 D155,071 S * 9/1949 Borrok D11/158
 D256,705 S 9/1980 Nakao et al.
 D303,035 S * 8/1989 O'Dunlaing D21/654
 D386,182 S 11/1997 Leifer
 D433,432 S * 11/2000 Prather D16/202
 D484,427 S * 12/2003 Ng D14/159
 D513,614 S * 1/2006 Tsao D14/371
 D552,144 S * 10/2007 Logan D16/202
 D596,457 S * 7/2009 Claps D7/401.2
 D628,223 S * 11/2010 Kao D16/202
 D637,173 S * 5/2011 Elkerbout D14/159
 D643,065 S 8/2011 van der Lande
 D648,766 S * 11/2011 Chen D16/202
 D676,018 S * 2/2013 Breines D14/189
 D676,839 S 2/2013 Kwag
 D678,929 S * 3/2013 Hancock D16/202
 D685,283 S 7/2013 Katoh
 D699,237 S * 2/2014 Yueh D14/250
 D705,075 S * 5/2014 Zwettler D21/576
 D716,753 S * 11/2014 Deng D14/159
 D731,579 S * 6/2015 Bart D16/203
 D741,931 S * 10/2015 Huang D16/202
 D751,619 S * 3/2016 Jeong D16/203

D752,692 S 3/2016 Segui
 D753,204 S * 4/2016 Luo D16/202
 D757,679 S 5/2016 Yan et al.
 D759,767 S * 6/2016 Majure Maysan D21/611
 D761,497 S 7/2016 Paculdo et al.
 D774,710 S * 12/2016 Stiles D30/160
 D782,450 S 3/2017 Jones
 D793,105 S * 8/2017 George, II D6/351
 D809,040 S * 1/2018 Webb, II D15/199
 D810,165 S * 2/2018 Webb D15/199
 D810,169 S * 2/2018 Bhattacharya D16/203
 2017/0195533 A1 * 7/2017 Seo G02B 7/021

FOREIGN PATENT DOCUMENTS

CN 303635231 * 4/2016
 KR 300896392 * 2/2017

OTHER PUBLICATIONS

Arlo Baby, announced 2017 [online], [Site visited Aug. 16, 2017]
 Available from Internet, URL: <<https://www.theverge.com/2017/1/4/14123920/netgear-arlo-baby-monitor-camera-announced>>.*
 U.S. Appl. No. 29/577,075, filed Sep. 9, 2016.
 U.S. Appl. No. 29/577,073, filed Sep. 9, 2016.

* cited by examiner

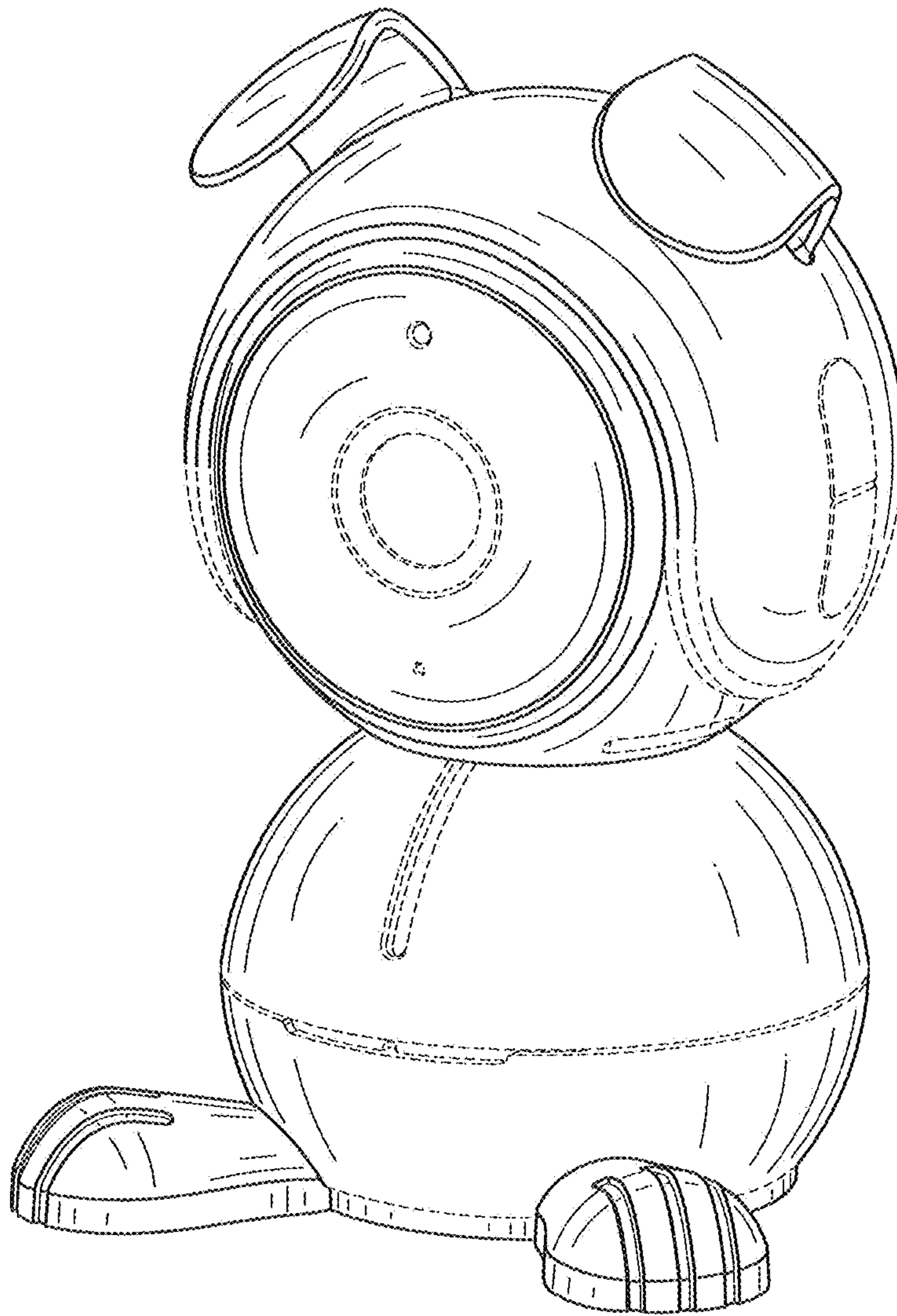


FIG. 1

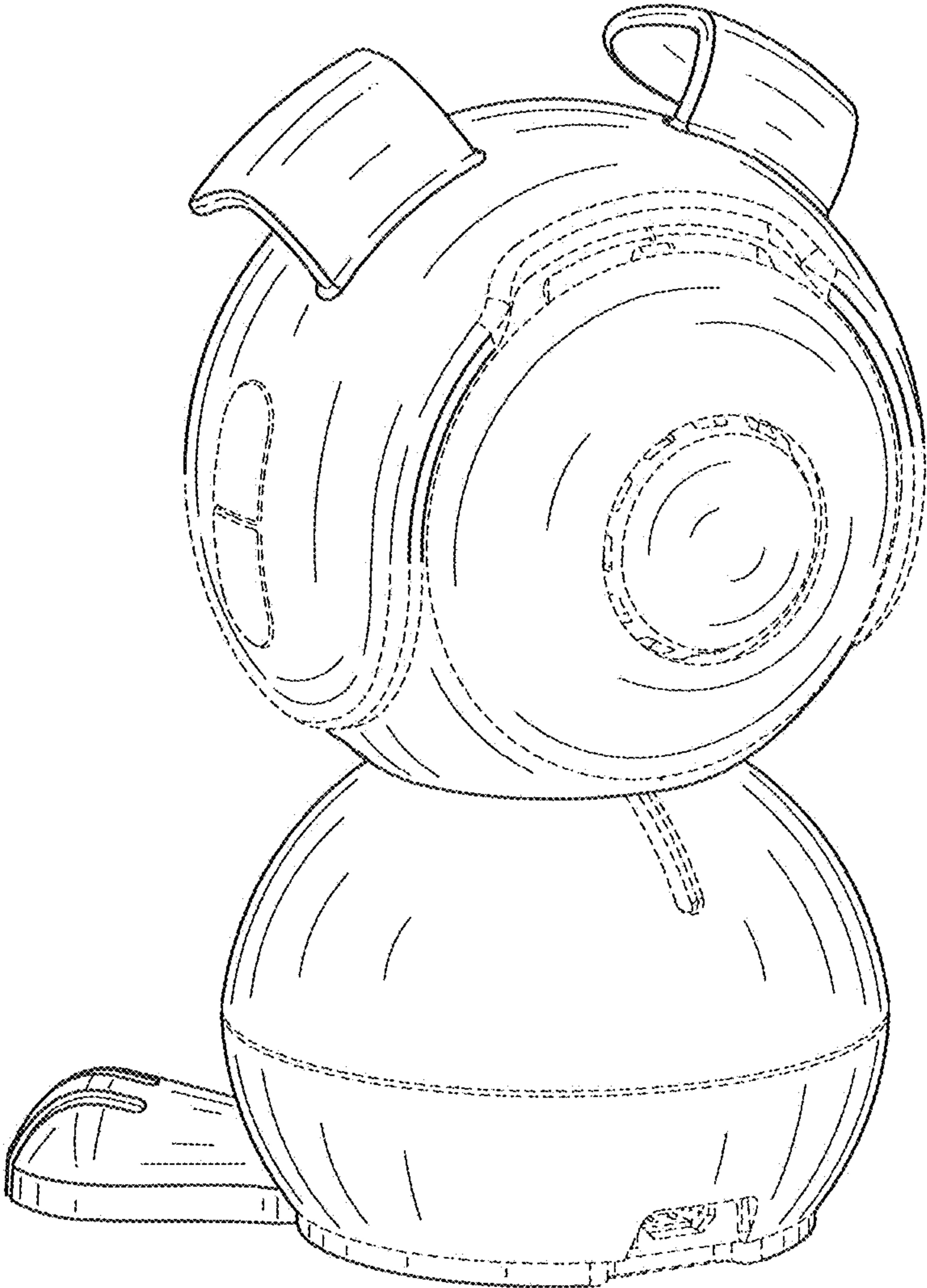


FIG. 2

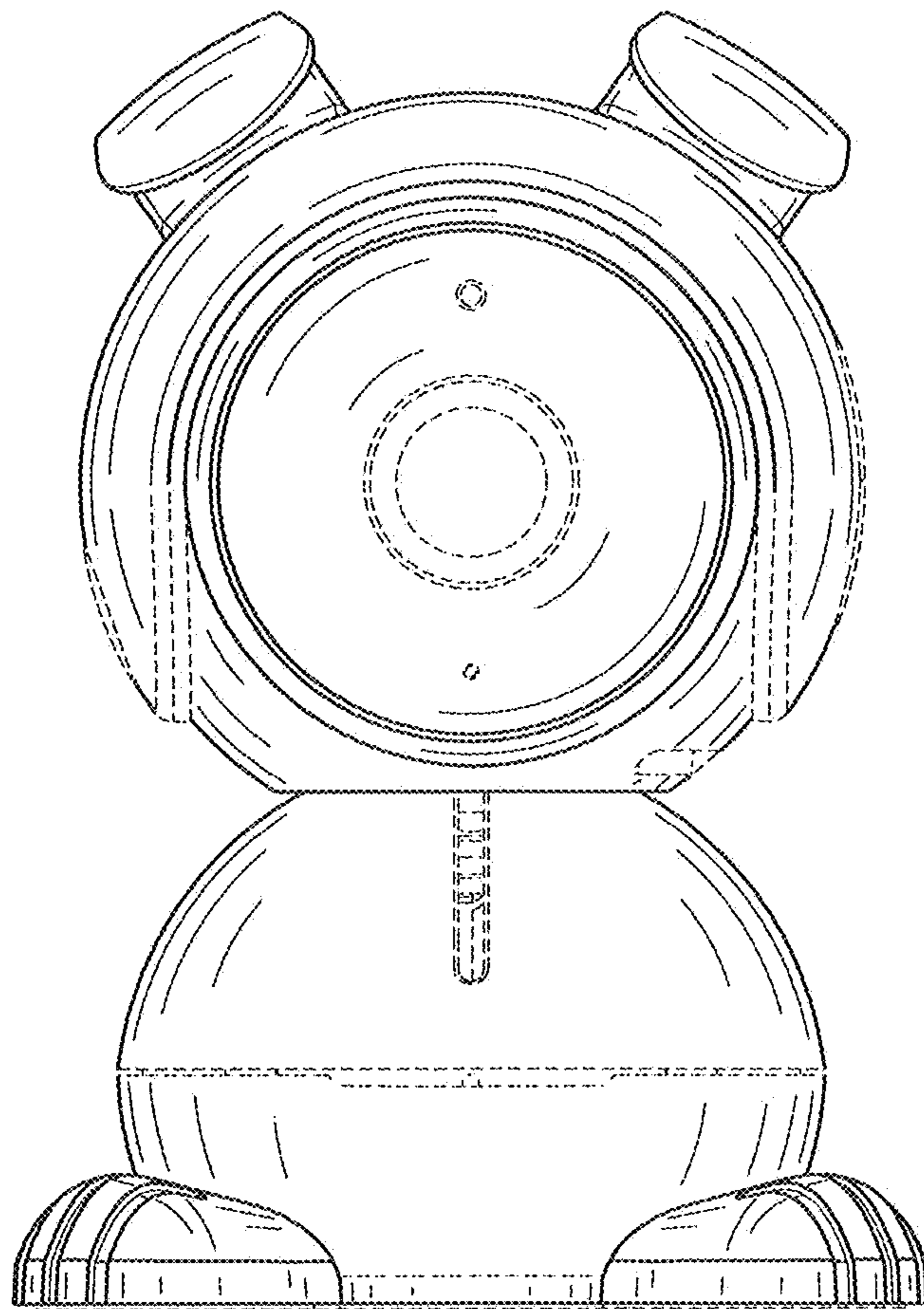


FIG. 3

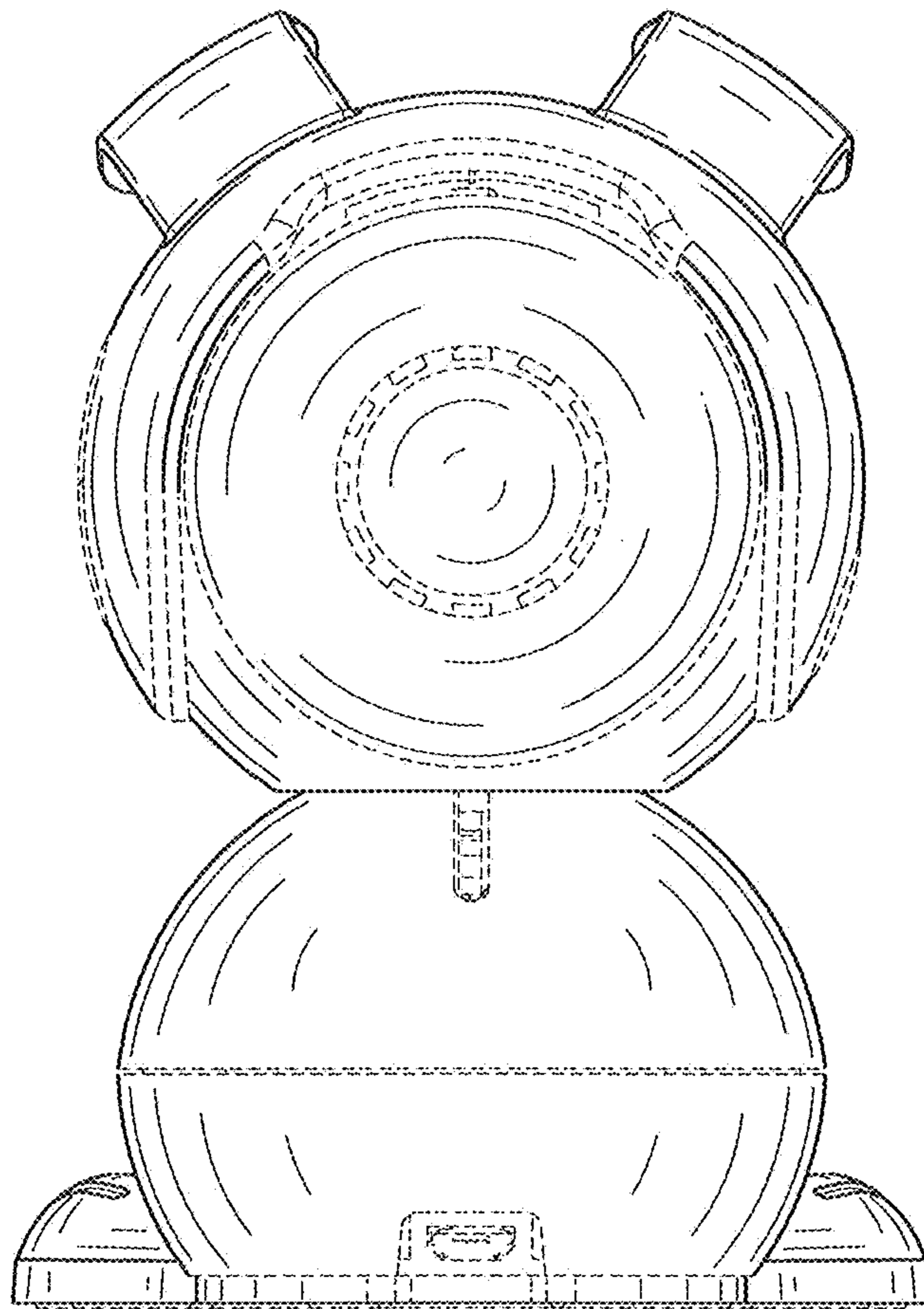


FIG. 4

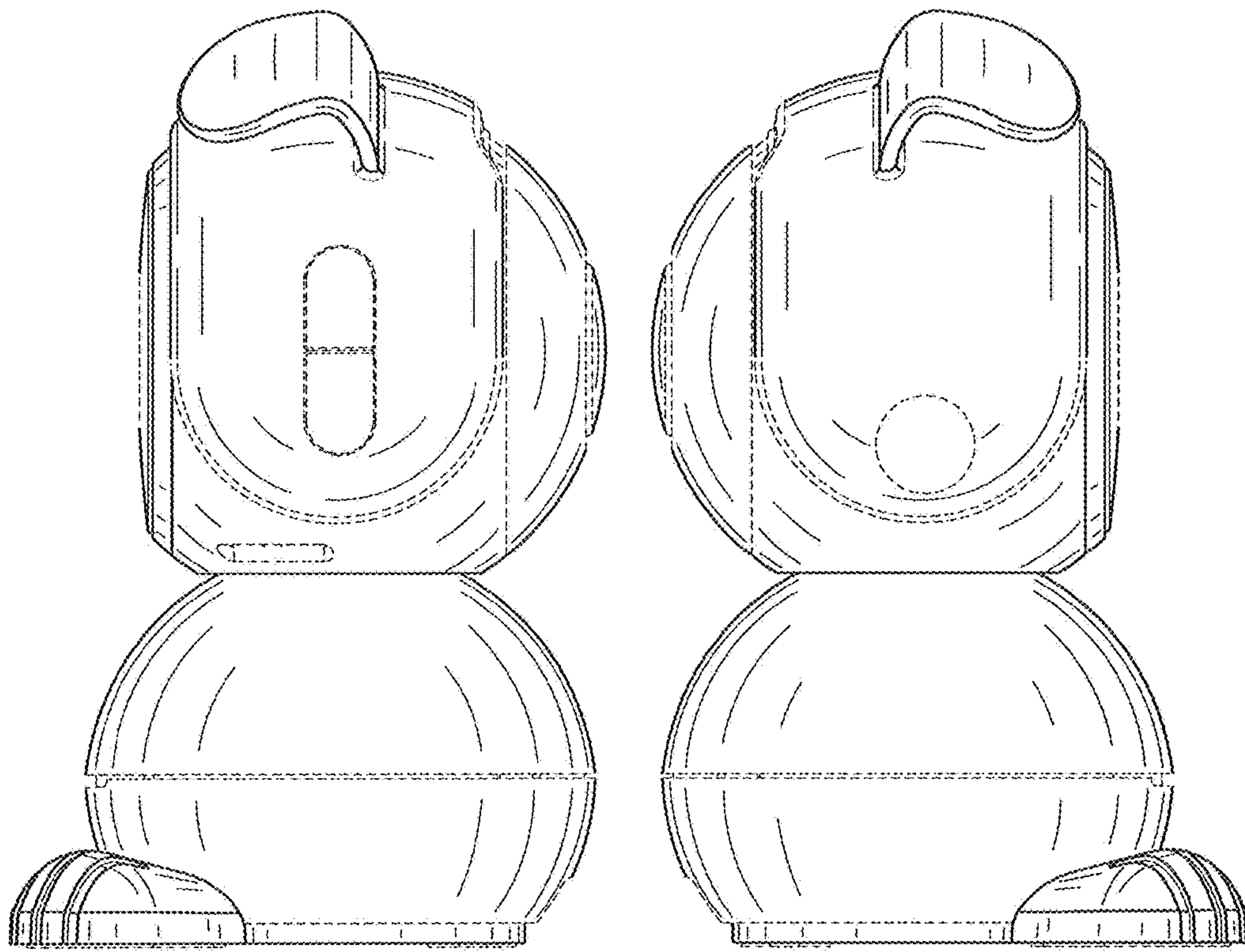


FIG. 5

FIG. 6

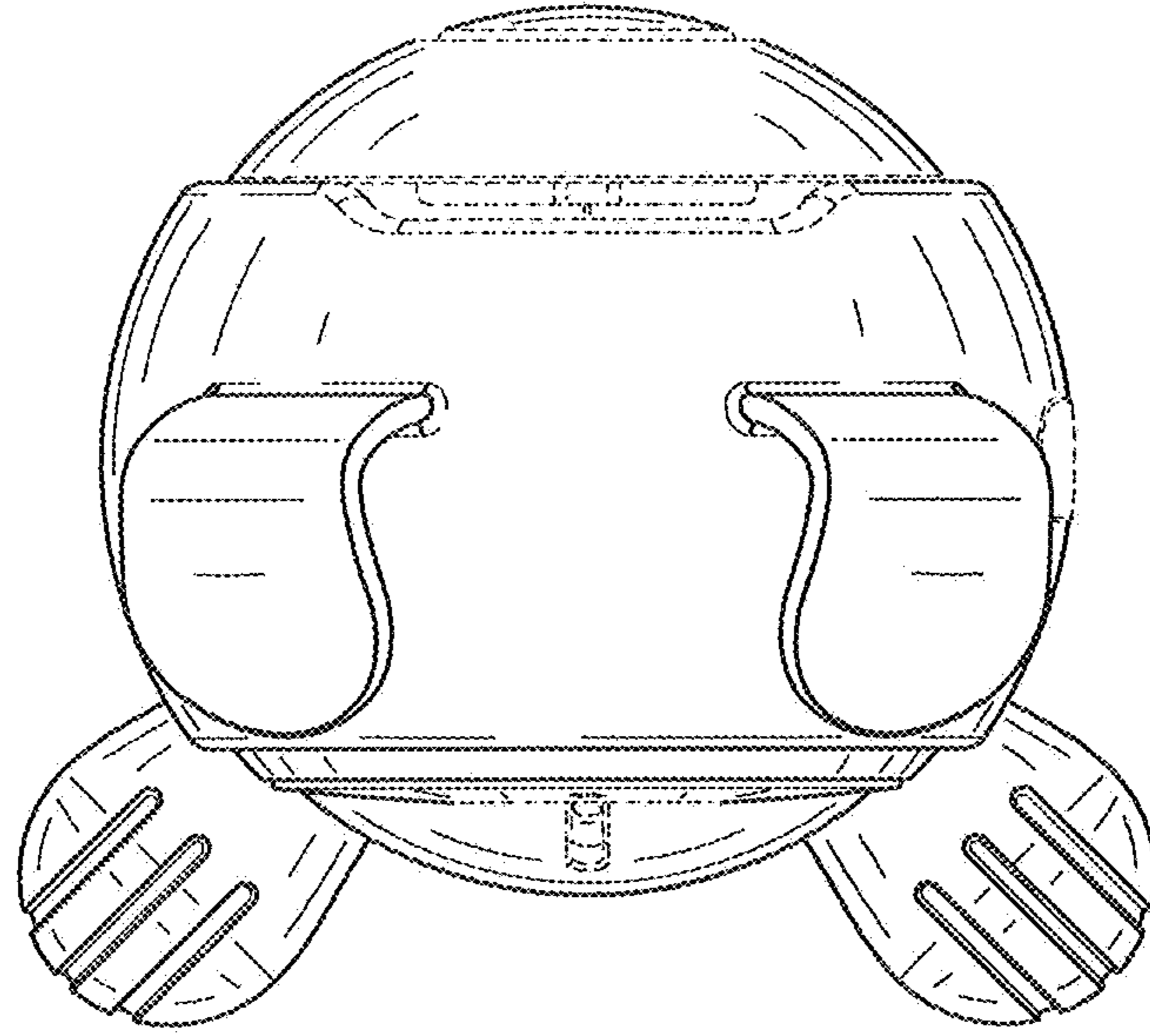


FIG. 7

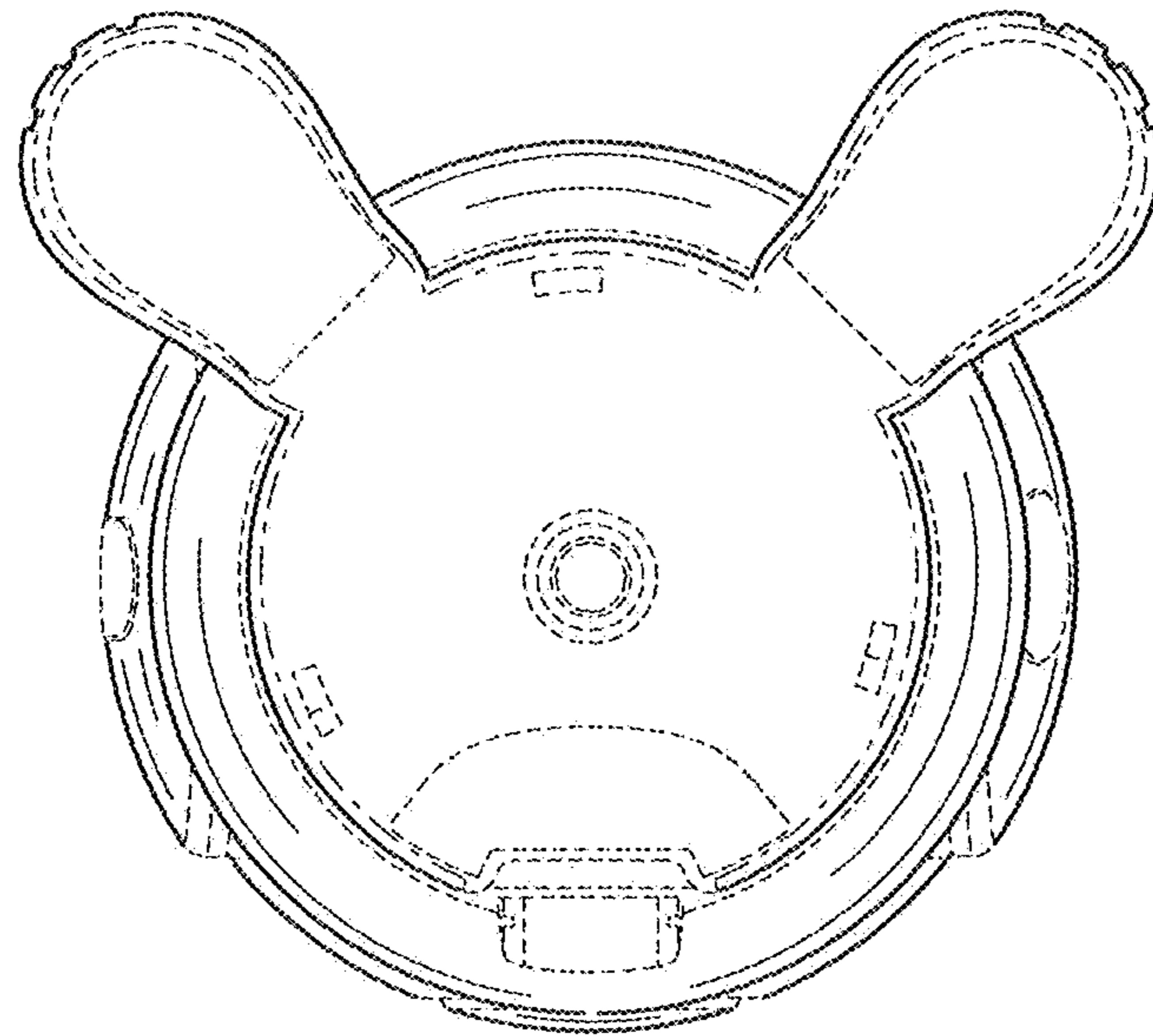


FIG. 8