



US00D822743S

(12) **United States Design Patent**  
**Hathway et al.**

(10) **Patent No.:** **US D822,743 S**  
(45) **Date of Patent:** **\*\* Jul. 10, 2018**

(54) **BABY MONITOR CAMERA**

1/00; B60R 2300/105; G08B 13/19619;  
G08B 13/1963;

(71) Applicant: **Netgear, Inc.**, San Jose, CA (US)

(Continued)

(72) Inventors: **James Hathway**, Delta (CA); **John Kui Yin Ramones**, San Ramon, CA (US); **Jim Blyth**, Farnham (GB); **Louise Bradley**, Basingstoke (GB); **Matt Plested**, Churt (GB)

(56) **References Cited**

U.S. PATENT DOCUMENTS

D66,392 S 1/1925 Munro  
1,630,137 A \* 5/1927 Ruwwe ..... A63H 15/06  
446/325  
D72,870 S \* 6/1927 Royal ..... D26/17

(Continued)

(73) Assignee: **Netgear, Inc.**, San Jose, CA (US)

FOREIGN PATENT DOCUMENTS

(\*\*) Term: **15 Years**

CN 302804559 \* 4/2014  
CN 303402546 \* 10/2015

(Continued)

(21) Appl. No.: **29/577,075**

OTHER PUBLICATIONS

(22) Filed: **Sep. 9, 2016**

Baby Monitor, announced Jan. 4, 2017 [online], [Site visited Aug. 16, 2017] Available from Internet, URL: <<https://www.arlo.com/en-us/products/arlo-baby/default.aspx>>.\*

(Continued)

(51) **LOC (11) Cl.** ..... **16-01**

(52) **U.S. Cl.**

USPC ..... **D16/203**; D16/202

(58) **Field of Classification Search**

USPC ..... D16/200–220, 229, 230, 242, 244, 245, D16/238, 225; D14/496, 203.1, 203.3, D14/203.7, 240, 356, 358; D28/41; D1/109, 107, 106; D2/868, 869, 883, D2/884, 894, 895, 873; D29/122; D12/400; D11/158, 224, 181, 239, 31, D11/49, 82, 100, 128, 157; D21/617, D21/618, 611, 620, 652, 654, 656, 655  
CPC ..... H04N 7/181; H04N 7/183; H04N 7/18; H04N 3/08; H04N 5/23248; H04N 5/23287; H04N 5/23258; H04N 5/2251; H04N 5/2252; H04N 2007/145; H04N 7/00; G01C 11/025; G02B 5/00; G03B 15/00; G03B 15/03; G03B 17/56; G03B 17/02; G03B 17/30; G03B 17/04; G03B 17/00; G03B 19/04; G03B 3/00; B60R

*Primary Examiner* — Barbara Fox  
*Assistant Examiner* — Mary C Ramirez  
(74) *Attorney, Agent, or Firm* — Boyle Fredrickson, S.C.

(57) **CLAIM**

The ornamental design for a baby monitor camera, as shown and described.

**DESCRIPTION**

FIG. 1 is a top, front, right isometric view of a baby monitor camera showing our new design;  
FIG. 2 is a top, rear, right isometric view thereof;  
FIG. 3 is a front elevation view thereof;  
FIG. 4 is a rear elevation view thereof;  
FIG. 5 is right side elevation view thereof;  
FIG. 6 is a left side elevation view thereof;  
FIG. 7 is a top plan view thereof; and,

(Continued)

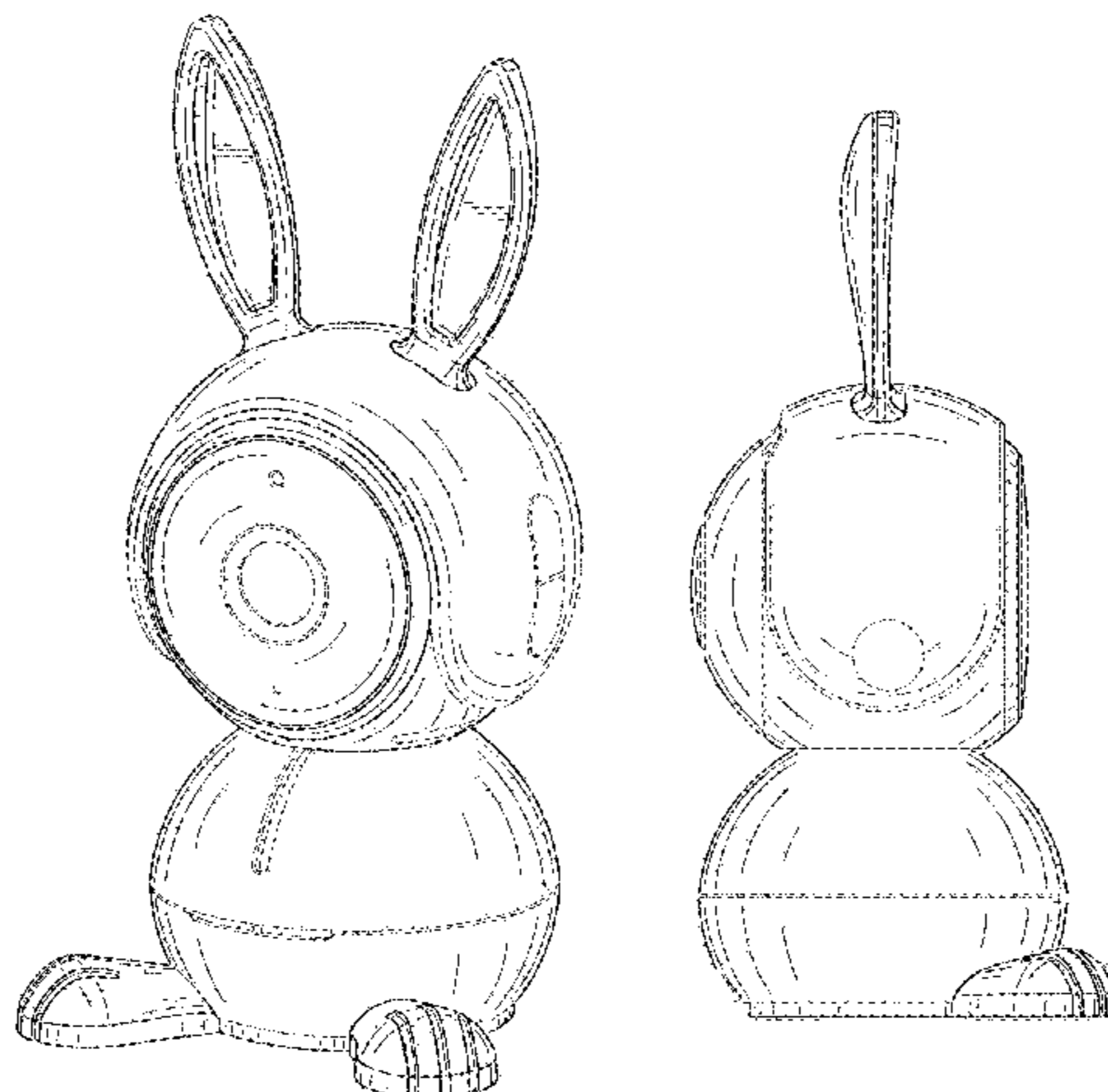


FIG. 8 is a bottom plan view thereof.  
The broken lines shown in the drawings depict portions of the baby monitor camera that form no part of the claimed design.

**1 Claim, 6 Drawing Sheets**

(58) **Field of Classification Search**

CPC ..... G08B 13/19632; G08B 13/19621; F16M 11/04; F16M 13/00; Y02E 60/12  
See application file for complete search history.

(56) **References Cited**

U.S. PATENT DOCUMENTS

D123,440 S	11/1940	Vivaudou et al.	
D149,531 S *	5/1948	White .....	D21/655
D153,762 S	5/1949	Brenner	
D155,071 S	9/1949	Borrok	
D190,238 S *	5/1961	Blake .....	D21/659
D242,786 S *	12/1976	McAvin .....	D12/197
D256,705 S	9/1980	Nakao et al.	
D303,035 S	8/1989	O'Dunlaing	
D386,182 S *	11/1997	Leifer .....	D14/172
D433,432 S *	11/2000	Prather .....	D16/202
D484,427 S *	12/2003	Ng .....	D14/159
D552,144 S *	10/2007	Logan .....	D16/202
D596,229 S *	7/2009	van der Lande .....	D19/142
D628,223 S *	11/2010	Kao .....	D16/202
D637,173 S *	5/2011	Elkerbout .....	D14/159
D643,065 S	8/2011	van der Lande	
D648,766 S *	11/2011	Chen .....	D16/202

D676,018 S *	2/2013	Breines .....	D14/189
D676,839 S *	2/2013	Kwag .....	D14/250
D678,929 S *	3/2013	Hancock .....	D16/202
D685,283 S	7/2013	Katoh	
D705,075 S	5/2014	Zwettler et al.	
D716,753 S *	11/2014	Deng .....	D14/159
D731,579 S *	6/2015	Bart .....	D16/203
D741,931 S *	10/2015	Huang .....	D16/202
D751,619 S *	3/2016	Jeong .....	D16/203
D752,692 S	3/2016	Arias Segui	
D753,204 S *	4/2016	Luo .....	D16/202
D757,679 S	5/2016	Yan et al.	
D759,767 S	6/2016	Majure Maysan	
D774,710 S	12/2016	Stiles	
D782,450 S	3/2017	Jones	
D793,105 S	8/2017	George, II et al.	
D809,040 S *	1/2018	Webb, II .....	D15/199
D810,165 S *	2/2018	Webb .....	D15/199
D810,169 S *	2/2018	Bhattacharya .....	D16/203
2017/0195533 A1 *	7/2017	Seo .....	G02B 7/021

FOREIGN PATENT DOCUMENTS

CN	303635231	*	4/2016
KR	300896392	*	2/2017

OTHER PUBLICATIONS

Arlo Baby, announced 2017 [online], [Site visited Aug. 16, 2017]  
Available from Internet, URL: <<https://www.theverge.com/2017/1/4/14123920/netgear-arlo-baby-monitor-camera-announced>>.\*  
U.S. Appl. No. 29/577,078, filed Sep. 9, 2016.  
U.S. Appl. No. 29/577,073, filed Sep. 9, 2016.

\* cited by examiner

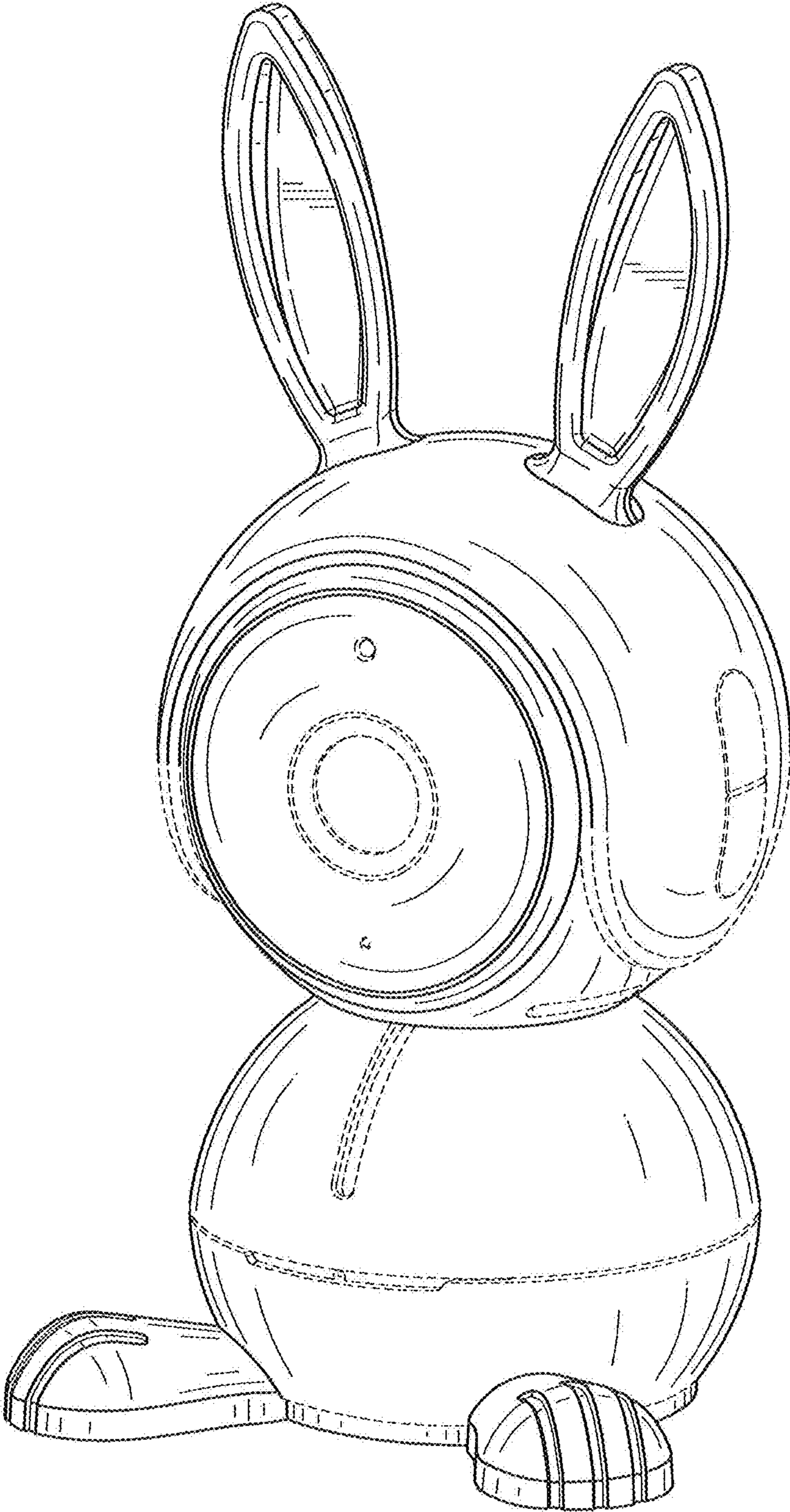


FIG. 1

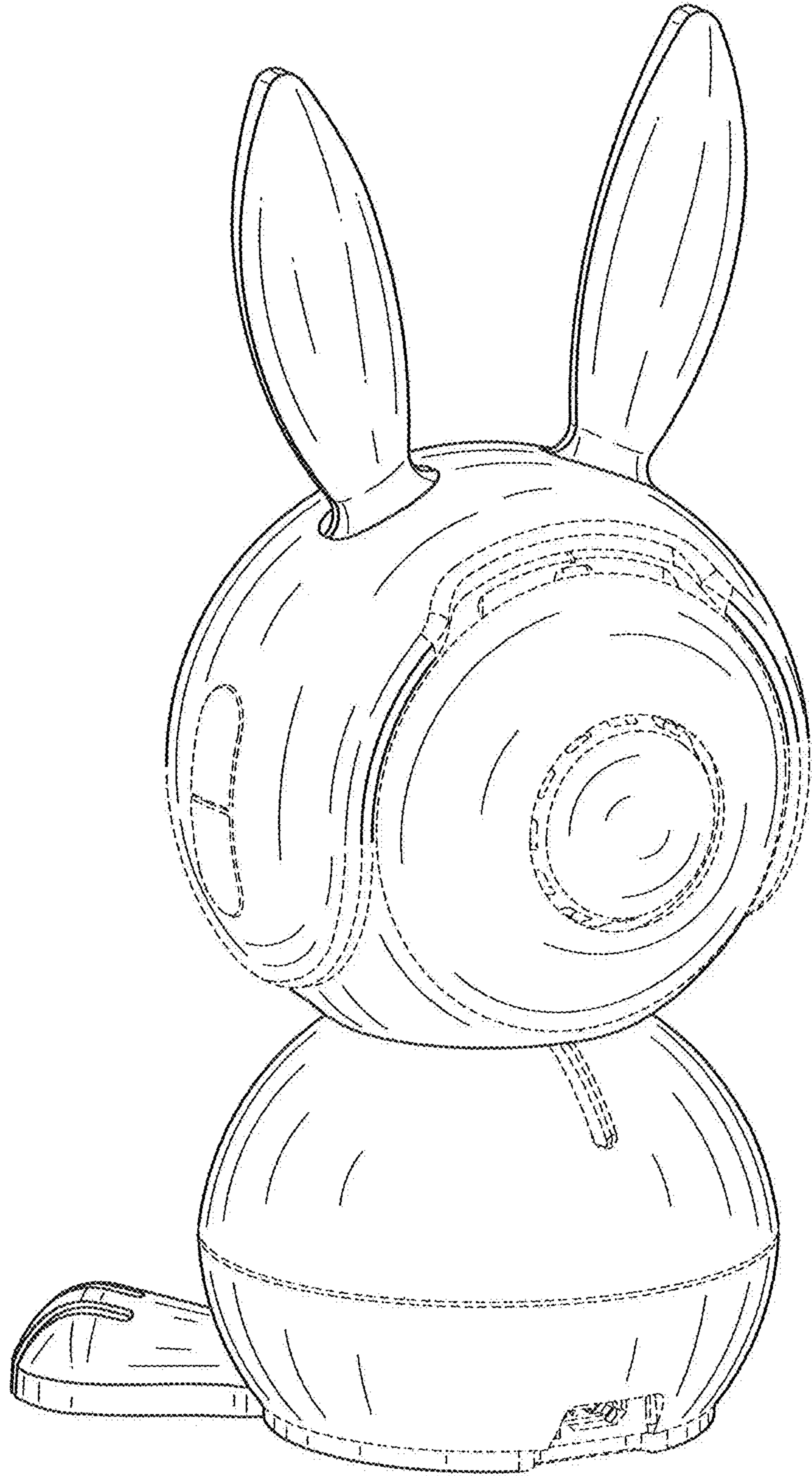


FIG. 2

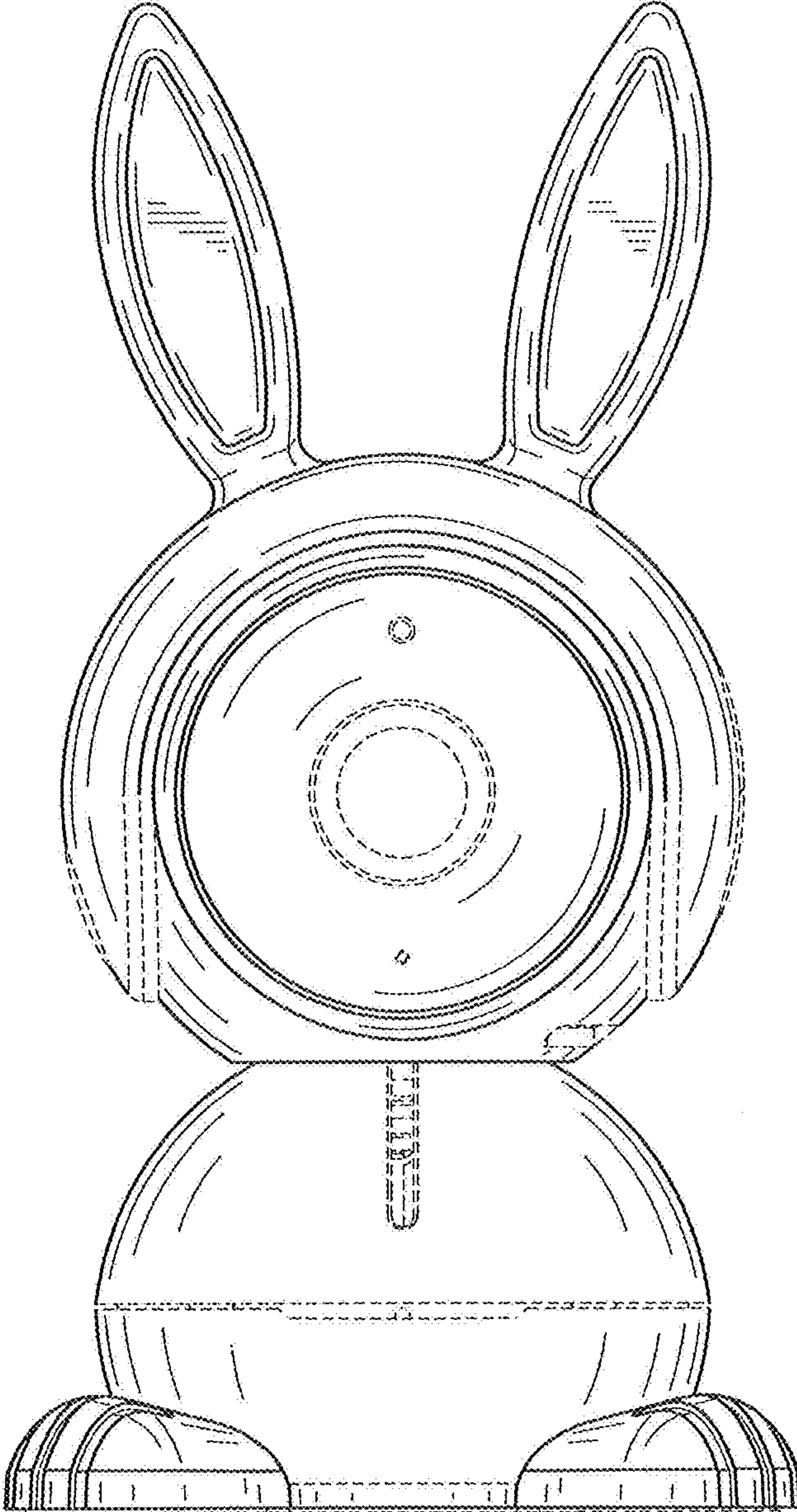


FIG. 3

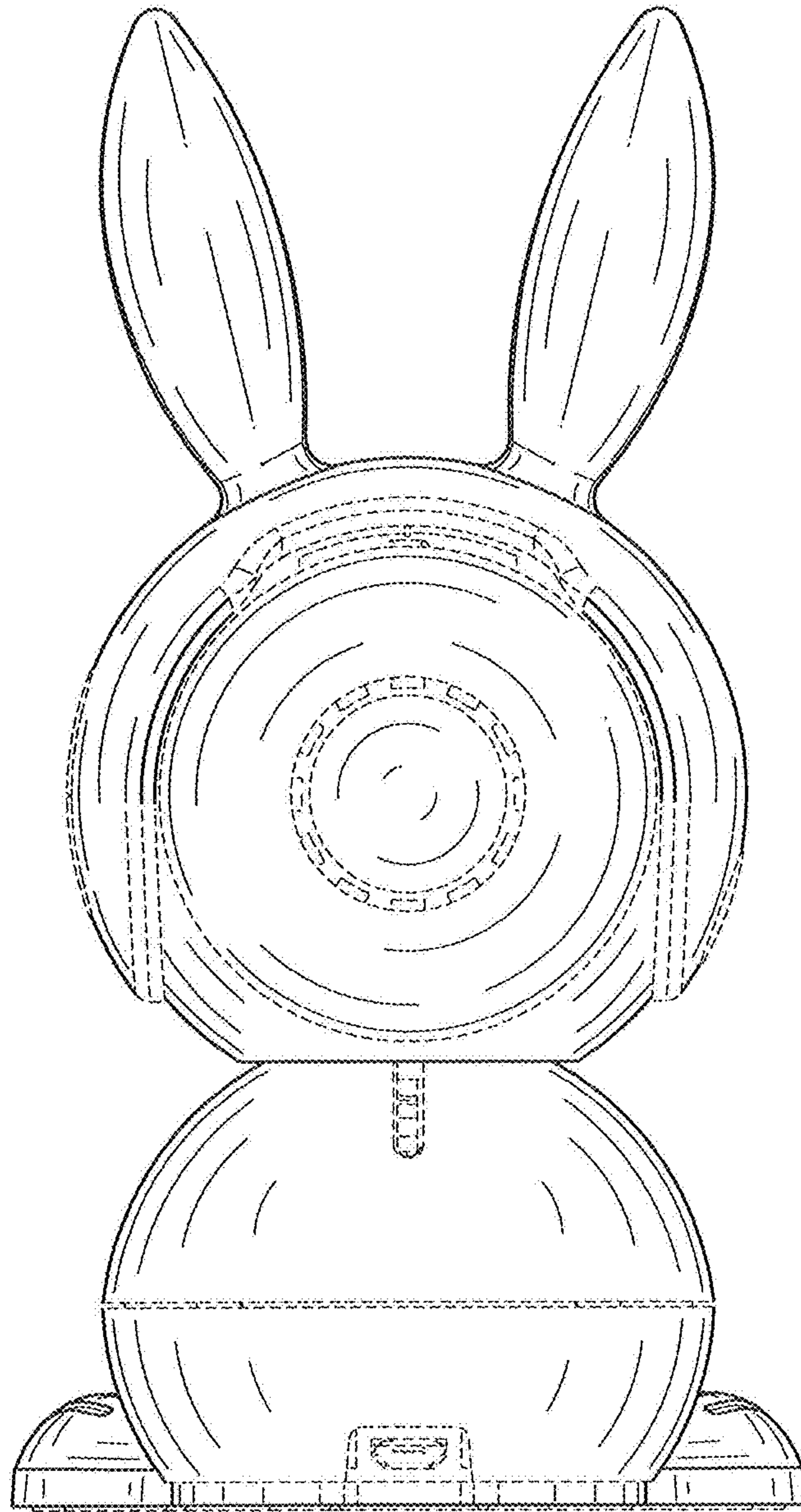


FIG. 4

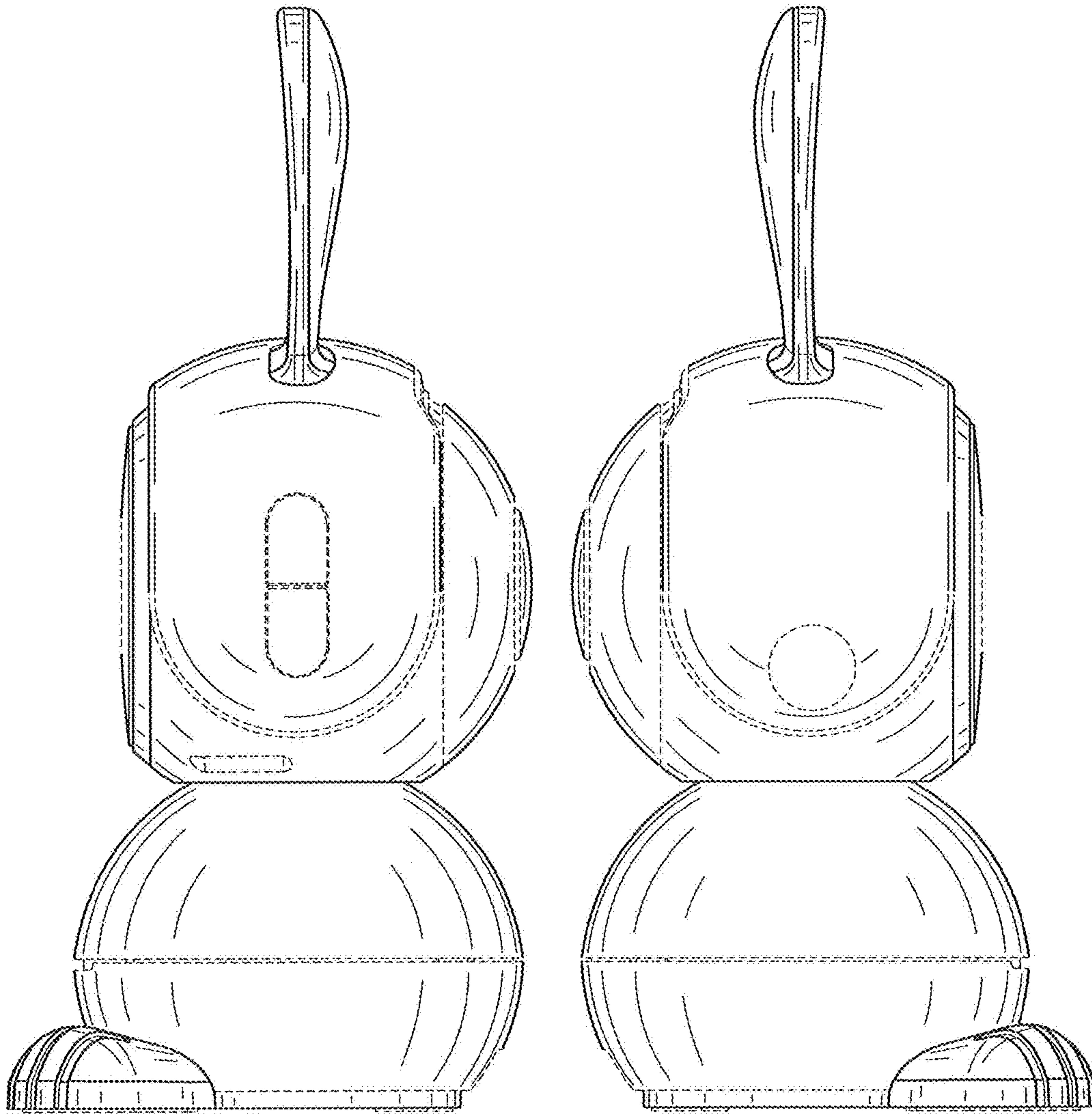


FIG. 5

FIG. 6

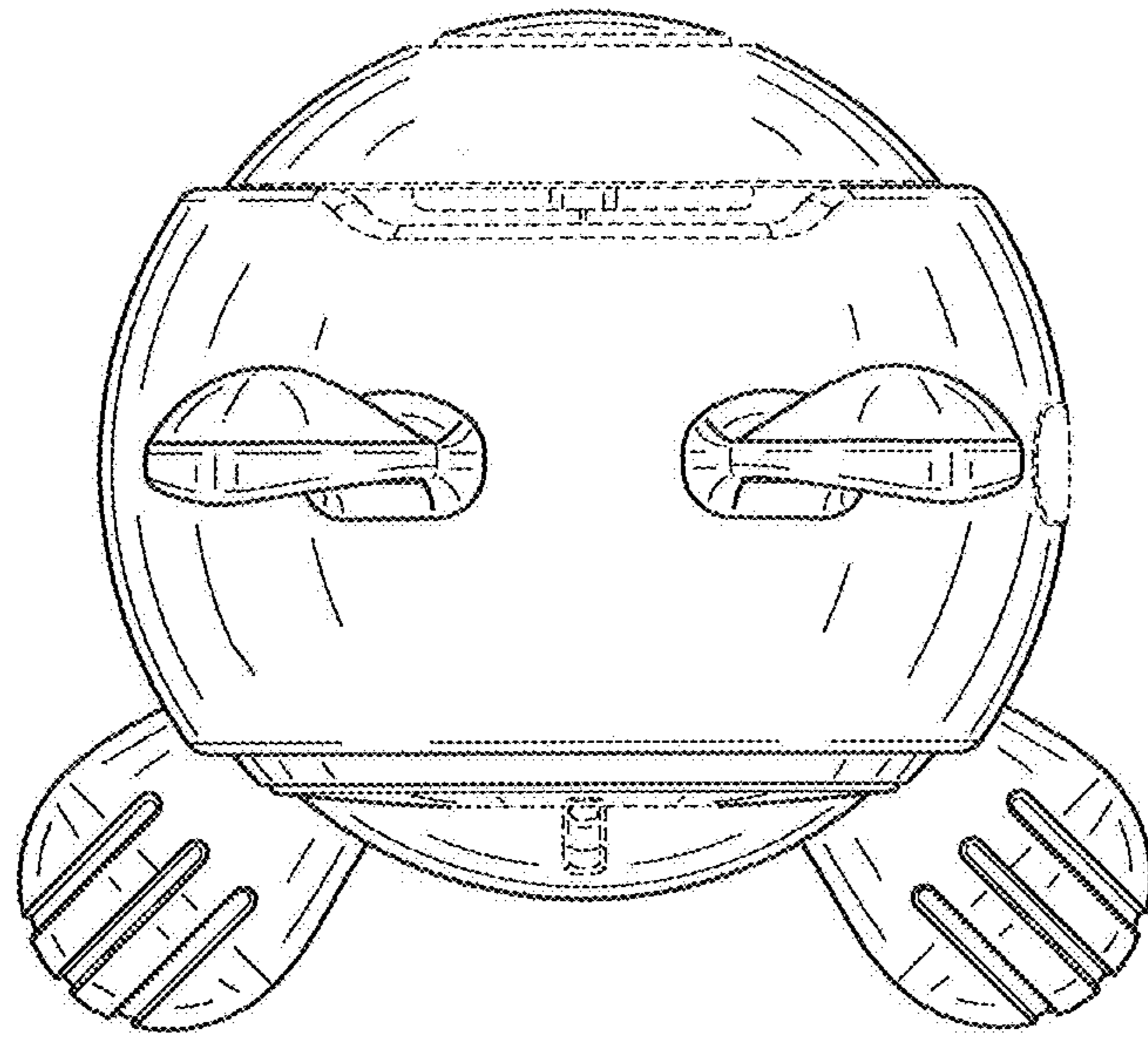


FIG. 7

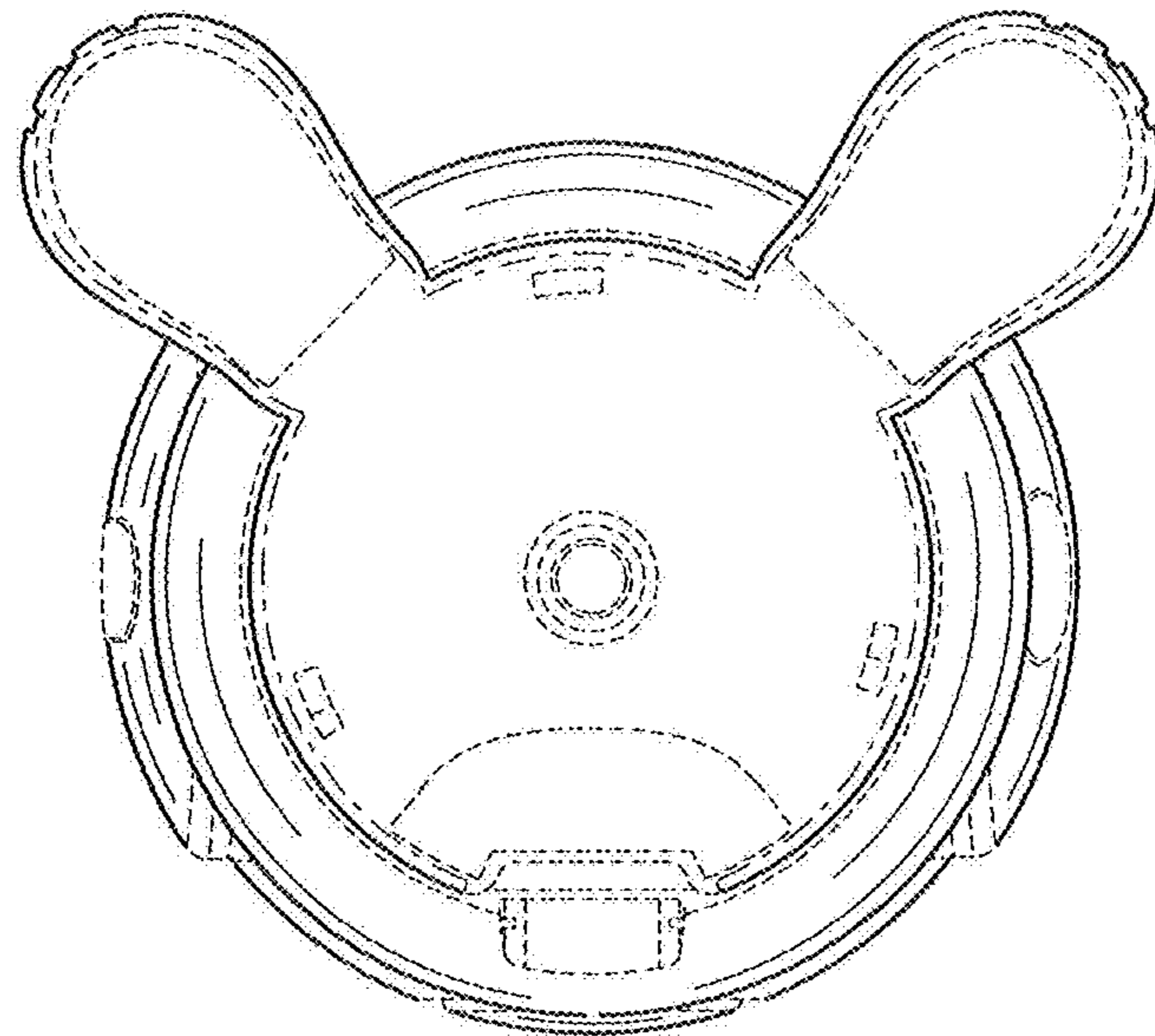


FIG. 8