



US00D822742S

(12) **United States Design Patent**
Hathway et al.

(10) **Patent No.:** **US D822,742 S**
(45) **Date of Patent:** **** Jul. 10, 2018**

(54) **BABY MONITOR CAMERA**

13/19621; F16M 11/04; F16M 13/00;
Y02E 60/12

(71) Applicant: **Netgear, Inc.**, San Jose, CA (US)

See application file for complete search history.

(72) Inventors: **James Hathway**, Delta (CA); **John Kui Yin Ramones**, San Ramon, CA (US); **Jim Blyth**, Farnham (GB); **Louise Bradley**, Basingstoke (GB); **Matt Plested**, Churt (GB)

(56) **References Cited**

U.S. PATENT DOCUMENTS

D66,392 S * 1/1925 Munro D11/158
D123,440 S 11/1940 Vivaudou et al.
D153,762 S * 5/1949 Brenner D11/158

(Continued)

(73) Assignee: **Netgear, Inc.**, San Jose, CA (US)

FOREIGN PATENT DOCUMENTS

(**) Term: **15 Years**

CN 302804559 * 4/2014
CN 303402546 * 10/2015

(Continued)

(21) Appl. No.: **29/577,073**

(22) Filed: **Sep. 9, 2016**

OTHER PUBLICATIONS

(51) **LOC (11) Cl.** **16-01**

(52) **U.S. Cl.**

USPC **D16/203**; D16/202

Baby Monitor, announced Jan. 4, 2017 [online]. [Site visited Aug. 16, 2017] Available from Internet, URL: <<https://www.arlo.com/en-us/products/arlo-baby/default.aspx>>.*

(Continued)

(58) **Field of Classification Search**

USPC D16/200–220, 229, 230, 242, 244, 245, D16/238, 225; D14/496, 203.1, 203.3, D14/203.7, 240, 356, 358; D28/41; D1/109, 107, 106; D2/868, 869, 883, D2/884, 894, 895, 873; D29/122; D12/400; D11/158, 224, 181, 239, 31, D11/49, 82, 100, 128, 157

CPC H04N 7/181; H04N 7/183; H04N 7/18; H04N 3/08; H04N 5/23248; H04N 5/23287; H04N 5/23258; H04N 5/2251; H04N 5/2252; H04N 2007/145; H04N 7/00; G01C 11/025; G02B 5/00; G03B 15/00; G03B 15/03; G03B 17/56; G03B 17/02; G03B 17/30; G03B 17/04; G03B 17/00; G03B 19/04; G03B 3/00; B60R 1/00; B60R 2300/105; G08B 13/19619; G08B 13/1963; G08B 13/19632; G08B

Primary Examiner — Barbara Fox
Assistant Examiner — Mary C Ramirez
(74) *Attorney, Agent, or Firm* — Boyle Fredrickson, S.C.

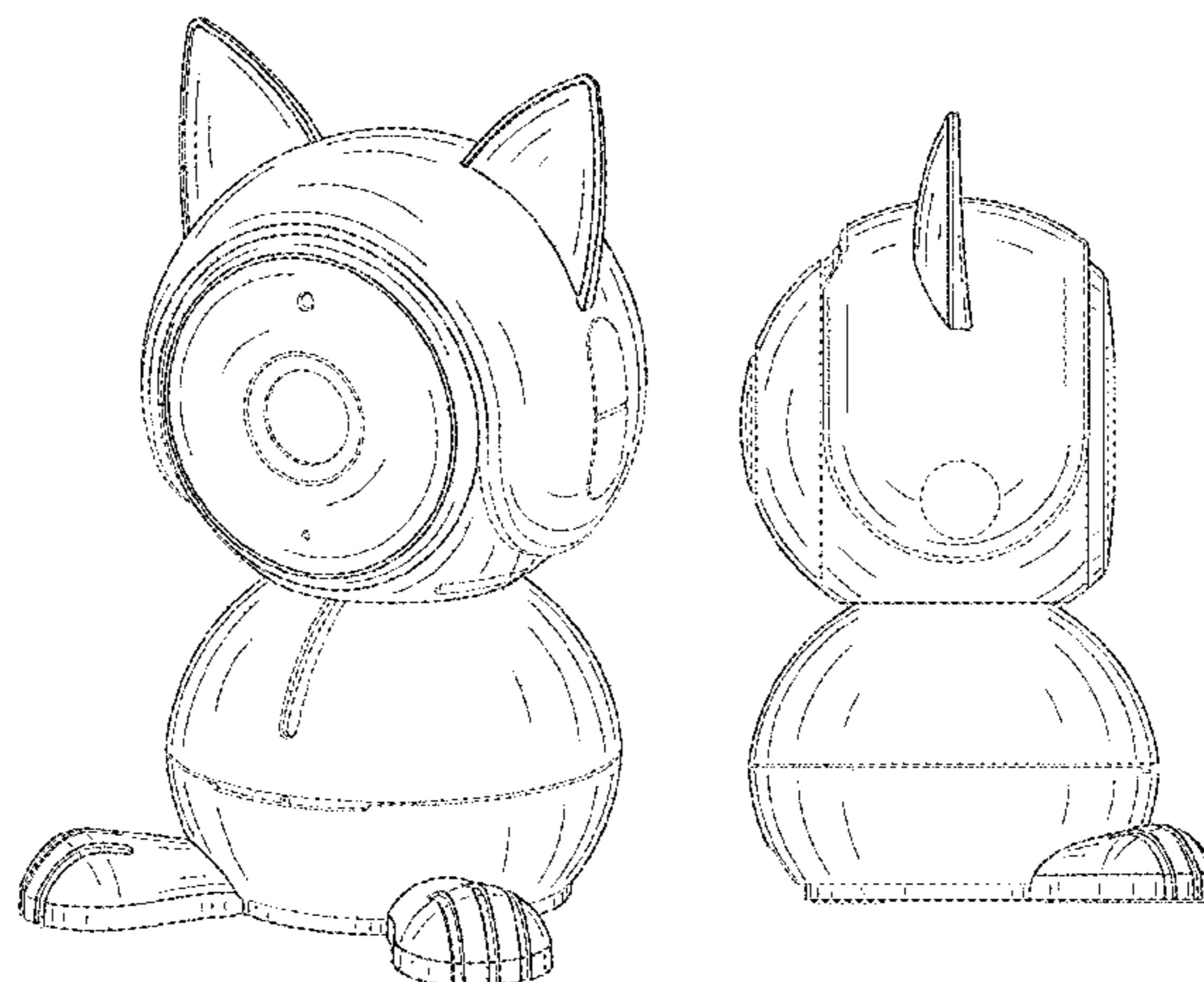
(57) **CLAIM**

The ornamental design for a baby monitor camera, as shown and described.

DESCRIPTION

FIG. 1 is a top, front, right isometric view of a baby monitor camera showing our new design;
FIG. 2 is a top, rear, right isometric view thereof;
FIG. 3 is a front elevation view thereof;
FIG. 4 is a rear elevation view thereof;
FIG. 5 is right side elevation view thereof;
FIG. 6 is a left side elevation view thereof;
FIG. 7 is a top plan view thereof; and,
FIG. 8 is a bottom plan view thereof.

(Continued)



The broken lines shown in the drawings depict portions of the baby monitor camera that form no part of the claimed design.

1 Claim, 6 Drawing Sheets

(56)

References Cited

U.S. PATENT DOCUMENTS

D155,071 S	9/1949	Borrok	
D155,702 S *	10/1949	Ganine	D21/617
D256,705 S *	9/1980	Nakao	D21/604
D303,035 S	8/1989	O'Dunlaing	
D386,182 S	11/1997	Leifer	
D433,432 S *	11/2000	Prather	D16/202
D484,427 S *	12/2003	Ng	D14/159
D552,144 S *	10/2007	Logan	D16/202
D628,223 S *	11/2010	Kao	D16/202
D637,173 S *	5/2011	Elkerbout	D14/159
D643,065 S *	8/2011	van der Lande	D19/142
D648,766 S *	11/2011	Chen	D16/202
D676,018 S *	2/2013	Breines	D14/189
D676,839 S	2/2013	Kwag	
D678,929 S *	3/2013	Hancock	D16/202
D685,283 S *	7/2013	Katoh	D11/1
D705,075 S *	5/2014	Zwettler	D21/576
D716,753 S *	11/2014	Deng	D14/159
D719,957 S *	12/2014	Elliott	D14/440
D731,579 S *	6/2015	Bart	D16/203

D741,931 S *	10/2015	Huang	D16/202
D751,619 S *	3/2016	Jeong	D16/203
D752,692 S *	3/2016	Arias Segui	D21/576
D753,204 S *	4/2016	Luo	D16/202
D757,679 S *	5/2016	Yan	D14/205
D759,767 S	6/2016	Majure Maysan	
D761,497 S *	7/2016	Paculdo	D21/606
D774,710 S *	12/2016	Stiles	D30/160
D782,450 S *	3/2017	Jones	D14/240
D793,105 S	8/2017	George, II et al.	
D795,837 S *	8/2017	Cai	D14/205
D801,948 S *	11/2017	Picunko	D14/205
D809,040 S *	1/2018	Webb, II	D15/199
D810,165 S *	2/2018	Webb	D15/199
D810,169 S *	2/2018	Bhattacharya	D16/203
2017/0195533 A1 *	7/2017	Seo	G02B 7/021

FOREIGN PATENT DOCUMENTS

CN	303635231	*	4/2016
KR	300896392	*	2/2017

OTHER PUBLICATIONS

Arlo Baby, announced 2017 [online], [Site visited Aug. 16, 2017]
 Available from Internet, URL: <<https://www.theverge.com/2017/1/4/14123920/netgear-arlo-baby-monitor-camera-announced>>.*
 U.S. Appl. No. 29/577,075, filed Sep. 9, 2016.
 U.S. Appl. No. 29/577,078, filed Sep. 9, 2016.

* cited by examiner

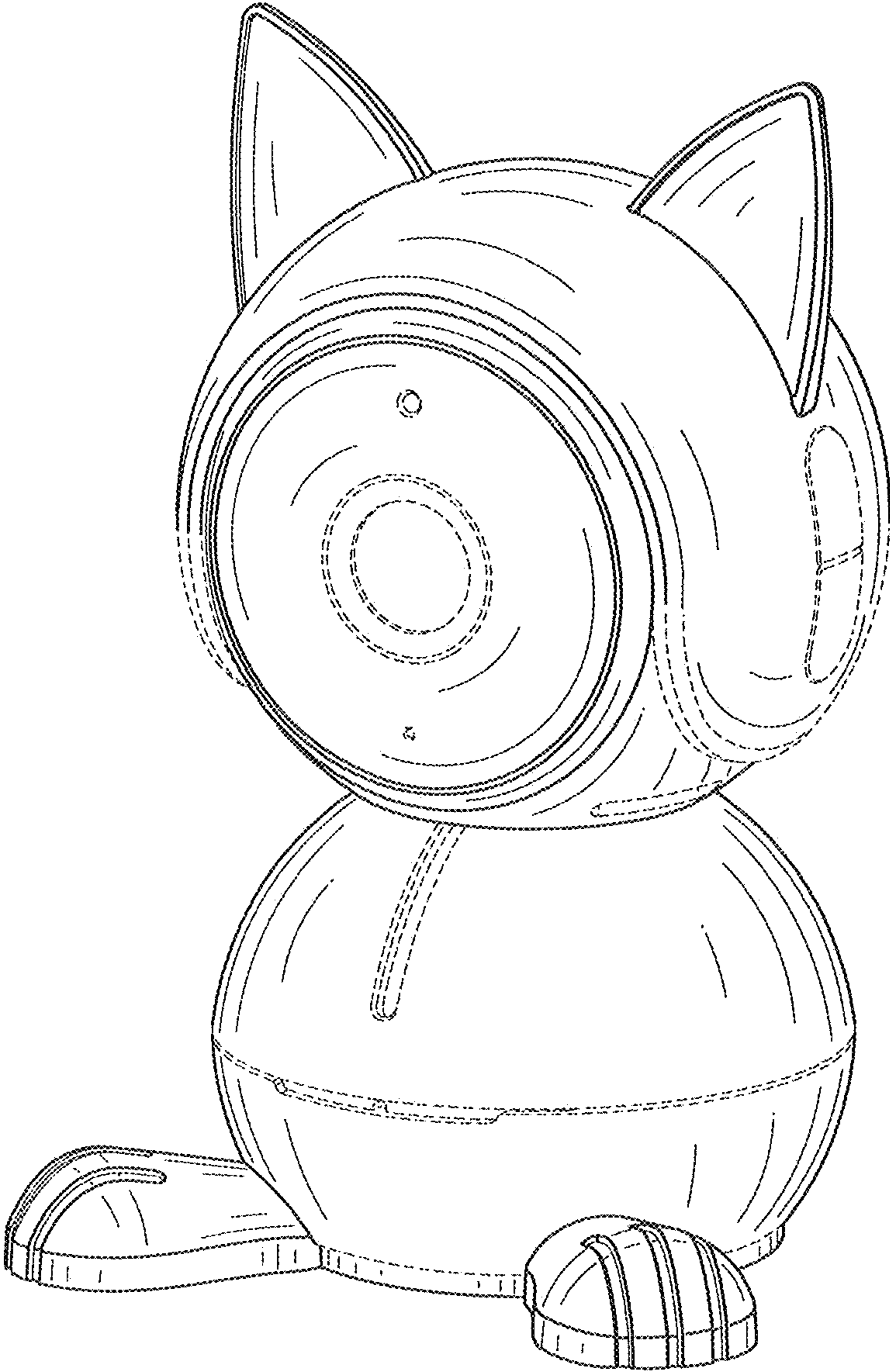


FIG. 1

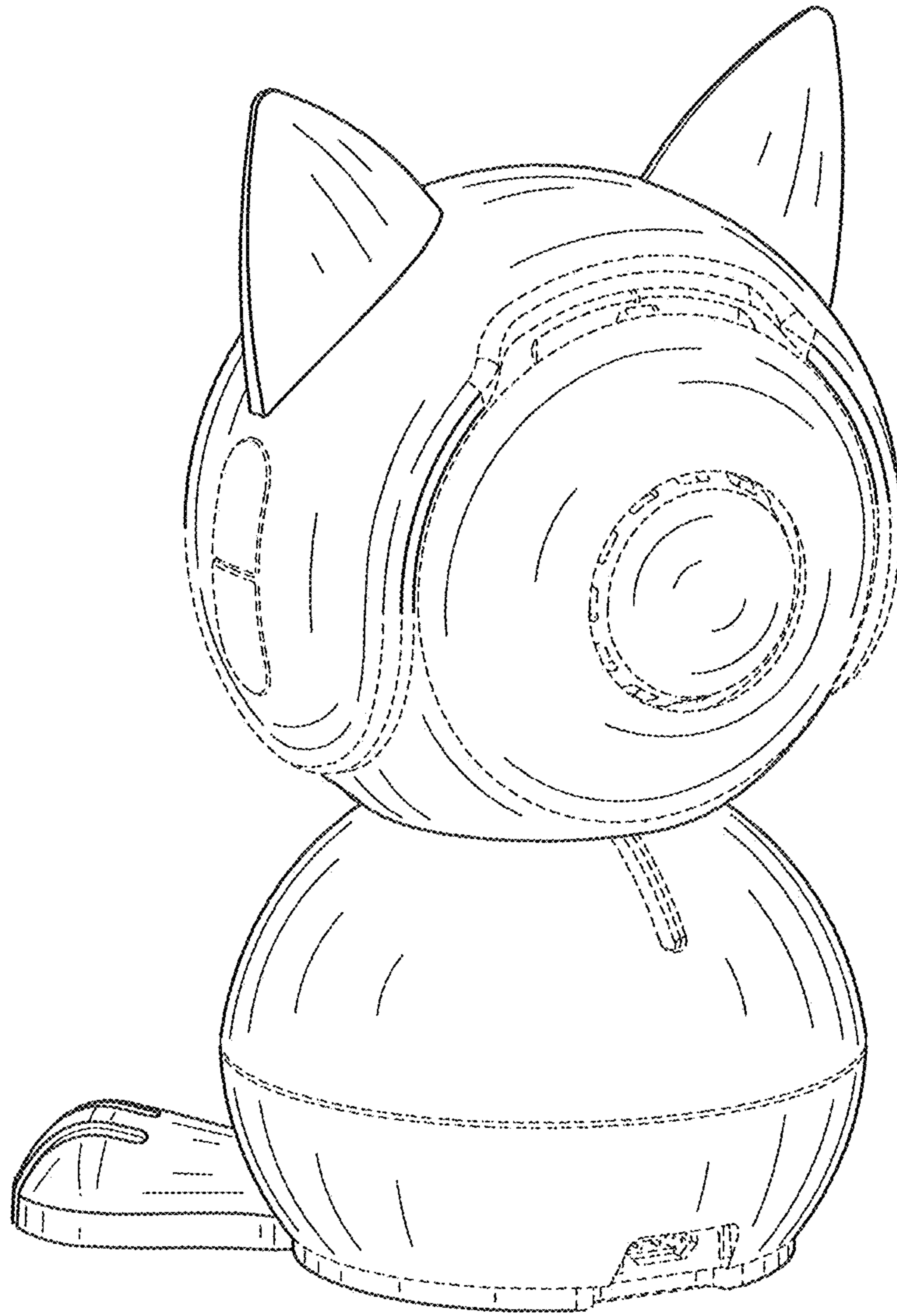


FIG. 2

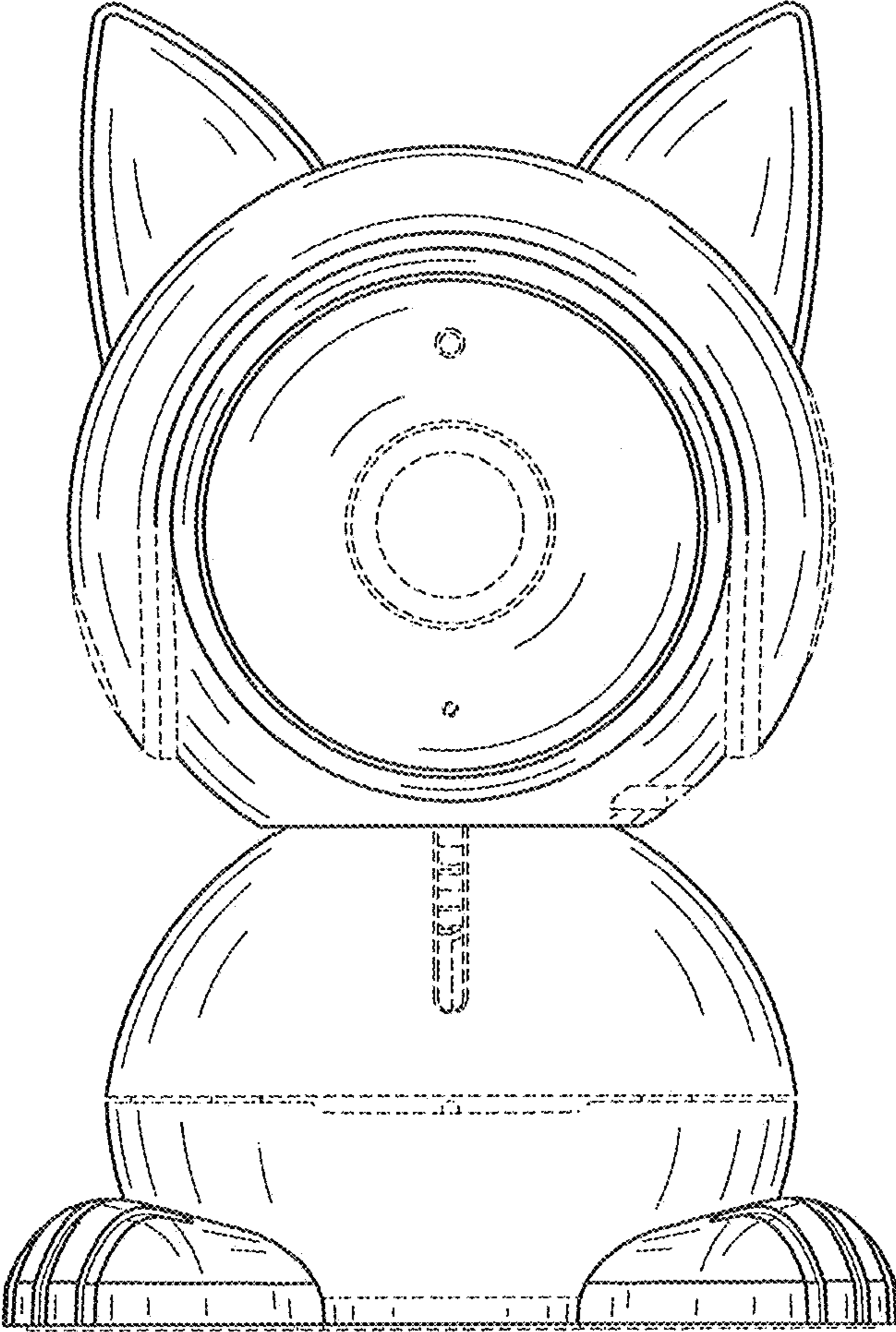


FIG. 3

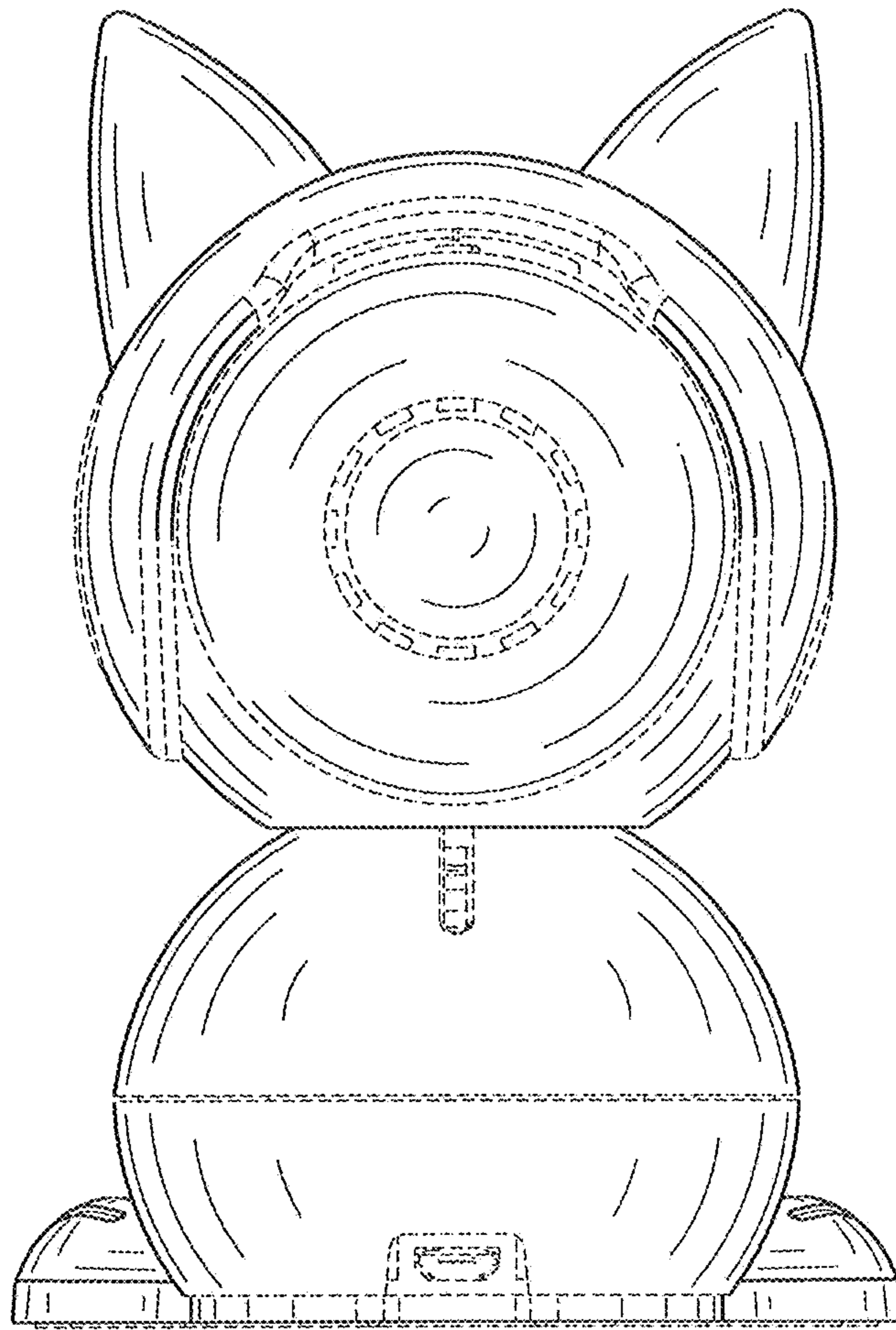


FIG. 4

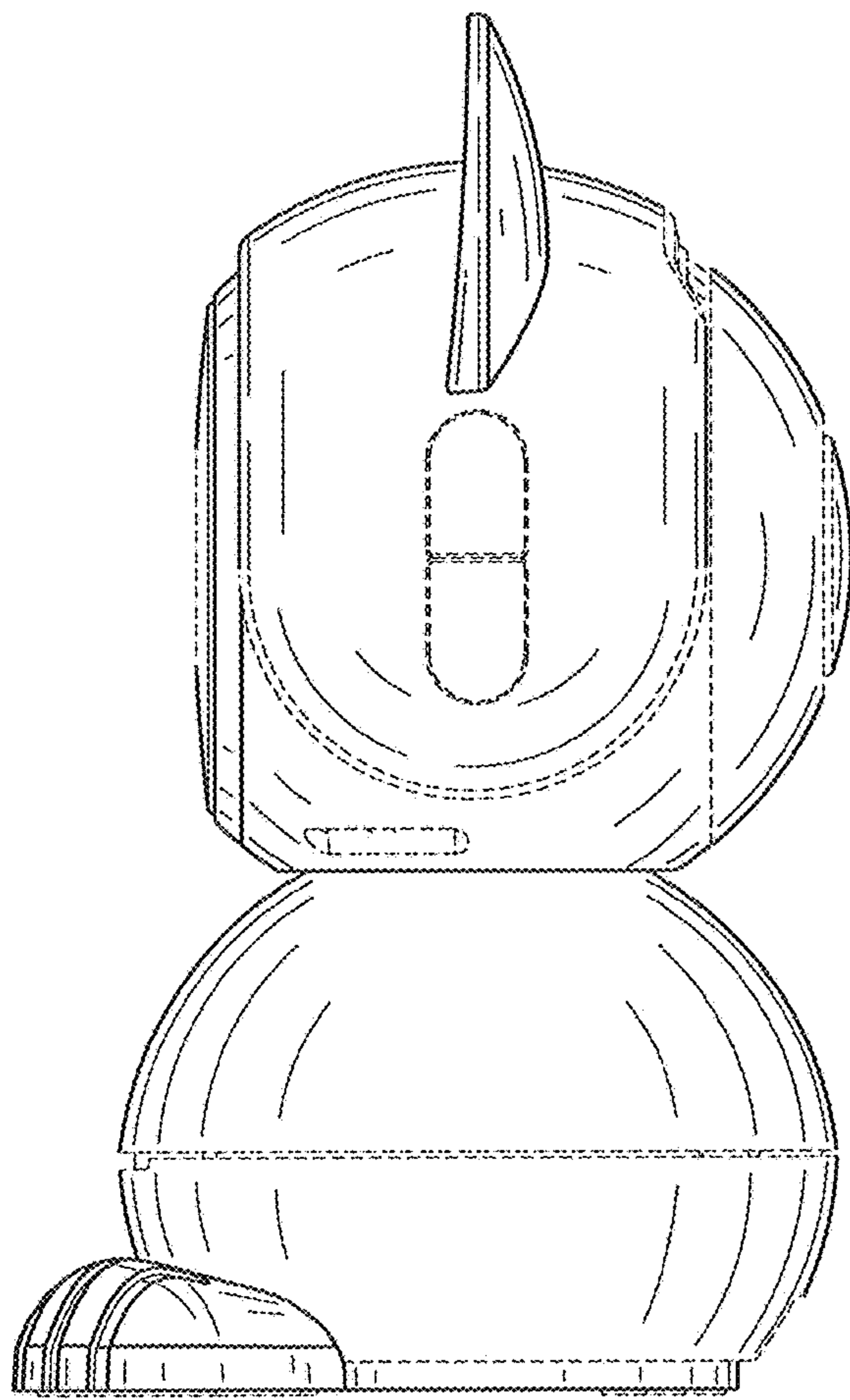


FIG. 5

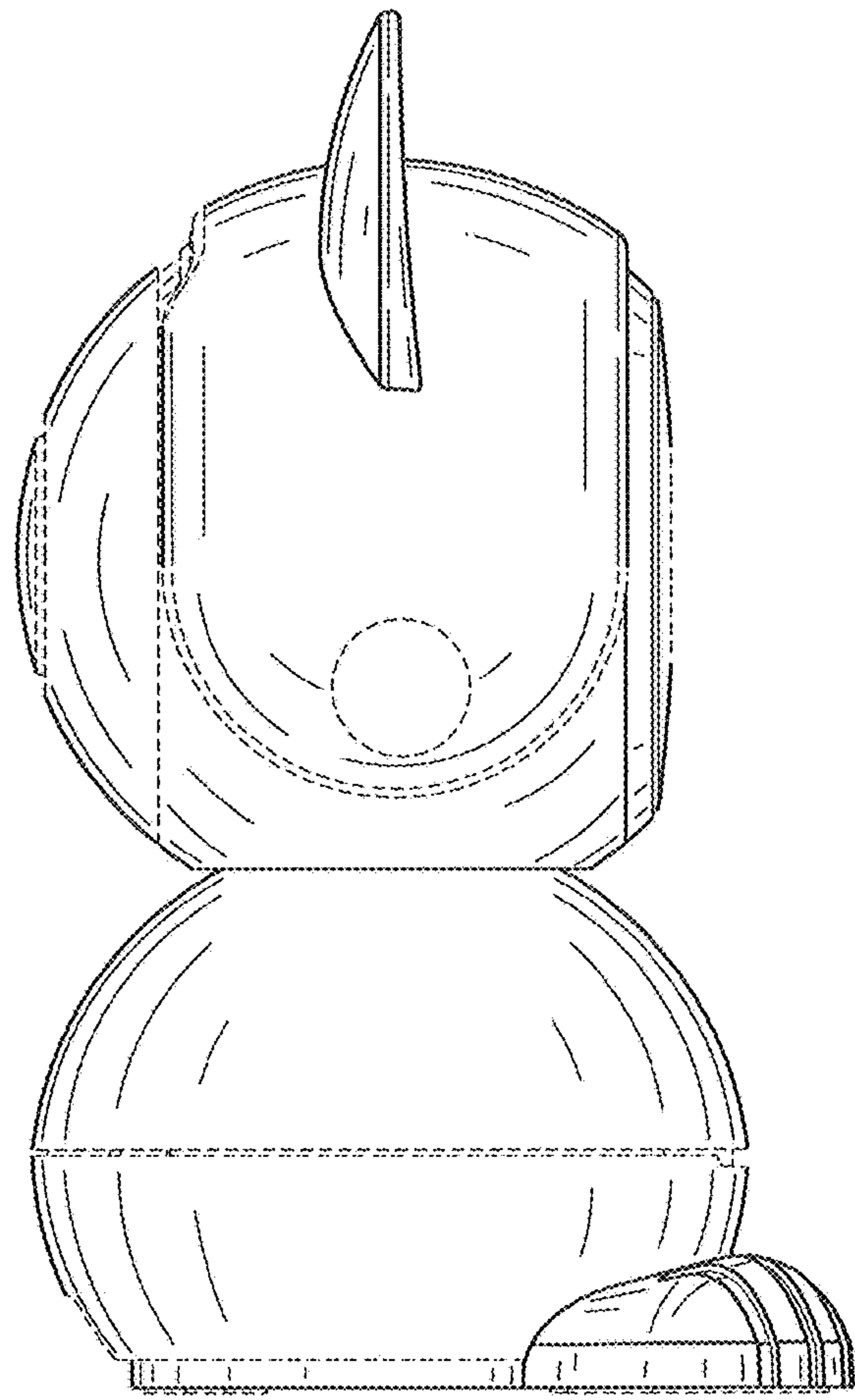


FIG. 6

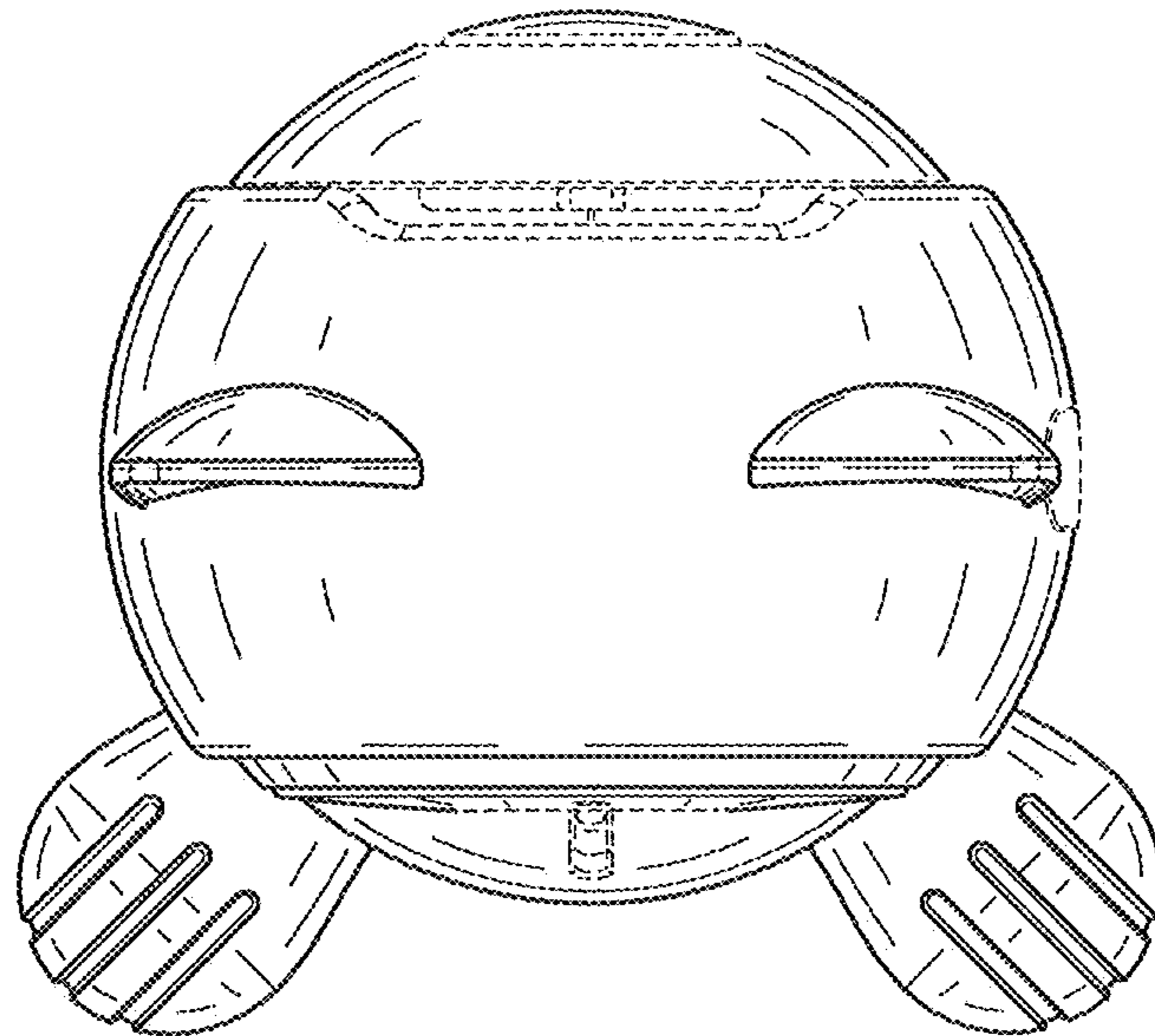


FIG. 7

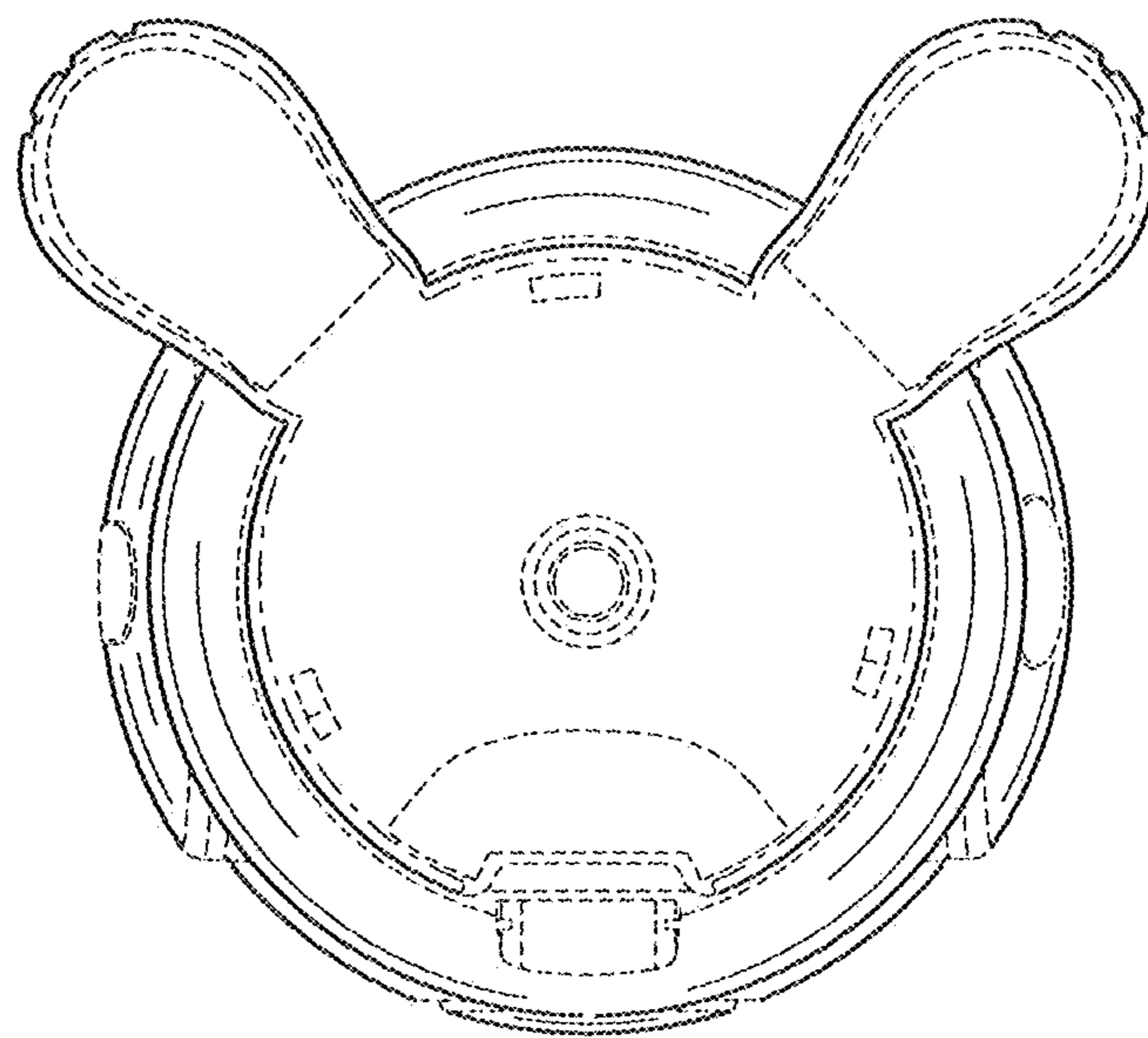


FIG. 8