



US00D822741S

(12) **United States Design Patent**
Huang

(10) **Patent No.:** **US D822,741 S**

(45) **Date of Patent:** **** Jul. 10, 2018**

(54) **MAGNIFIER WITH LIGHTING
ARRANGEMENT**

(71) Applicant: **Kuan Da Huang**, Alhambra, CA (US)

(72) Inventor: **Kuan Da Huang**, Alhambra, CA (US)

(**) Term: **15 Years**

(21) Appl. No.: **29/569,571**

(22) Filed: **Jun. 29, 2016**

(51) **LOC (11) Cl.** **16-06**

(52) **U.S. Cl.**
USPC **D16/135**

(58) **Field of Classification Search**
USPC D24/138; D26/37, 62, 60;
D16/130-136; D14/250; D10/106.9
CPC F21L 2/00; F21L 4/00; F21L 4/005; F21L
17/00; F21L 13/08; F21Y 2101/00; F21V
21/406; F21W 2131/406; F21W 2131/407
See application file for complete search history.

(56) **References Cited**

U.S. PATENT DOCUMENTS

D275,401 S *	9/1984	Henkels	D16/135
D298,634 S *	11/1988	Yuen	D16/135
D395,720 S *	6/1998	Galli	D26/37
D477,432 S *	7/2003	Parsons	D26/37
D565,215 S *	3/2008	Lee	D26/37
D571,941 S *	6/2008	Lee	D26/37
D585,470 S *	1/2009	Cetera	D16/135

D589,546 S *	3/2009	Levine	D16/135
7,575,329 B2 *	8/2009	Bennett, Jr.	G02B 25/005 353/43
D615,676 S *	5/2010	Lee	D26/37
D662,636 S *	6/2012	Katsaros	D26/60
D695,731 S *	12/2013	Adami	D14/250
D699,141 S *	2/2014	Walker	D10/106.9
D741,928 S *	10/2015	Huang	D16/135
D774,582 S *	12/2016	Tang	D16/135
D781,947 S *	3/2017	Huang	D16/135

* cited by examiner

Primary Examiner — Sheryl Lane

Assistant Examiner — Jennifer M Campbell

(74) *Attorney, Agent, or Firm* — Tsz Lung Yeung

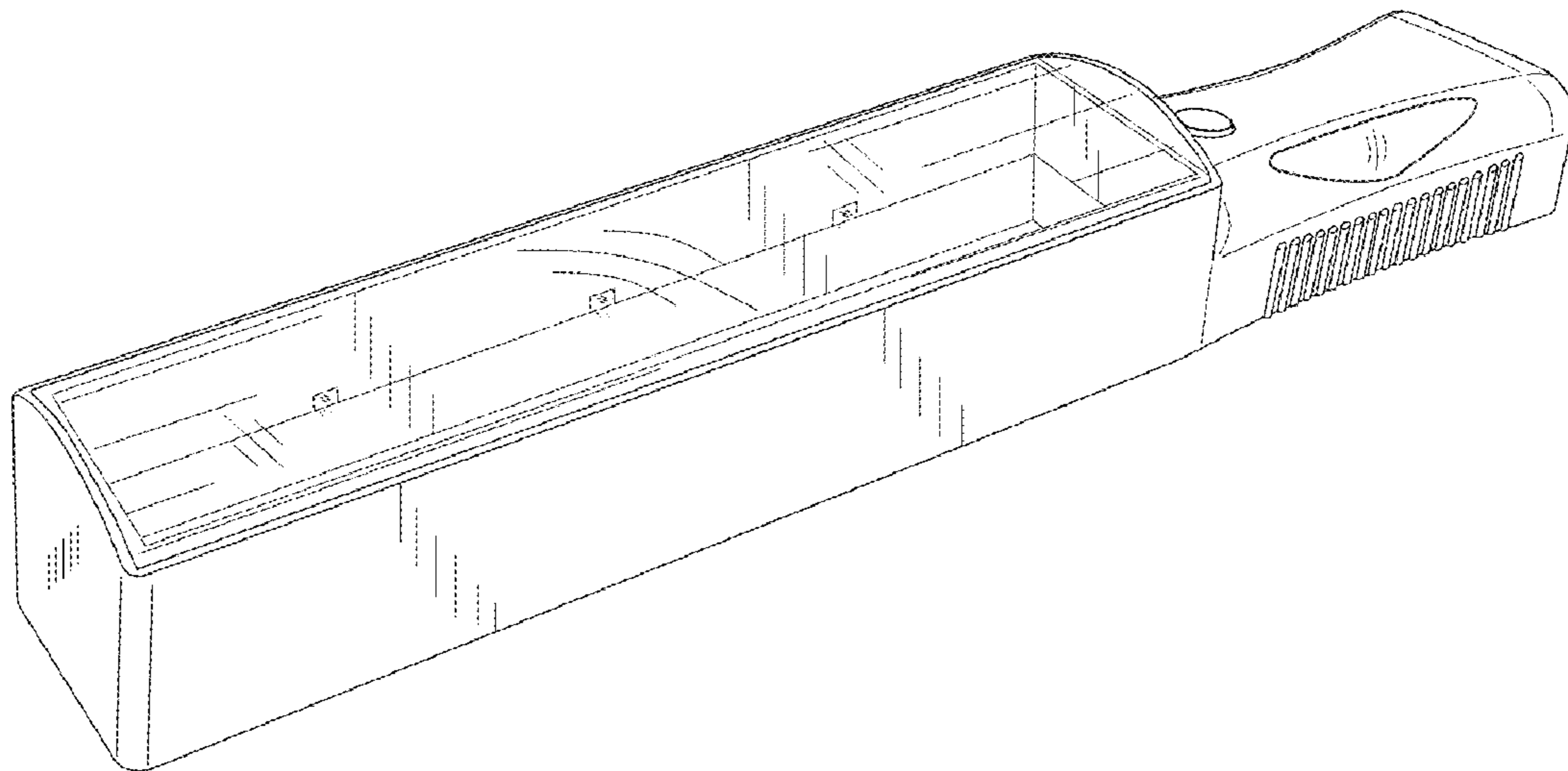
(57) **CLAIM**

The ornamental design for a magnifier with lighting arrangement, as shown and described.

DESCRIPTION

FIG. 1 is a top perspective view of a magnifier with lighting arrangement showing my new design.
FIG. 2 is a front view thereof.
FIG. 3 is a rear view thereof.
FIG. 4 is a right end view thereof.
FIG. 5 is a left end view thereof.
FIG. 6 is a top view thereof.
FIG. 7 is a bottom view thereof; and,
FIG. 8 is a bottom perspective view thereof.

1 Claim, 7 Drawing Sheets



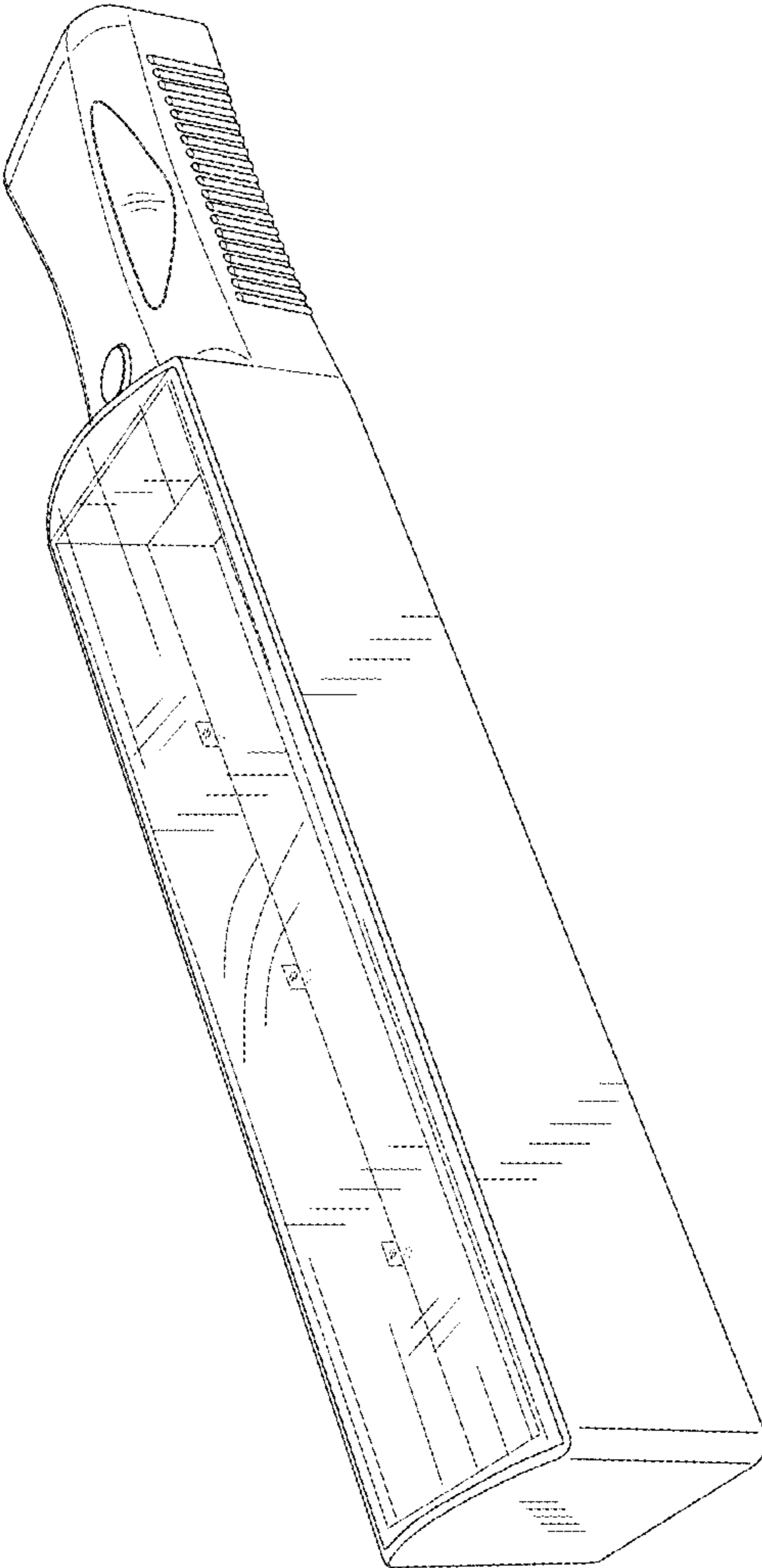


FIG. 1

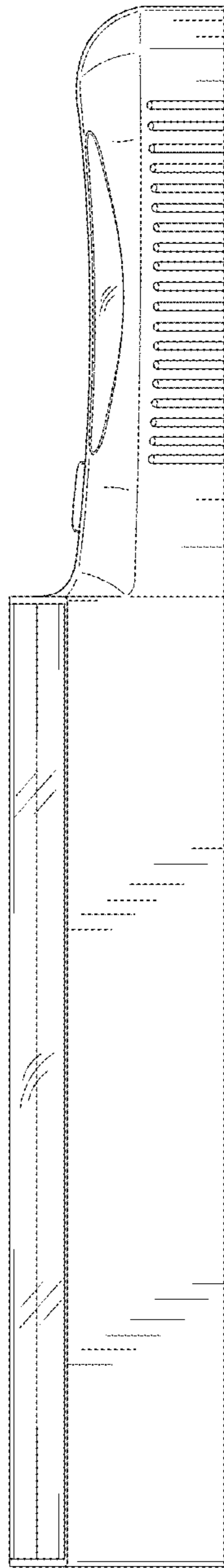


FIG. 2

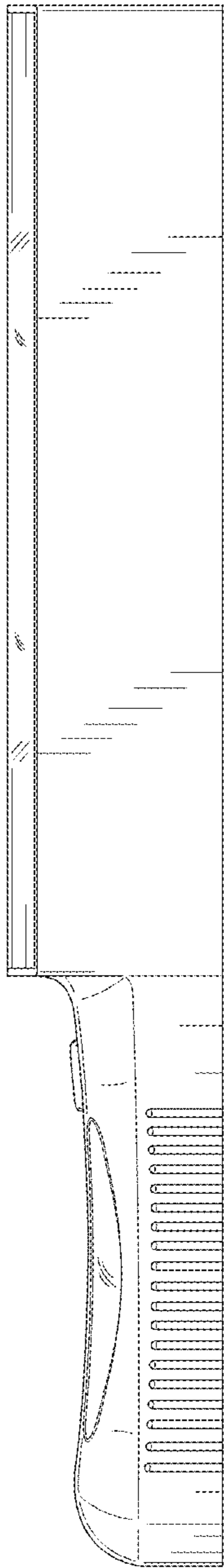


FIG. 3

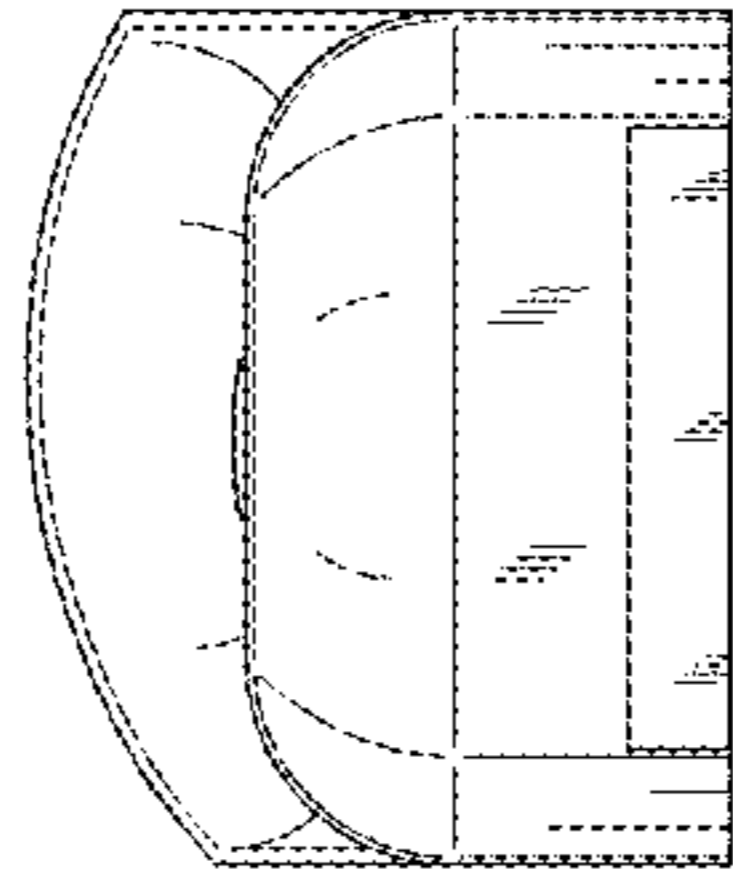


FIG. 4

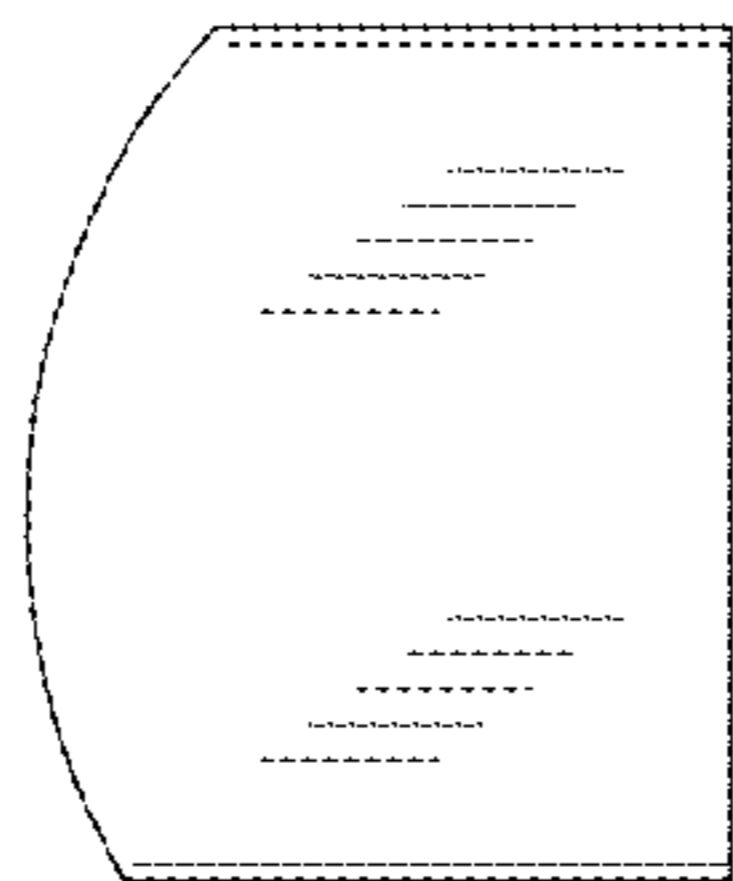


FIG. 5

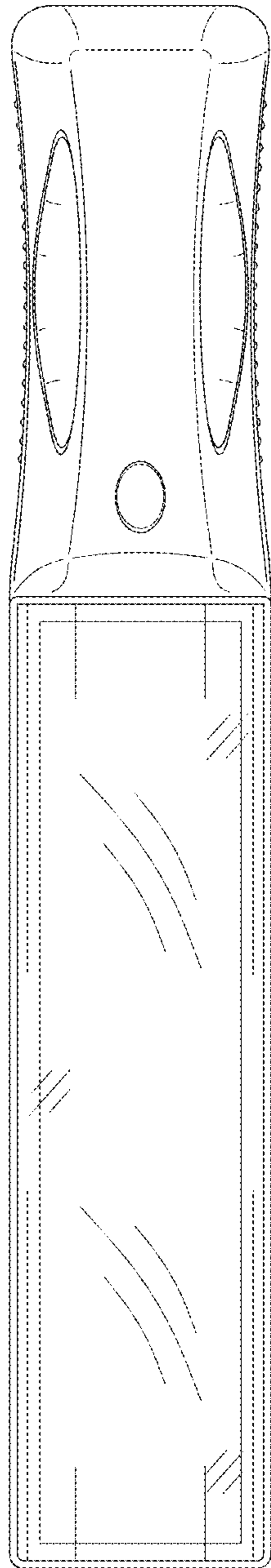


FIG. 6

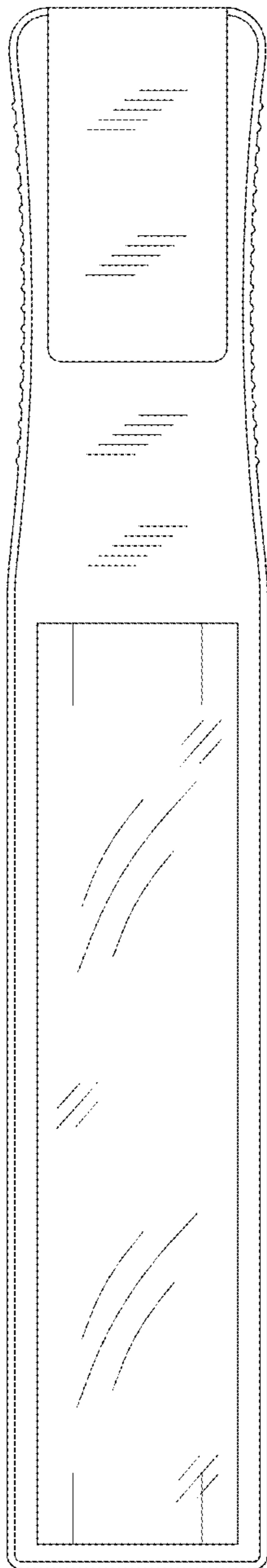


FIG. 7

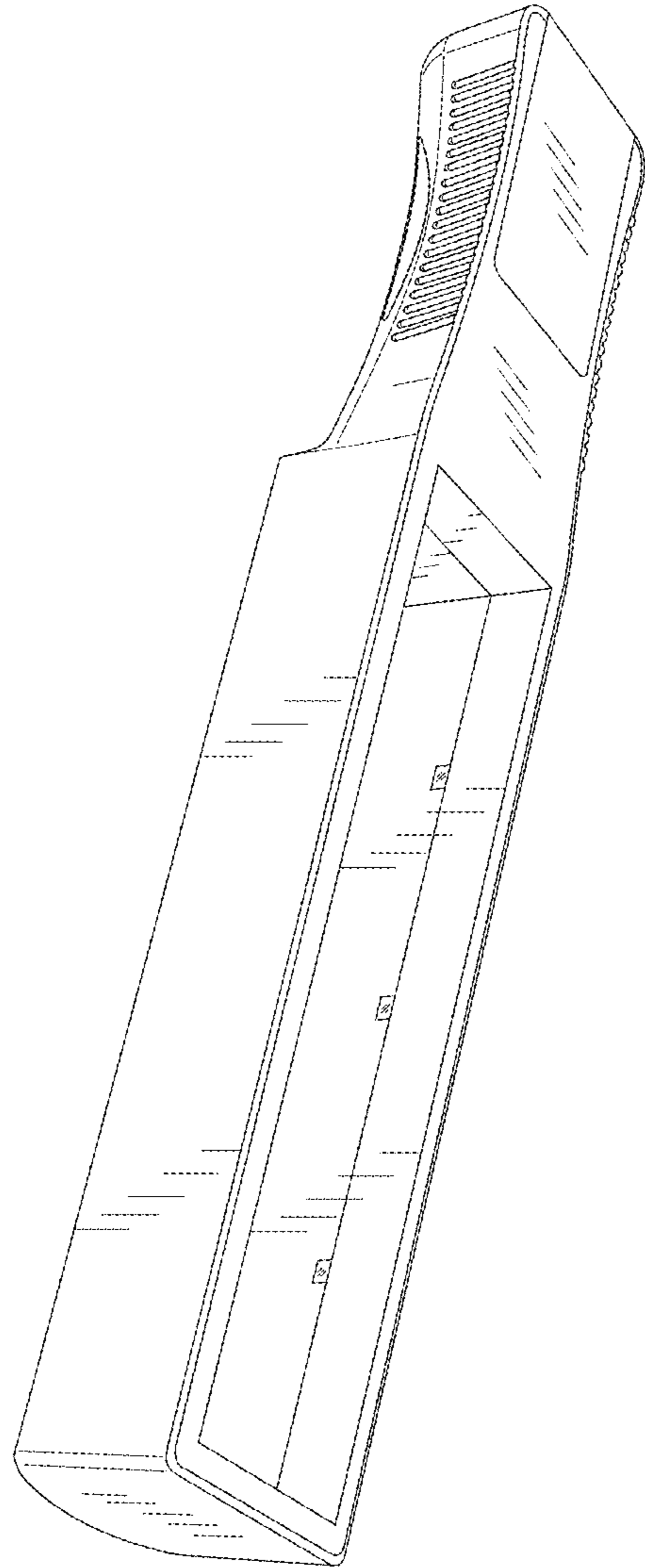


FIG. 8