



US00D822740S

(12) **United States Design Patent** (10) **Patent No.:** **US D822,740 S**
Tsai (45) **Date of Patent:** **** Jul. 10, 2018**

(54) **ROBOT**
(71) Applicant: **AROBOT INNOVATION CO., LTD.,**
Taipei (TW)
(72) Inventor: **Shih-Huang Tsai,** New Taipei (TW)
(73) Assignee: **AROBOT INNOVATION CO., LTD.,**
Taipei (TW)

(**) Term: **15 Years**
(21) Appl. No.: **29/613,342**

(22) Filed: **Aug. 9, 2017**

(30) **Foreign Application Priority Data**

May 19, 2017 (TW) 106302714

(51) **LOC (11) Cl.** **15-99**

(52) **U.S. Cl.**
USPC **D15/199**

(58) **Field of Classification Search**
USPC D15/199; D21/578-583, 621, 622
CPC B25J 5/007; B60B 19/006; B62D 57/024;
H01F 7/0221; Y10S 901/01
See application file for complete search history.

(56) **References Cited**

U.S. PATENT DOCUMENTS

D285,599 S * 9/1986 Forino D21/578
D450,788 S * 11/2001 Kawasaki D21/578
D453,199 S * 1/2002 Sawai D21/578
D460,131 S * 7/2002 Koshiishi D21/578
D541,353 S * 4/2007 Takahashi D21/578
D549,756 S * 8/2007 Park D15/199

D608,845 S * 1/2010 Tang D21/585
D635,603 S * 4/2011 Paz Rodriguez D15/199
D685,438 S * 7/2013 Fan D15/199
D688,329 S * 8/2013 Vinh Hoang D15/199
D695,345 S * 12/2013 Park D19/59
D710,953 S * 8/2014 Katsutani D15/199
D761,894 S * 7/2016 Ho D15/199
D781,945 S * 3/2017 Uno D15/199
D794,692 S * 8/2017 Haranaka D15/199
D806,805 S * 1/2018 Takahashi D21/578
2015/0224640 A1* 8/2015 Vu B25J 5/007
700/259
2016/0229058 A1* 8/2016 Pinter G06Q 50/22
2018/0043838 A1* 2/2018 Ellerman B60R 11/00
2018/0043952 A1* 2/2018 Ellerman B60K 1/00

* cited by examiner

Primary Examiner — Patricia Ann Palasik
(74) *Attorney, Agent, or Firm* — Li & Cai Intellectual
Property (USA) Office

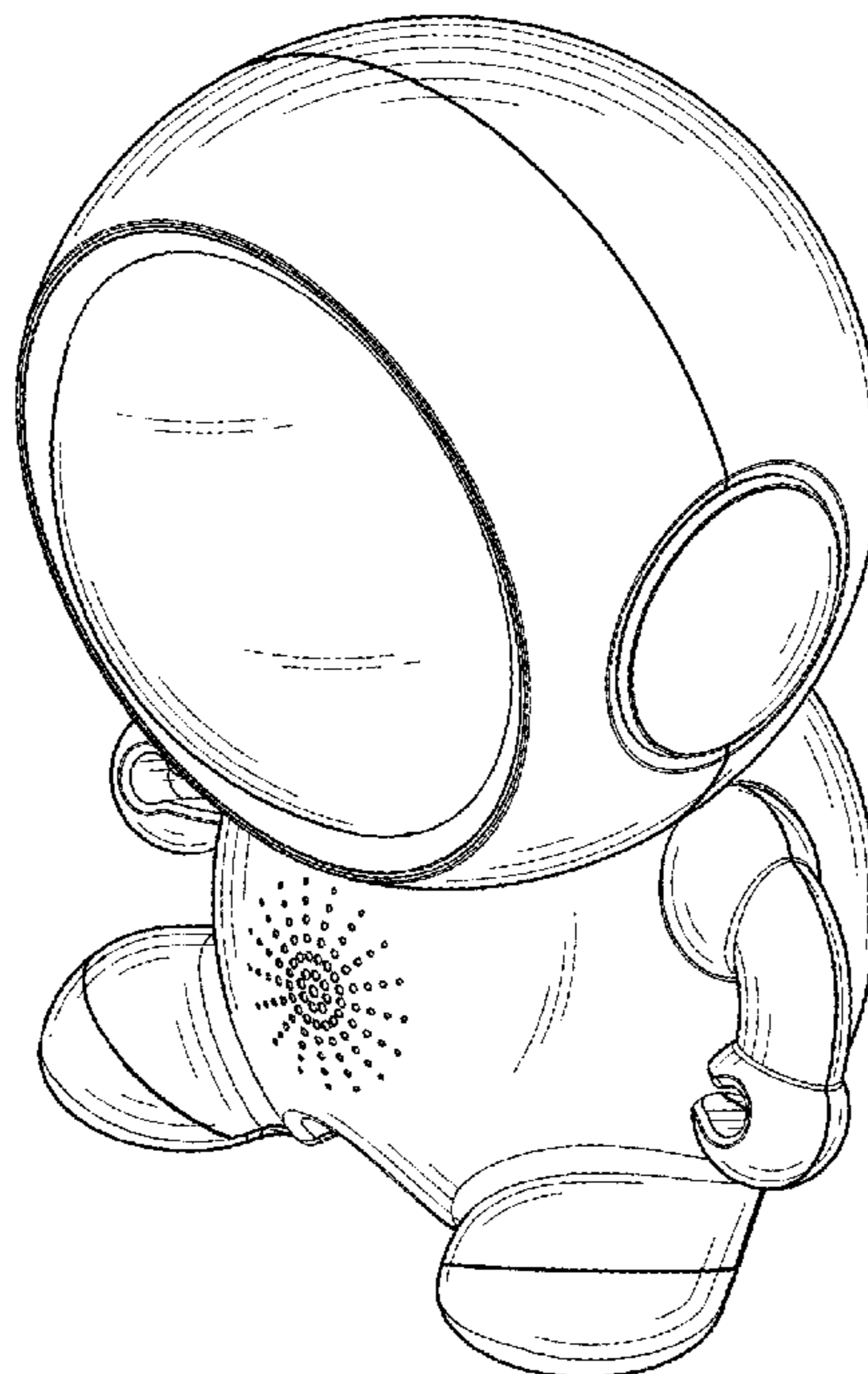
(57) **CLAIM**

The ornamental design for a robot, as shown and described.

DESCRIPTION

FIG. 1 is a perspective view of a robot showing our new design;
FIG. 2 is a front view thereof;
FIG. 3 is a rear view thereof;
FIG. 4 is a left side view thereof;
FIG. 5 is a right side view thereof;
FIG. 6 is a top view thereof;
FIG. 7 is a bottom view thereof; and,
FIG. 8 is a perspective view viewed from another visual angle thereof.

1 Claim, 7 Drawing Sheets



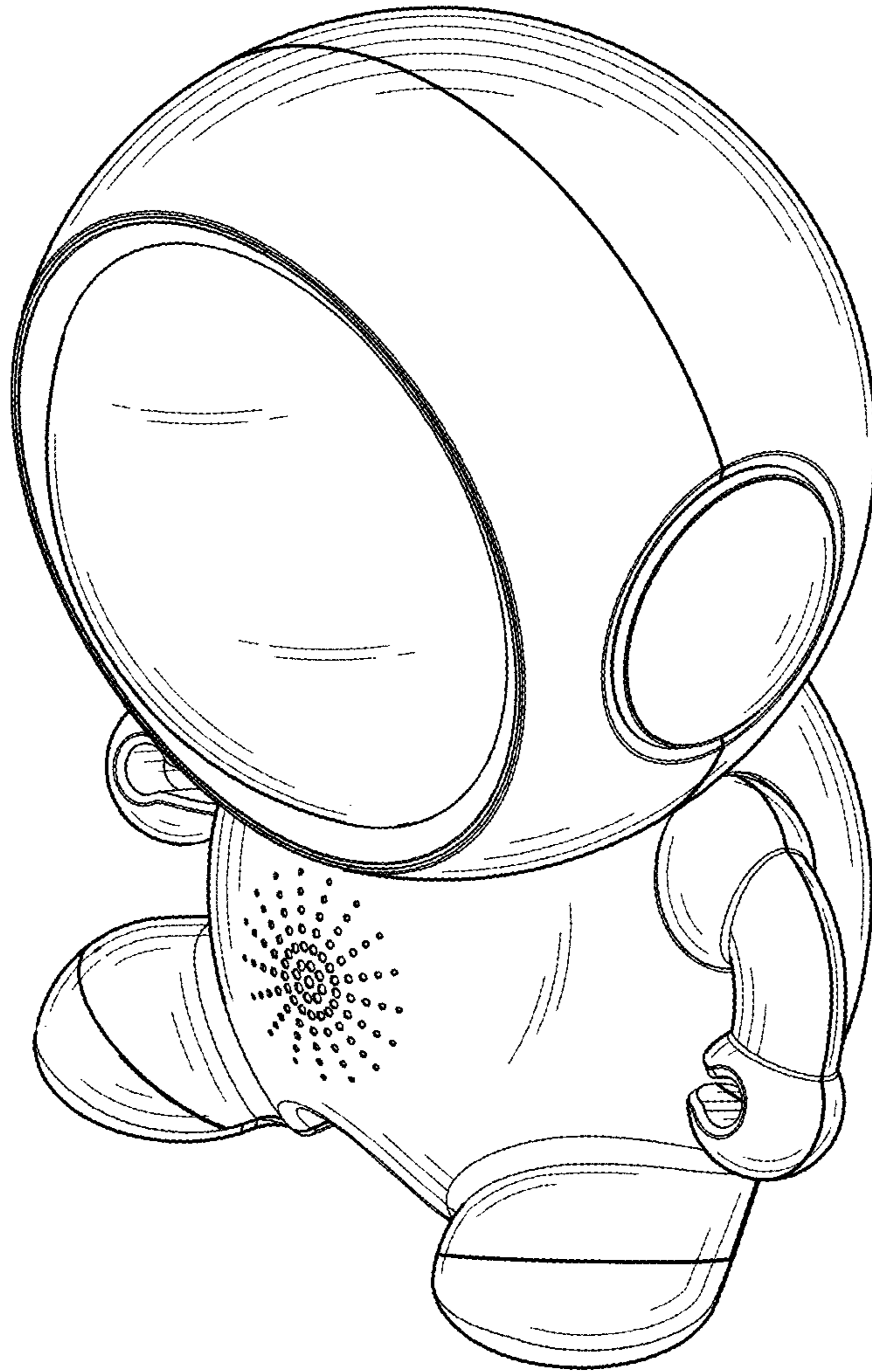


FIG. 1

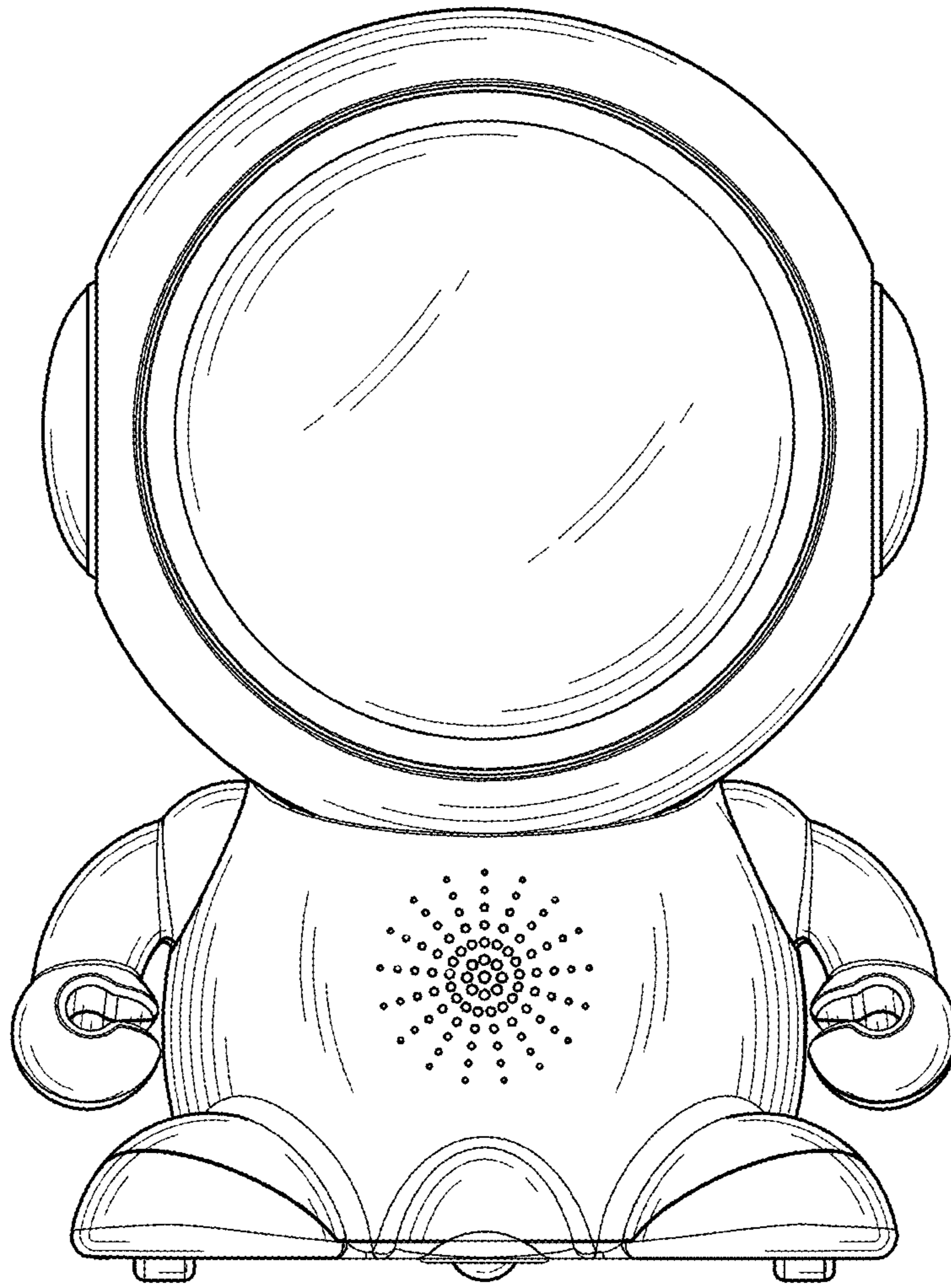


FIG. 2

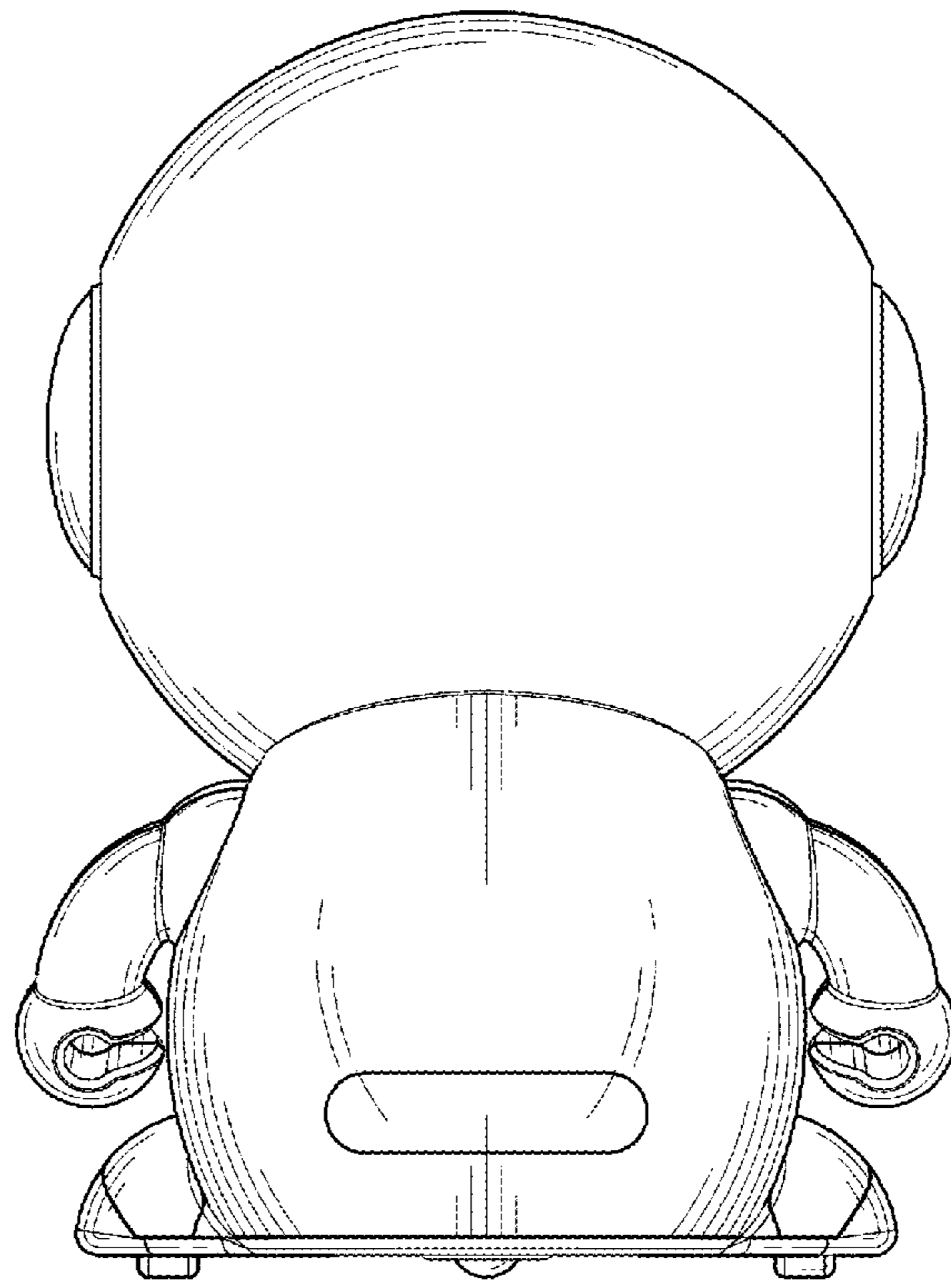


FIG. 3

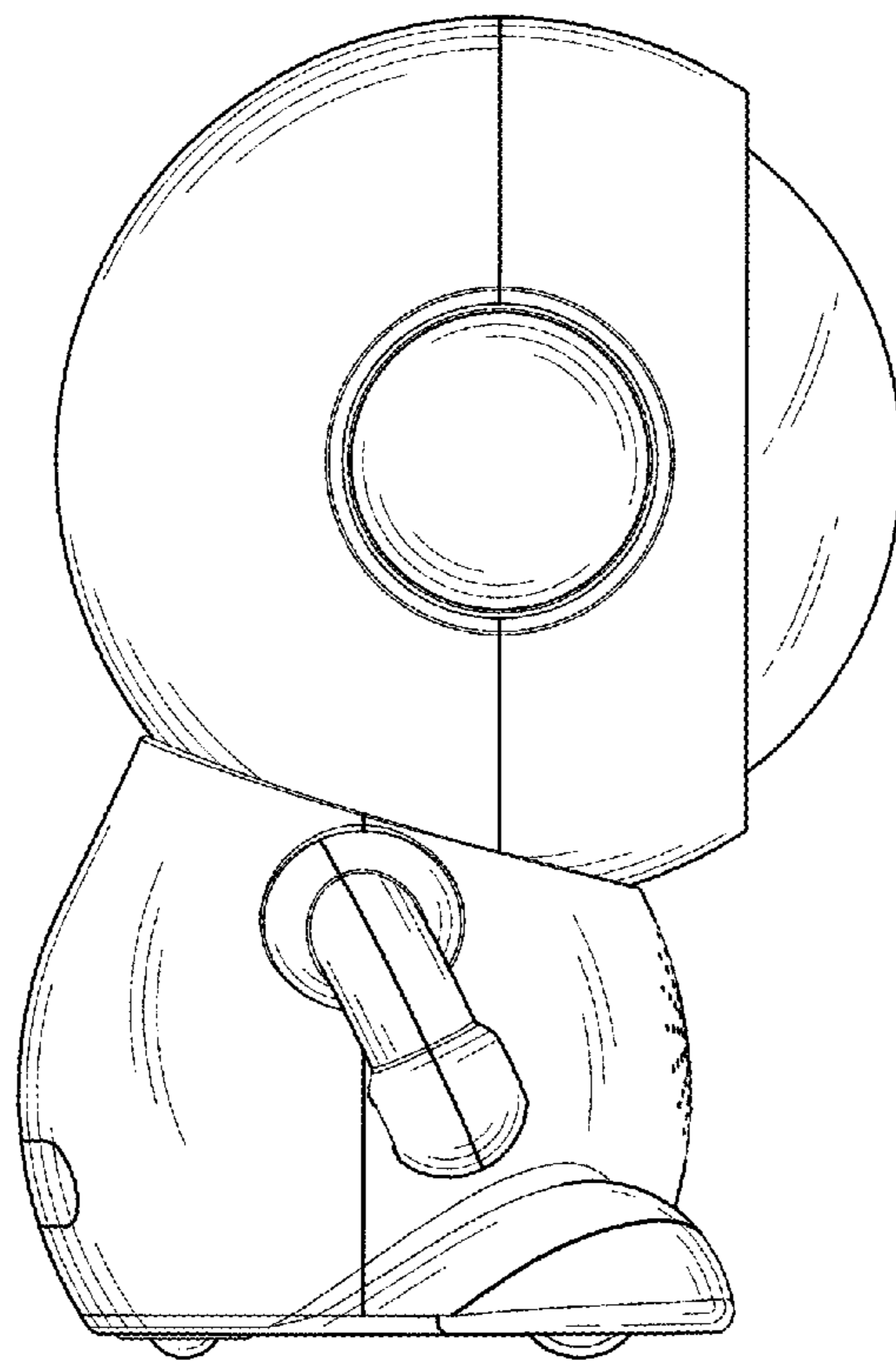


FIG. 4

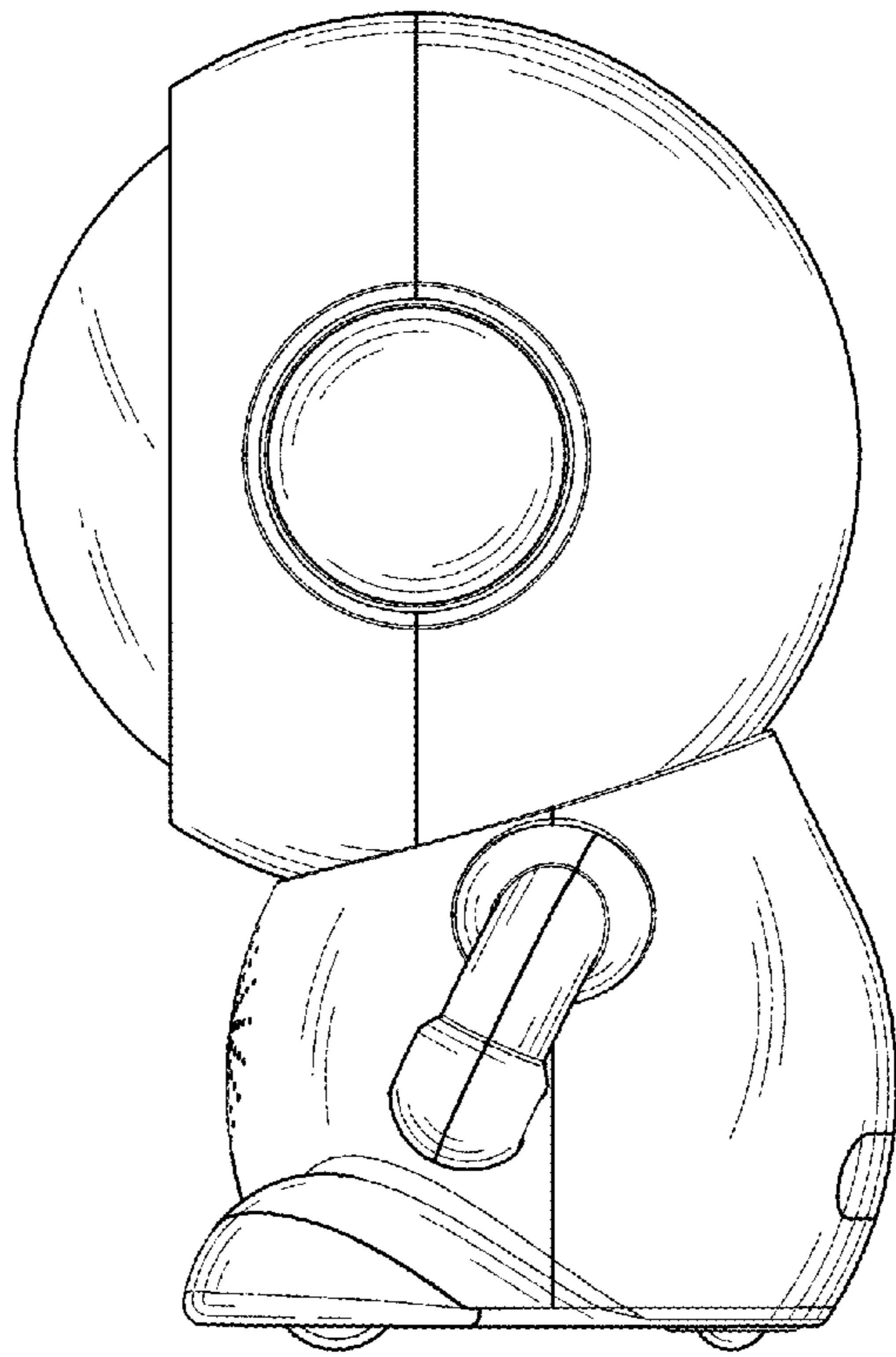


FIG. 5

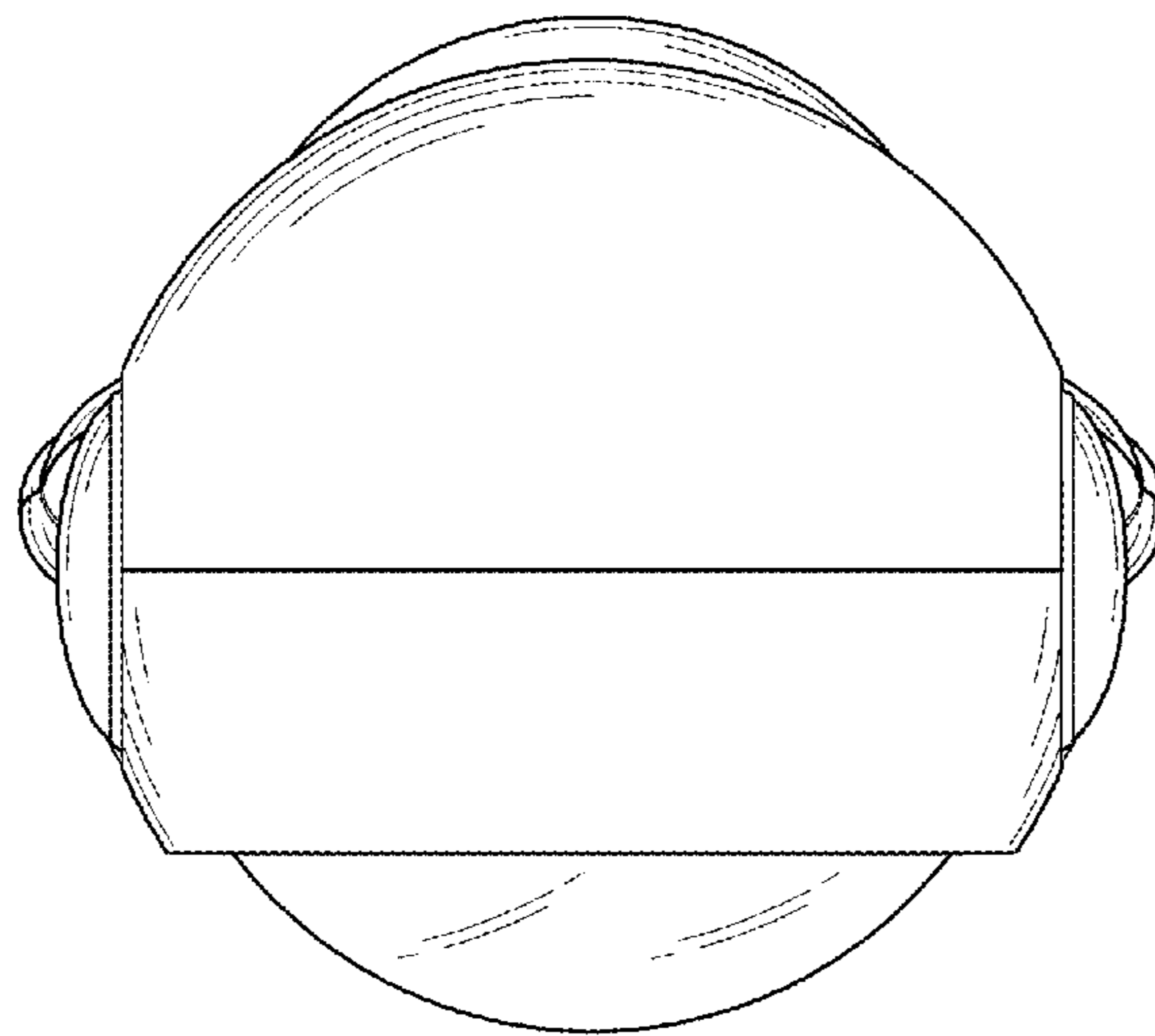


FIG. 6

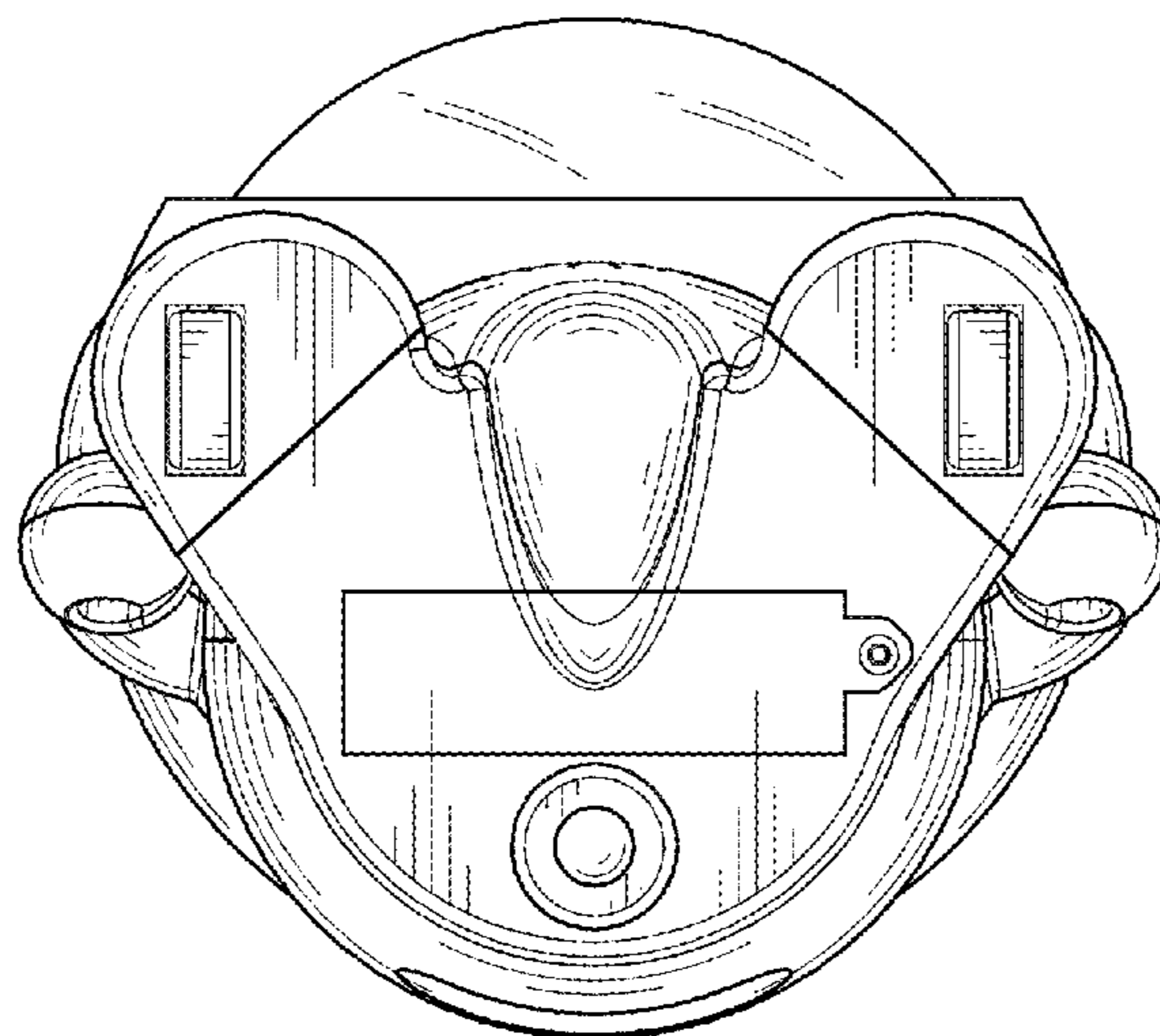


FIG. 7

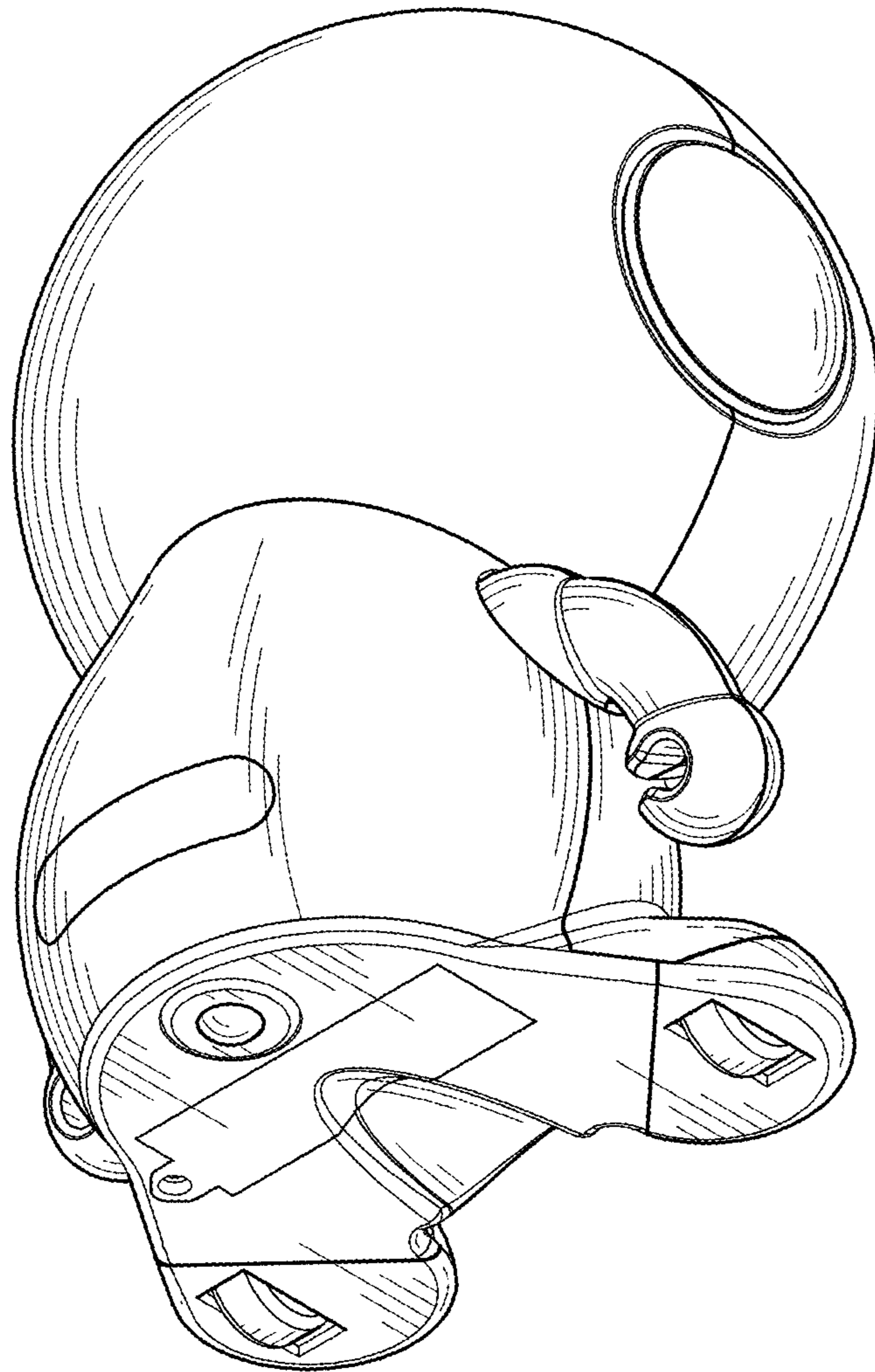


FIG. 8