



US00D822738S

(12) **United States Design Patent**
Kato et al.

(10) **Patent No.:** **US D822,738 S**

(45) **Date of Patent:** **** Jul. 10, 2018**

(54) **DELIVERY ROBOT**

(71) Applicant: **Mitsubishi Electric Corporation,**
Tokyo (JP)

(72) Inventors: **Shinichi Kato,** Tokyo (JP); **Hideto Iwamoto,** Tokyo (JP); **Naoya Tsukamoto,** Tokyo (JP); **Ian Emerson Random,** Tokyo (JP); **Hongkue Lee,** Tokyo (JP)

(73) Assignee: **Mitsubishi Electric Corporation,**
Tokyo (JP)

(**) Term: **15 Years**

(21) Appl. No.: **29/605,682**

(22) Filed: **May 30, 2017**

(30) **Foreign Application Priority Data**

Nov. 30, 2016 (JP) 2016-025971

(51) **LOC (11) Cl.** **15-99**

(52) **U.S. Cl.**
USPC **D15/199**

(58) **Field of Classification Search**
USPC D15/199; D21/578-583, 621, 622
CPC B25J 5/007; B25J 11/008; G05D 1/0214;
Y10S 901/01

See application file for complete search history.

(56) **References Cited**

U.S. PATENT DOCUMENTS

D273,892 S * 5/1984 Fenne D24/158
D293,324 S * 12/1987 Gotou D15/122
D298,834 S * 12/1988 Jones D15/122
D307,028 S * 4/1990 Booker D15/199
D315,207 S * 3/1991 Korvenmaa D24/158
5,131,706 A * 7/1992 Appleberry B23Q 3/1554
294/119.1

D452,517 S * 12/2001 Kawaguchi D15/199
6,786,896 B1 * 9/2004 Madhani A61B 19/2203
128/898
D503,943 S * 4/2005 Kawaguchi D15/199
D572,739 S * 7/2008 Jennings D15/199
D627,376 S * 11/2010 Mizutani D15/143
D645,488 S * 9/2011 Miyake D15/199
D675,656 S * 2/2013 Sutherland D15/199
D711,061 S * 8/2014 Chen D34/29
D712,448 S * 9/2014 Kasahara D15/199
D713,036 S * 9/2014 Sul D24/158
D714,941 S * 10/2014 Kim D24/158
D718,160 S * 11/2014 Shimano D10/65
D724,738 S * 3/2015 Dorris D24/158
D735,863 S * 8/2015 Doerre D24/158
D767,139 S * 9/2016 Liu D24/158
D767,765 S * 9/2016 Lin D24/158
D778,276 S * 2/2017 Berini D14/307
D800,199 S * 10/2017 Yang D15/199

(Continued)

Primary Examiner — Patricia A Palasik

(74) *Attorney, Agent, or Firm* — Studebaker & Brackett
PC

(57) **CLAIM**

The ornamental design for a delivery robot, as shown and described.

DESCRIPTION

FIG. 1 is a front side perspective view of a delivery robot showing our new design;

FIG. 2 is a rear side perspective view thereof;

FIG. 3 is a front view thereof;

FIG. 4 is a rear view thereof;

FIG. 5 is a top view thereof;

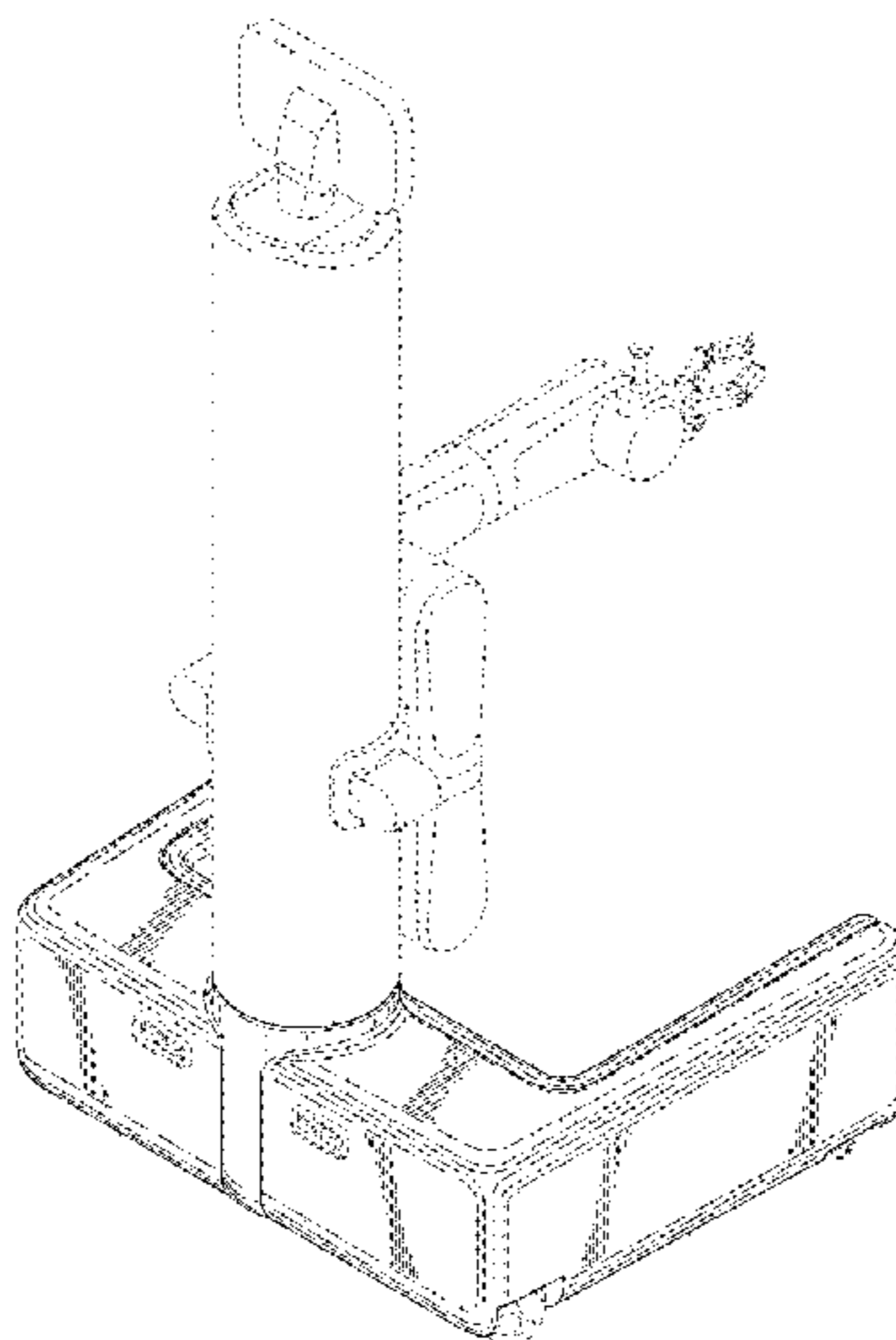
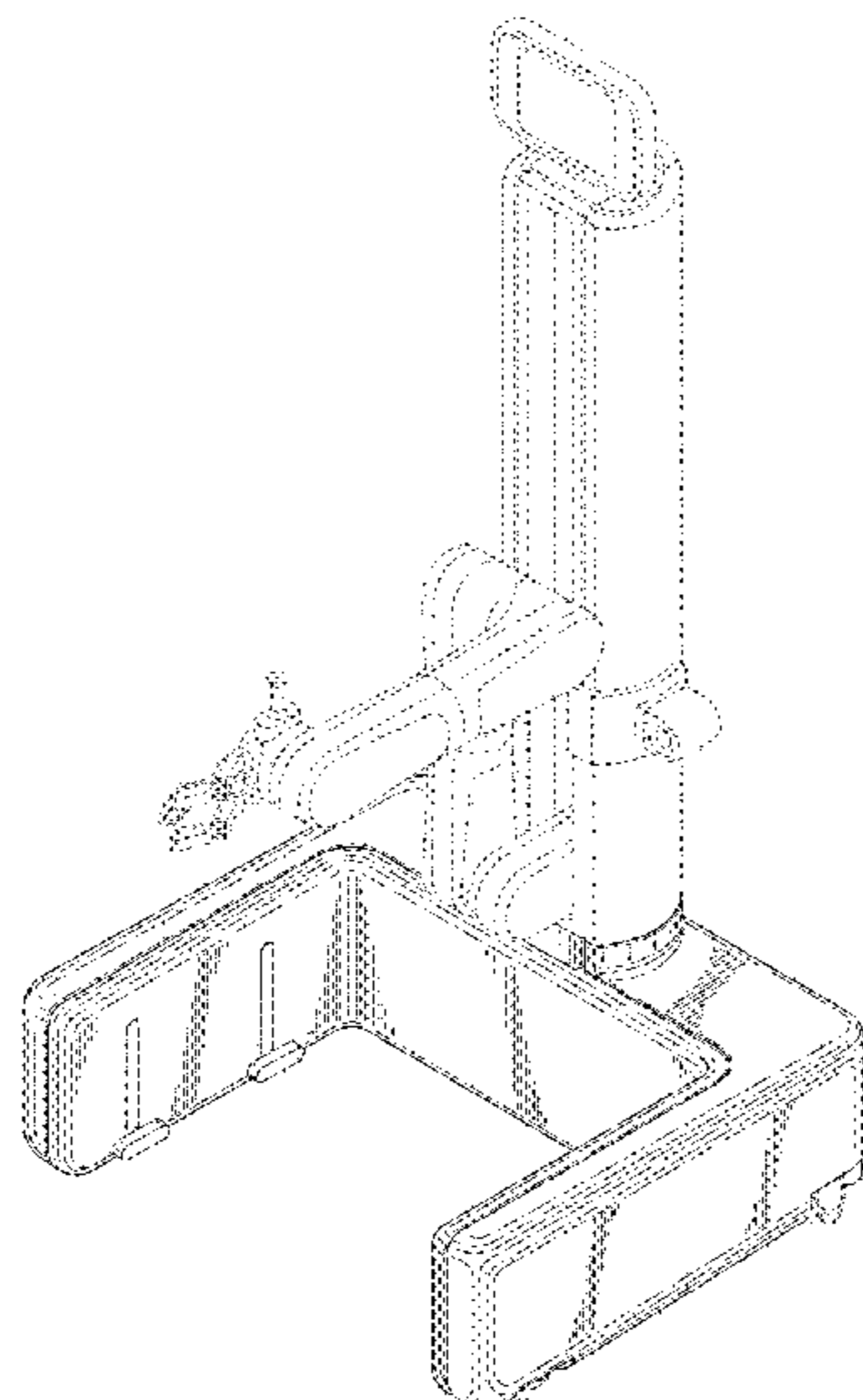
FIG. 6 is a bottom view thereof;

FIG. 7 is a right side view thereof; and,

FIG. 8 is a left side view thereof.

The broken lines shown represent unclaimed environmental subject matter of the delivery robot and form no part of the claimed design.

1 Claim, 8 Drawing Sheets



(56)

References Cited

U.S. PATENT DOCUMENTS

D802,040 S * 11/2017 Canoso D15/199
D810,801 S * 2/2018 Hsu D15/199
2011/0147103 A1* 6/2011 Alfayad B25J 17/0283
180/8.5
2012/0061155 A1* 3/2012 Berger B25J 5/007
180/21
2014/0097306 A1* 4/2014 Hale F16M 13/022
248/122.1
2014/0210224 A1* 7/2014 Hashimoto H01L 21/67742
294/213
2016/0059408 A1* 3/2016 Isobe B25J 5/007
700/253
2016/0107317 A1* 4/2016 Hashimoto B25J 9/042
414/744.2
2017/0225336 A1* 8/2017 Deyle G08B 13/196
2018/0042682 A1* 2/2018 Iceman A61B 34/20
2018/0043542 A1* 2/2018 Mascorro Medina . B25J 11/008

* cited by examiner

FIG. 1

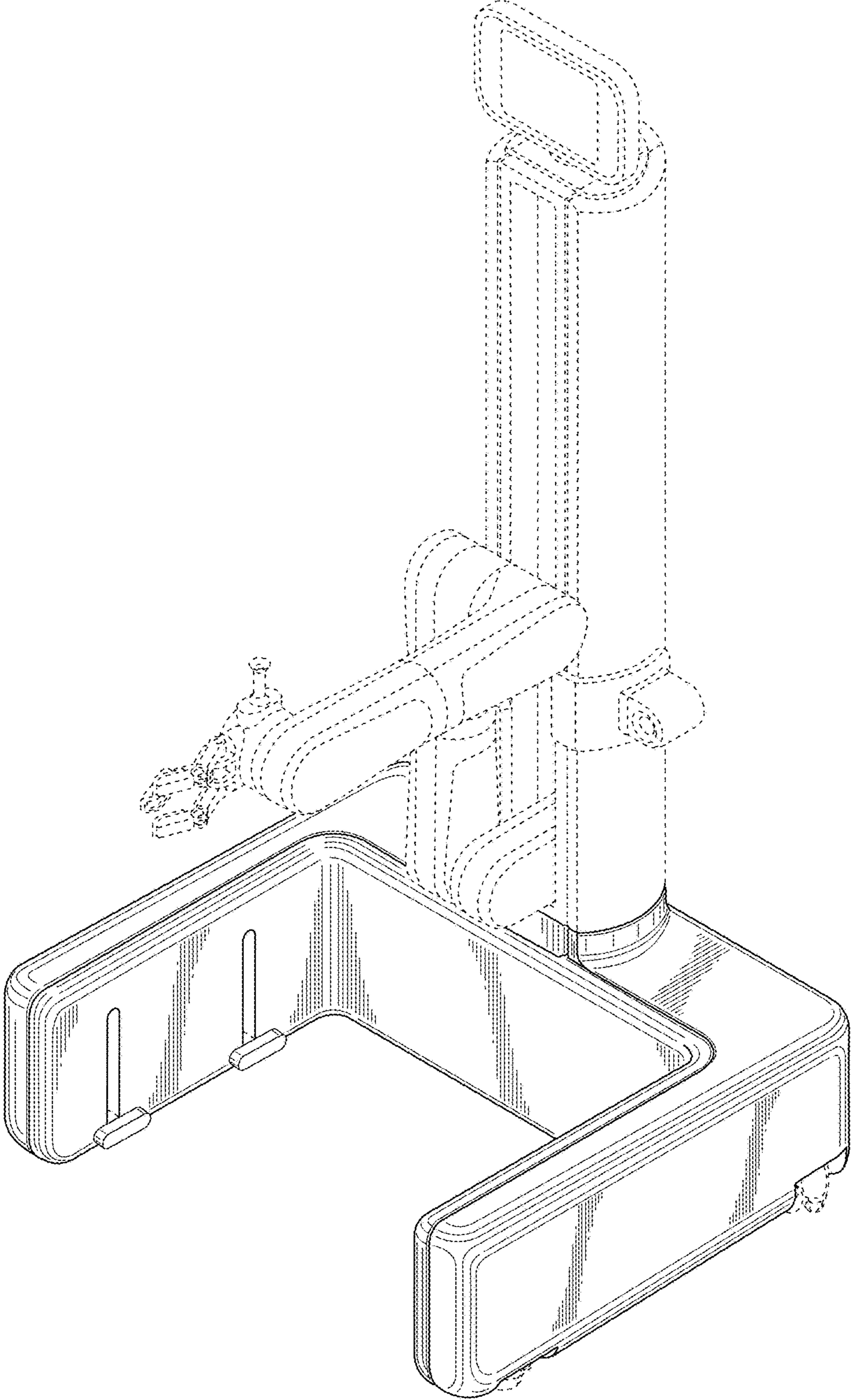


FIG. 2

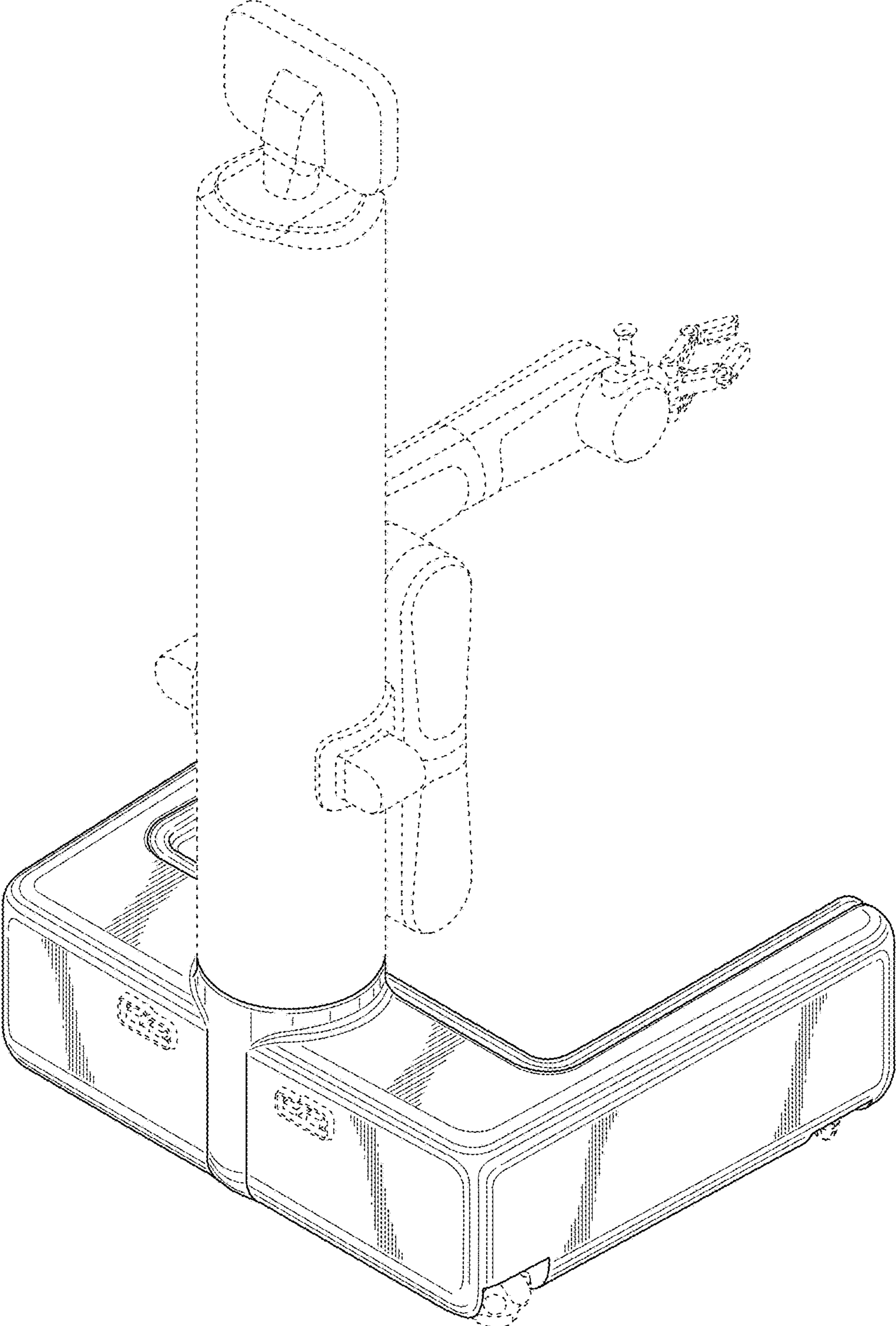


FIG. 3

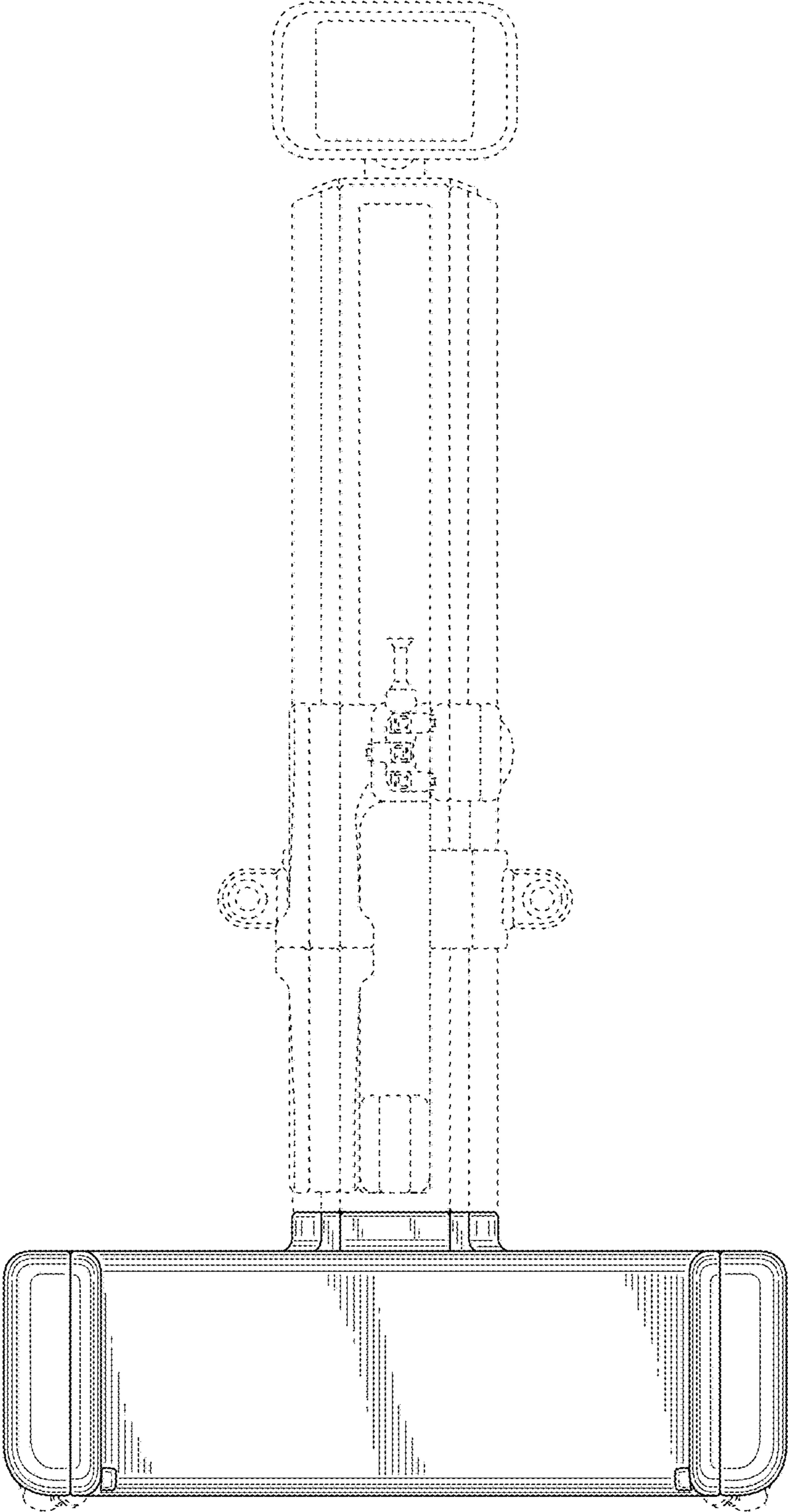


FIG. 4

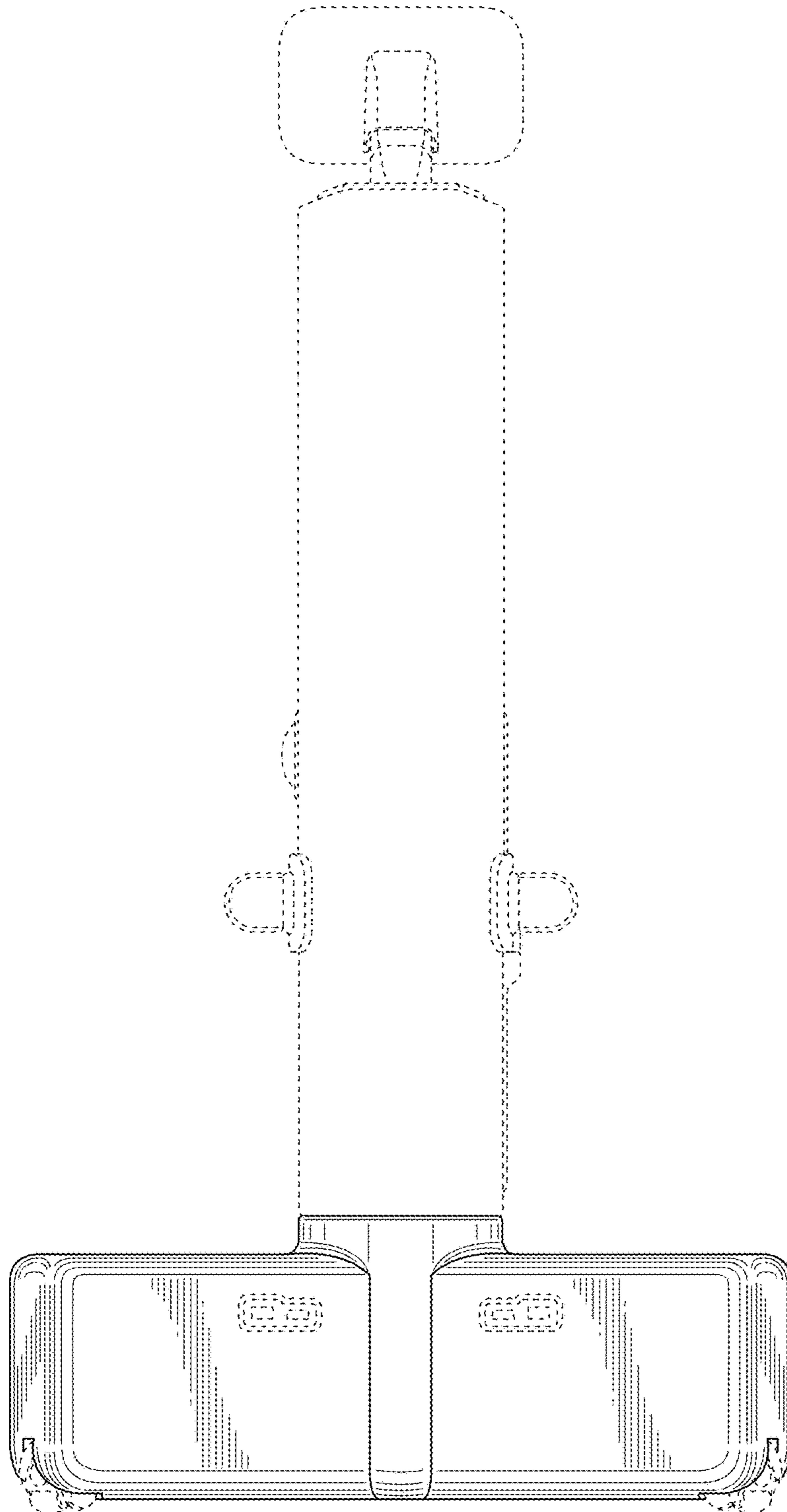


FIG. 5

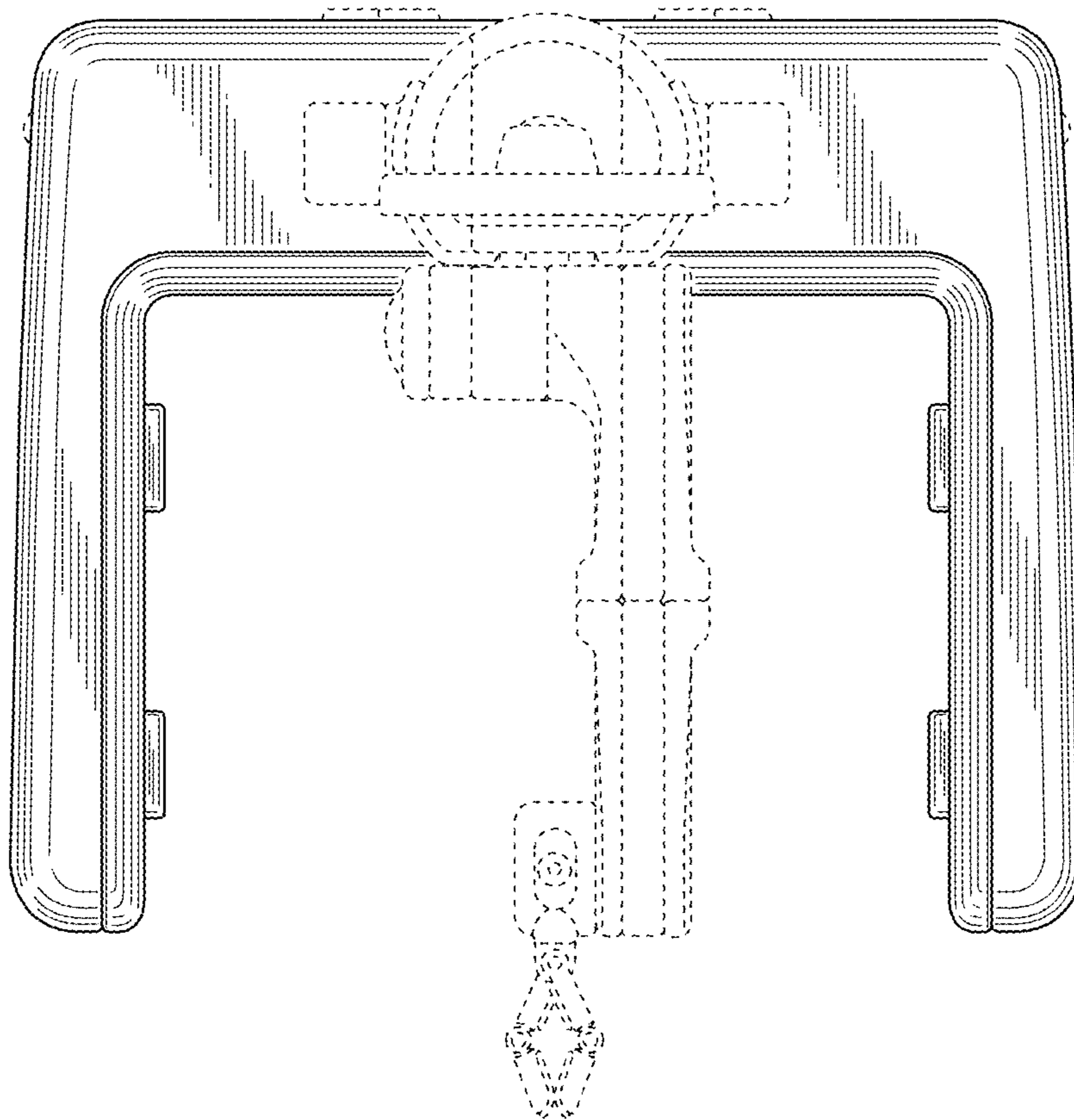


FIG. 6

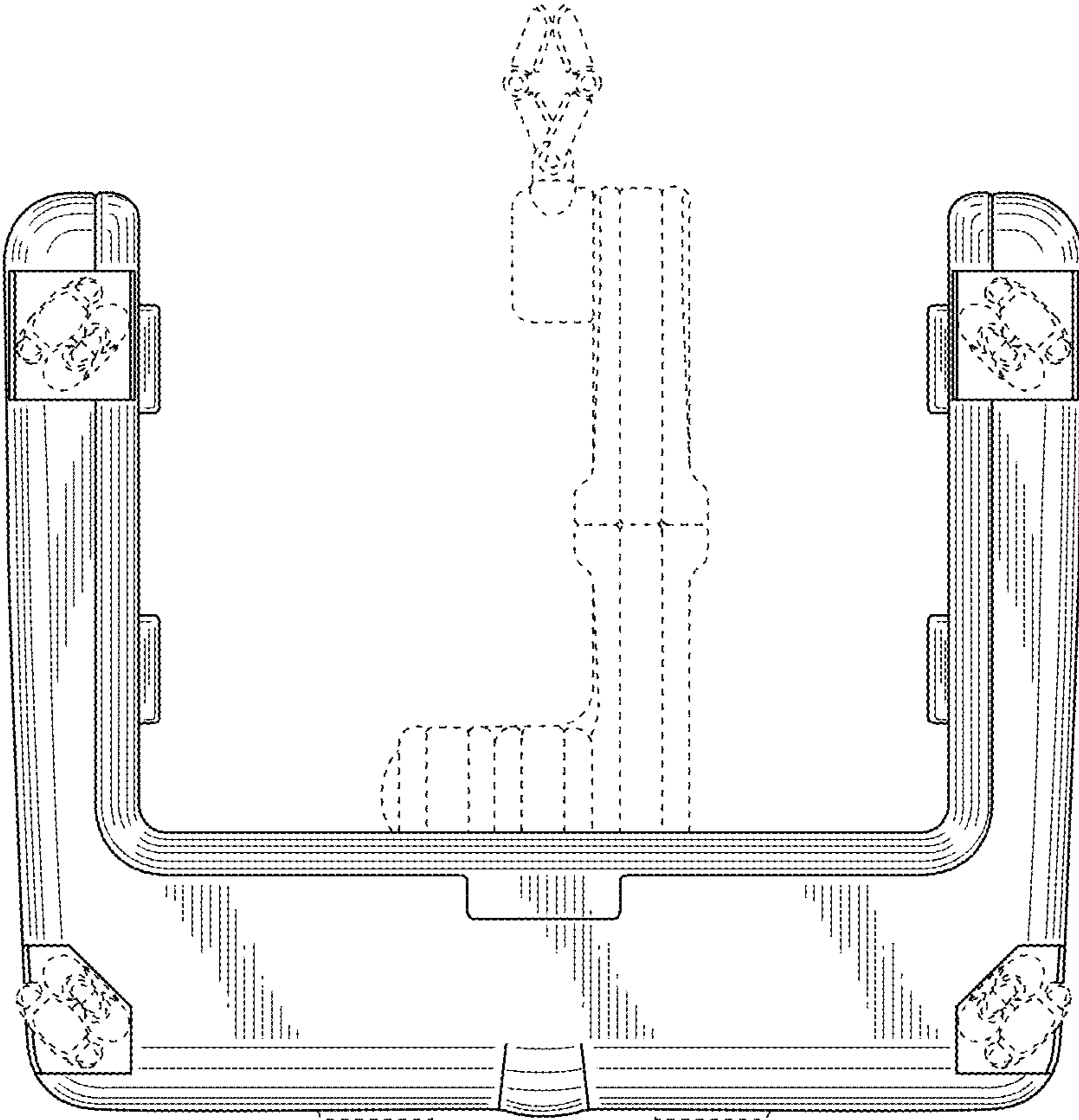


FIG. 7

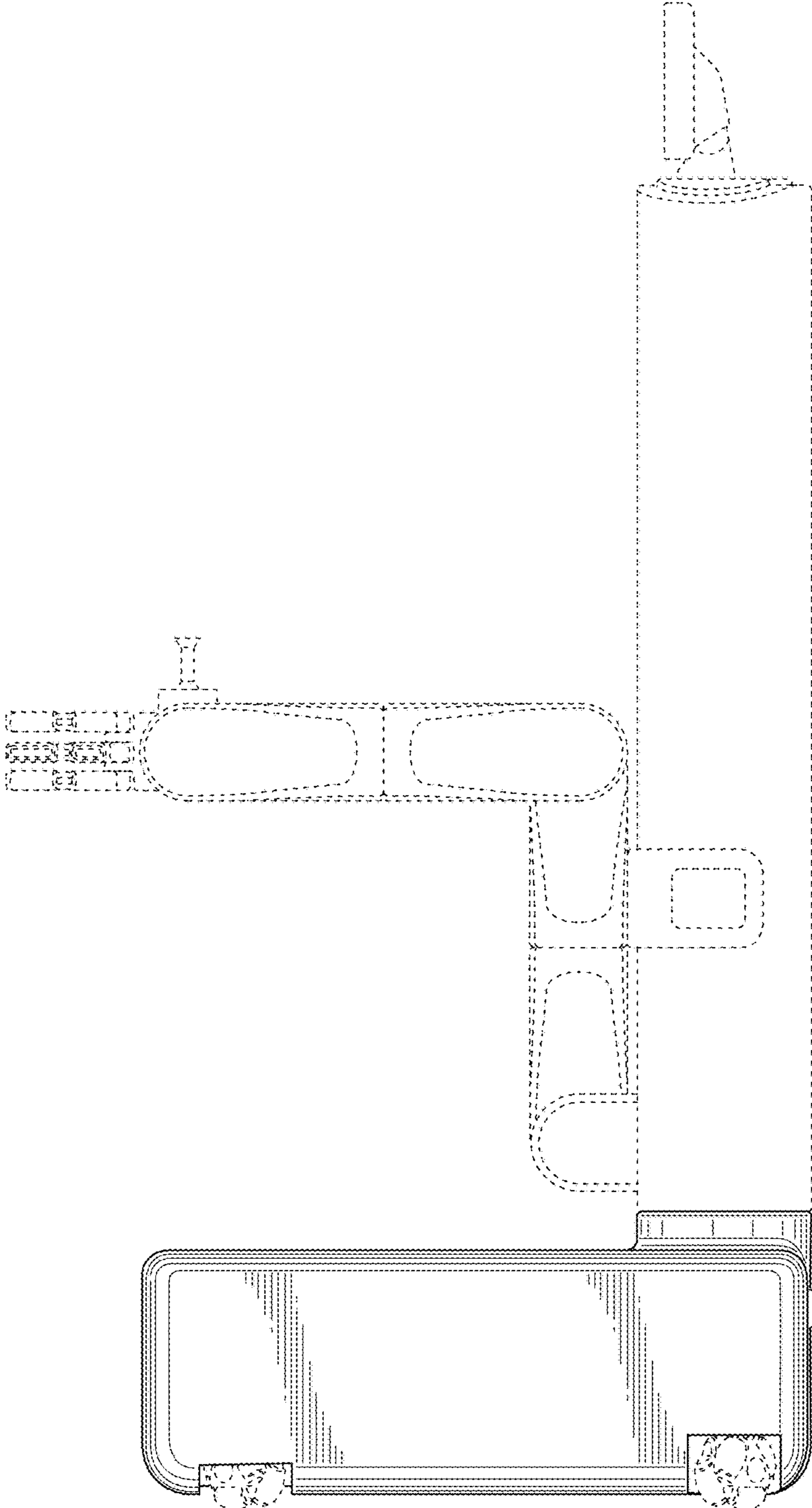


FIG. 8

