



US00D822737S

(12) **United States Design Patent**
Kato et al.

(10) **Patent No.:** **US D822,737 S**

(45) **Date of Patent:** **** Jul. 10, 2018**

(54) **DELIVERY ROBOT**

(71) Applicant: **Mitsubishi Electric Corporation,**
Tokyo (JP)

(72) Inventors: **Shinichi Kato,** Tokyo (JP); **Hideto Iwamoto,** Tokyo (JP); **Naoya Tsukamoto,** Tokyo (JP); **Ian Emerson Random,** Tokyo (JP); **Hongkue Lee,** Tokyo (JP)

(73) Assignee: **Mitsubishi Electric Corporation,**
Tokyo (JP)

(**) Term: **15 Years**

(21) Appl. No.: **29/605,680**

(22) Filed: **May 30, 2017**

(30) **Foreign Application Priority Data**

Nov. 30, 2016 (JP) 2016-025970

(51) **LOC (11) Cl.** **15-99**

(52) **U.S. Cl.**
USPC **D15/199**

(58) **Field of Classification Search**
USPC D15/199; D21/578-583, 621, 622
CPC B25J 5/007; B25J 11/008; G05D 1/0214;
Y10S 901/01
See application file for complete search history.

(56) **References Cited**

U.S. PATENT DOCUMENTS

D273,892 S * 5/1984 Fenne D24/158
D293,324 S * 12/1987 Gotou D15/122
D298,834 S * 12/1988 Jones D15/122
D307,028 S * 4/1990 Booker D15/199
D315,207 S * 3/1991 Korvenmaa D24/158
5,131,706 A * 7/1992 Appleberry B23Q 3/1554
294/119.1

D452,517 S * 12/2001 Kawaguchi D15/199
6,786,896 B1 * 9/2004 Madhani A61B 19/2203
128/898
D503,943 S * 4/2005 Kawaguchi D15/199
D572,739 S * 7/2008 Jennings D15/199
D627,376 S * 11/2010 Mizutani D15/143
D645,488 S * 9/2011 Miyake D15/199
D675,656 S * 2/2013 Sutherland D15/199
D711,061 S * 8/2014 Chen D34/29
D712,448 S * 9/2014 Kasahara D15/199
D713,036 S * 9/2014 Sul D24/158
D714,941 S * 10/2014 Kim D24/158
D718,160 S * 11/2014 Shimano D10/65
D724,738 S * 3/2015 Dorris D24/158
D735,863 S * 8/2015 Doerre D24/158
D767,139 S * 9/2016 Liu D24/158
D767,765 S * 9/2016 Lin D24/158

(Continued)

Primary Examiner — Patricia A Palasik

(74) *Attorney, Agent, or Firm* — Stuebaker & Brackett
PC

(57) **CLAIM**

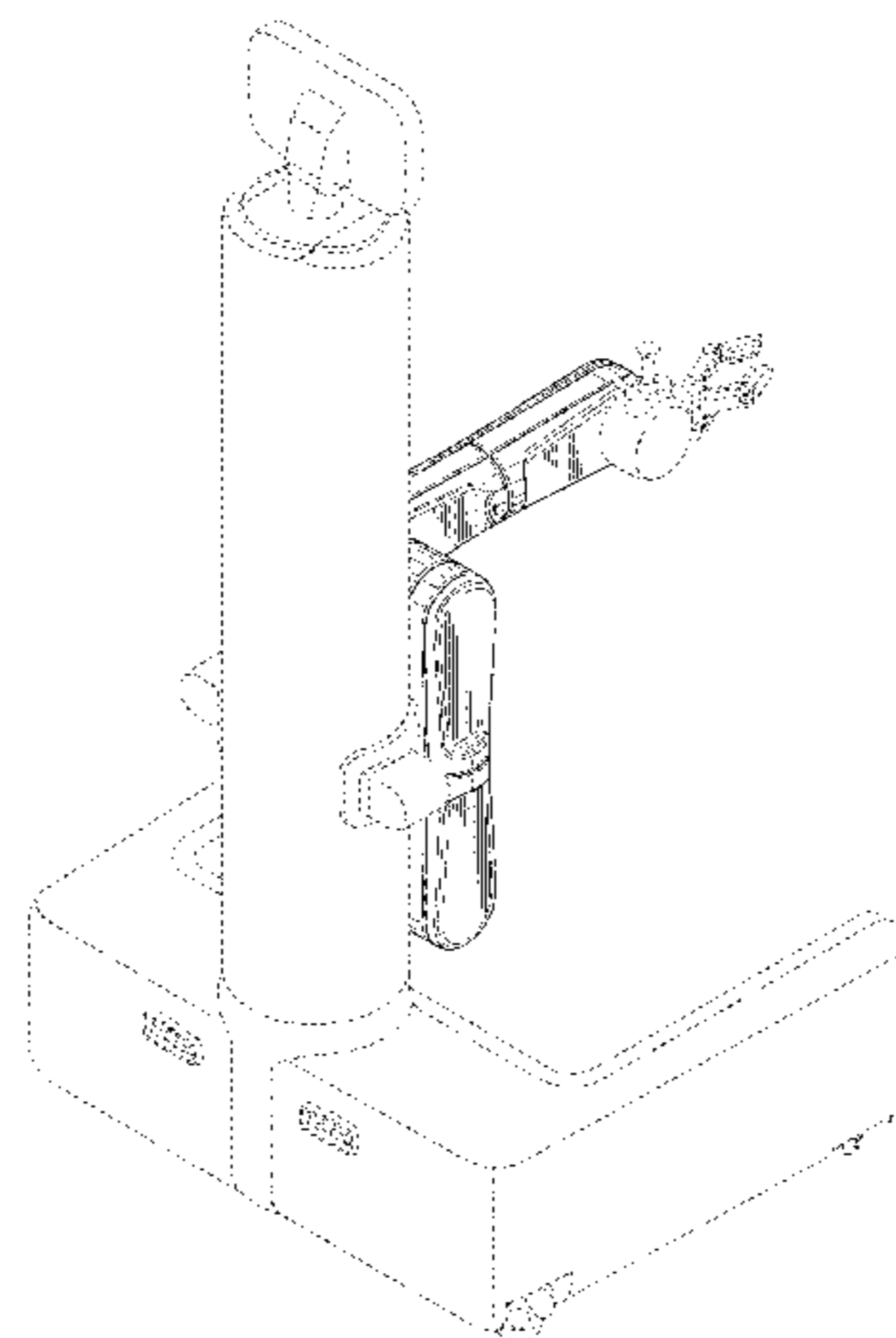
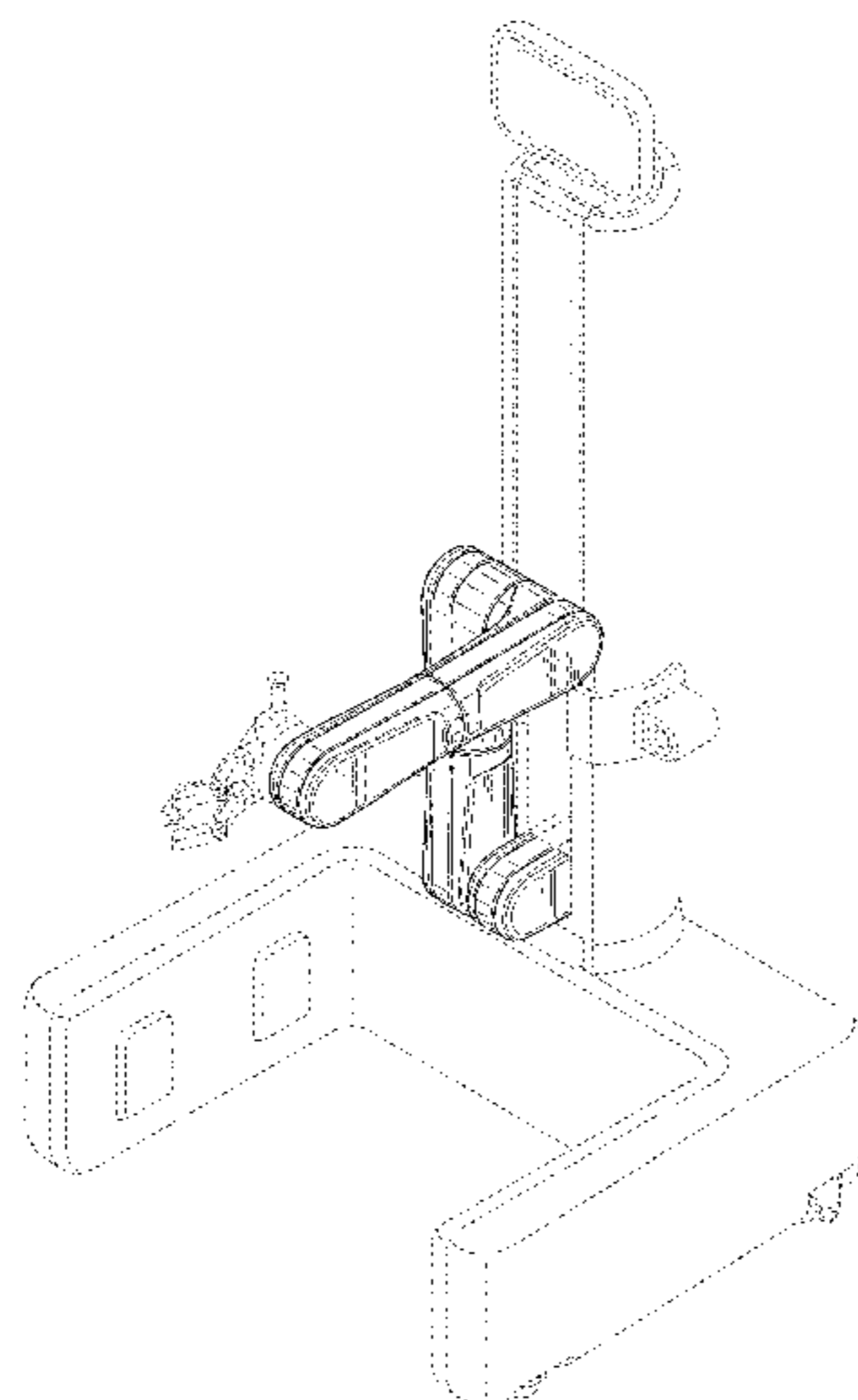
The ornamental design for a delivery robot, as shown and described.

DESCRIPTION

FIG. 1 is a front side perspective view of a delivery robot showing our new design;
FIG. 2 is a rear side perspective view thereof;
FIG. 3 is a front view thereof;
FIG. 4 is a rear view thereof;
FIG. 5 is a top view thereof;
FIG. 6 is a bottom view thereof;
FIG. 7 is a right side view thereof; and,
FIG. 8 is a left side view thereof.

The broken lines shown represent unclaimed environmental subject matter of the delivery robot and form no part of the claimed design. The dot and dashed lines depict a boundary between the claimed portion and the non-claimed portion and form no part thereof.

1 Claim, 8 Drawing Sheets



(56)

References Cited

U.S. PATENT DOCUMENTS

D778,276	S *	2/2017	Berini	D14/307
D800,199	S *	10/2017	Yang	D15/199
D802,040	S *	11/2017	Canoso	D15/199
D810,801	S *	2/2018	Hsu	D15/199
2011/0147103	A1 *	6/2011	Alfayad	B25J 17/0283 180/8.5
2012/0061155	A1 *	3/2012	Berger	B25J 5/007 180/21
2014/0097306	A1 *	4/2014	Hale	F16M 13/022 248/122.1
2014/0210224	A1 *	7/2014	Hashimoto	H01L 21/67742 294/213
2016/0059408	A1 *	3/2016	Isobe	B25J 5/007 700/253
2016/0107317	A1 *	4/2016	Hashimoto	B25J 9/042 414/744.2
2017/0225336	A1 *	8/2017	Deyle	G08B 13/196
2018/0042682	A1 *	2/2018	Iceman	A61B 34/20
2018/0043542	A1 *	2/2018	Mascorro Medina	.	B25J 11/008

* cited by examiner

FIG. 1

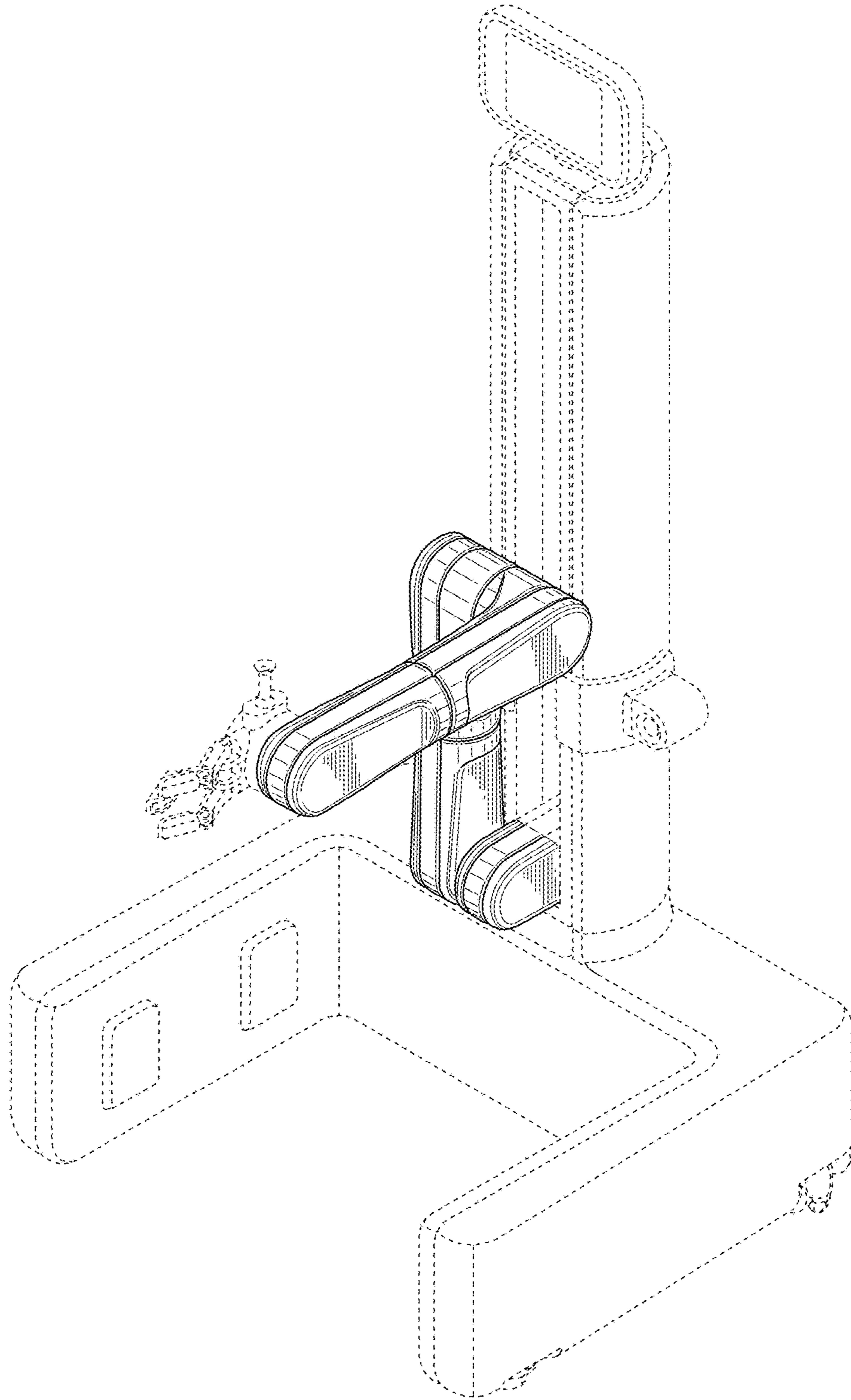


FIG. 2

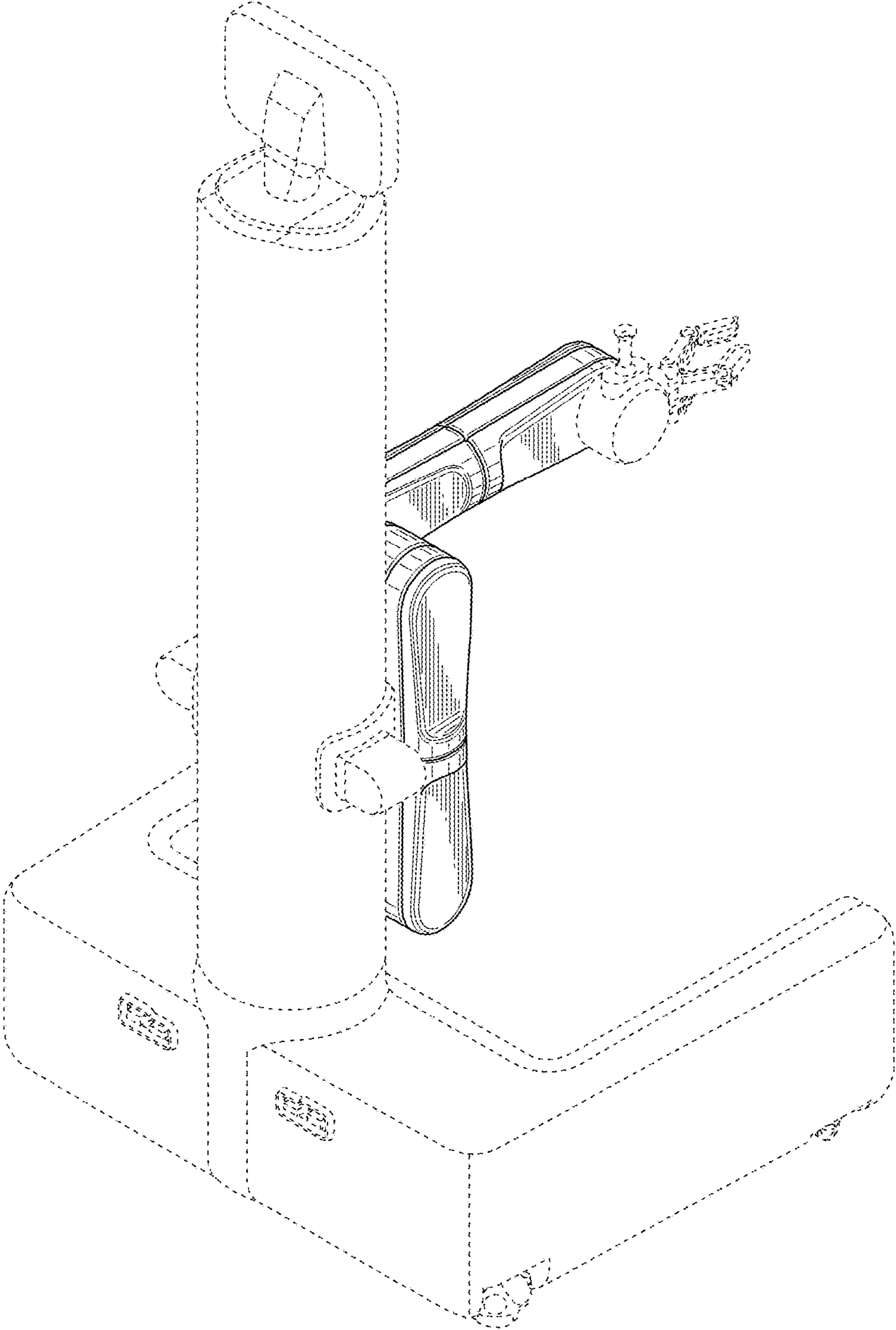


FIG. 3

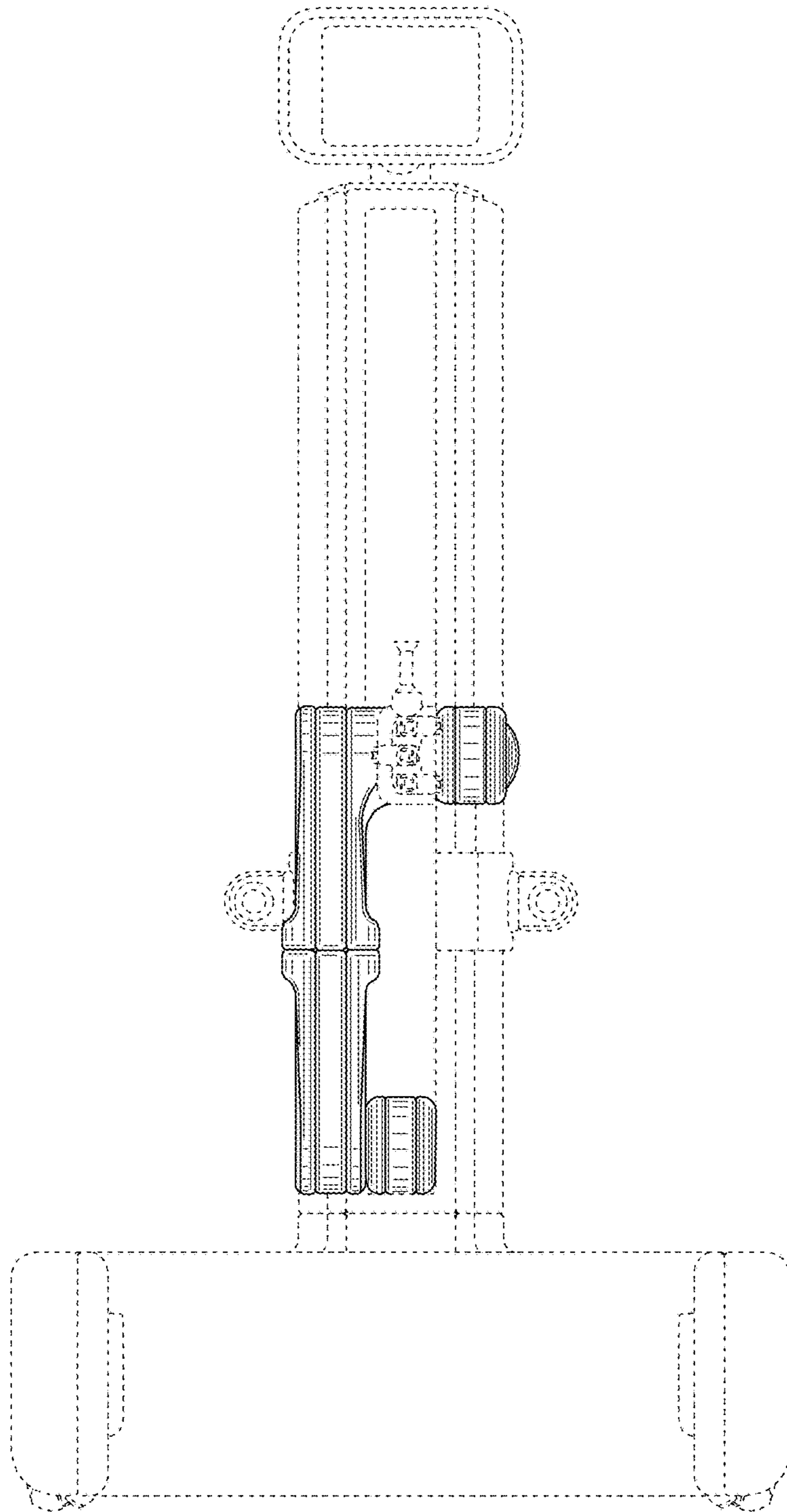


FIG. 4

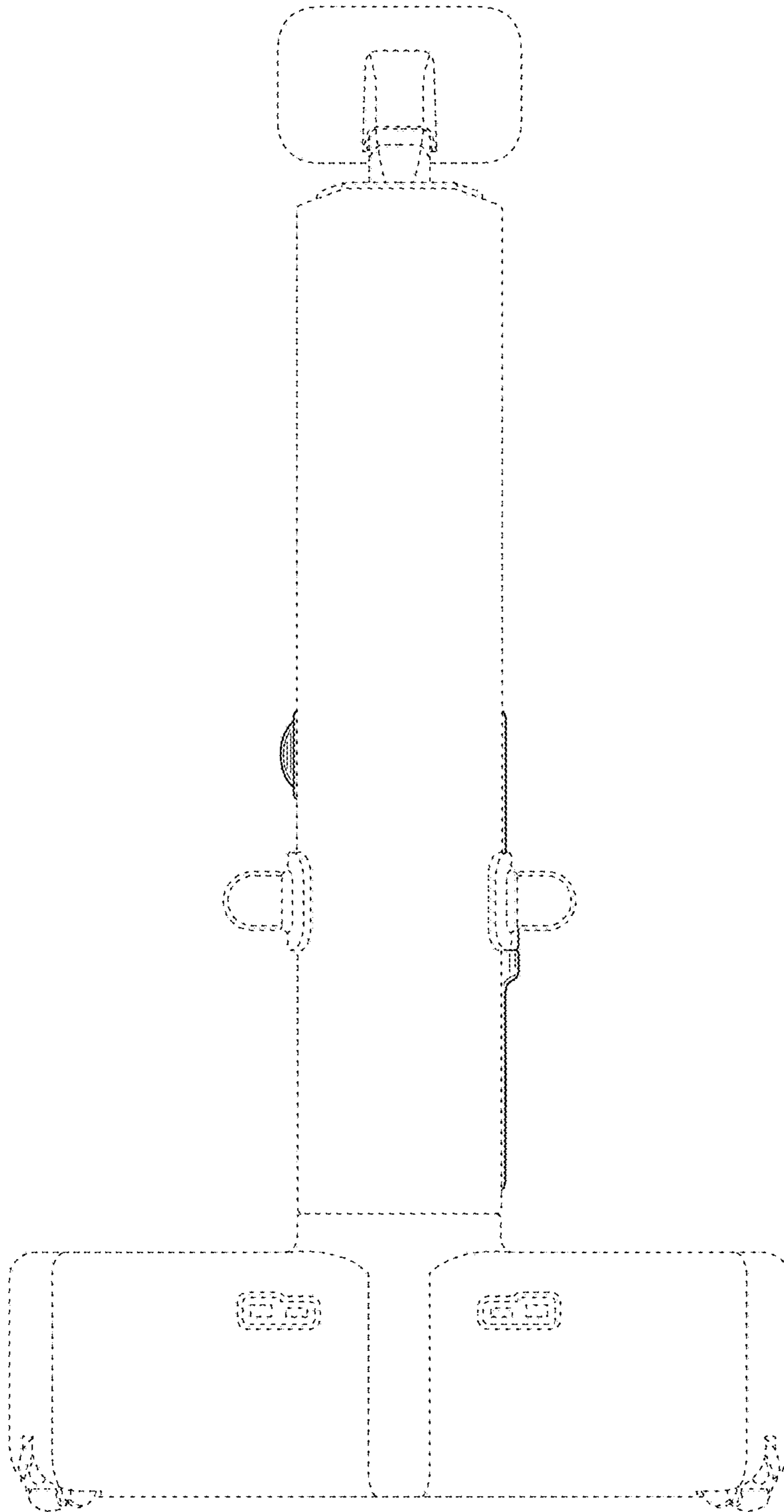


FIG. 5

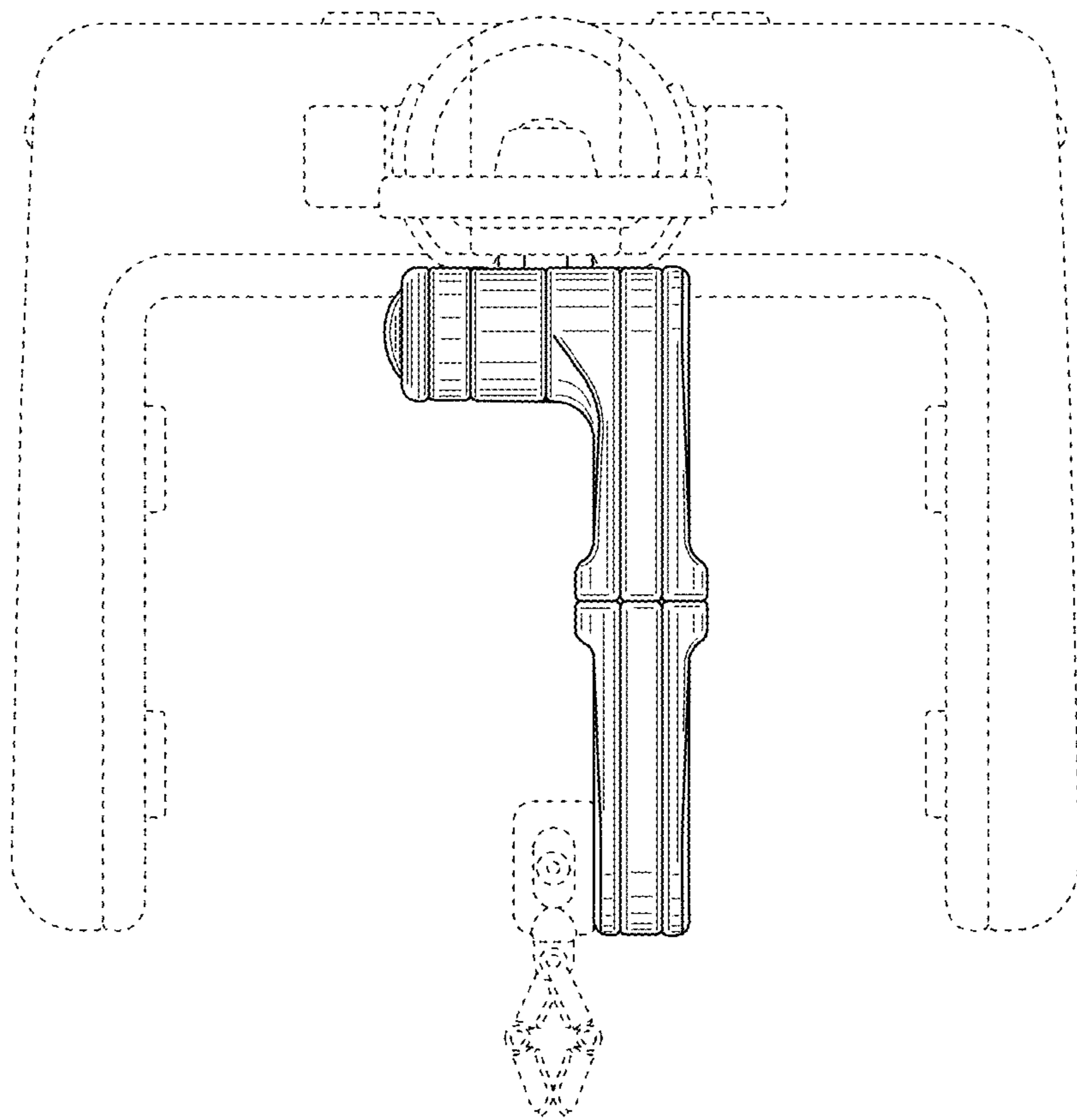


FIG. 6

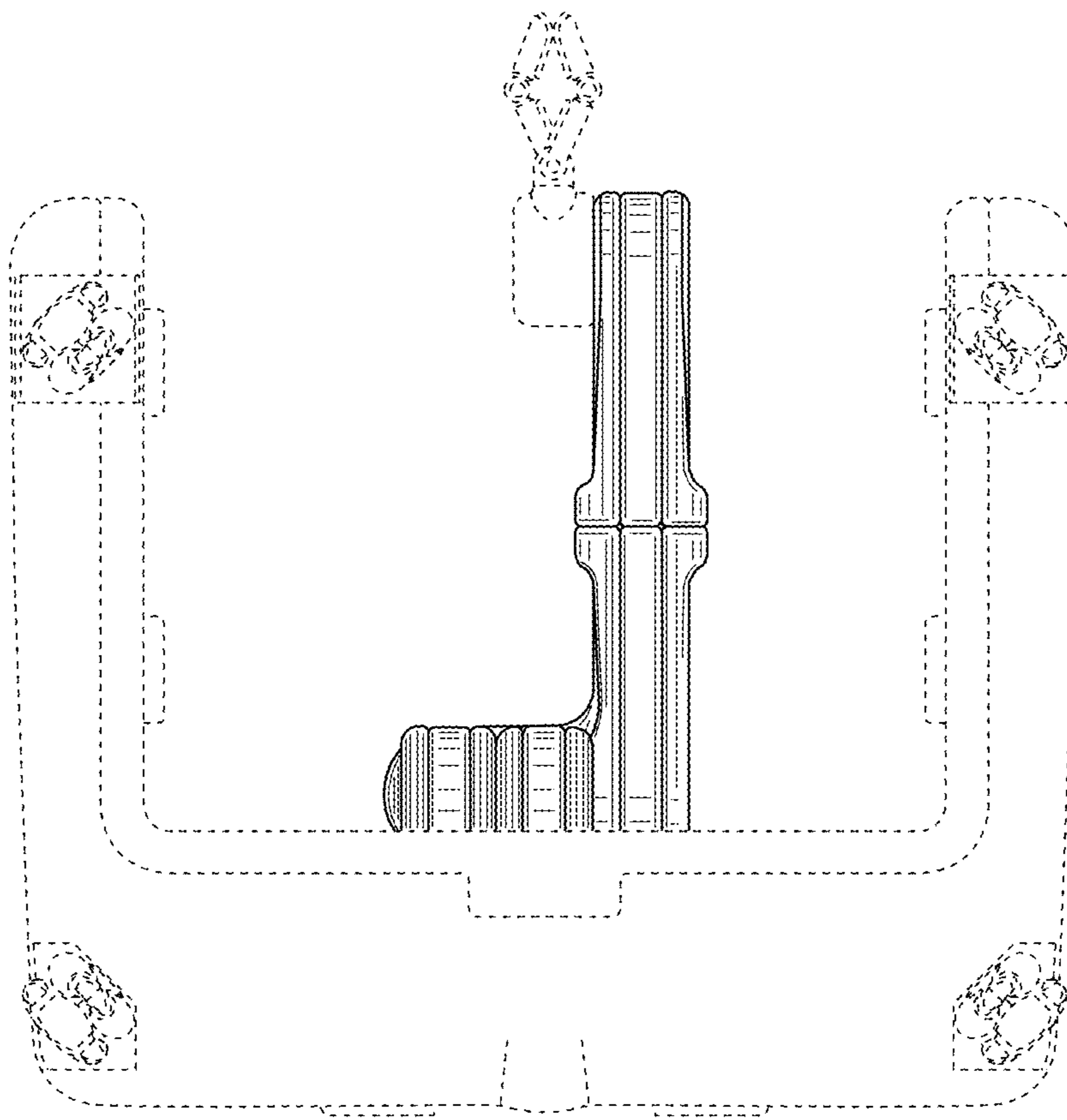


FIG. 7

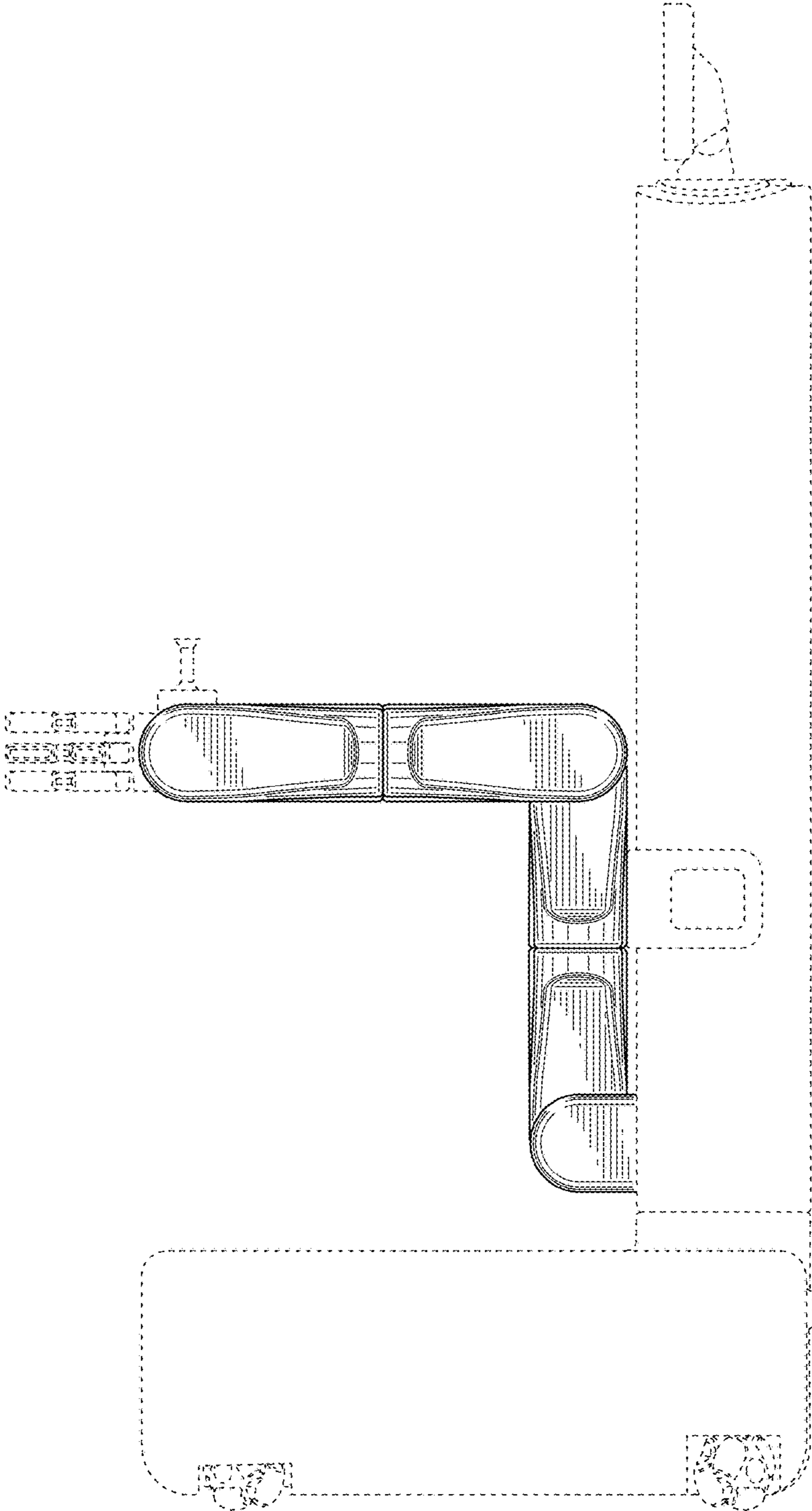


FIG. 8

