



US00D822736S

(12) **United States Design Patent**
Kato et al.

(10) **Patent No.:** **US D822,736 S**
(45) **Date of Patent:** **** Jul. 10, 2018**

(54) **DELIVERY ROBOT**

(71) Applicant: **Mitsubishi Electric Corporation,**
Tokyo (JP)

(72) Inventors: **Shinichi Kato,** Tokyo (JP); **Hideto Iwamoto,** Tokyo (JP); **Naoya Tsukamoto,** Tokyo (JP); **Ian Emerson Random,** Tokyo (JP); **Hongkue Lee,** Tokyo (JP)

(73) Assignee: **Mitsubishi Electric Corporation,**
Tokyo (JP)

(**) Term: **15 Years**

(21) Appl. No.: **29/605,679**

(22) Filed: **May 30, 2017**

(30) **Foreign Application Priority Data**

Nov. 30, 2016 (JP) 2016-025969

(51) **LOC (11) Cl.** **15-99**

(52) **U.S. Cl.**
USPC **D15/199**

(58) **Field of Classification Search**
USPC D15/199; D21/578-583, 621, 622
CPC B25J 5/007; B25J 11/008; G05D 1/0214;
Y10S 901/01
See application file for complete search history.

(56) **References Cited**

U.S. PATENT DOCUMENTS

D273,892 S * 5/1984 Fenne D24/158
D293,324 S * 12/1987 Gotou D15/122
D298,834 S * 12/1988 Jones D15/122
D307,028 S * 4/1990 Booker D15/199
D315,207 S * 3/1991 Korvenmaa D24/158
5,131,706 A * 7/1992 Appleberry B23Q 3/1554
294/119.1

D452,517 S * 12/2001 Kawaguchi D15/199
6,786,896 B1 * 9/2004 Madhani A61B 19/2203
128/898
D503,943 S * 4/2005 Kawaguchi D15/199
D572,739 S * 7/2008 Jennings D15/199
D627,376 S * 11/2010 Mizutani D15/143
D645,488 S * 9/2011 Miyake D15/199
D675,656 S * 2/2013 Sutherland D15/199
D711,061 S * 8/2014 Chen D34/29
D712,448 S * 9/2014 Kasahara D15/199
D713,036 S * 9/2014 Sul D24/158
D714,941 S * 10/2014 Kim D24/158
D718,160 S * 11/2014 Shimano D10/65
D724,738 S * 3/2015 Dorris D24/158
D735,863 S * 8/2015 Doerre D24/158
D767,139 S * 9/2016 Liu D24/158
D767,765 S * 9/2016 Lin D24/158

(Continued)

Primary Examiner — Patricia A Palasik

(74) *Attorney, Agent, or Firm* — Studebaker & Brackett
PC

(57) **CLAIM**

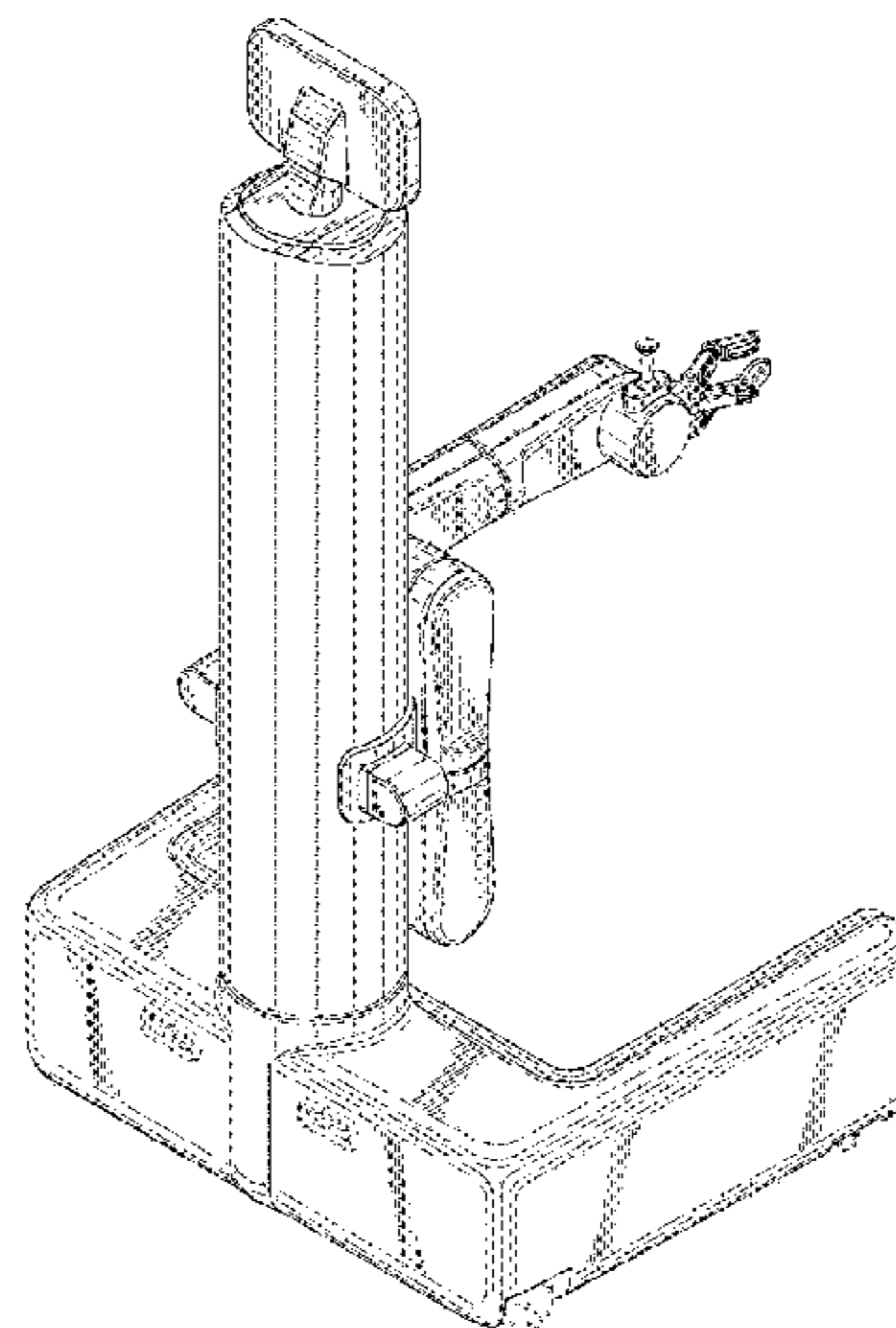
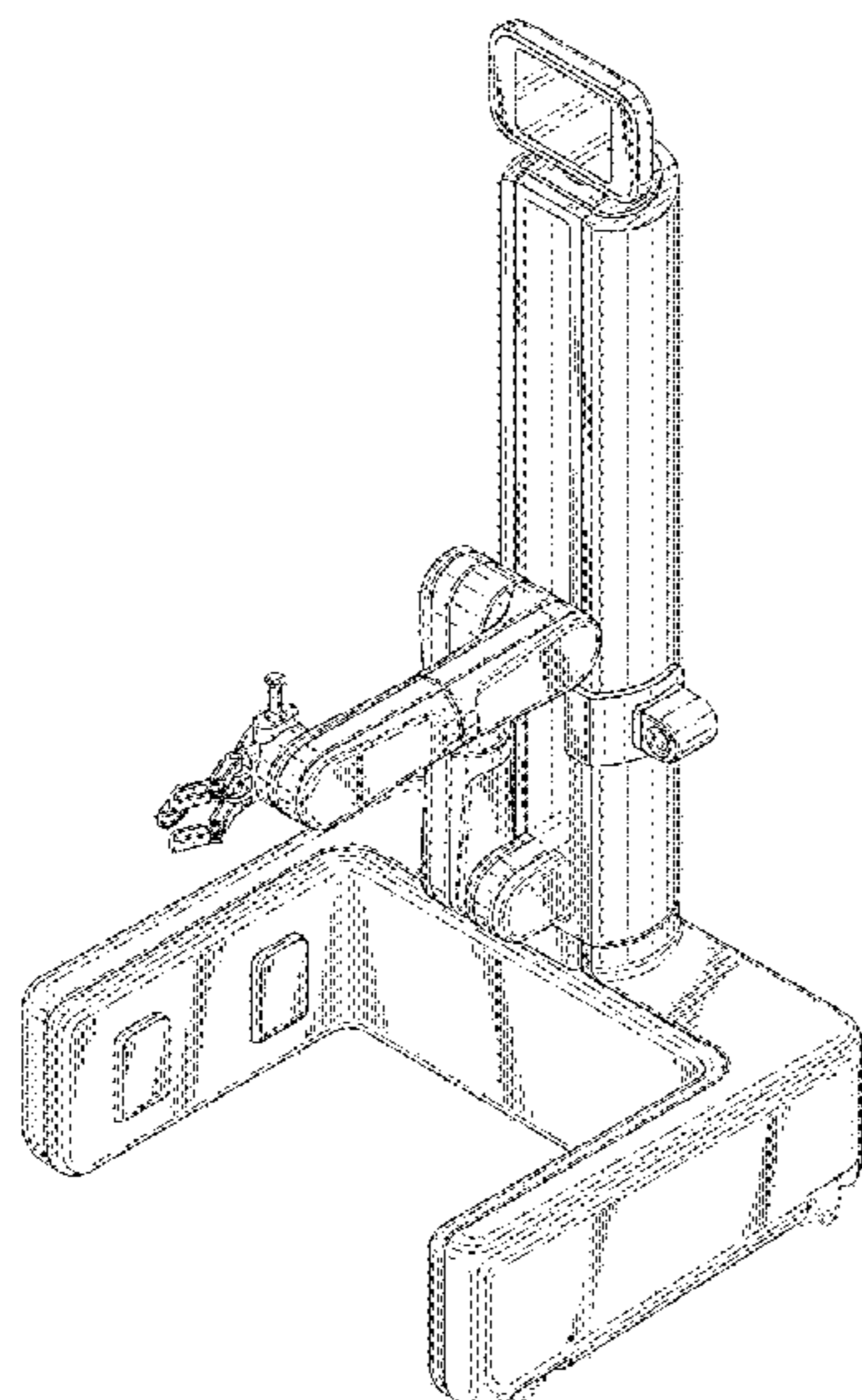
The ornamental design for a delivery robot, as shown and described.

DESCRIPTION

FIG. 1 is a front side perspective view of a delivery robot showing our new design;
FIG. 2 is a rear side perspective view thereof;
FIG. 3 is a front view thereof;
FIG. 4 is a rear view thereof;
FIG. 5 is a top view thereof;
FIG. 6 is a bottom view thereof;
FIG. 7 is a right side view thereof; and,
FIG. 8 is a left side view thereof.

The broken lines shown represent unclaimed environmental subject matter of the delivery robot and form no part of the claimed design. The dot and dashed lines depict a boundary between the claimed portion and the non-claimed portion and form no part thereof.

1 Claim, 8 Drawing Sheets



(56)

References Cited

U.S. PATENT DOCUMENTS

D778,276 S * 2/2017 Berini D14/307
D800,199 S * 10/2017 Yang D15/199
D802,040 S * 11/2017 Canoso D15/199
D810,801 S * 2/2018 Hsu D15/199
2011/0147103 A1* 6/2011 Alfayad B25J 17/0283
180/8.5
2012/0061155 A1* 3/2012 Berger B25J 5/007
180/21
2014/0097306 A1* 4/2014 Hale F16M 13/022
248/122.1
2014/0210224 A1* 7/2014 Hashimoto H01L 21/67742
294/213
2016/0059408 A1* 3/2016 Isobe B25J 5/007
700/253
2016/0107317 A1* 4/2016 Hashimoto B25J 9/042
414/744.2
2017/0225336 A1* 8/2017 Deyle G08B 13/196
2018/0042682 A1* 2/2018 Iceman A61B 34/20
2018/0043542 A1* 2/2018 Mascorro Medina . B25J 11/008

* cited by examiner

FIG. 1

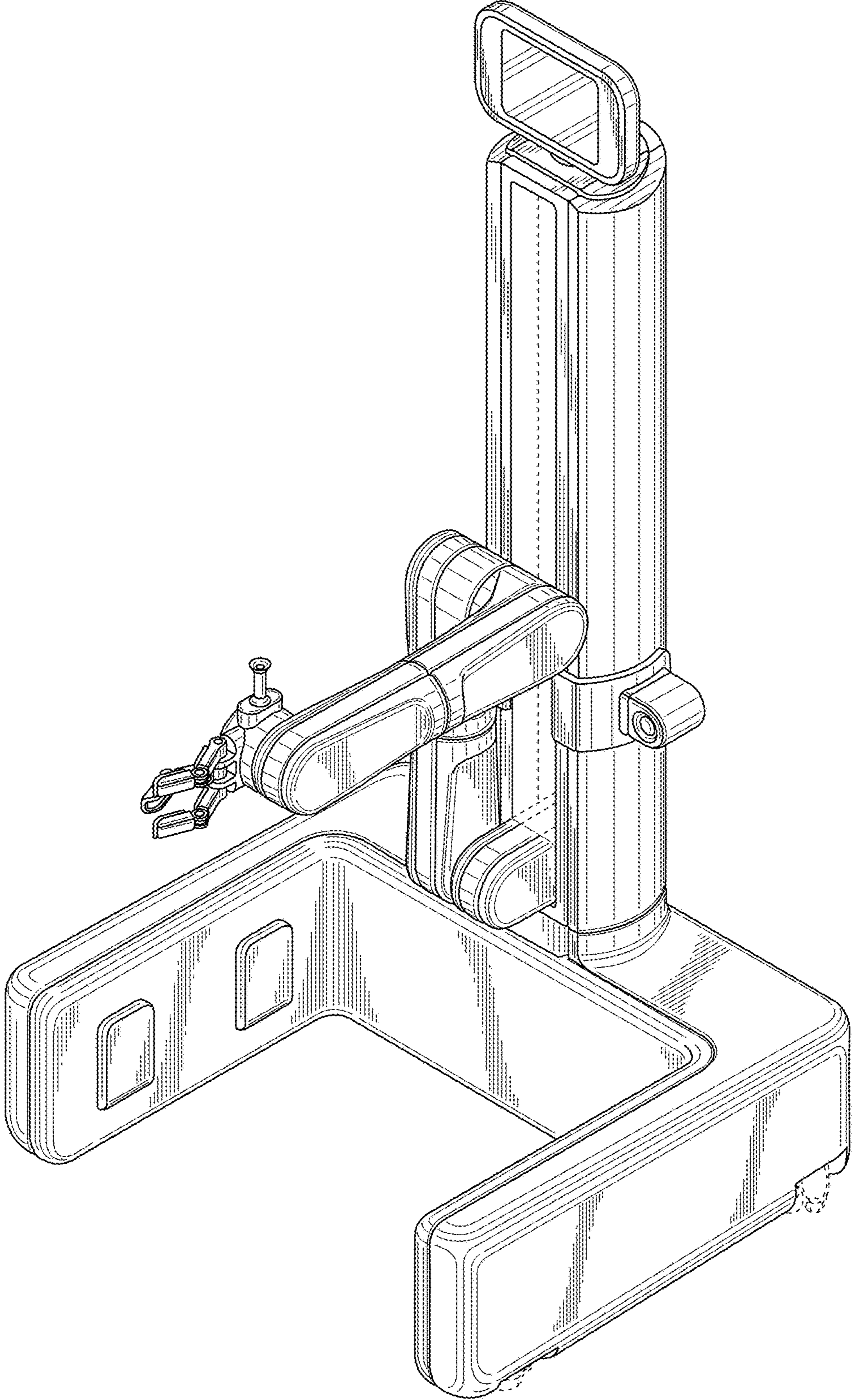


FIG. 2

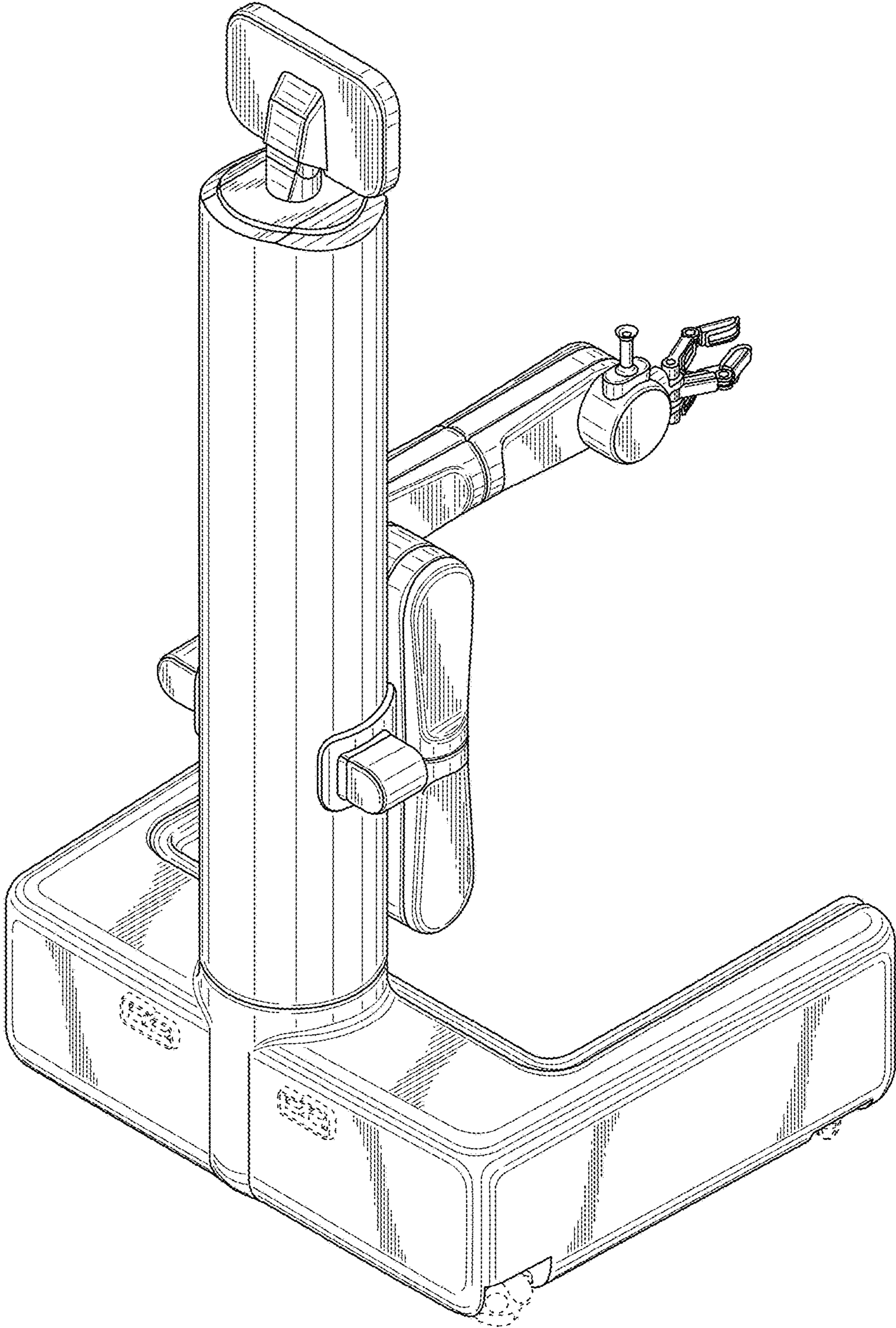


FIG. 3

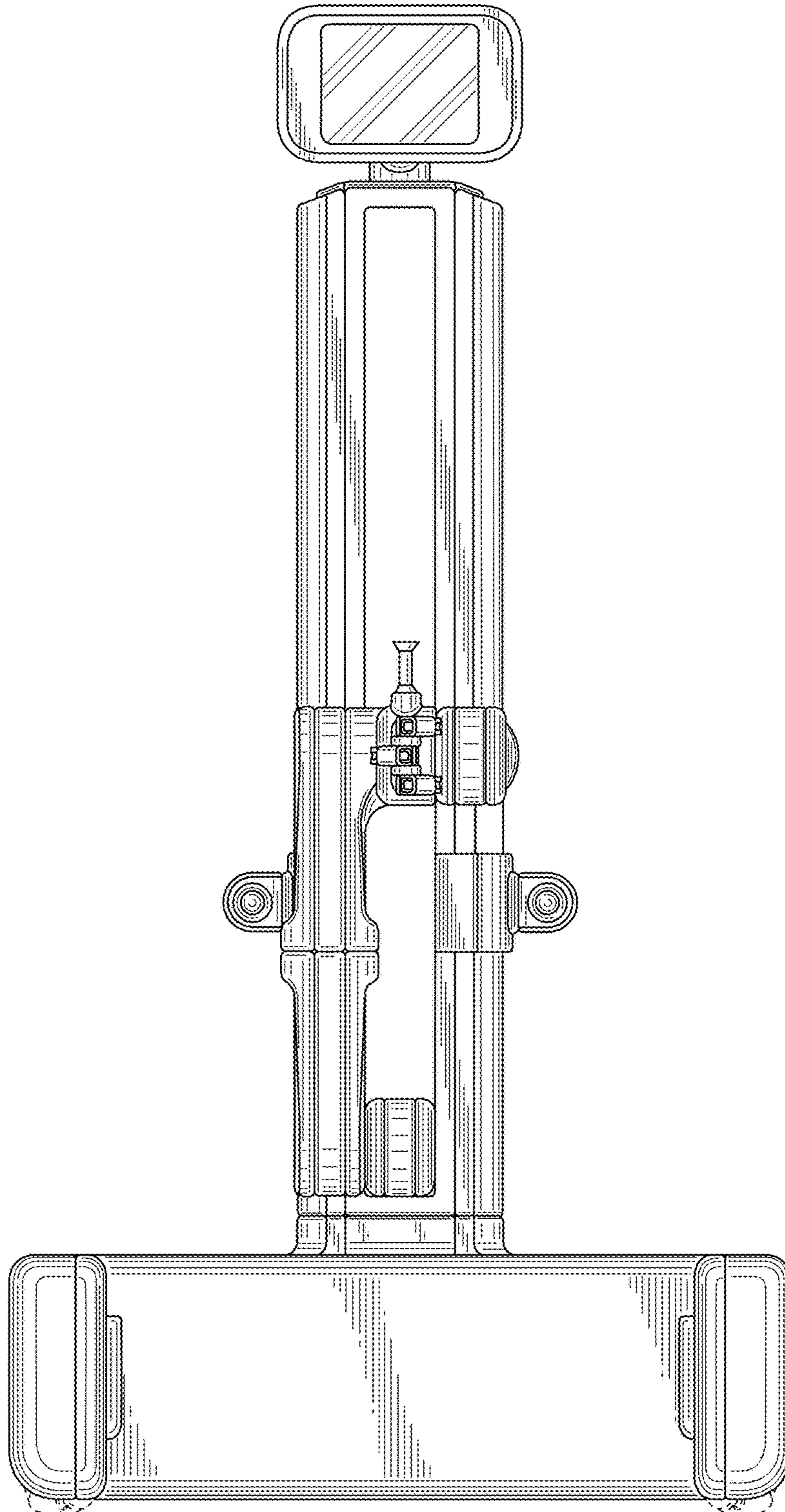


FIG. 4

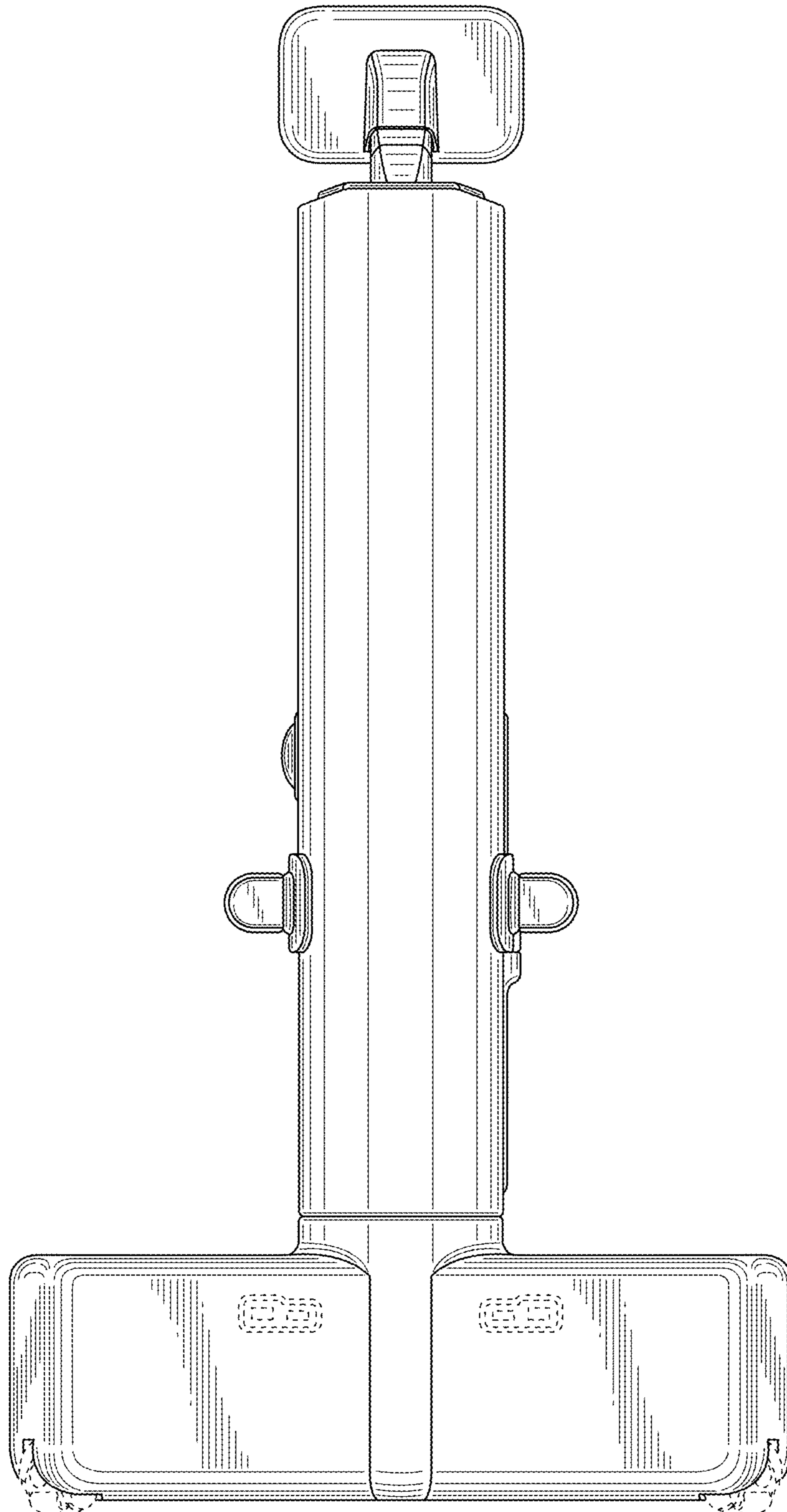


FIG. 5

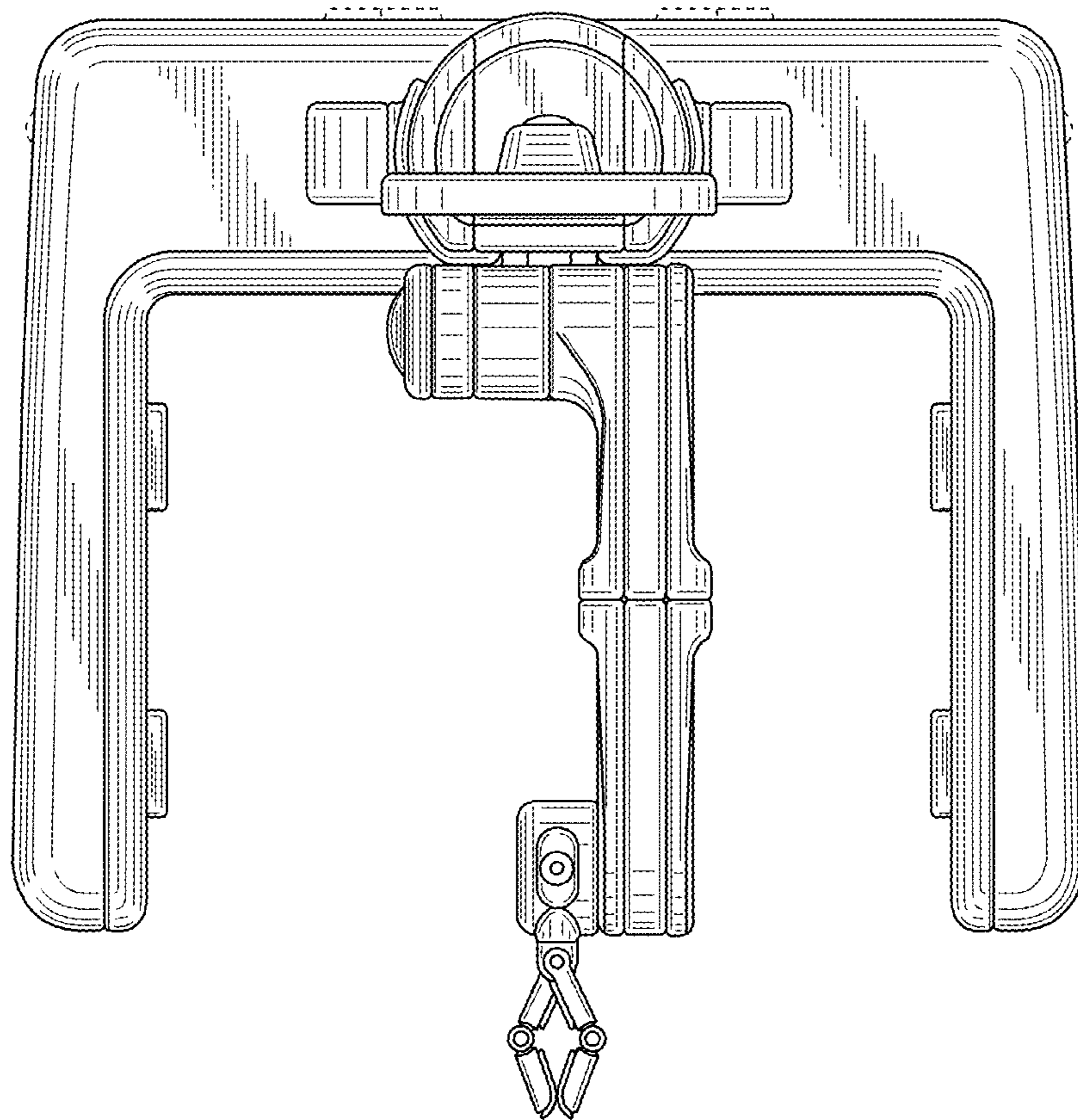


FIG. 6

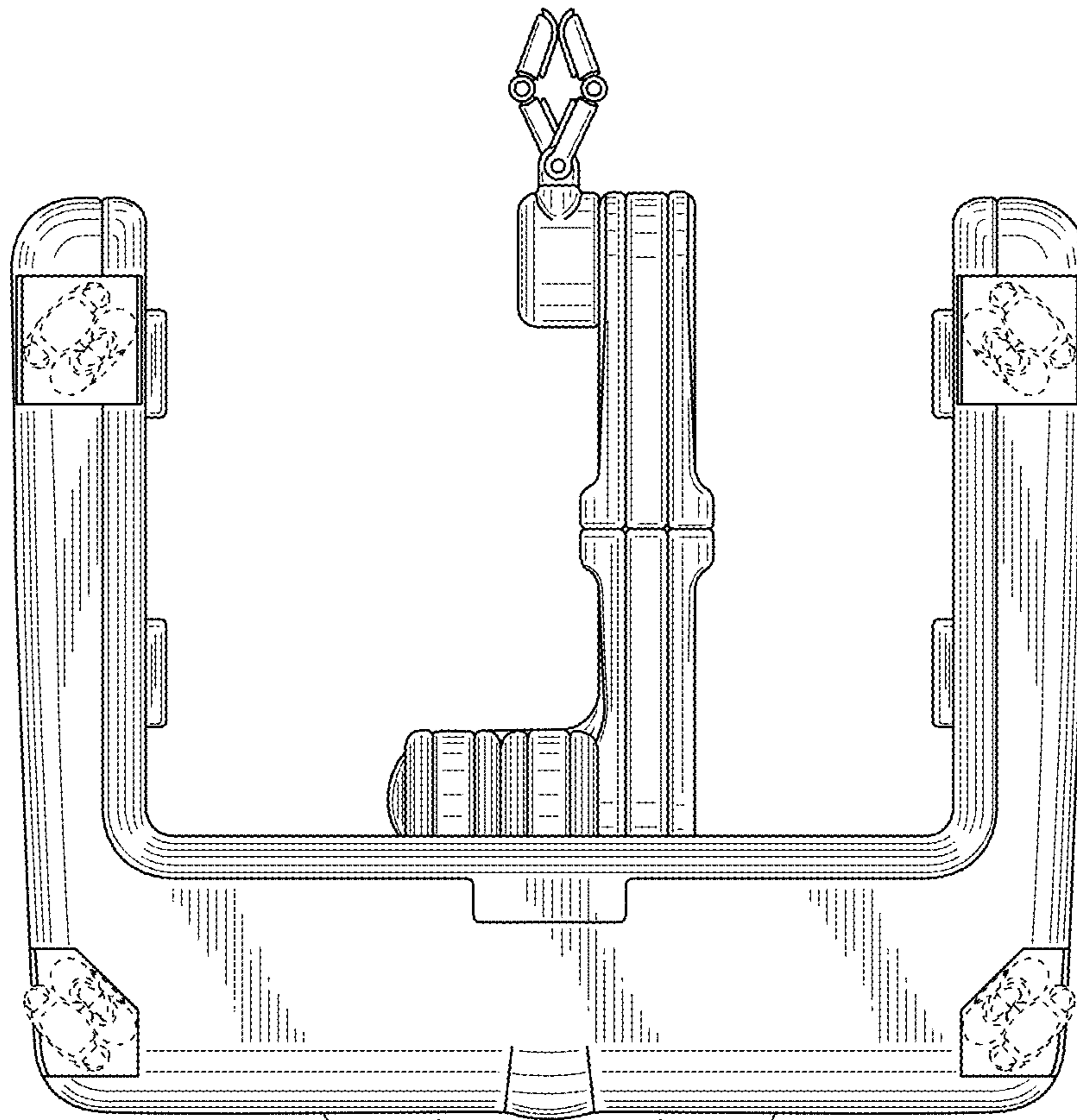


FIG. 7

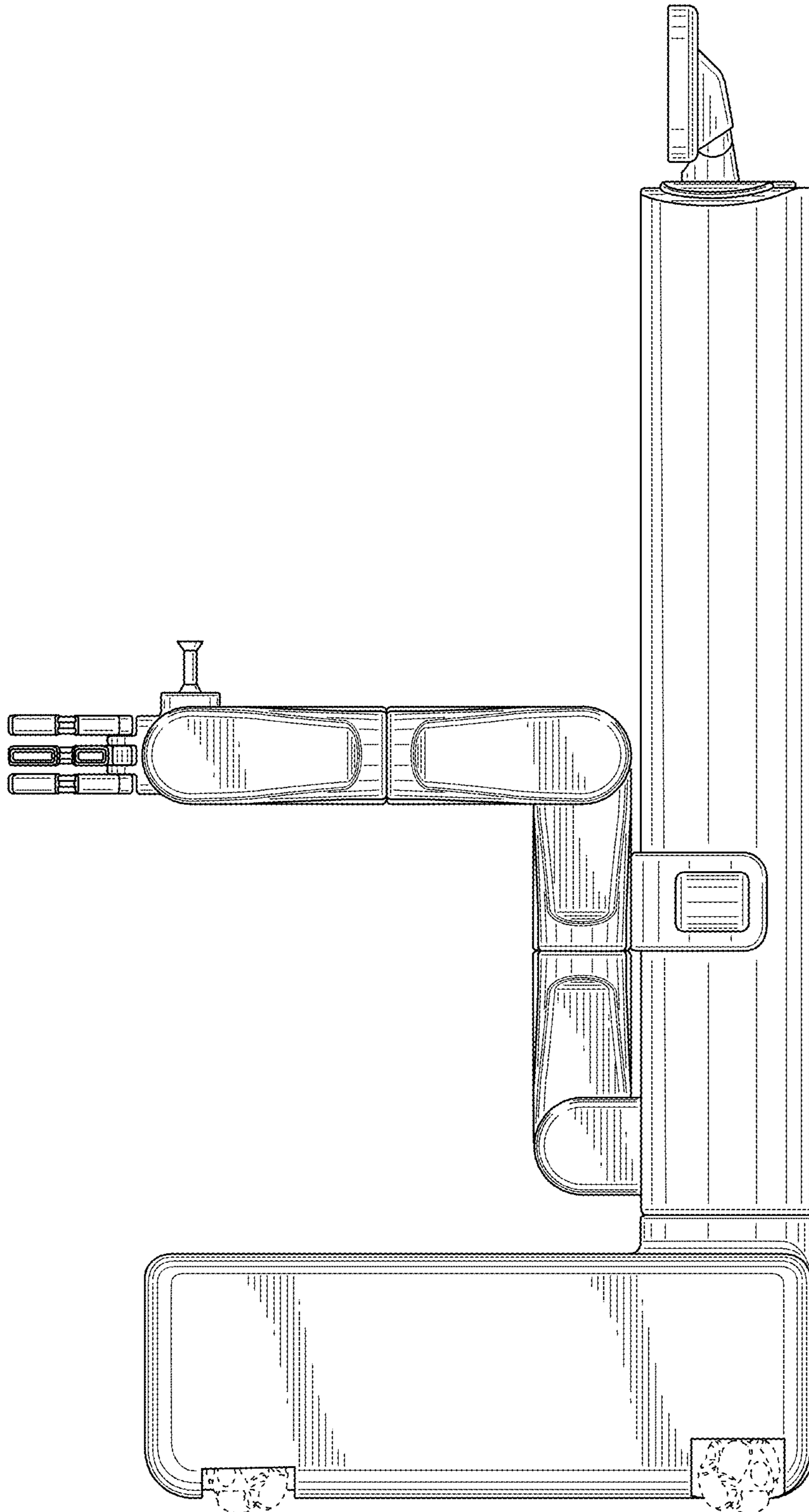


FIG. 8

