



US00D822732S

(12) **United States Design Patent**
Deivasigamani et al.

(10) **Patent No.:** **US D822,732 S**
(45) **Date of Patent:** **** Jul. 10, 2018**

(54) **CONDENSATE NEUTRALIZER DEVICE**

5,375,586 A * 12/1994 Schumacher F24H 8/006
126/110 R
D494,988 S * 8/2004 Tanaka D15/122
D678,373 S * 3/2013 Kita D15/144.2
D703,715 S * 4/2014 Kita D15/144
D803,286 S * 11/2017 Egami D15/148

(71) Applicants: **Sridhar Deivasigamani**, Peoria, IL
(US); **Sivaprasad Akasam**, Dunlap, IL
(US); **Miguel Gonzales**, Princeville, IL
(US)

(72) Inventors: **Sridhar Deivasigamani**, Peoria, IL
(US); **Sivaprasad Akasam**, Dunlap, IL
(US); **Miguel Gonzales**, Princeville, IL
(US)

(73) Assignee: **Intellihot, Inc.**, Galesburg, IL (US)

(**) Term: **15 Years**

(21) Appl. No.: **29/592,309**

(22) Filed: **Jan. 30, 2017**

(51) **LOC (11) Cl.** **15-09**

(52) **U.S. Cl.**
USPC **D15/144**

(58) **Field of Classification Search**
USPC D15/122, 144, 144.1, 144.2; D23/329,
D23/332
CPC F23J 15/00; F24H 8/006; Y02B 30/106
See application file for complete search history.

(56) **References Cited**

U.S. PATENT DOCUMENTS

D137,465 S * 3/1944 Nielsen D15/144
D148,739 S * 2/1948 Wilks D23/342
4,289,730 A * 9/1981 Tomlinson B01D 53/34
110/203
4,309,947 A * 1/1982 Ketterer F24H 8/006
110/203
4,478,158 A * 10/1984 Smith F24H 3/065
110/215
4,543,892 A * 10/1985 Tomlinson B01D 53/507
110/203
D287,757 S * 1/1987 Webb D15/144.1

Primary Examiner — Patricia A Palasik

(74) *Attorney, Agent, or Firm* — Tracy Jong Law Firm;
Tracy P. Jong; Cheng Ning Jong

(57) **CLAIM**

The ornamental design for a condensate neutralizer device,
as shown and described.

DESCRIPTION

FIG. 1 is a top right front view of a condensate neutralizer device.

FIG. 2 is a bottom left rear view thereof.

FIG. 3 is a top view thereof.

FIG. 4 is a bottom view thereof.

FIG. 5 is a front view thereof.

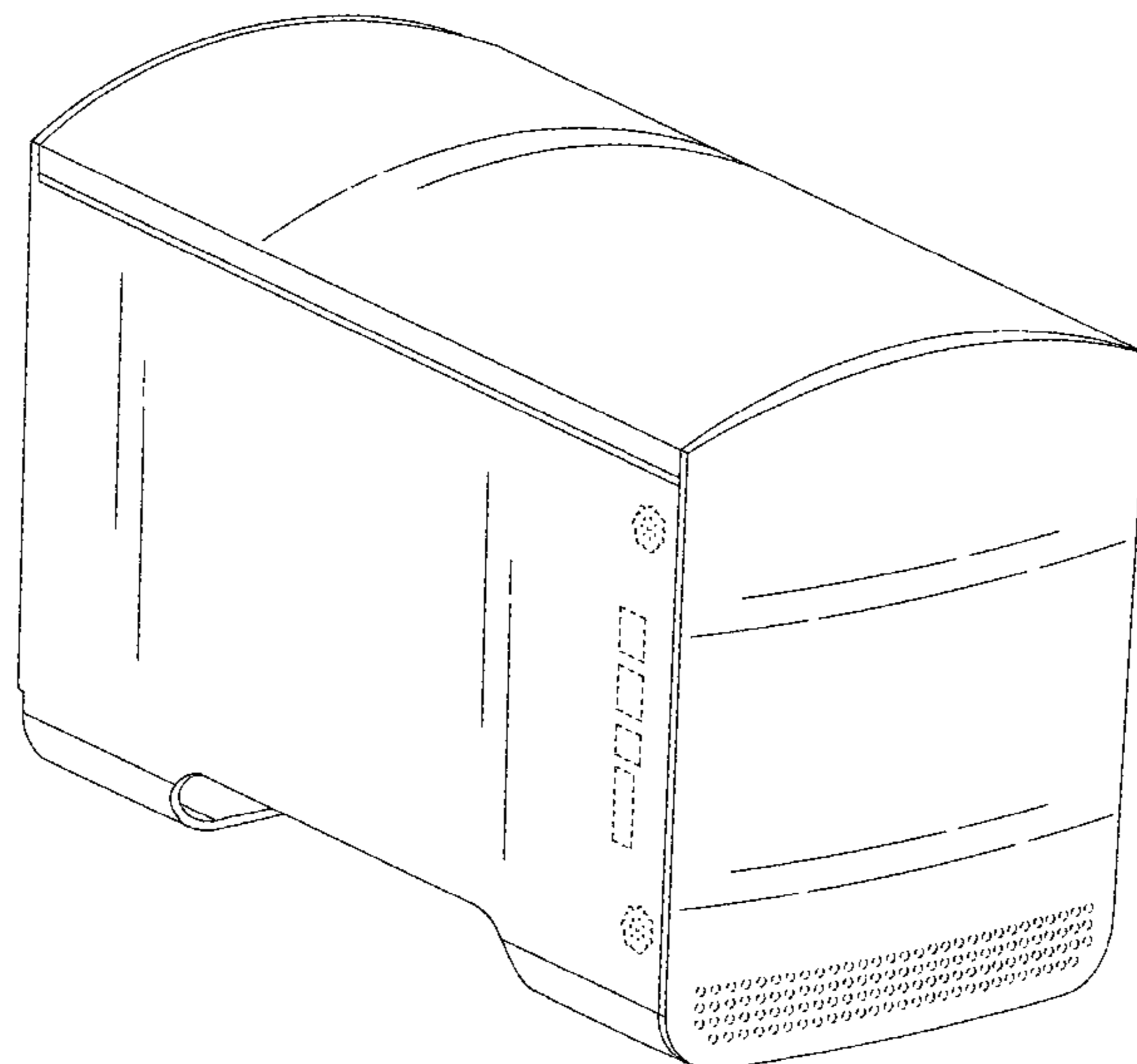
FIG. 6 is a rear view thereof.

FIG. 7 is a right side view thereof; and,

FIG. 8 is a left side view thereof.

The rectangular and circular features disposed on the front portion of the right side of the condensate neutralizer device as shown in FIGS. 1 and 7, the circular features disposed on the lower portion of the front of the condensate neutralizer device as shown in FIGS. 1 and 4-8, the combined rectangular and circular features disposed on the bottom portion of the front support as shown in FIGS. 2 and 4, the semi-circular opening disposed on the bottom surface of the condensate neutralizer device as shown in FIG. 2, the two ports disposed on the rear of the condensate neutralizer device as shown in FIGS. 2-4 and 6-8 and the broken lines shown throughout the views represent the portions of the design that form no part of the claim.

1 Claim, 8 Drawing Sheets



(56)

References Cited

U.S. PATENT DOCUMENTS

2009/0229539 A1* 9/2009 Young F16T 1/34
122/14.1
2011/0297139 A1* 12/2011 Tsunekawa F28F 17/005
126/112
2016/0216005 A1* 7/2016 Bruton F24H 8/006
2016/0363346 A1* 12/2016 Vargo F24H 8/006
2017/0010020 A1* 1/2017 Bernasconi F24H 8/006

* cited by examiner

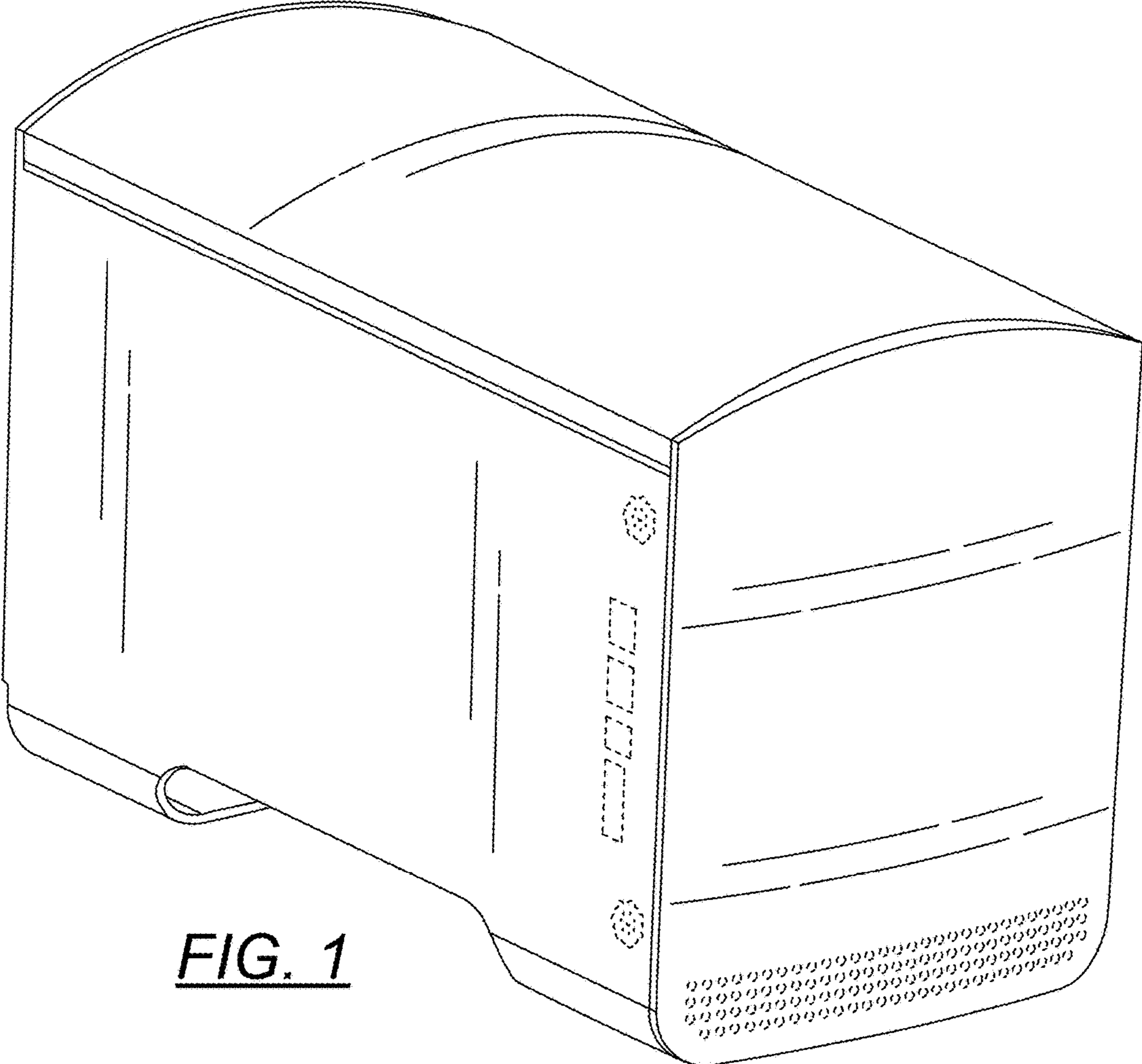


FIG. 1

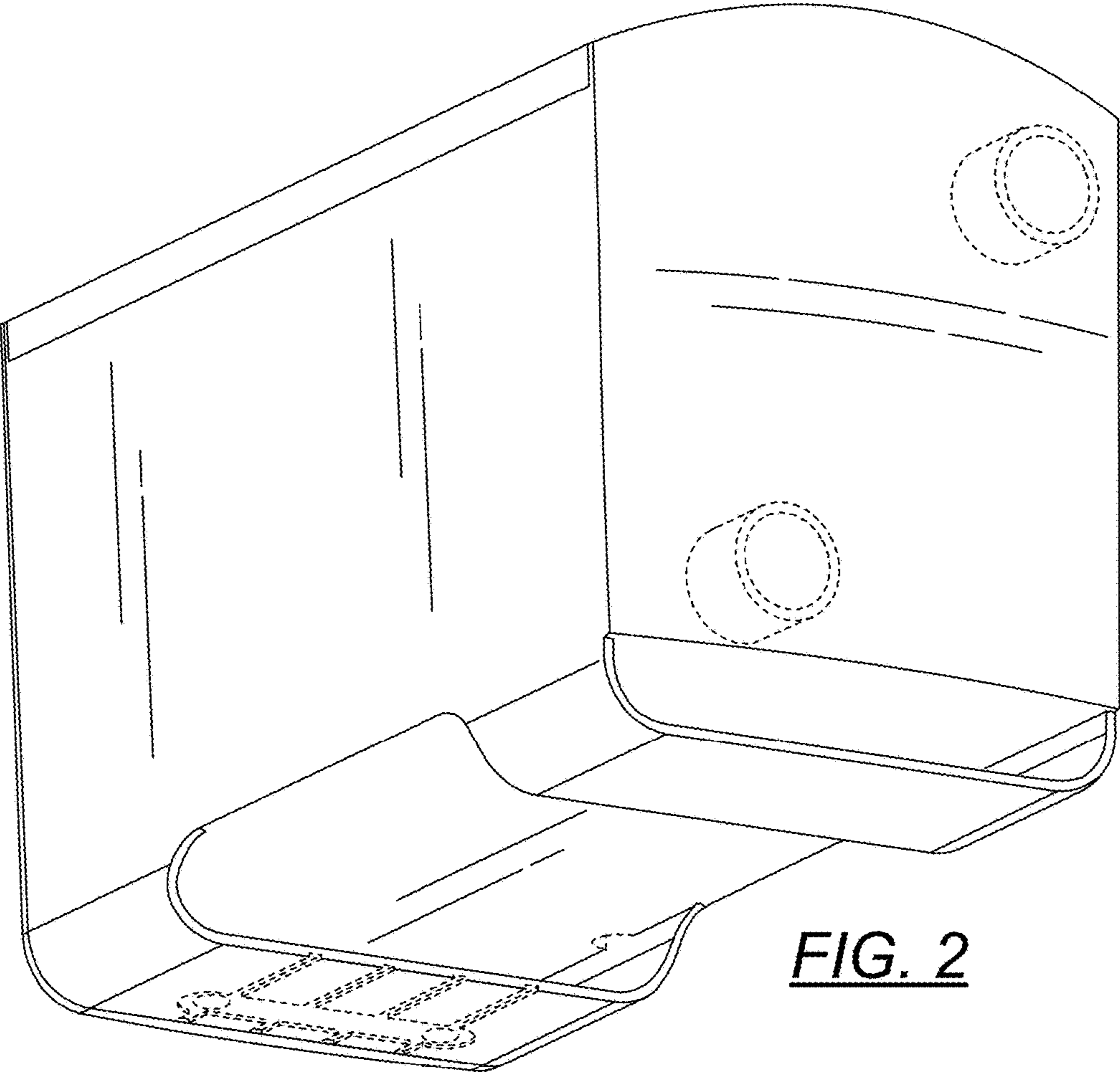


FIG. 2

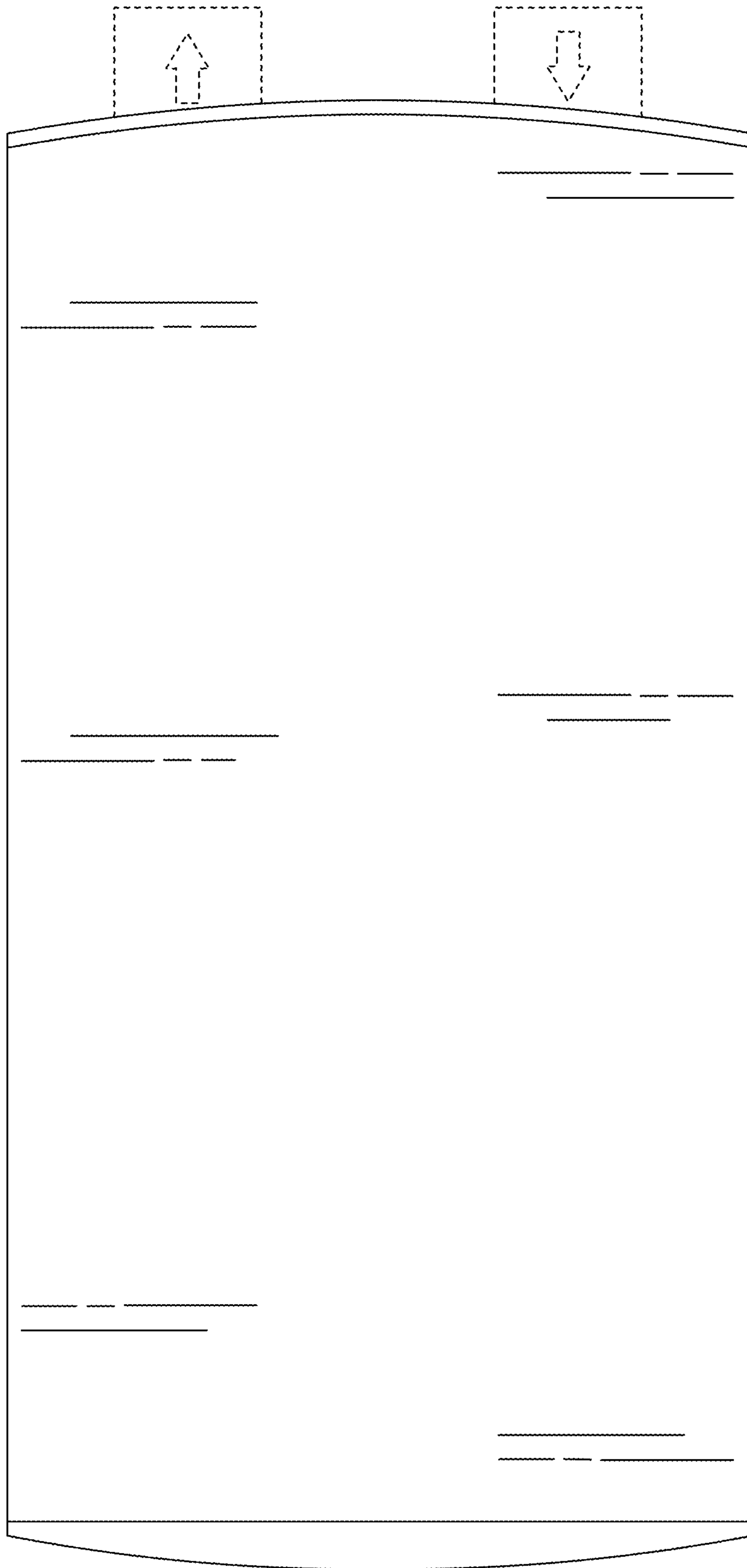


FIG. 3

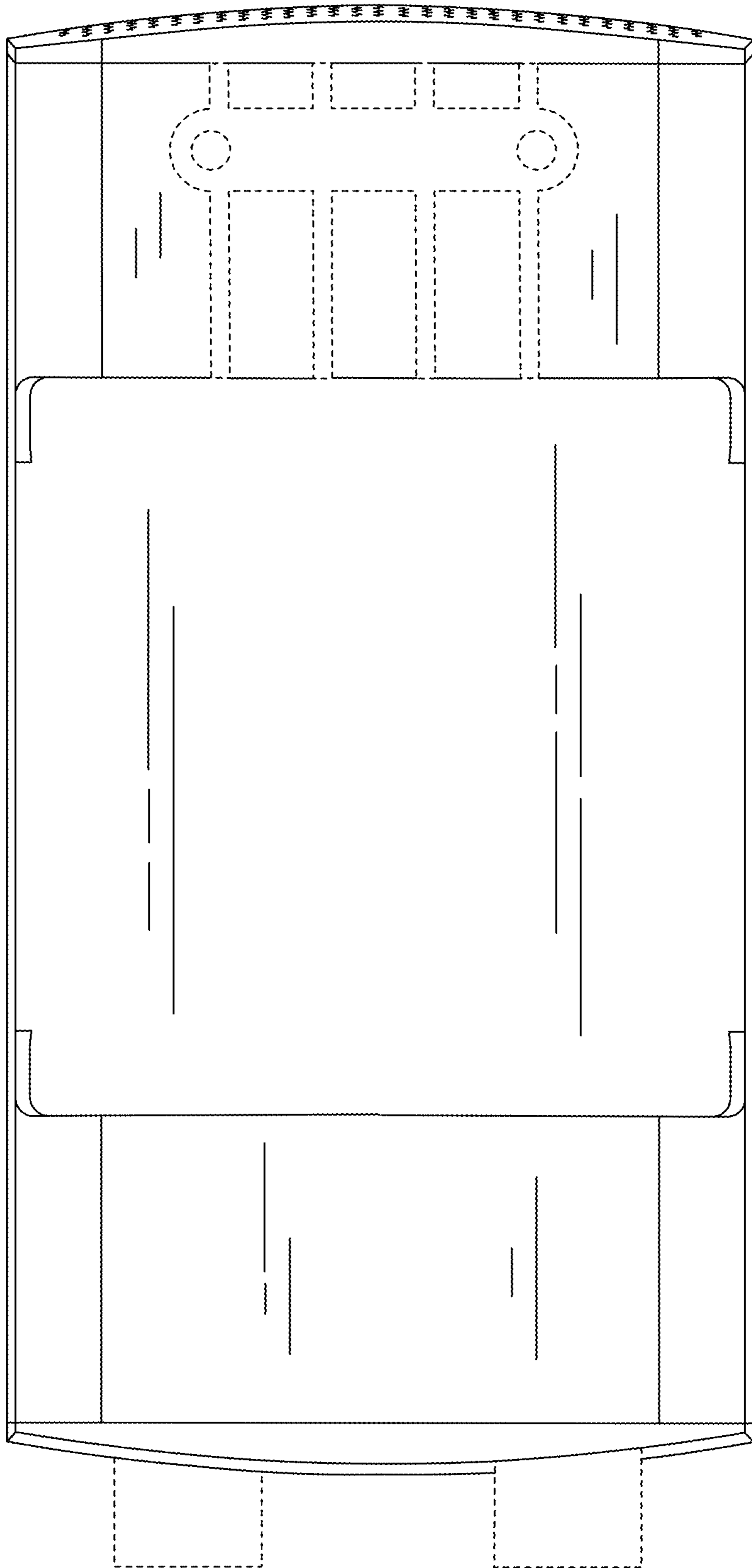


FIG. 4

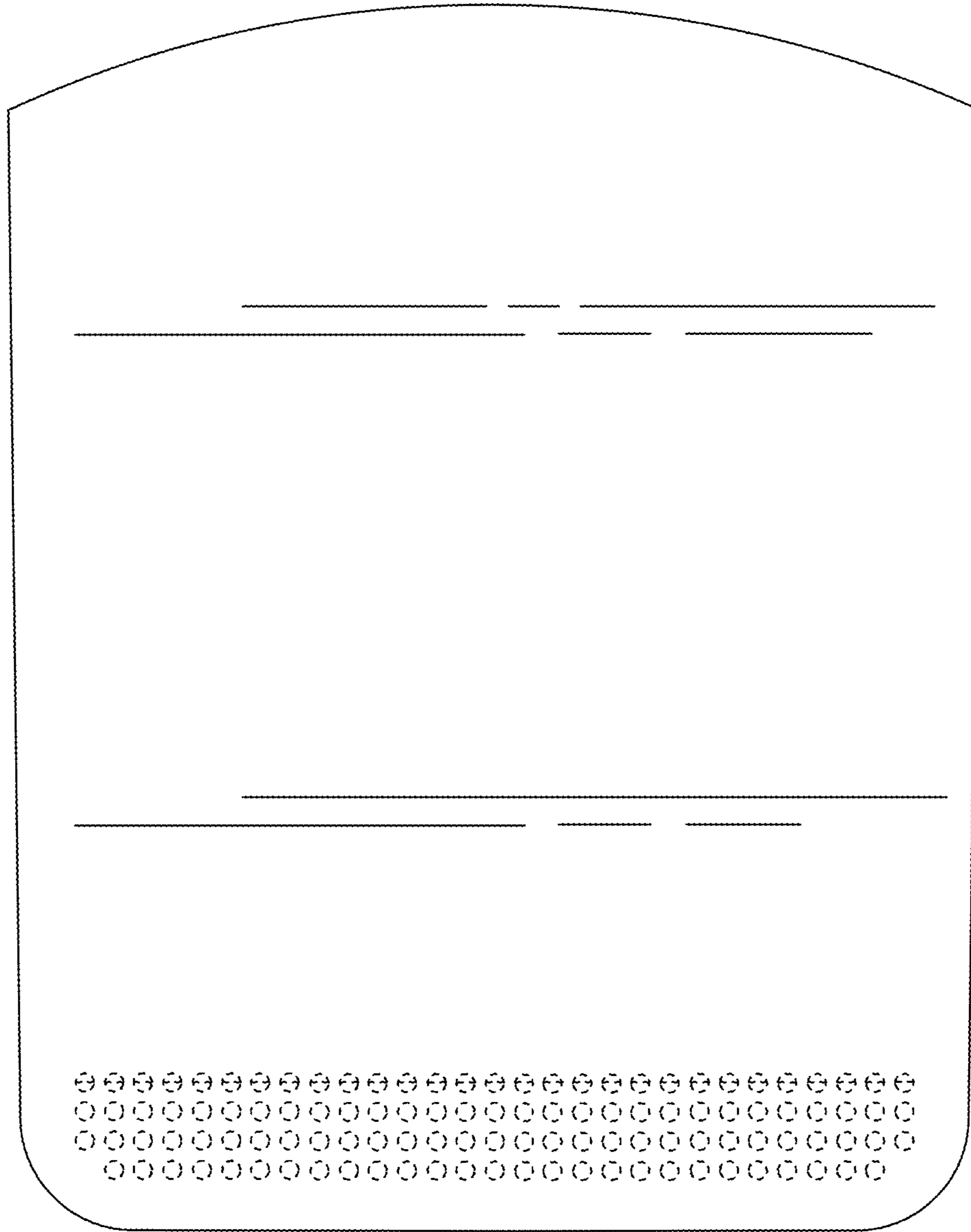


FIG. 5

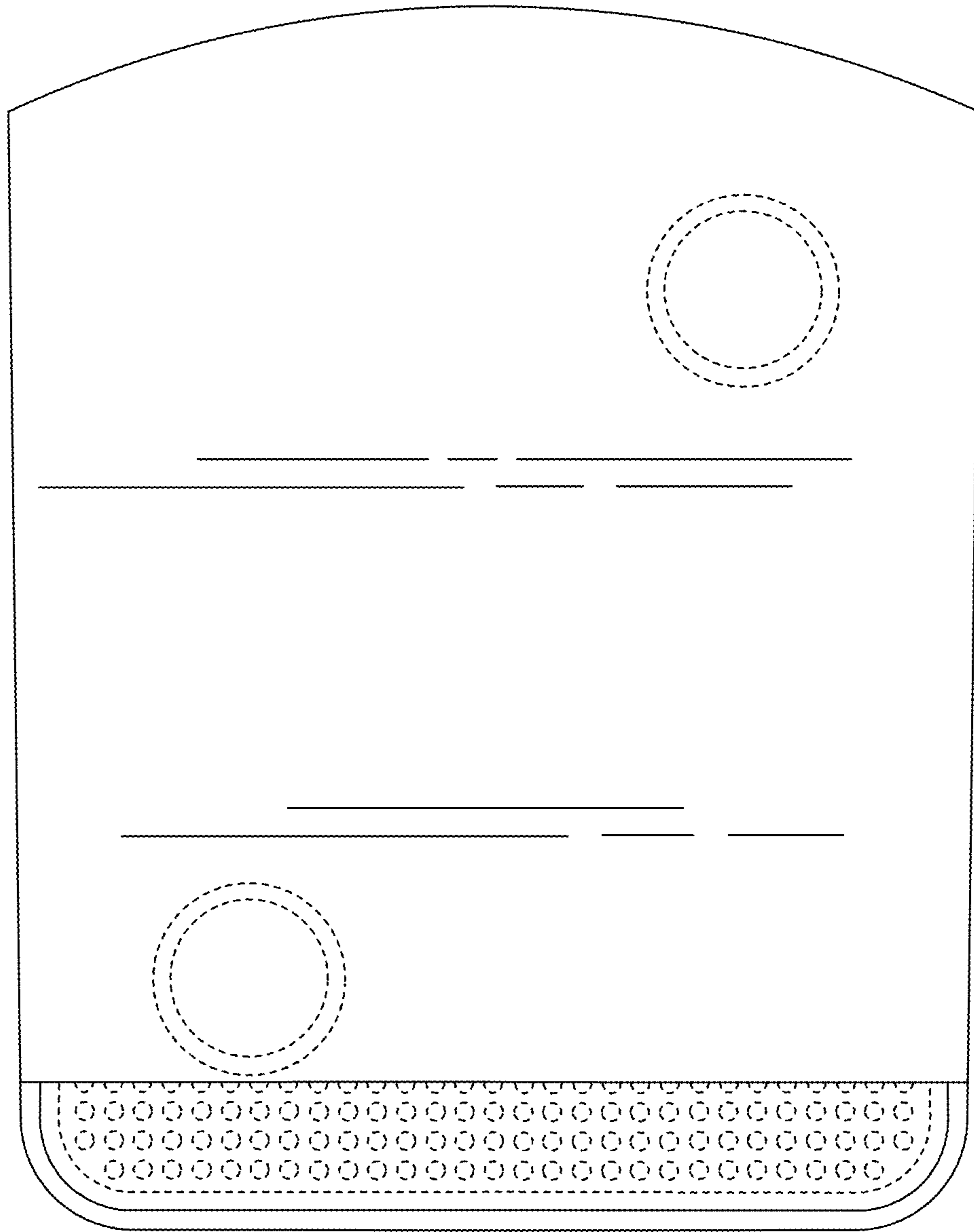


FIG. 6

