

US00D822728S

(12) **United States Design Patent**
Livengood

(10) **Patent No.:** **US D822,728 S**
(45) **Date of Patent:** **** Jul. 10, 2018**

(54) **TWO COMPONENT POWER TAKE-OFF
COUPLING SYSTEM**

(71) Applicant: **Phillip H. Livengood**, Caldwell, TX
(US)

(72) Inventor: **Phillip H. Livengood**, Caldwell, TX
(US)

(**) Term: **15 Years**

(21) Appl. No.: **29/605,630**

(22) Filed: **May 27, 2017**

(51) **LOC (11) Cl.** **15-09**

(52) **U.S. Cl.**
USPC **D15/138**

(58) **Field of Classification Search**
USPC D15/138, 148; D23/262
CPC A01B 71/063; B60K 17/28; Y10T 403/125
See application file for complete search history.

(56) **References Cited**

U.S. PATENT DOCUMENTS

3,260,541	A *	7/1966	Sadler	A01B 71/06 403/325
4,778,349	A *	10/1988	Browning	F04B 9/02 403/299
D354,133	S *	1/1995	Scavitto	D23/262

D617,429	S *	6/2010	Govoni	D23/262
D638,104	S *	5/2011	Govoni	D23/262
2011/0287846	A1 *	11/2011	Drechsler	B62D 1/20 464/161
2011/0290570	A1 *	12/2011	Goulet	A01B 71/063 180/53.1
2013/0230352	A1 *	9/2013	Goulet	A01B 71/06 403/364

* cited by examiner

Primary Examiner — Patricia A Palasik

(74) *Attorney, Agent, or Firm* — Douglas Baldwin

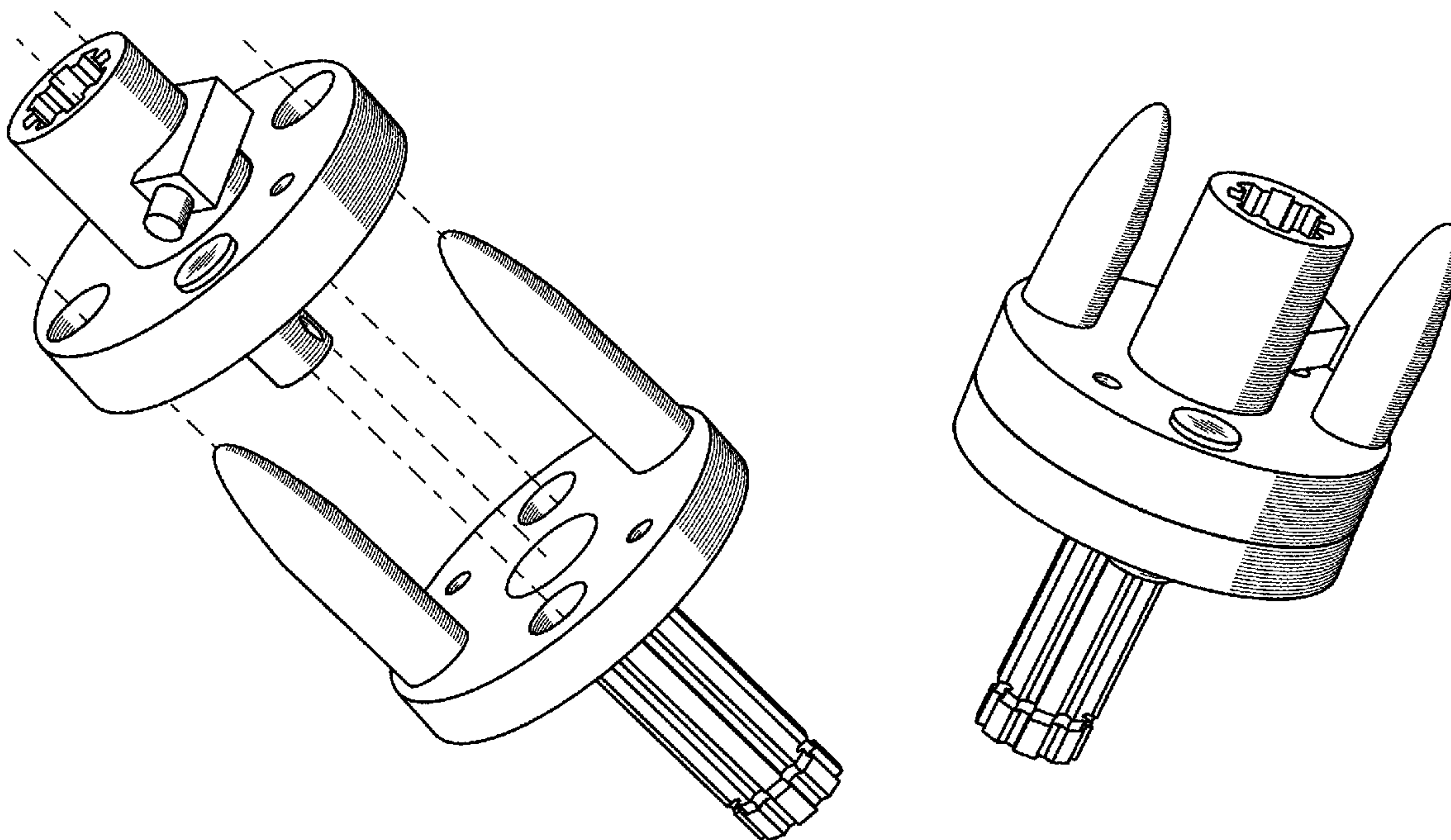
(57) **CLAIM**

The ornamental design for a two component power take-off coupling system, as shown and described.

DESCRIPTION

FIG. 1 is a rear view of the first component of my two component power take-off coupling system; FIG. 2 is a front view of the first component; FIG. 3 is a rear view of the second component of my two component power take-off coupling system; FIG. 4 is a front view of the second component; FIG. 5 is a side view of the second component; FIG. 6 is a perspective view of the second component; FIG. 7 is an exploded perspective view of the first and second components showing how they fit together; and, FIG. 8 is a perspective view of the first and second components attached together.

1 Claim, 4 Drawing Sheets



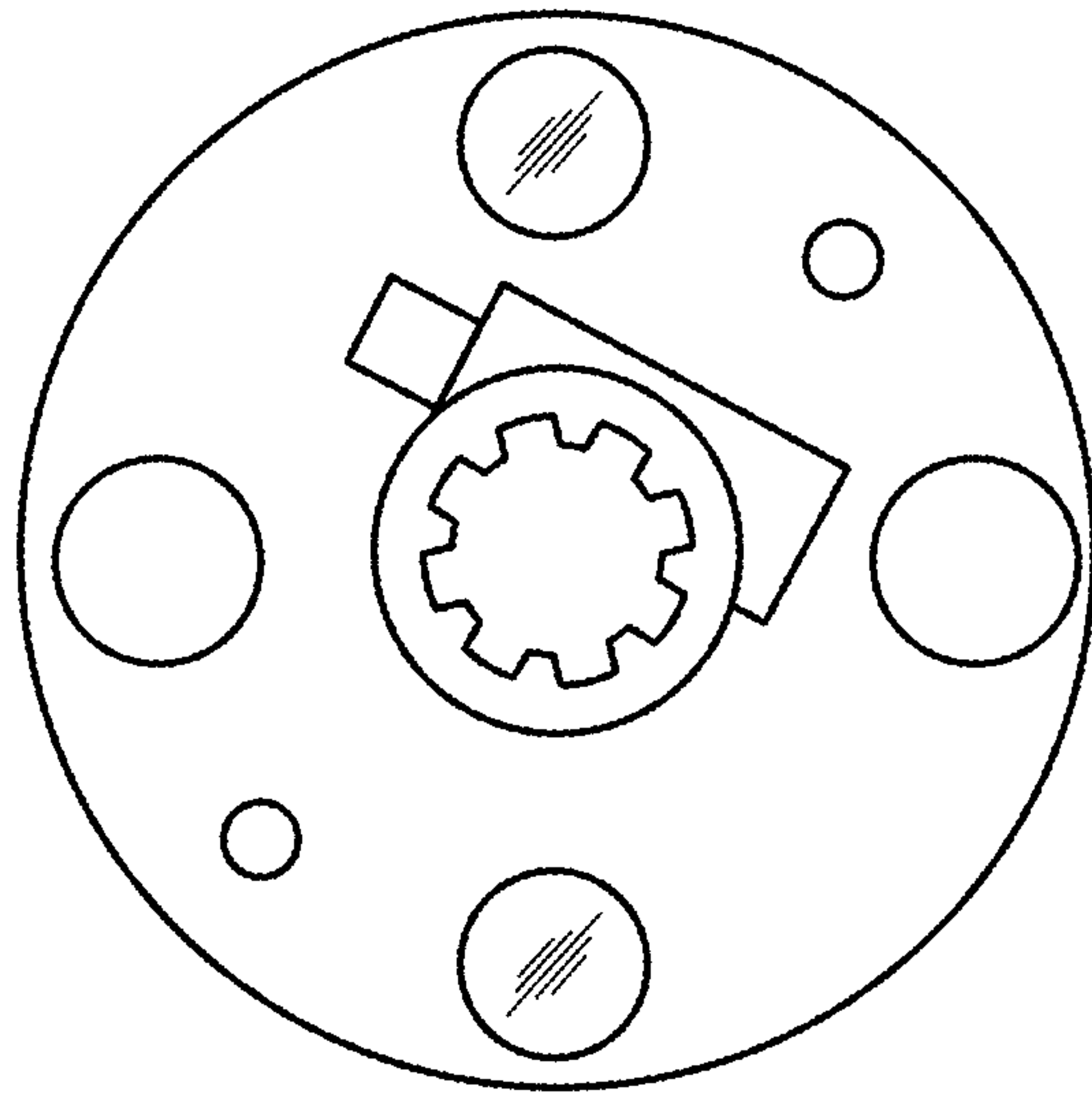


FIG. 1

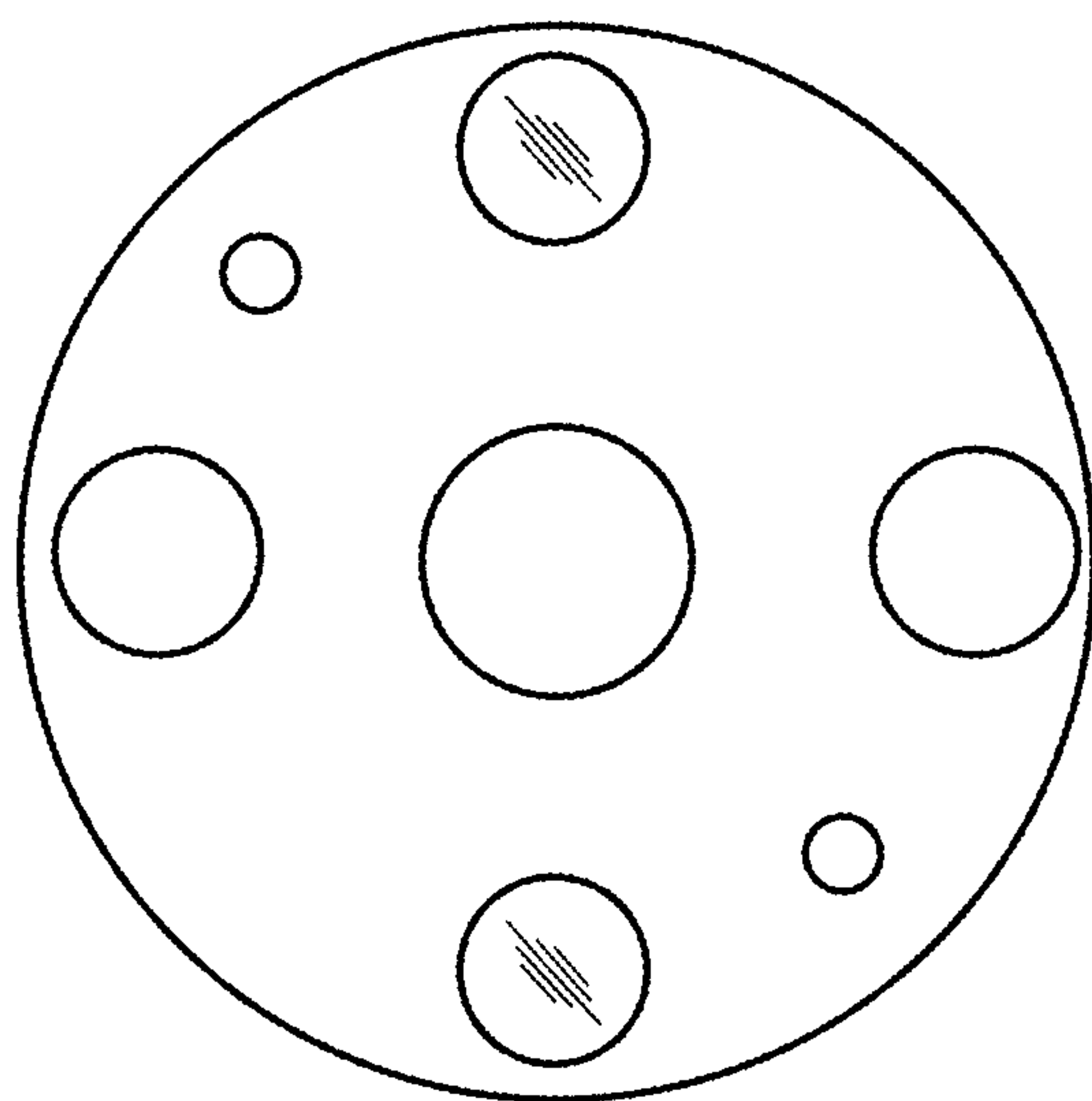


FIG. 2

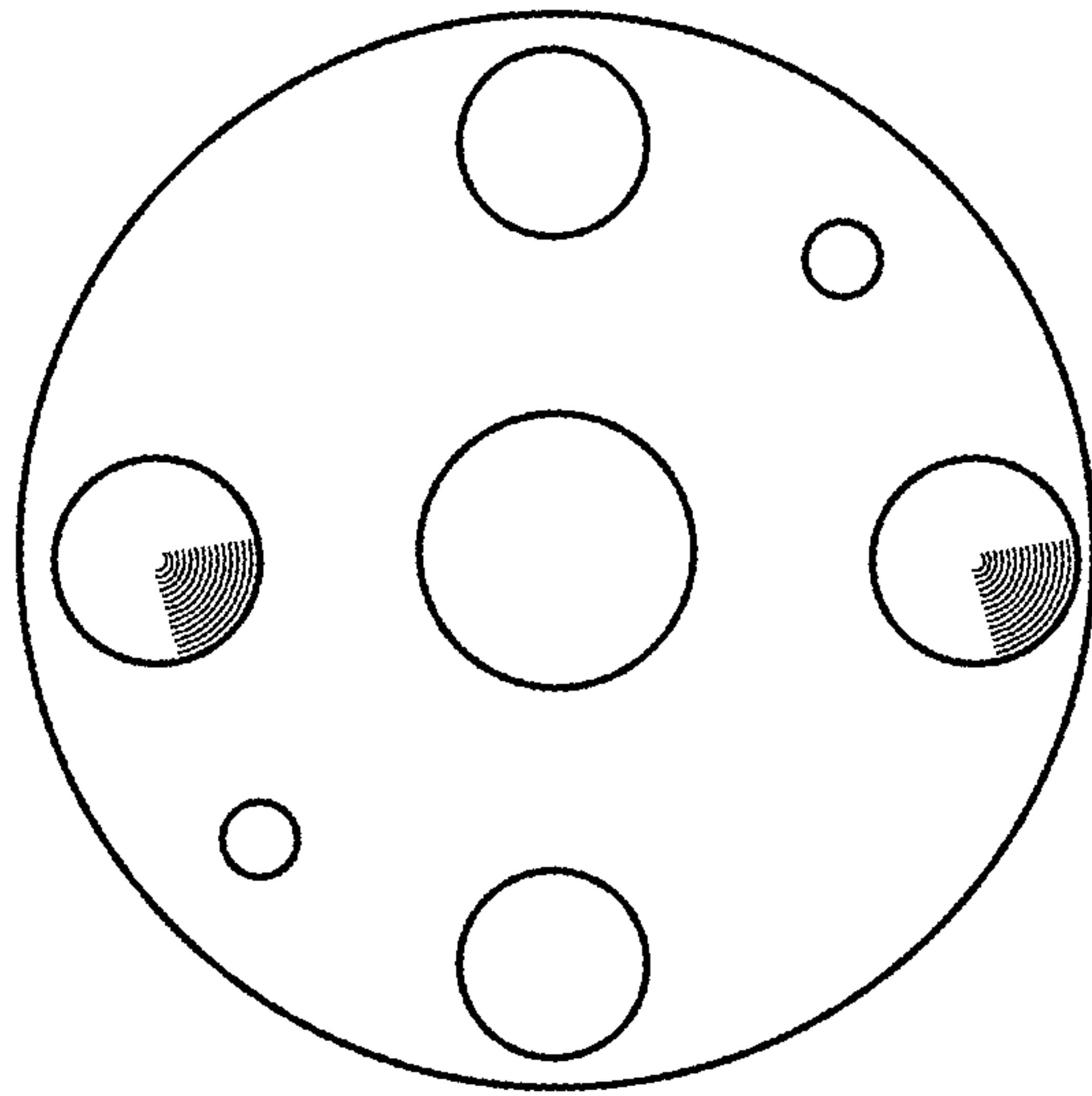


FIG. 3

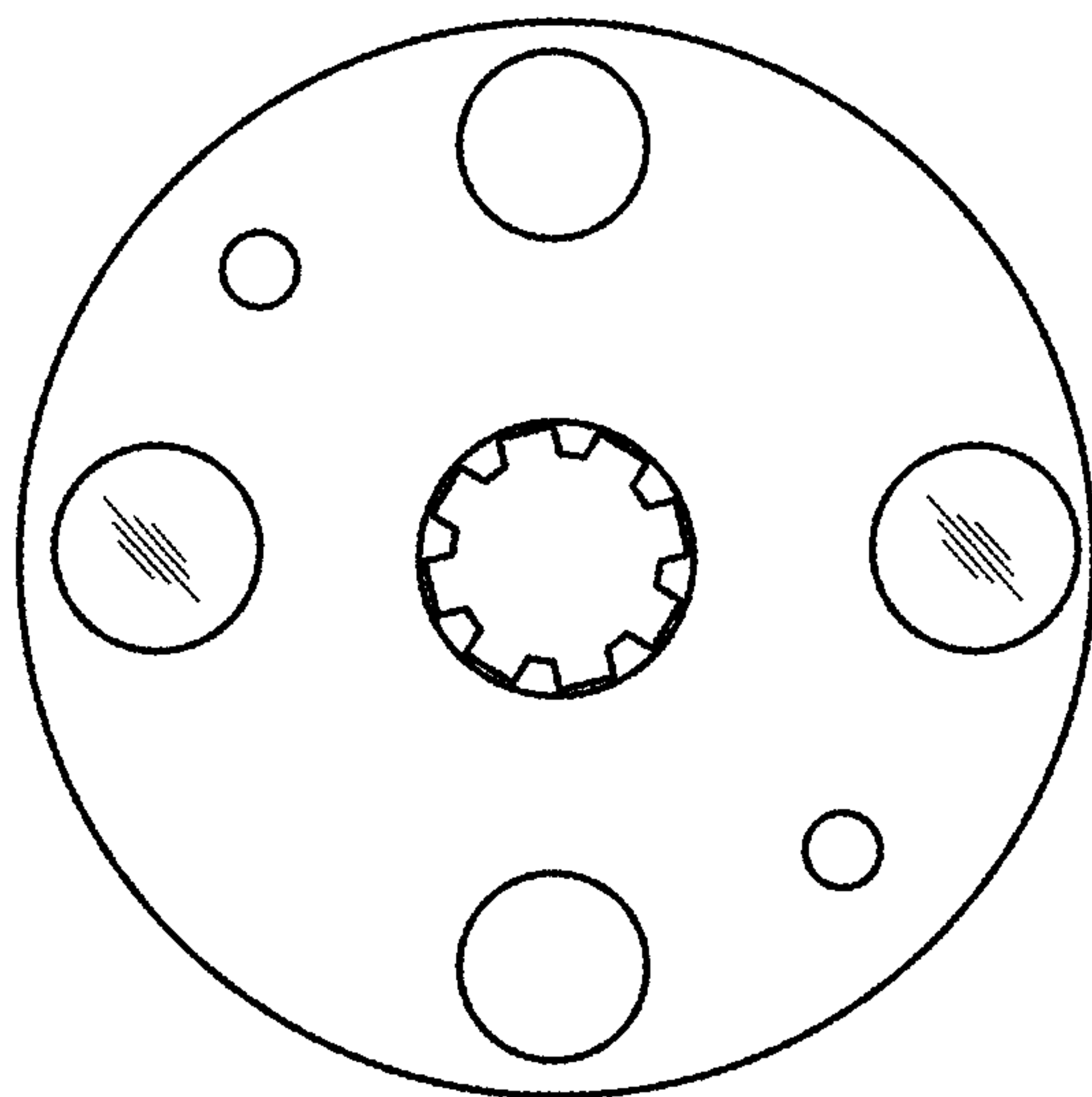


FIG. 4

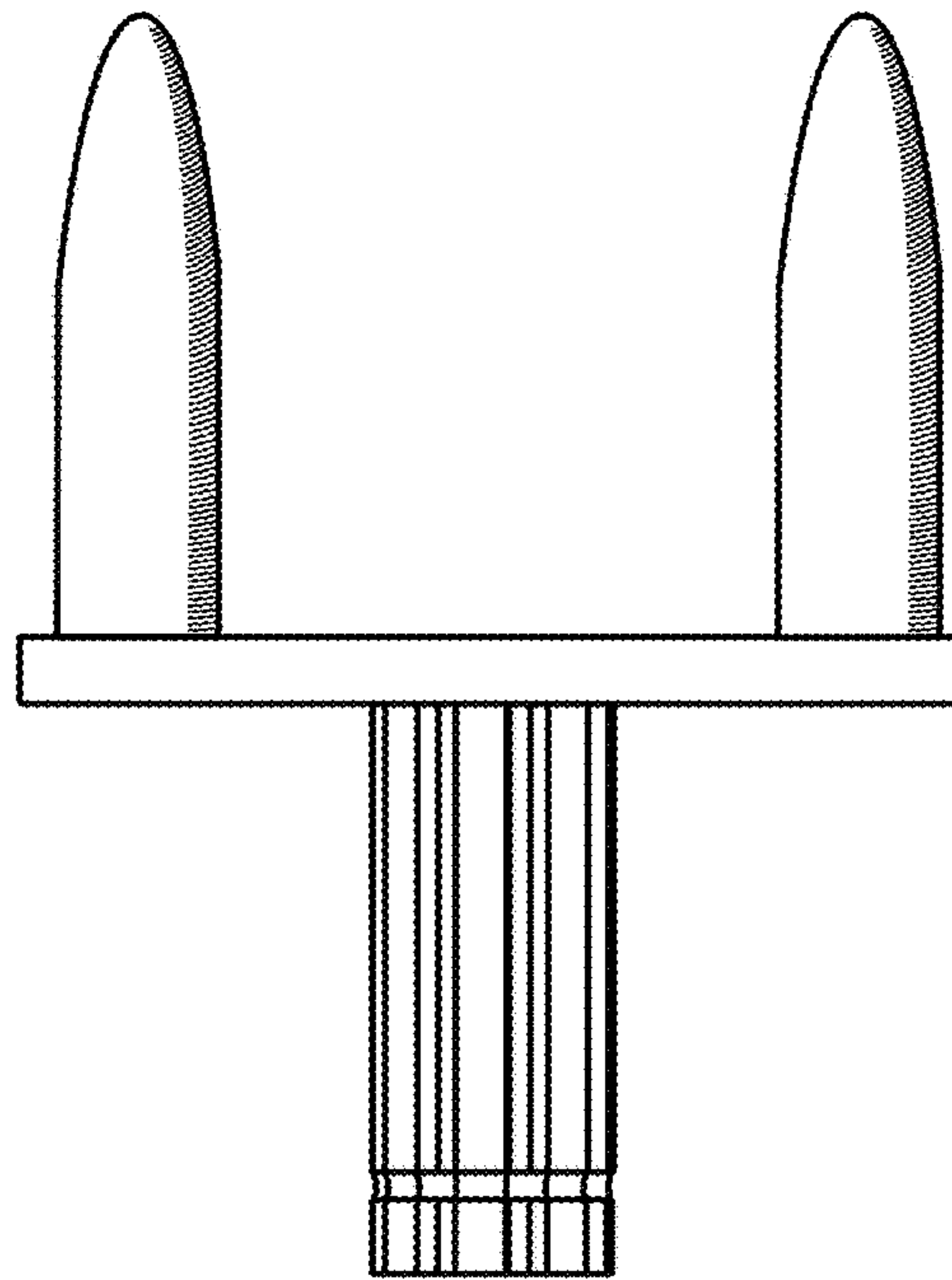


FIG. 5

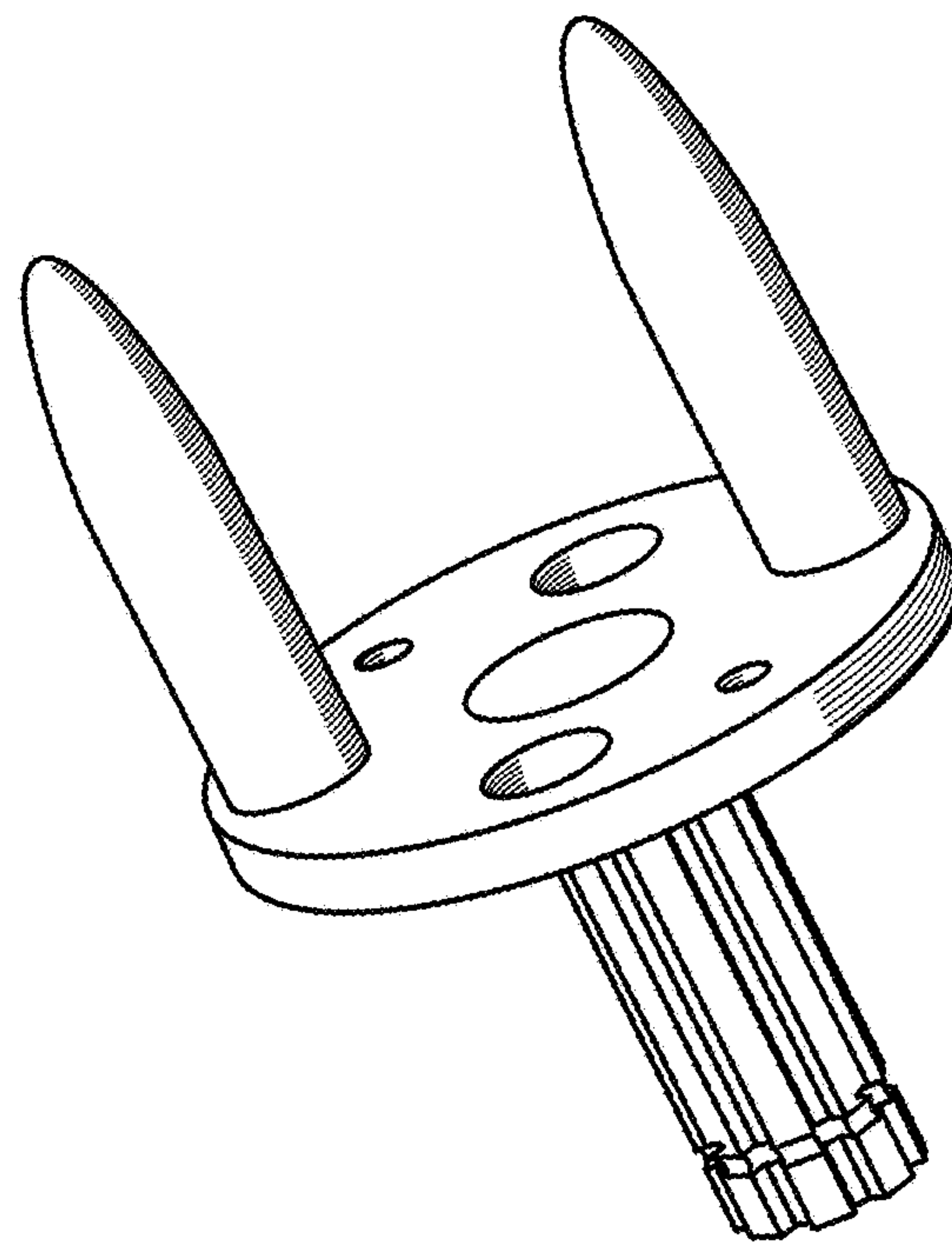


FIG. 6

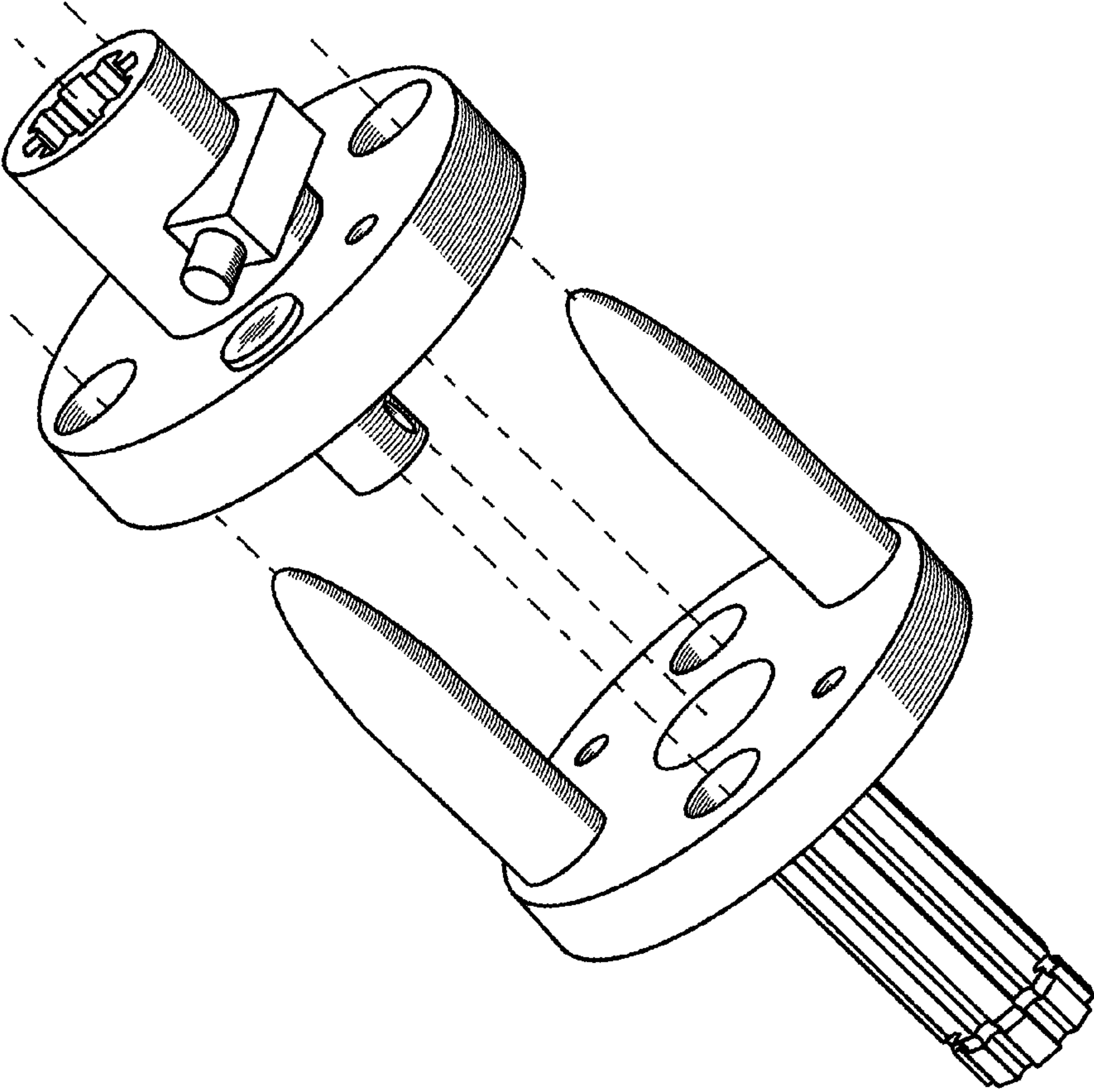


FIG. 7

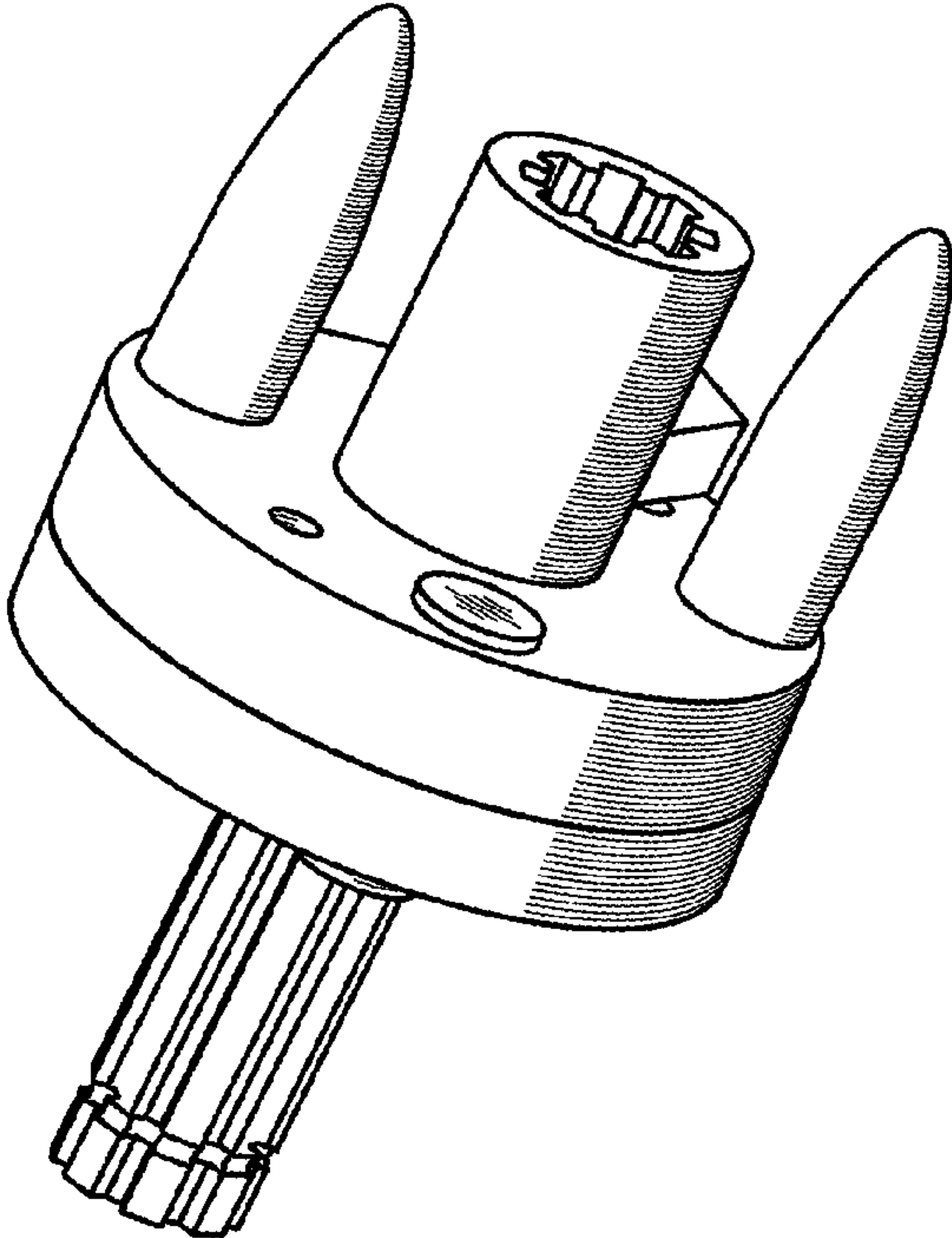


FIG. 8