



US00D822726S

(12) **United States Design Patent** (10) **Patent No.:** **US D822,726 S**  
**Tsouris et al.** (45) **Date of Patent:** **\*\* Jul. 10, 2018**

(54) **MITRE SAW**

(71) Applicant: **EVOLUTION POWER TOOLS LTD,**  
Sheffield, South Yorkshire (GB)

(72) Inventors: **Sotiris Tsouris,** Sheffield (GB);  
**Matthew Conley,** Sheffield (GB)

(73) Assignee: **EVOLUTION POWER TOOLS LIMITED,** Sheffield (GB)

(\*\*) Term: **15 Years**

(21) Appl. No.: **35/501,099**

(22) Filed: **May 10, 2016**

(80) **Hague Agreement Data**  
 Int. Filing Date: **May 10, 2016**  
 Int. Reg. No.: **DM/090913**  
 Int. Reg. Date: **May 10, 2016**  
 Int. Reg. Pub. Date: **Jun. 17, 2016**

D415,942 S \* 11/1999 Shibata ..... D15/133  
 D421,267 S \* 2/2000 Price ..... D15/133  
 D423,526 S \* 4/2000 Brazell ..... D15/133  
 D435,569 S \* 12/2000 Hollinger ..... D15/133  
 D454,577 S \* 3/2002 Meredith ..... D15/133  
 D455,445 S \* 4/2002 Bean ..... D15/133  
 D459,373 S \* 6/2002 Hollinger ..... D15/133  
 D471,216 S \* 3/2003 Hollinger ..... D15/133  
 D478,103 S \* 8/2003 Kani ..... D15/133  
 D479,251 S \* 9/2003 Wright ..... D15/133  
 D481,401 S \* 10/2003 Shoene et al. .... D15/133  
 D487,280 S \* 3/2004 Hon ..... D15/133  
 D487,754 S \* 3/2004 Kao ..... D15/133  
 D490,826 S \* 6/2004 Wu ..... D15/133  
 D513,271 S \* 12/2005 Ozawa ..... D15/133  
 D518,495 S \* 4/2006 Firth ..... D15/133  
 D520,033 S \* 5/2006 Firth ..... D15/133  
 D531,195 S \* 10/2006 Waldron ..... D15/133  
 D532,430 S \* 11/2006 Firth ..... D15/133  
 D535,670 S \* 1/2007 Firth ..... D15/133  
 D547,338 S \* 7/2007 Firth ..... D15/133  
 D566,142 S \* 4/2008 Gavins ..... D15/133

(Continued)

*Primary Examiner* — Darlington Ly  
 (74) *Attorney, Agent, or Firm* — King & Schickli, PLLC

(30) **Foreign Application Priority Data**  
 Nov. 13, 2015 (GB) ..... 5000452

(51) **LOC (11) Cl.** ..... **15-09**

(52) **U.S. Cl.**  
 USPC ..... **D15/133**

(58) **Field of Classification Search**  
 USPC ..... D15/9, 17, 28–29, 124–134, 138–143;  
 D10/64, 65; D8/8, 66, 70; D7/412  
 CPC ..... B21D 17/04; B23B 5/162; B23B 5/163;  
 B23D 45/044–45/048; B23K 7/006  
 See application file for complete search history.

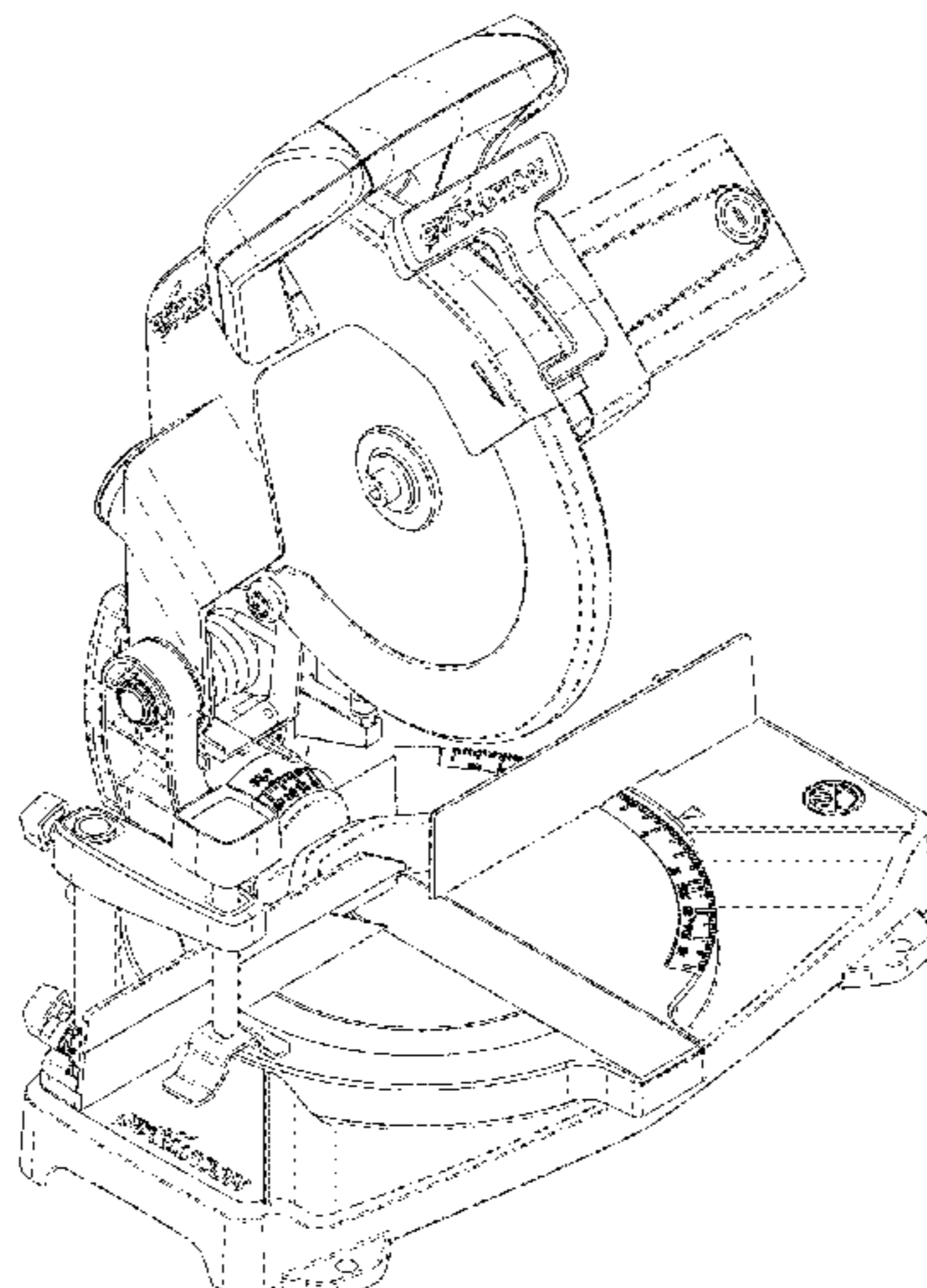
(57) **CLAIM**  
 The ornamental design for a mitre saw, as shown and described.

(56) **References Cited**  
 U.S. PATENT DOCUMENTS  
 D287,694 S \* 1/1987 Miyamoto ..... D15/133  
 D306,031 S \* 2/1990 Ushiwata ..... D15/133  
 D415,000 S \* 10/1999 Sakai ..... D8/66

**DESCRIPTION**

1. Mitre saw  
**1.1** is a front elevation view of a mitre saw showing our new design;  
**1.2** is a perspective view thereof;  
**1.3** is a top plan view thereof;  
**1.4** is a front elevation view thereof with the saw in a lowered position; and  
**1.5** is a left side elevation view thereof with the saw in a lowered position.  
 The broken lines in the drawings depict portions of the saw that form no part of the claimed design.

**1 Claim, 5 Drawing Sheets**



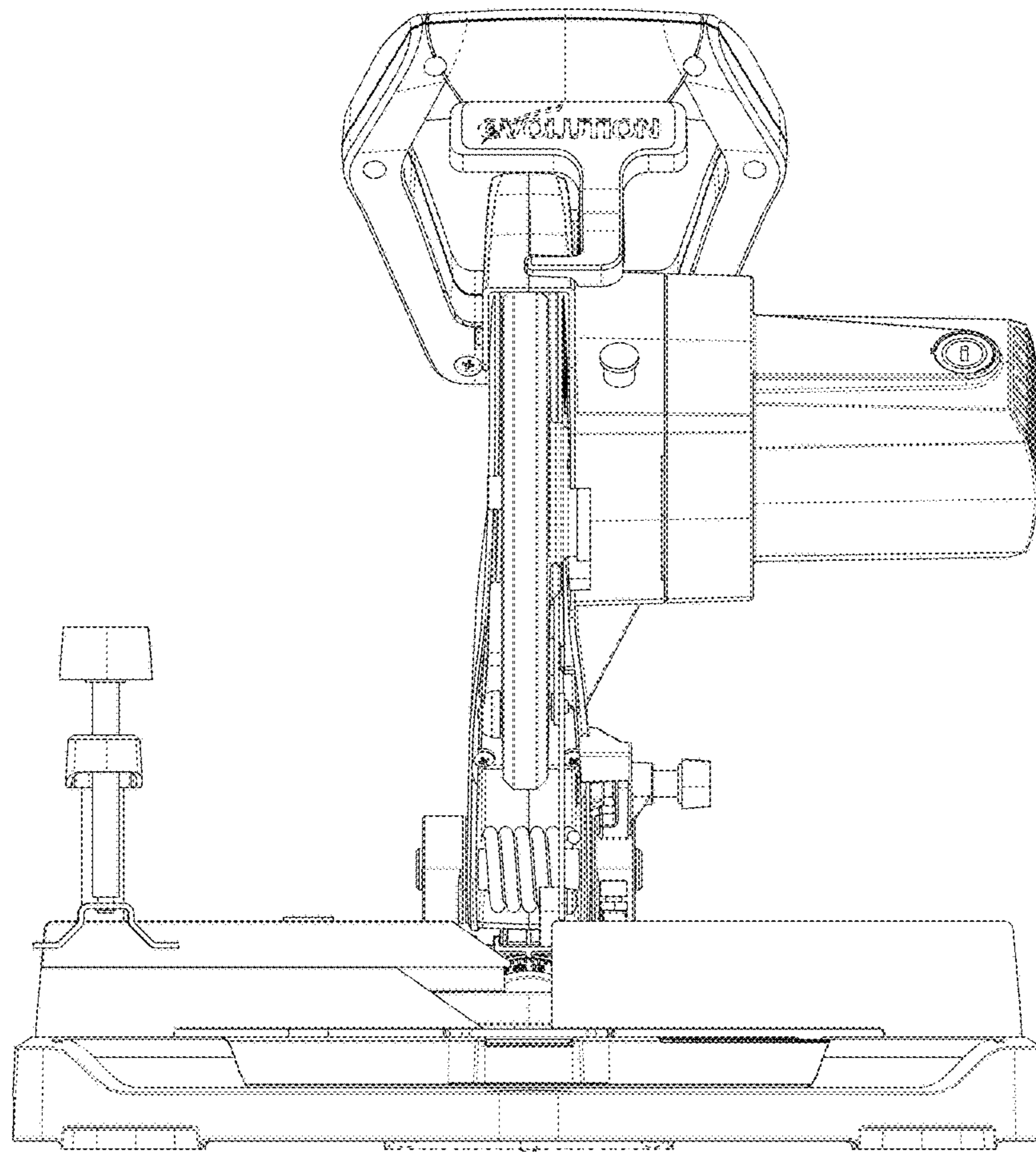
(56)

**References Cited**

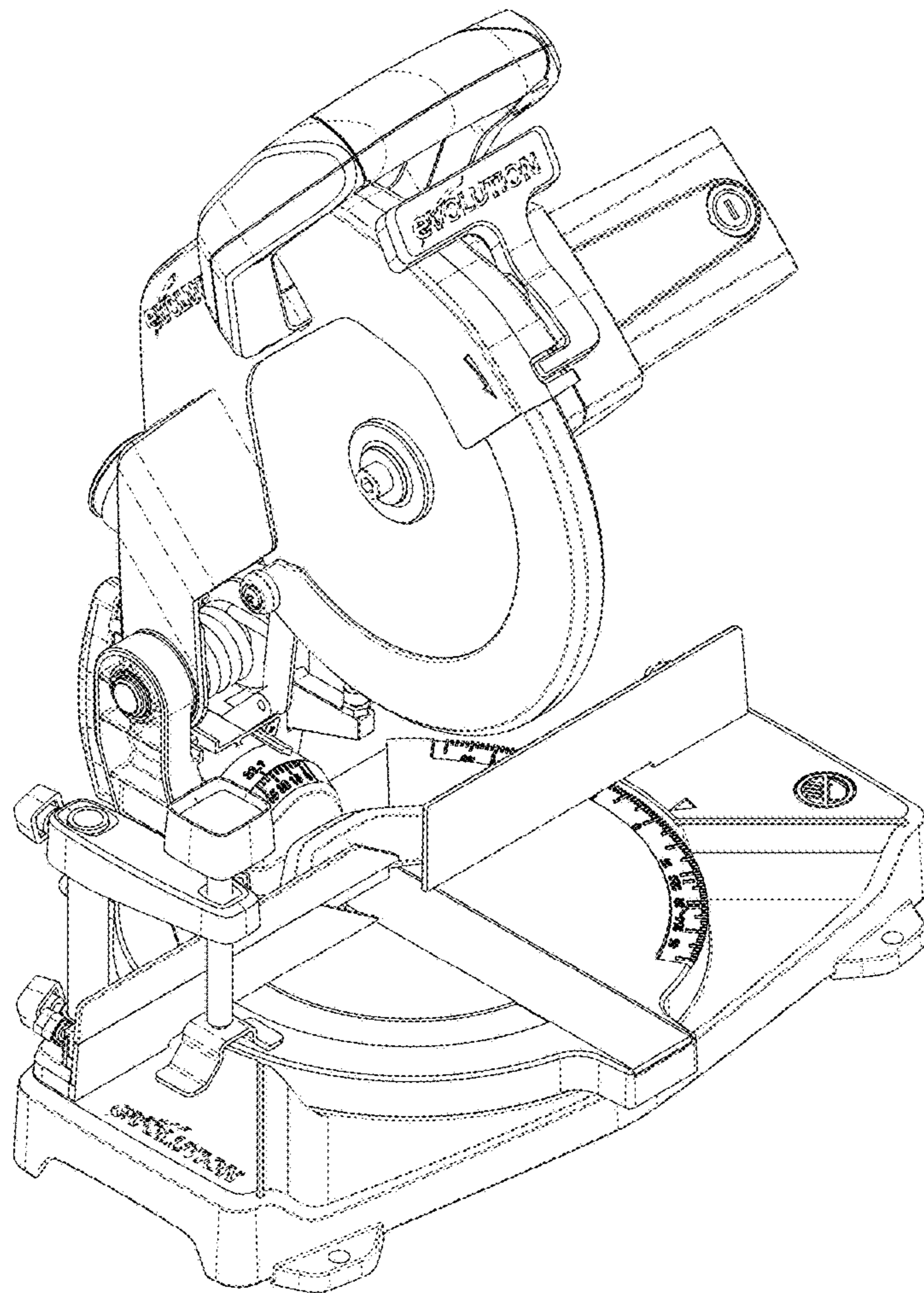
U.S. PATENT DOCUMENTS

D597,569	S *	8/2009	Sasaki .....	D15/133
D608,375	S *	1/2010	Kokawa .....	D15/133
D623,204	S *	9/2010	Weusthof .....	D15/133
D626,156	S *	10/2010	Jebb .....	D15/133
D626,159	S *	10/2010	Jebb .....	D15/133
D649,568	S *	11/2011	Zhou .....	D15/133
D653,268	S *	1/2012	Bindhammer .....	D15/133
D654,102	S *	2/2012	Bindhammer .....	D15/133
D666,639	S *	9/2012	Rees .....	D15/133
D686,645	S *	7/2013	Rees .....	D15/133
D688,714	S *	8/2013	Firth .....	D15/133
9,339,877	B2 *	5/2016	Lin .....	B23D 45/048
2007/0074611	A1 *	4/2007	Hu .....	B23D 45/048
				83/471.2
2009/0235794	A1 *	9/2009	Inai .....	B23D 45/048
				83/397

\* cited by examiner

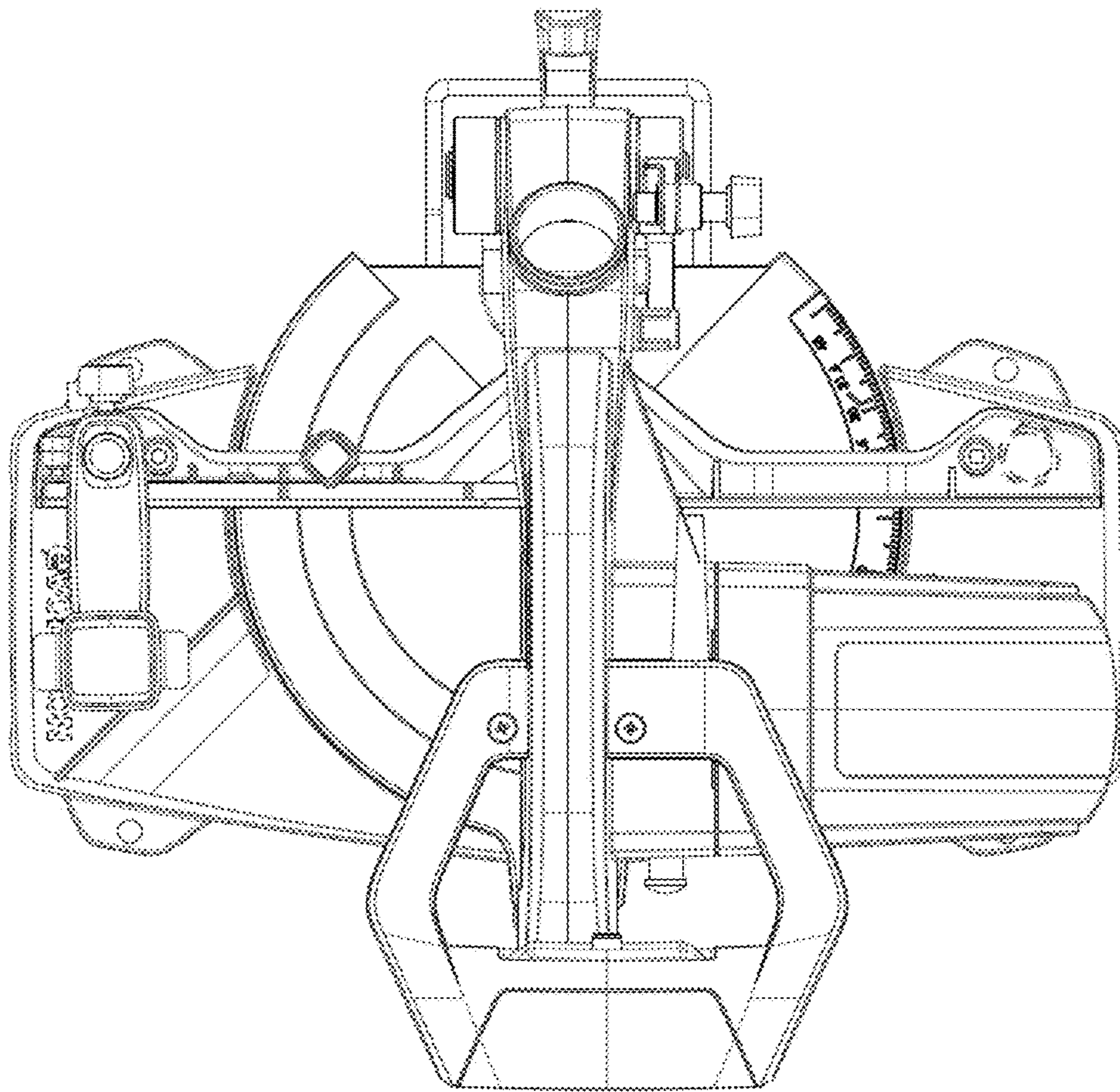


1.1

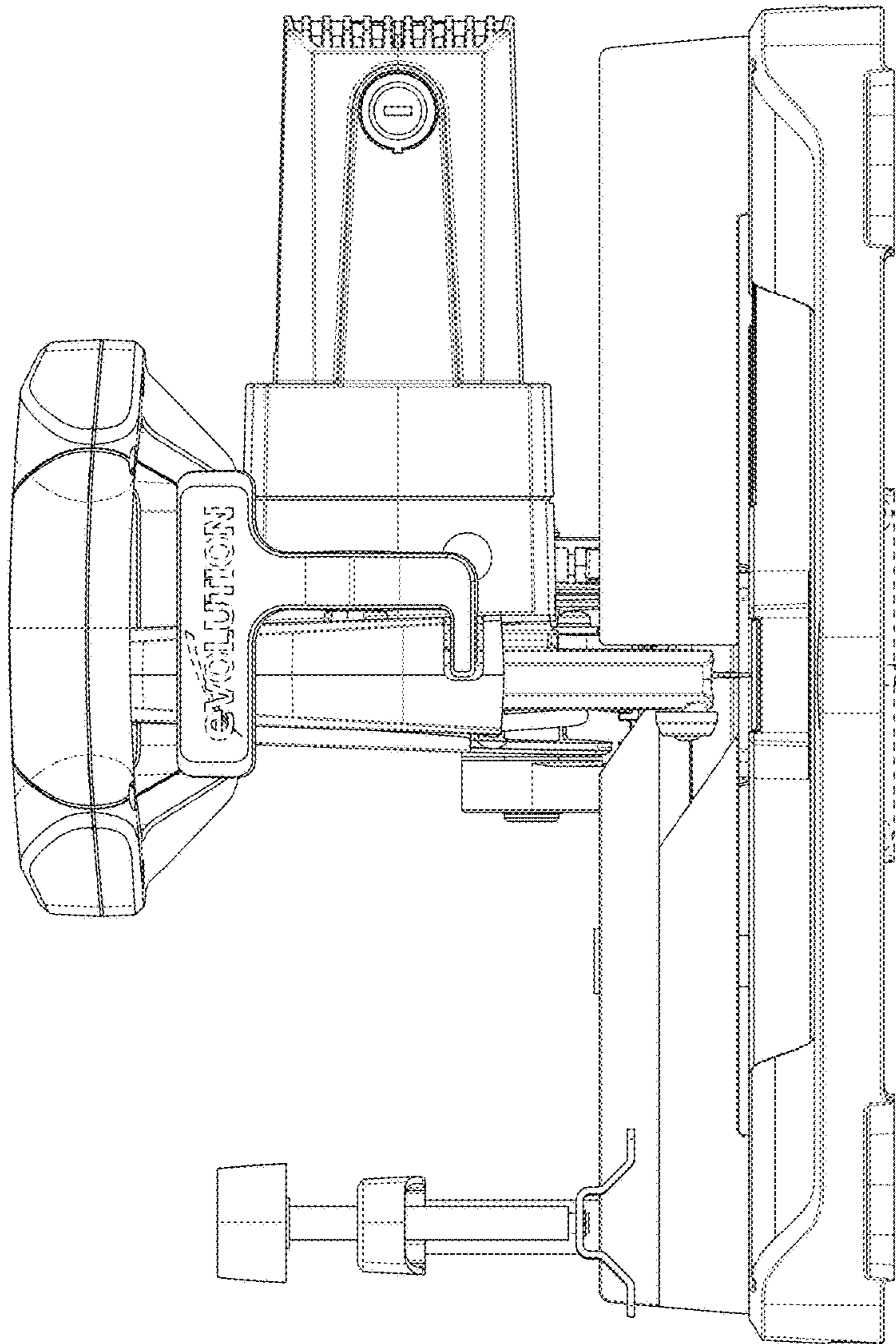


1.2

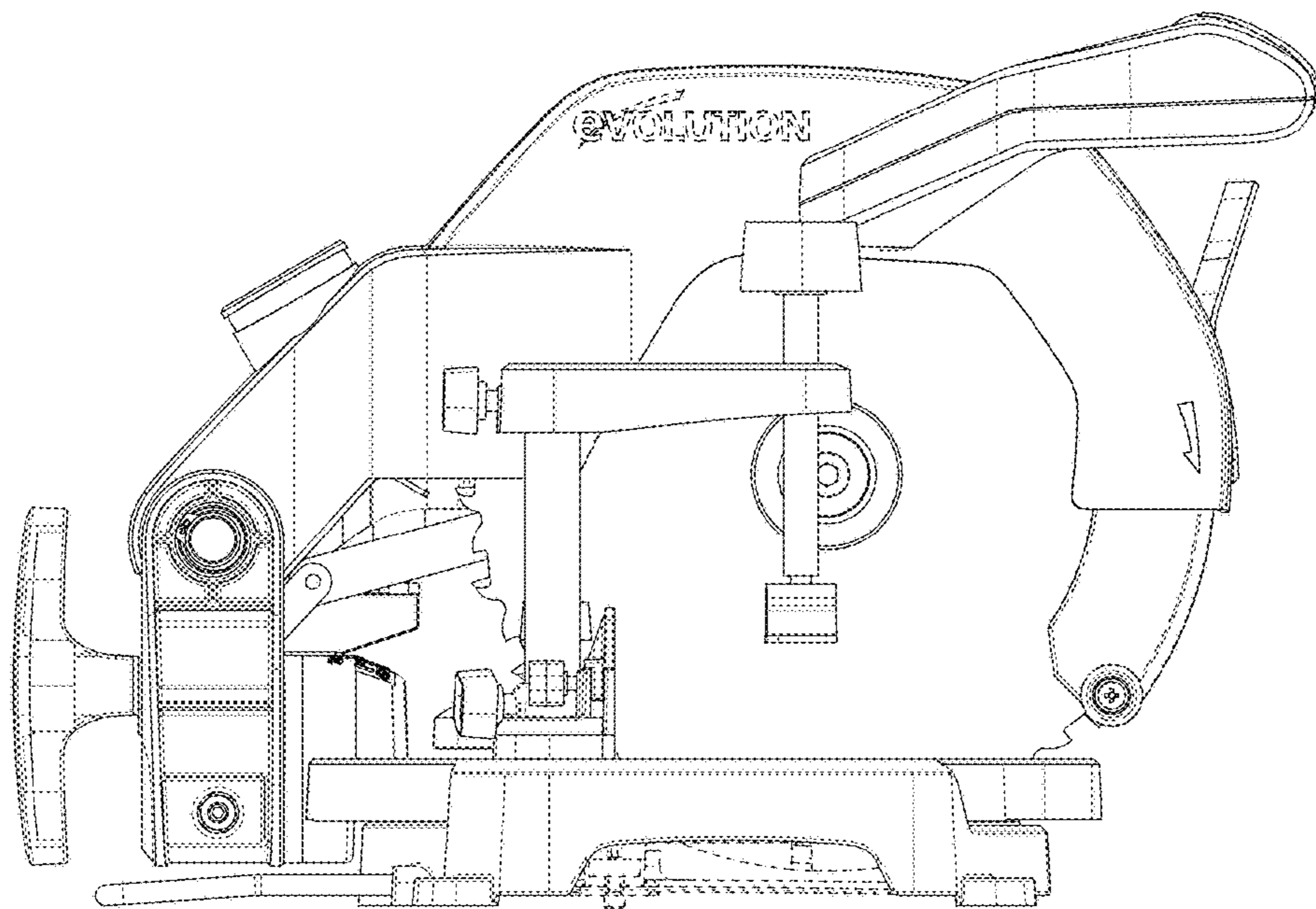




1.3



1.4



1.5