

US00D822725S

(12) **United States Design Patent** (10) **Patent No.:** **US D822,725 S**
Villeneuve et al. (45) **Date of Patent:** **** Jul. 10, 2018**

(54) **PUNCH INSERT**

(71) Applicant: **MATE PRECISION TOOLING, INC., Anoka, MN (US)**

(72) Inventors: **Larry Villeneuve, Zimmerman, MN (US); Darius Teichroew, Crystal, MN (US)**

(73) Assignee: **MATE PRECISION TOOLING, INC., Anoka, MN (US)**

(**) Term: **15 Years**

(21) Appl. No.: **29/550,254**

(22) Filed: **Dec. 31, 2015**

(51) **LOC (11) Cl.** **15-09**

(52) **U.S. Cl.**
USPC **D15/128**

(58) **Field of Classification Search**
USPC D15/128, 138; D19/65, 72
CPC .. A61K 9/1694; A61K 9/2095; A61K 9/1617;
A61K 9/1635; A61K 9/1641; A61K
9/1688; A61K 9/2081; A61K 9/5026;
A61K 31/4422; A61K 31/7032; B30B
11/08; B30B 11/005; B30B 15/0082;
B30B 15/0023; B30B 15/065; B30B
15/281; B30B 15/302; B30B 15/304

See application file for complete search history.

(56) **References Cited**

U.S. PATENT DOCUMENTS

199,715 A	1/1878	Jenkins
1,179,476 A	4/1916	Thomas et al.
1,377,292 A	5/1921	Staron
1,383,414 A	7/1921	Mansell
1,386,259 A	8/1921	Jourdan et al.
1,569,136 A	1/1926	Pardee, Jr.
1,726,012 A	8/1929	Bilz
1,784,911 A	12/1930	Schlitters, Jr. et al.
1,806,694 A	5/1931	Markson

1,910,275 A	5/1933	Alden
1,979,059 A	10/1934	Wallman
2,107,581 A	2/1938	Parsons et al.
2,245,676 A	6/1941	Johnson
2,380,343 A	7/1945	Stellin et al.

(Continued)

FOREIGN PATENT DOCUMENTS

BE	1014961 A3	7/2004
CN	1080607	3/2002

(Continued)

OTHER PUBLICATIONS

Written Opinion of the International Preliminary Examining Authority for International Patent Application No. PCT/US2016/017129, dated Jan. 17, 2017 (6 pages).

(Continued)

Primary Examiner — Rosemary K Tarcza
Assistant Examiner — Nathaniel D. Buckner
(74) *Attorney, Agent, or Firm* — Dorsey & Whitney LLP

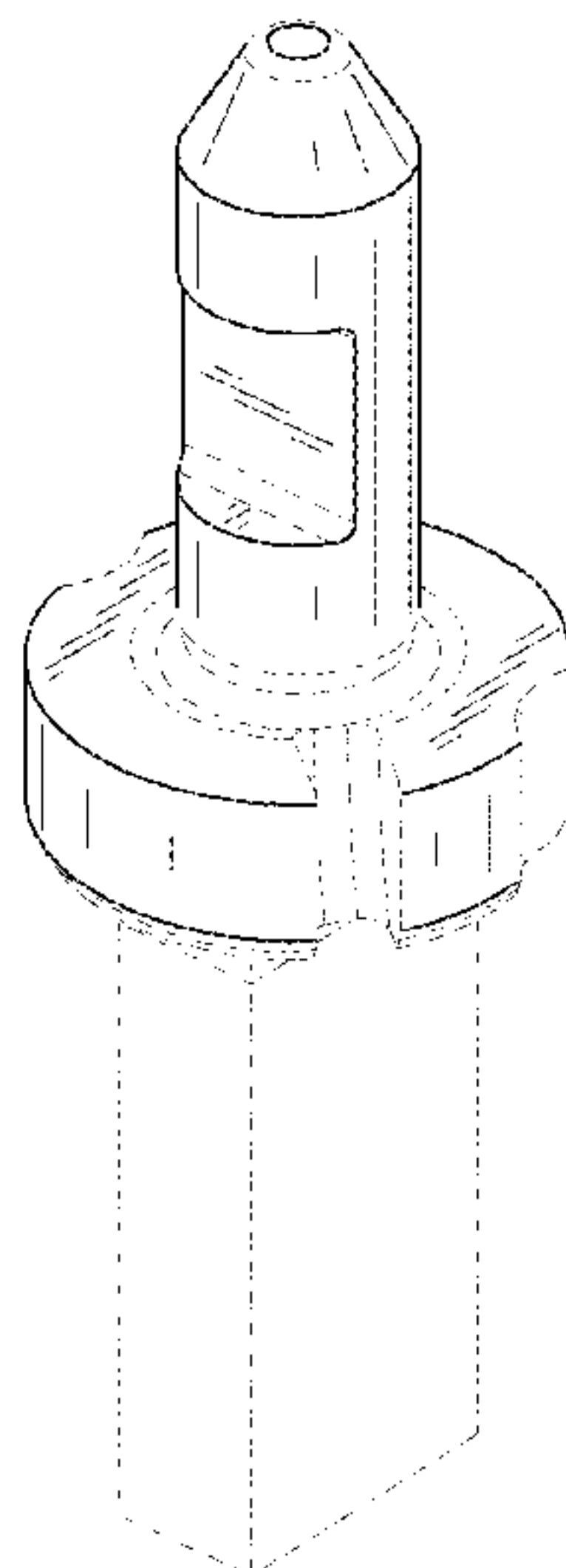
(57) **CLAIM**

We claim the ornamental design for a punch insert, substantially as shown and described.

DESCRIPTION

FIG. 1 is a perspective view of a punch insert showing our new design;
FIG. 2 is a top plan view thereof;
FIG. 3 is a second perspective view thereof;
FIG. 4 is a bottom plan view thereof;
FIG. 5 is a rear elevation view thereof;
FIG. 6 is a left side elevation view thereof;
FIG. 7 is a front elevation view thereof; and,
FIG. 8 is a right side elevation view thereof.
The broken lines in the figures represent portions of the article which form no part of the claimed design.

1 Claim, 4 Drawing Sheets



(56)

References Cited

U.S. PATENT DOCUMENTS

2,420,146 A 5/1947 Otto et al.
 2,448,817 A 9/1948 McArthur
 2,522,440 A 9/1950 Freter
 2,614,781 A 10/1952 Engel
 2,805,866 A 9/1957 Amend
 2,893,291 A 7/1959 Hollis
 2,927,432 A 3/1960 Parry
 2,955,831 A 10/1960 Zandberg et al.
 2,974,967 A 3/1961 Felmet
 3,137,193 A 6/1964 Whistler et al.
 3,289,519 A 12/1966 Piccone
 3,447,455 A 6/1969 Shneider
 3,495,493 A 2/1970 Herb et al.
 3,530,750 A 9/1970 Daniels
 3,548,700 A 12/1970 Herzog et al.
 3,600,999 A 8/1971 Dennis
 3,641,860 A 2/1972 Whistler et al.
 3,735,993 A 5/1973 Seibert
 3,759,130 A 9/1973 Patterson
 3,763,730 A 10/1973 Ahlegian
 4,092,888 A 6/1978 Wilson
 4,146,239 A 3/1979 Martin
 4,174,648 A 11/1979 Wallis
 4,273,015 A 6/1981 Johnson
 4,446,767 A 5/1984 Wilson
 4,487,566 A 12/1984 Barna
 4,503,741 A 3/1985 Hunter
 4,526,077 A 7/1985 Deguvera
 4,718,161 A 1/1988 Pfister et al.
 4,762,043 A 8/1988 Sneed
 4,850,755 A 7/1989 Spencer
 4,862,782 A 9/1989 Ernst
 4,951,375 A 8/1990 Erlenmaier
 4,989,484 A 2/1991 Johnson et al.
 5,020,407 A 6/1991 Brinlee
 5,044,244 A 9/1991 Olson
 5,131,303 A 7/1992 Wilison et al.
 5,146,832 A 9/1992 Wilson et al.
 5,271,303 A 12/1993 Chatham
 5,301,580 A 4/1994 Rosene et al.
 5,329,835 A 7/1994 Timp et al.
 5,647,256 A 7/1997 Schneider
 5,746,104 A 5/1998 Russell et al.
 5,752,424 A 5/1998 Rosene et al.
 5,832,798 A 11/1998 Schneider et al.
 5,839,341 A 11/1998 Johnson et al.
 5,884,546 A 3/1999 Johnson
 5,887,502 A 3/1999 Yamaguchi et al.
 6,047,621 A 4/2000 Dries et al.
 6,082,516 A 7/2000 Willer
 6,142,052 A 11/2000 Endo
 6,196,103 B1 3/2001 Schneider et al.
 6,276,247 B1 8/2001 Helda
 6,334,381 B1 1/2002 Chatham
 6,463,839 B2 10/2002 Ohtsuka et al.
 6,782,787 B2 8/2004 Morehead et al.
 6,895,797 B2 5/2005 Lowry et al.
 6,895,849 B2 5/2005 Rosene et al.
 7,051,635 B2 5/2006 Morehead
 7,069,765 B2 7/2006 Grove et al.
 D526,667 S * 8/2006 Sakamoto D15/128
 7,156,009 B2 1/2007 Iwamoto et al.
 7,159,426 B1 1/2007 Ghiran
 7,168,356 B2 1/2007 Rosene et al.
 7,658,134 B2 2/2010 Morgan et al.
 D629,025 S * 12/2010 Greenleaf D15/128
 7,900,543 B2 3/2011 Ikeda
 7,975,587 B2 7/2011 Schneider
 8,327,745 B2 12/2012 Lee et al.
 8,408,111 B2 4/2013 Johnston
 D690,332 S * 9/2013 Morehead B21D 28/34
 D690,333 S * 9/2013 Morehead D15/128
 D694,788 S * 12/2013 Carper D15/128
 8,707,841 B2 4/2014 Morehead et al.

8,714,065 B2 5/2014 Takahashi et al.
 D719,590 S * 12/2014 Johnston D15/128
 D742,441 S * 11/2015 Johnston D15/128
 D744,554 S 12/2015 Shimota et al.
 D755,863 S * 5/2016 Shimota D15/128
 D763,933 S * 8/2016 Johnston D15/128
 9,409,223 B2 8/2016 Morehead et al.
 D765,746 S * 9/2016 Johnston D15/128
 9,687,994 B2 6/2017 Lee et al.
 9,776,337 B2 10/2017 Lee et al.
 9,855,670 B2 1/2018 Johnston et al.
 2003/0075034 A1 4/2003 Brenneke
 2004/0200333 A1 10/2004 Seeley et al.
 2004/0206223 A1 10/2004 Rosene et al.
 2006/0060046 A1 3/2006 Sugizaki et al.
 2006/0081107 A1 4/2006 Iwamoto et al.
 2007/0034069 A1 2/2007 Endo et al.
 2007/0068352 A1 3/2007 Morgan
 2007/0144232 A1 6/2007 Shimota et al.
 2009/0173204 A1 7/2009 Malvestiti et al.
 2009/0266209 A1 10/2009 Thielges et al.
 2010/0107832 A1 5/2010 Johnston et al.
 2010/0107846 A1 5/2010 Lee et al.
 2013/0139667 A1 6/2013 Lee et al.
 2013/0199352 A1 8/2013 Thielges et al.
 2013/0240615 A1 9/2013 Thomson
 2013/0319200 A1 12/2013 Johnston et al.
 2014/0331842 A1 11/2014 Morehead et al.
 2015/0306651 A1 10/2015 Rogers
 2016/0228936 A1 8/2016 Villeneuve et al.
 2016/0229078 A1 8/2016 Thielges
 2016/0332319 A1 11/2016 Lee et al.
 2016/0339502 A1 11/2016 Morehead et al.
 2017/0291321 A1 10/2017 Lee et al.

FOREIGN PATENT DOCUMENTS

CN 1360537 A 7/2002
 CN 1524020 A 8/2004
 CN 1972767 A 5/2007
 CN 101060947 A 10/2007
 CN 201127968 Y 10/2008
 CN 101791653 A 8/2010
 DE 1777363 A1 12/1972
 DE 19508091 C1 4/1996
 DE 102006005572 A1 6/2007
 EP 2373442 A1 10/2011
 FR 2641486 A1 7/1990
 JP 5459594 U 4/1979
 JP 5555877 A 4/1980
 JP 5555877 Y2 12/1980
 JP 57189625 A 11/1982
 JP 56113039 U 2/1983
 JP 5989626 6/1984
 JP S61-22698 2/1986
 JP 6454923 9/1989
 JP 05192717 A 8/1993
 JP 3037168 U 5/1997
 JP 09174162 A 7/1997
 JP 10244327 A 9/1998
 JP 10244331 A 9/1998
 JP 2001137970 A 5/2001
 JP 2002011531 A 1/2002
 JP 2002282962 A 10/2002
 JP 2004500242 A 1/2004
 JP 2006110605 A 4/2006
 JP 2006150392 A 6/2006
 JP 2007136463 A 6/2007
 JP 2007160384 A 6/2007
 JP 2008183576 A 8/2008
 JP 5555877 B2 7/2017
 WO 2004024361 3/2004
 WO 2004060620 A2 7/2004
 WO 2010053895 A1 5/2010
 WO 2010053897 A1 5/2010
 WO 2013070536 A1 5/2013
 WO 2013116886 8/2013

(56)

References Cited

FOREIGN PATENT DOCUMENTS

WO 2016130351 A1 8/2016
 WO 2016130530 A1 8/2016

OTHER PUBLICATIONS

Written Opinion of the International Preliminary Examining Authority for International Patent Application No. PCT/US2016/015940, dated Jan. 17, 2017 (7 pages).

Applicant Interview Summary and Response to Final Office Action for U.S. Appl. No. 15/204,248, dated Apr. 17, 2017 (9 pages).

Applicant Interview Summary and Response to Non-Final Office Action for U.S. Appl. No. 13/708,318, filed Jul. 28, 2017 (16 pages).

Applicant-Initiated Interview Summary for U.S. Appl. No. 13/708,318, dated Jul. 21, 2017 (3 pages).

Applicant Interview Summary and Response to Final Office Action for U.S. Appl. No. 15/204,248, filed Apr. 21, 2017 (17 pages).

Final Office Action for U.S. Appl. No. 15/204,248, dated Mar. 24, 2017 (9 pages).

International Preliminary Report on Patentability for International Patent Application No. PCT/US2012/063505, dated May 13, 2014 (7 pages).

International Search Report and Written Opinion of the International Searching Authority for International Patent Application No. PCT/US2009/063058, dated Feb. 17, 2010 (10 pages).

International Search Report and Written Opinion of the International Searching Authority for International Patent Application No. PCT/US2009/063062, dated Feb. 17, 2010 (11 pages).

International Search Report and Written Opinion of the International Searching Authority for International Patent Application No. PCT/US2012/063505, dated Jan. 4, 2013 (11 pages).

Non-Final Office Action for U.S. Appl. No. 13/708,318, dated Mar. 31, 2017 (10 pages).

Non-Final Office Action for U.S. Appl. No. 15/204,248, dated Nov. 23, 2016 (11 pages).

Non-Final Office Action for U.S. Appl. No. 15/631,435, dated Jul. 13, 2017 (9 pages).

Notice of Allowance for U.S. Appl. No. 13/708,318, dated Aug. 21, 2017 (8 pages).

Notice of Allowance for U.S. Appl. No. 15/204,248, dated May 12, 2017 (8 pages).

Response to Non-Final Office Action for U.S. Appl. No. 15/204,248, filed Dec. 16, 2016 (15 pages).

Complaint and Jury Demand for Court File No. 17-cv-04608-JRT-BRT, filed by Plaintiff on Oct. 10, 2017 (143 pages).

Defendant Mate Precision Tooling, Inc.'s Answer, Counterclaim, and Demand for Jury Trial for Court File No. 17-cv-04608-JRT-BRT, filed by Defendant on Nov. 22, 2017 (45 pages).

Rule 26(f) Report for Court File No. 17-cv-04608-JRT-BRT, filed jointly by Plaintiff and Defendant on Dec. 1, 2017 (17 pages).

Plaintiff Wilson Tool International Inc.'s Partial Motion to Dismiss Inequitable Conduct Counterclaim for Court File No. 17-cv-04608-JRT-BRT, filed by Plaintiff on Dec. 22, 2017 (4 pages).

Memorandum in Support of Plaintiff Wilson Tool International Inc.'s Partial Motion to Dismiss the Counterclaim for Court File No. 17-cv-04608-JRT-BRT, filed by Plaintiff on Dec. 22, 2017 (26 pages).

Declaration of Anne Rondoni Tavernier in Support of Plaintiff's Motion to Dismiss Inequitable Conduct Counterclaim for Court File No. 17-cv-04608-JRT-BRT, filed by Plaintiff on Dec. 22, 2017 (124 pages).

Mate Precision Tooling, Inc.'s Memorandum Opposing Wilson Tool International Inc.'s Partial Motion to Dismiss Counterclaim for Court File No. 17-cv-04608-JRT-BRT, filed by Defendant on Jan. 12, 2018 (42 pages).

Reply Memorandum in Support of Plaintiff Wilson Tool's Partial Motion to Dismiss the Counterclaim for Court File No. 17-cv-04608-JRT-BRT, filed Jan. 26, 2018 (21 pages).

* cited by examiner

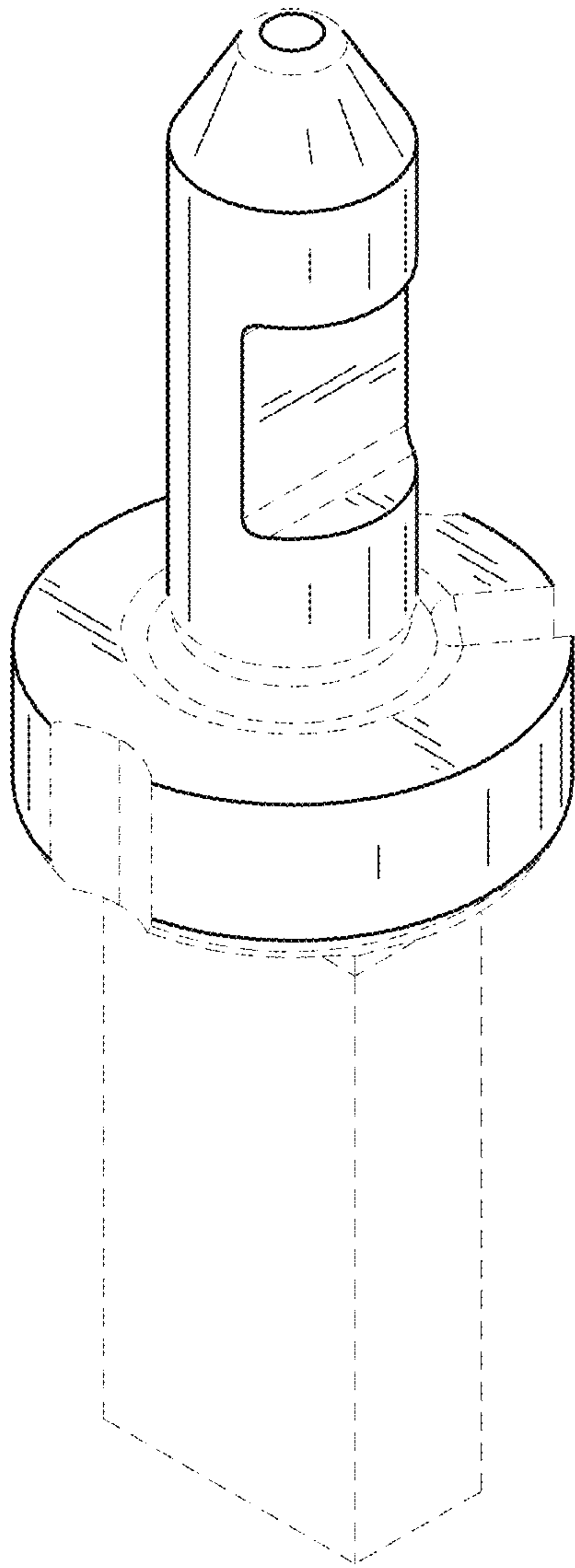


FIG. 1

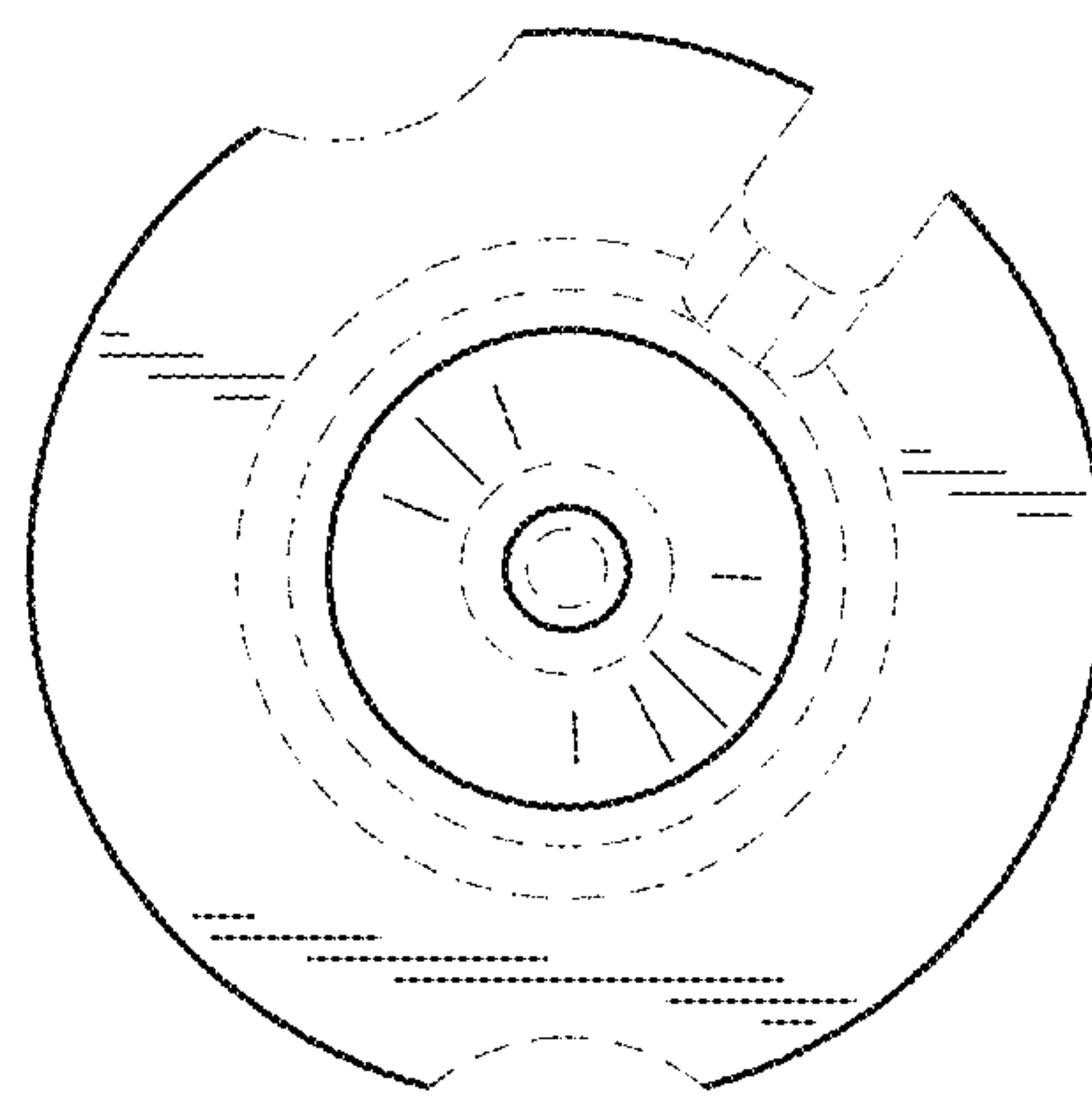


FIG. 2

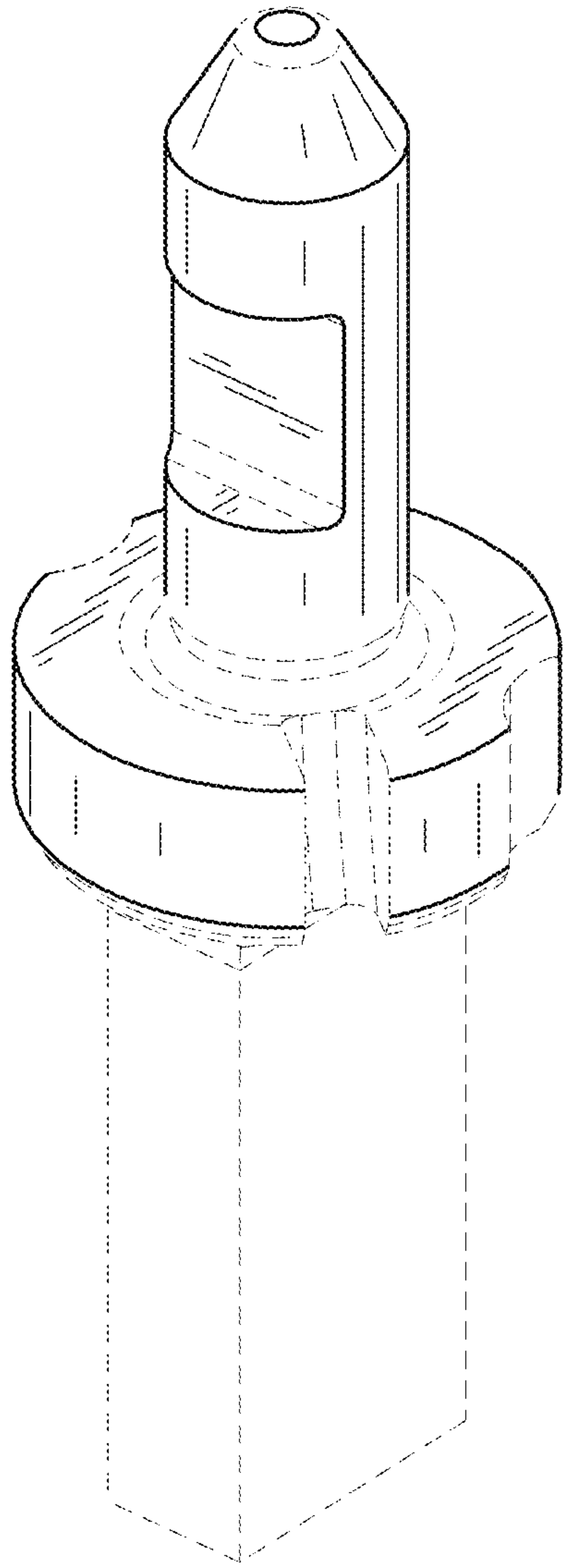


FIG. 3

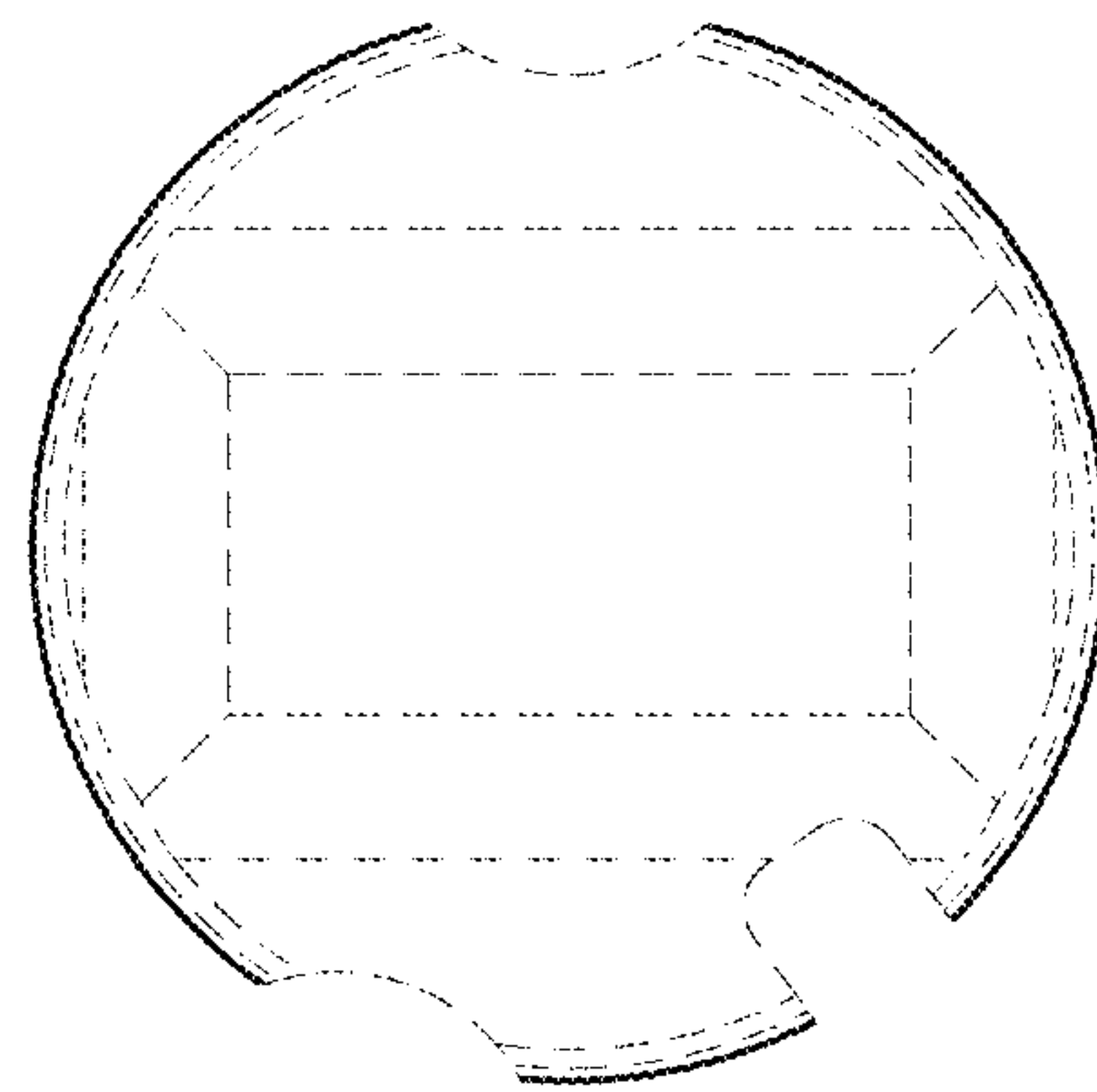


FIG. 4

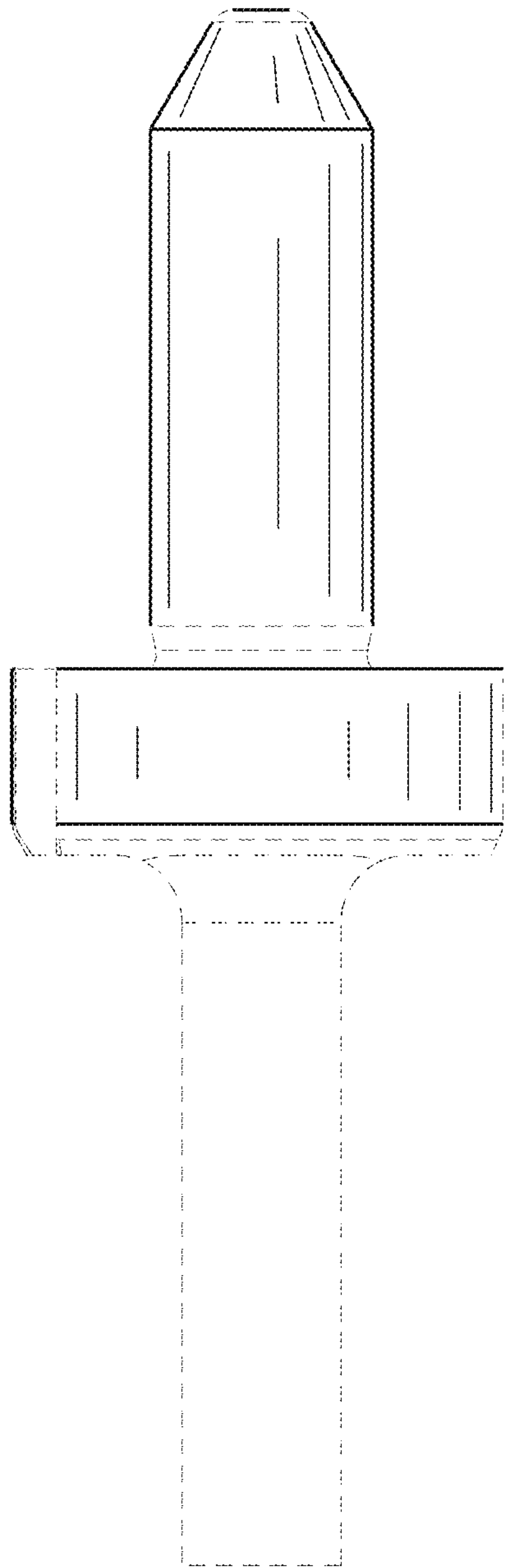


FIG. 5

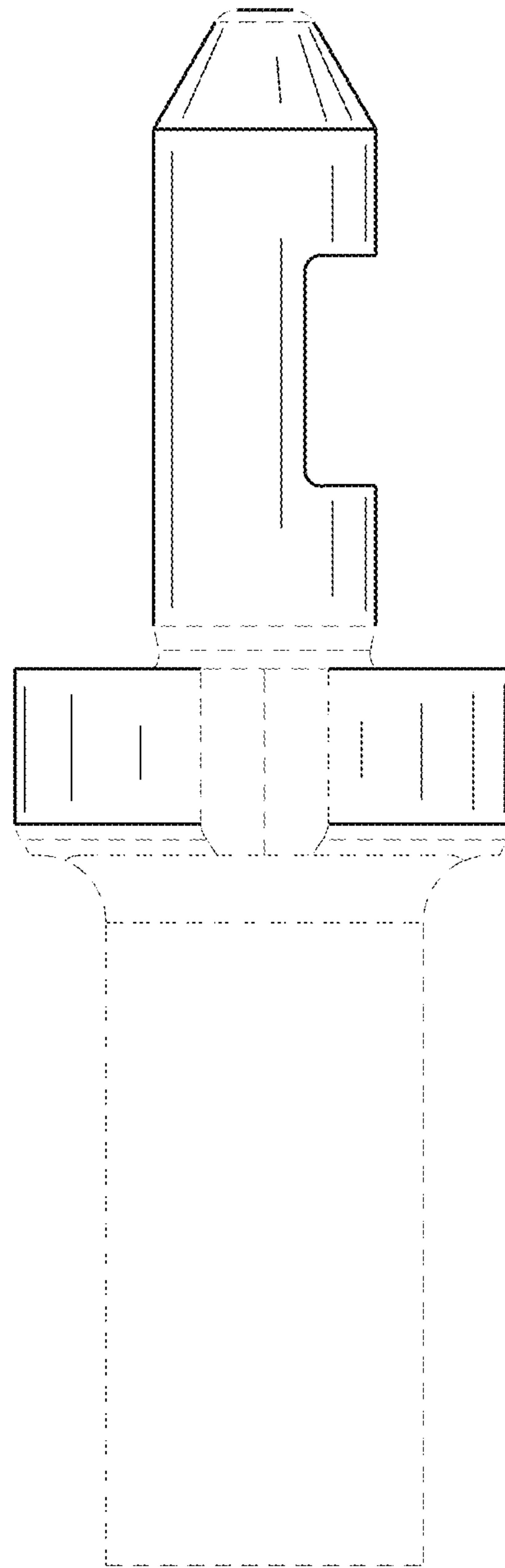


FIG. 6

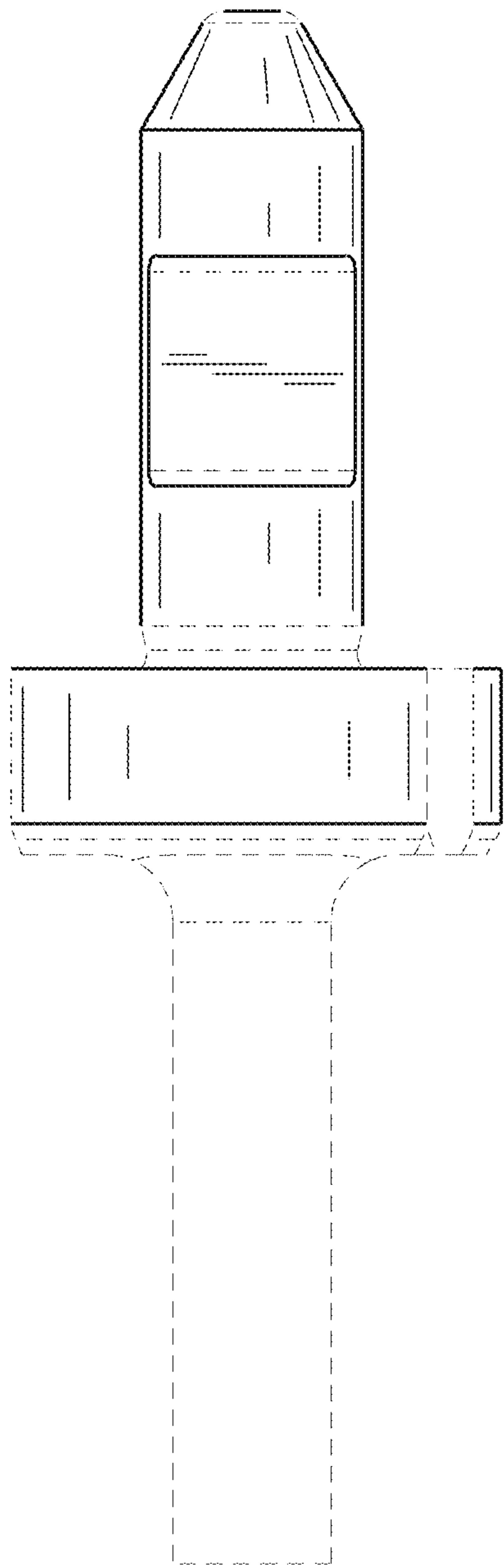


FIG. 7

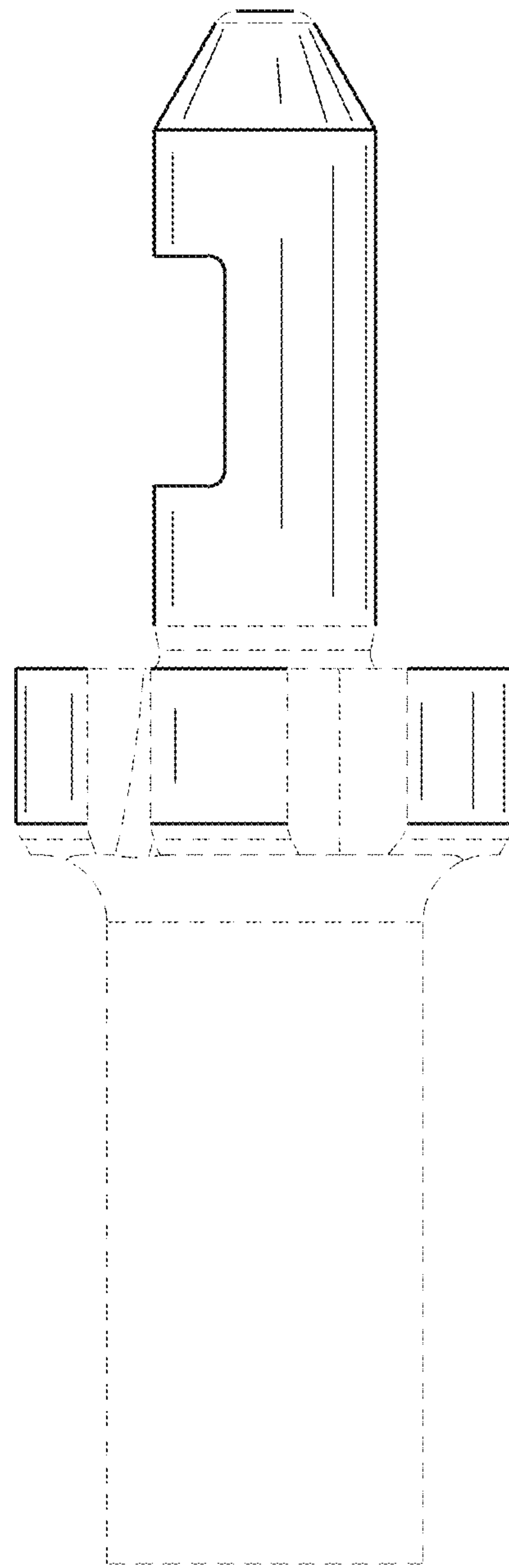


FIG. 8