



US00D822723S

(12) **United States Design Patent**  
**Onrat**

(10) **Patent No.:** **US D822,723 S**

(45) **Date of Patent:** **\*\* Jul. 10, 2018**

(54) **REFRIGERATOR DRAWER**

(71) Applicant: **Arcelik Anonim Sirketi**, Istanbul (TR)

(72) Inventor: **Onur Onrat**, Istanbul (TR)

(73) Assignee: **Arçelik Anonim Şirketi**, Istanbul (TR)

(\*\*) Term: **15 Years**

(21) Appl. No.: **29/556,858**

(22) Filed: **Mar. 3, 2016**

(30) **Foreign Application Priority Data**

Sep. 3, 2015 (EM) ..... 002765271

(51) **LOC (11) Cl.** ..... **15-07**

(52) **U.S. Cl.**  
USPC ..... **D15/89**

(58) **Field of Classification Search**  
USPC ..... D15/79-91  
CPC .. F25C 5/182; F25C 2400/08; F25C 2400/10;  
F25C 2400/14; F25C 2700/04; F25C  
5/005; F25C 5/007; F25C 5/046; F25C  
5/185  
See application file for complete search history.

(56) **References Cited**

**U.S. PATENT DOCUMENTS**

D378,821 S \* 4/1997 Westcott ..... D15/89  
D607,021 S \* 12/2009 Baacke ..... D15/89  
D612,872 S \* 3/2010 Baacke ..... D15/89  
D694,289 S \* 11/2013 Hottmann ..... D15/89

D694,291 S \* 11/2013 Hottmann ..... D15/89  
D707,267 S \* 6/2014 Choi ..... D15/89  
D710,406 S \* 8/2014 Seo ..... D15/89  
D714,840 S \* 10/2014 Yang ..... D15/89  
D723,593 S \* 3/2015 Ryu ..... D15/89  
D733,773 S \* 7/2015 Lee ..... D15/89  
D734,784 S \* 7/2015 Kim ..... D15/89  
D786,949 S \* 5/2017 Onrat ..... D15/89  
D788,191 S \* 5/2017 Kim ..... D15/89

\* cited by examiner

*Primary Examiner* — Ian Simmons

*Assistant Examiner* — Khawaja Anwar

(74) *Attorney, Agent, or Firm* — Fox Rothschild LLP

(57) **CLAIM**

The ornamental designs for a refrigerator drawer, as shown and described.

**DESCRIPTION**

FIG. 1 is a perspective view of a refrigerator drawer according to a first embodiment of the present invention.

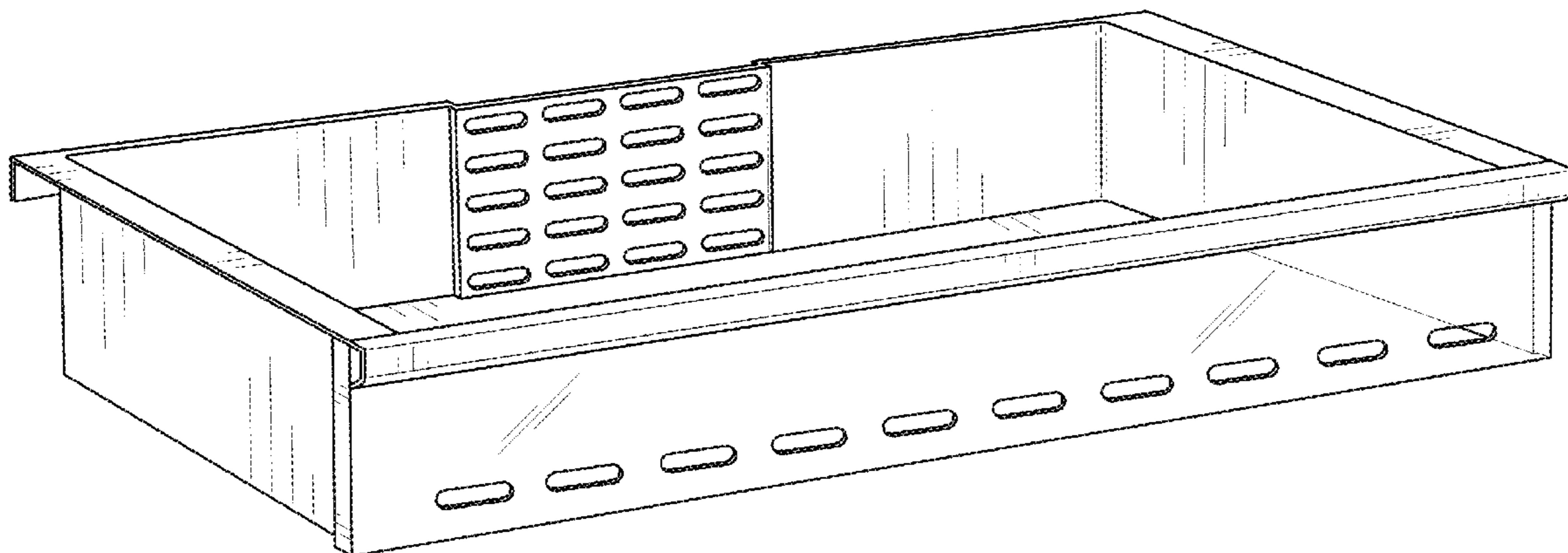
FIG. 2 is a front elevation view of the refrigerator drawer of FIG. 1.

FIG. 3 is a rear elevation view of the refrigerator drawer of FIG. 1.

FIG. 4 is a left side elevation view of the refrigerator drawer of FIG. 1, the right side view being a mirror image thereof; and,

FIG. 5 is a top plan view of the refrigerator drawer of FIG. 1, the bottom view is disclaimed.

**1 Claim, 5 Drawing Sheets**



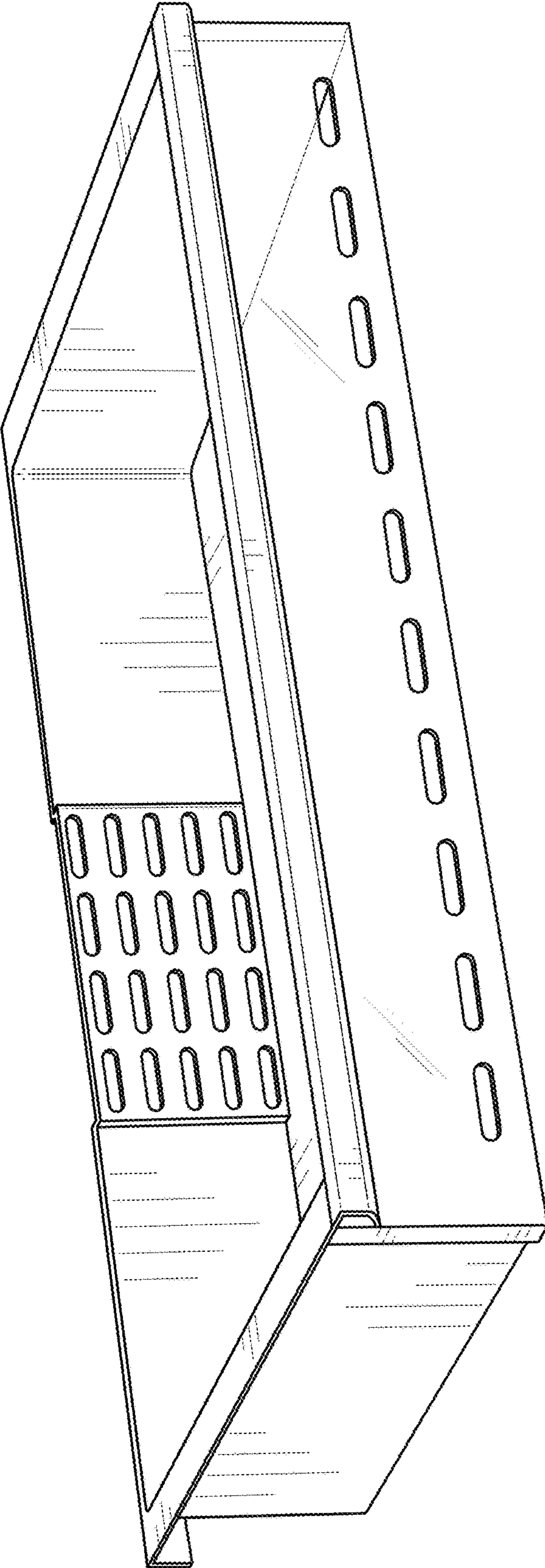


FIG. 1

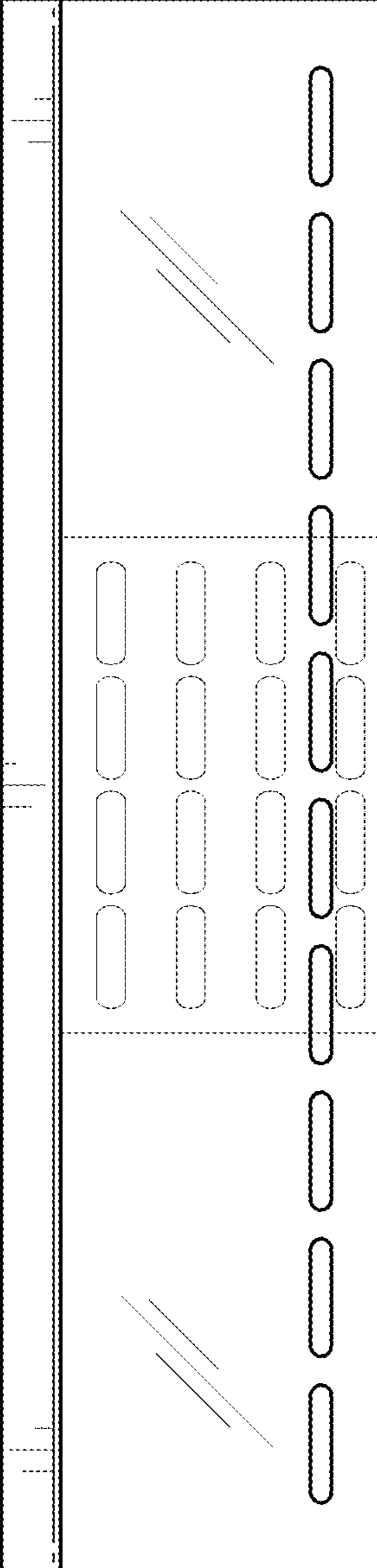


FIG. 2

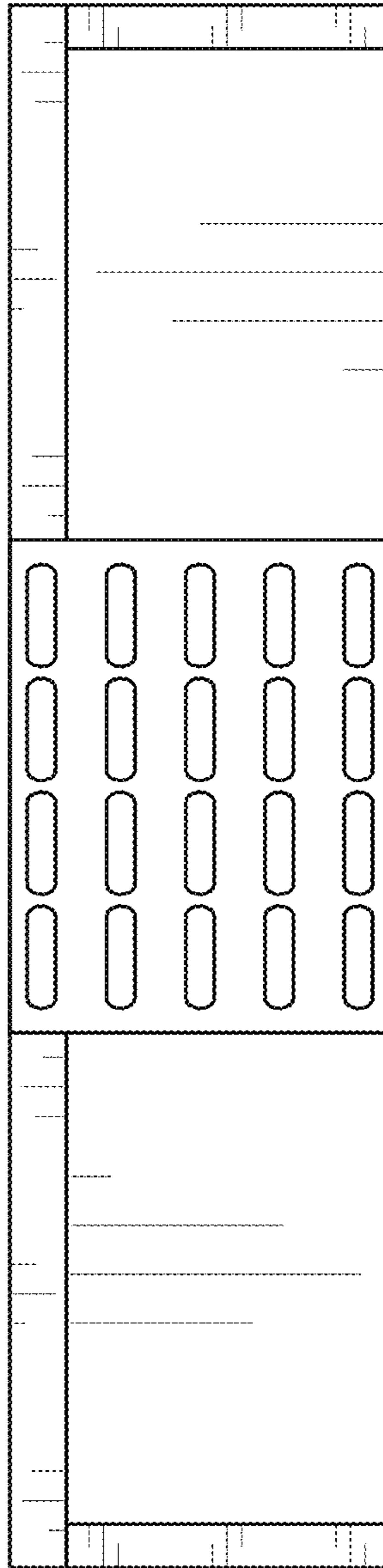


FIG. 3

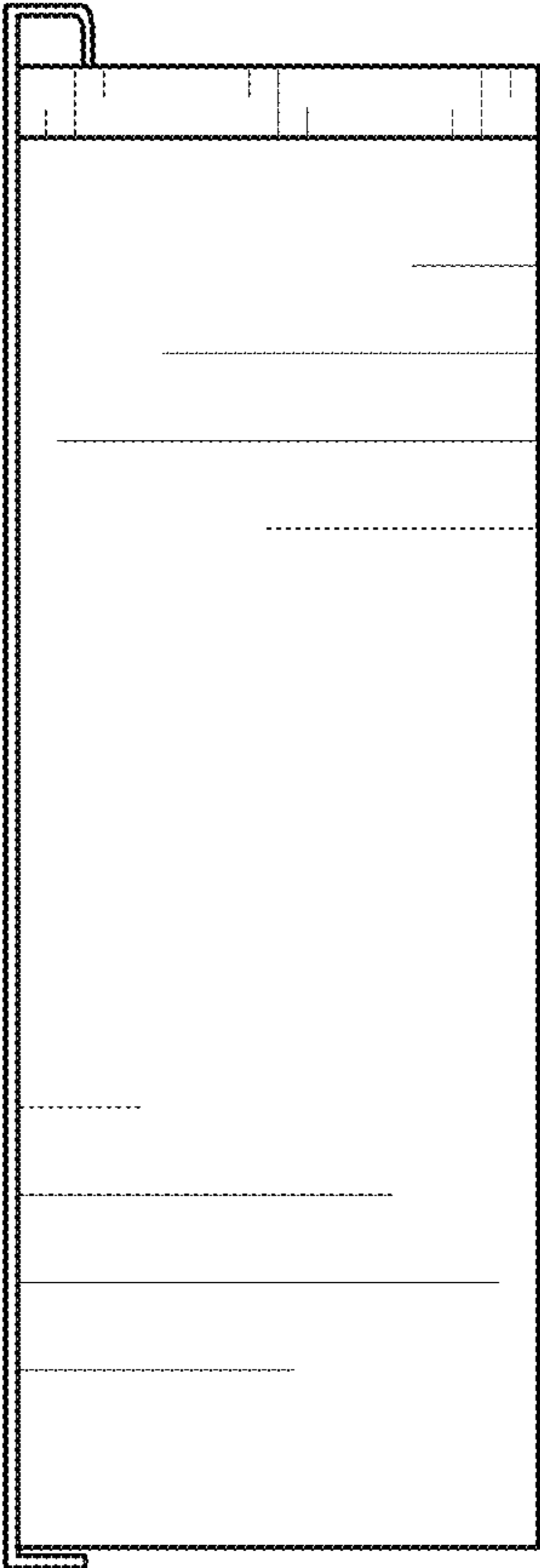


FIG. 4

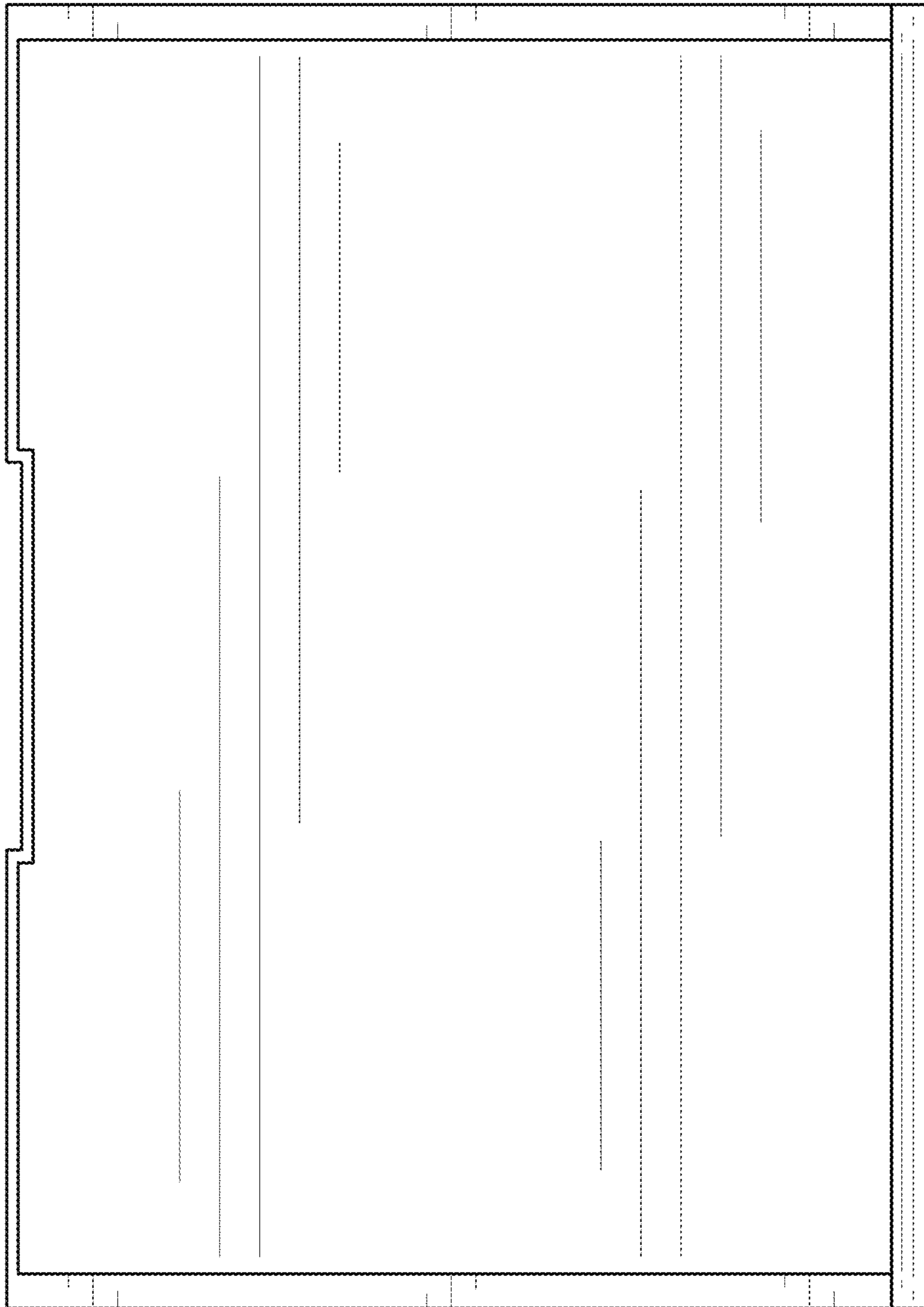


FIG. 5