



US00D822721S

(12) **United States Design Patent**
Tschopp

(10) **Patent No.:** **US D822,721 S**
(45) **Date of Patent:** **** Jul. 10, 2018**

(54) **CONTAINER**

D749,653 S * 2/2016 Carnes D15/89
D750,140 S * 2/2016 Cross D15/81
D792,486 S * 7/2017 Li D15/81

(71) Applicant: **Black & Decker Inc.**, New Britain, CT
(US)

* cited by examiner

(72) Inventor: **Tylan A. Tschopp**, Baltimore, MD (US)

Primary Examiner — Ian Simmons

(73) Assignee: **BLACK & DECKER INC.**, New
Britain, CT (US)

Assistant Examiner — Khawaja Anwar

(74) *Attorney, Agent, or Firm* — Adan Ayala

(**) Term: **15 Years**

(57) **CLAIM**

(21) Appl. No.: **29/586,837**

The ornamental design for a container, as shown and described.

(22) Filed: **Dec. 7, 2016**

(51) **LOC (11) Cl.** **15-07**

(52) **U.S. Cl.**
USPC **D15/79**

(58) **Field of Classification Search**
USPC D15/79-91
CPC .. F25C 5/002; F25C 5/005; F25C 5/12; F25C
1/04; F25C 2500/02; F25C 2500/08;
F25C 2700/02; F25C 5/02; F25C 5/046;
F25C 5/187

See application file for complete search history.

DESCRIPTION

FIG. 1 is a front perspective view of a container according to the invention.

FIG. 2 is a front view of the container of FIG. 1.

FIG. 3 is a rear view of the container of FIG. 1.

FIG. 4 is a left side view of the container of FIG. 1.

FIG. 5 is a right side view of the container of FIG. 1.

FIG. 6 is a top plan view of the container of FIG. 1.

FIG. 7 is a bottom plan view of the container of FIG. 1; and,

FIG. 8 is a rear perspective view of the container of FIG. 1.

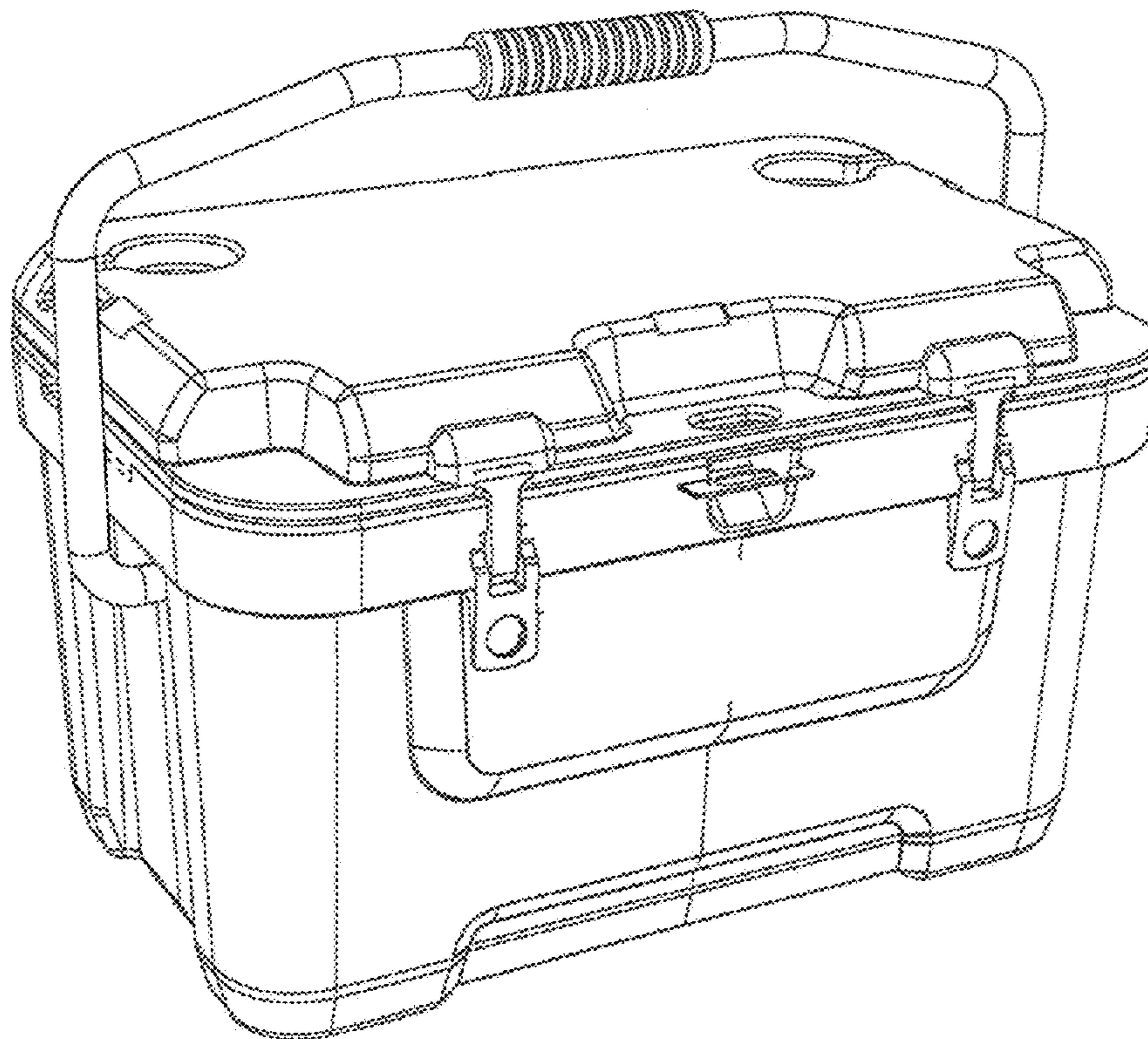
The broken lines shown in the drawings represent unclaimed portions of the container and form no part of the claimed design.

(56) **References Cited**

U.S. PATENT DOCUMENTS

D548,249 S * 8/2007 Okamoto D15/84
D558,239 S * 12/2007 Takemoto D15/79

1 Claim, 8 Drawing Sheets



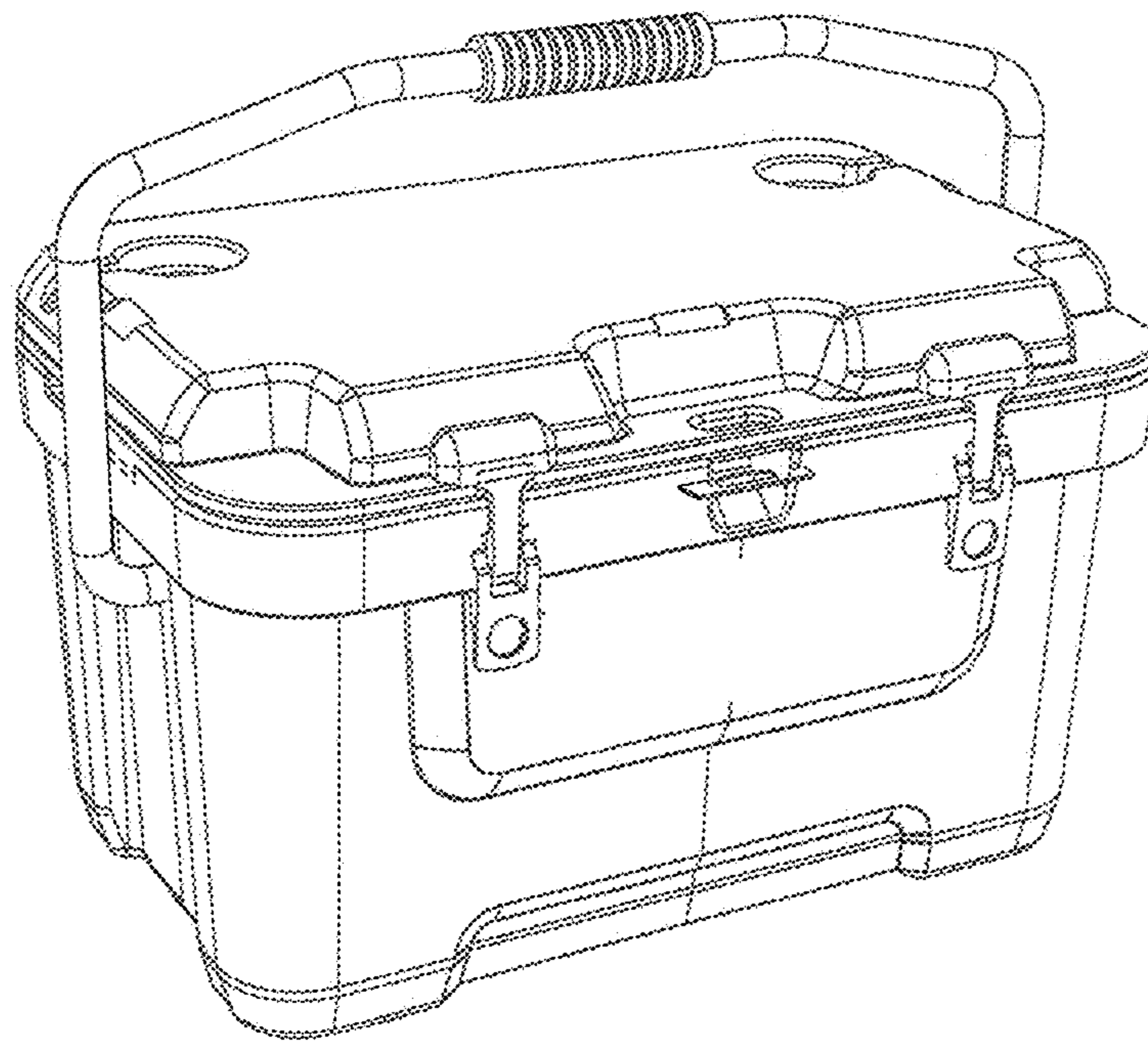


FIG. 1

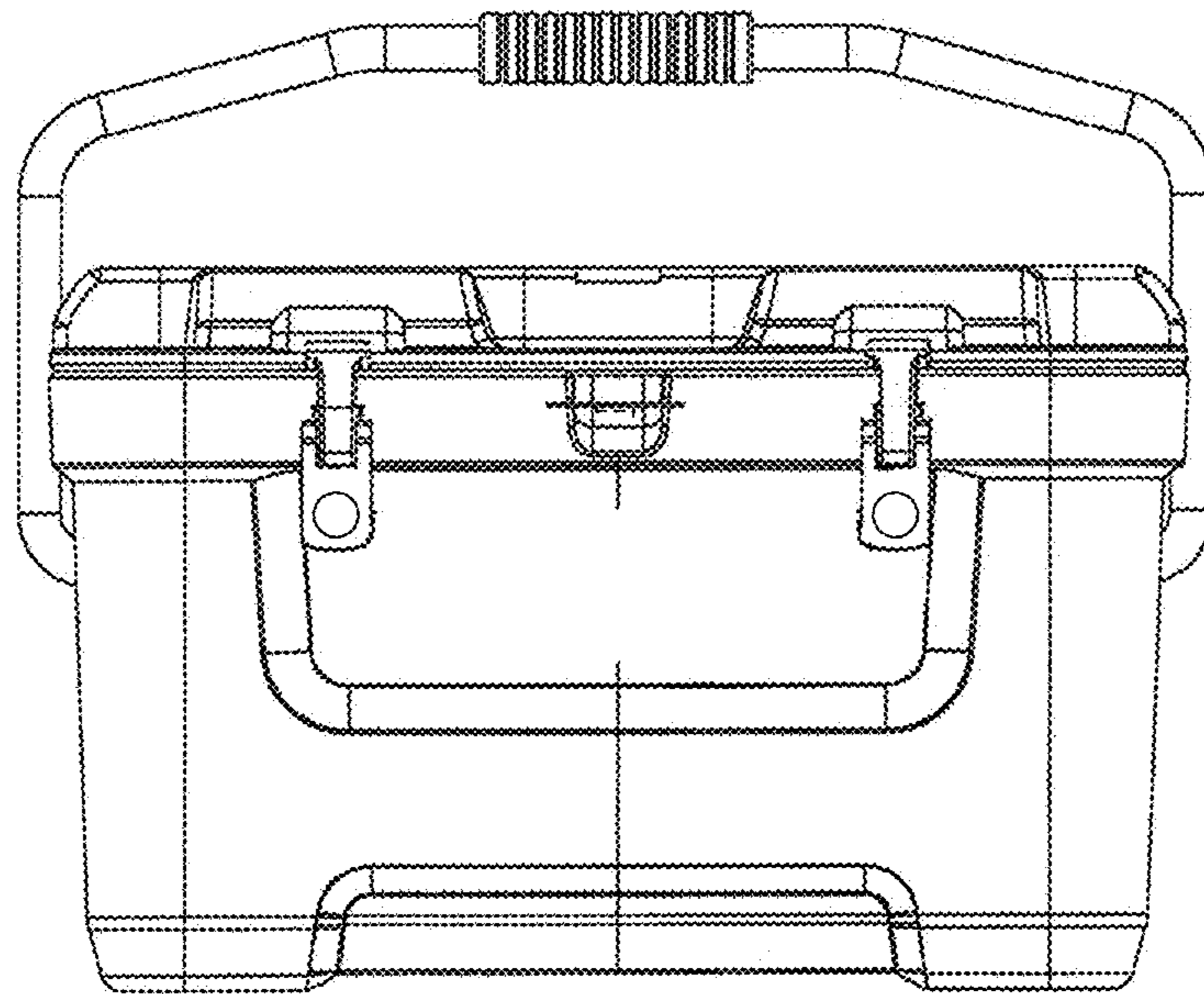


FIG. 2

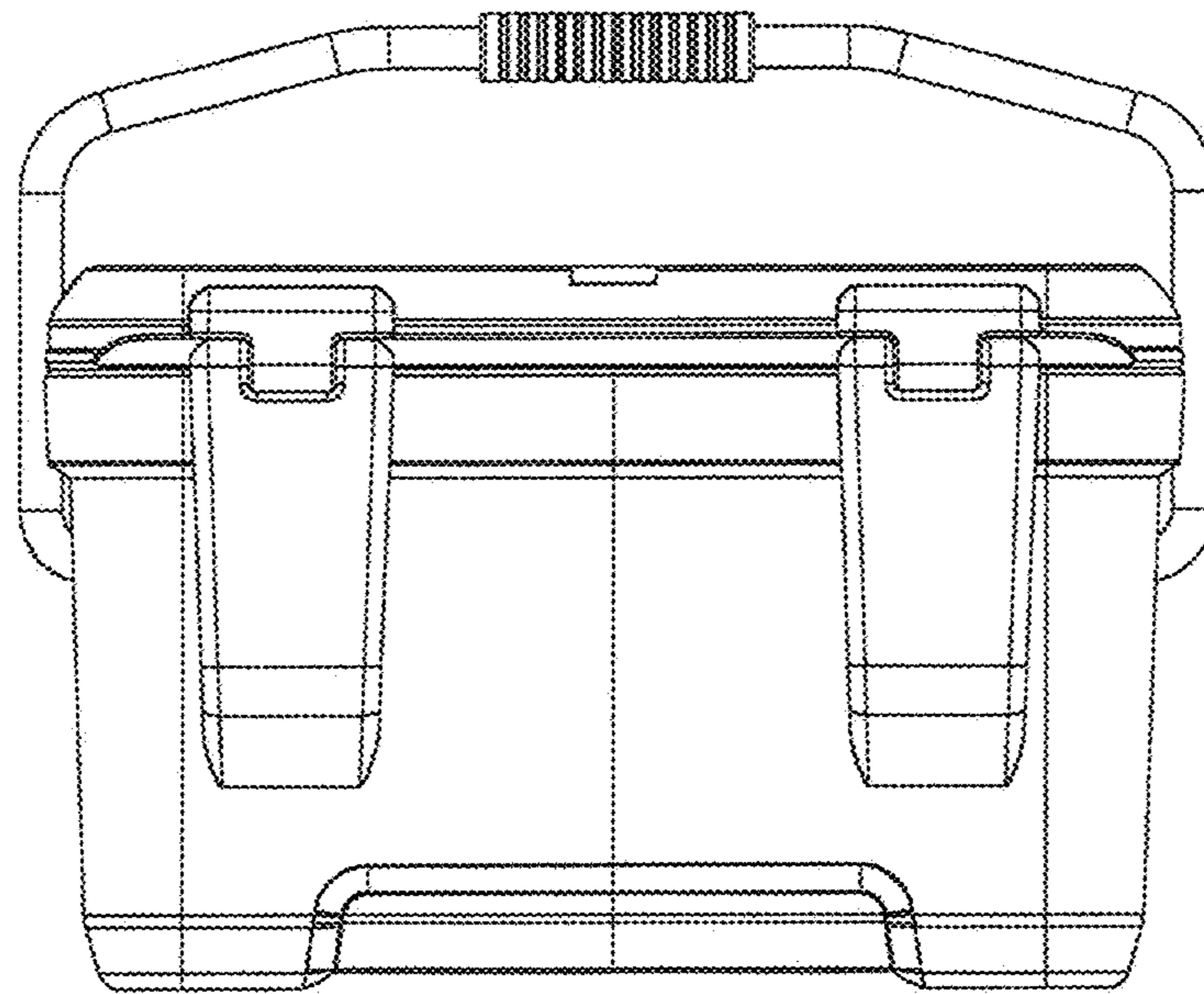


FIG. 3

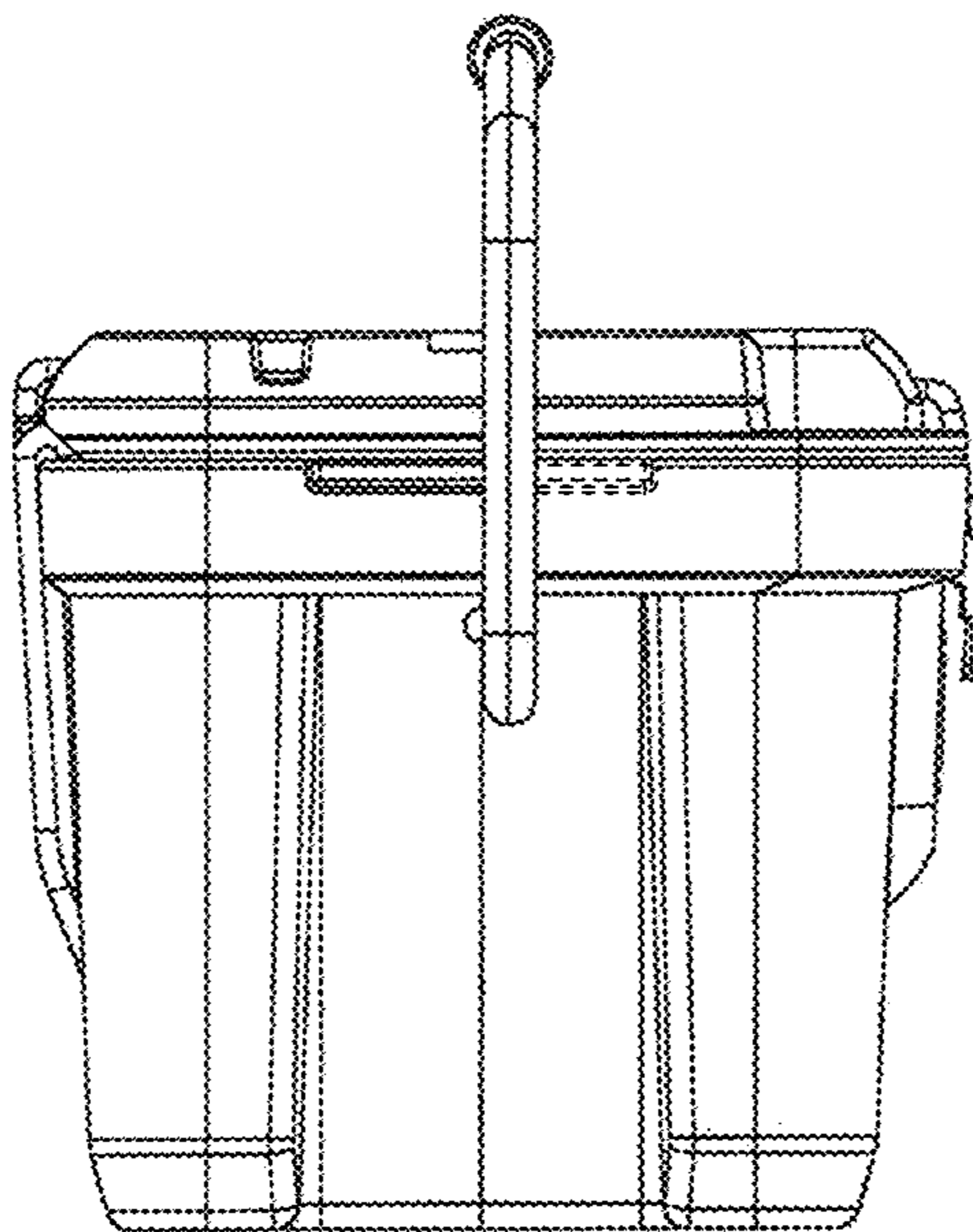


FIG. 4

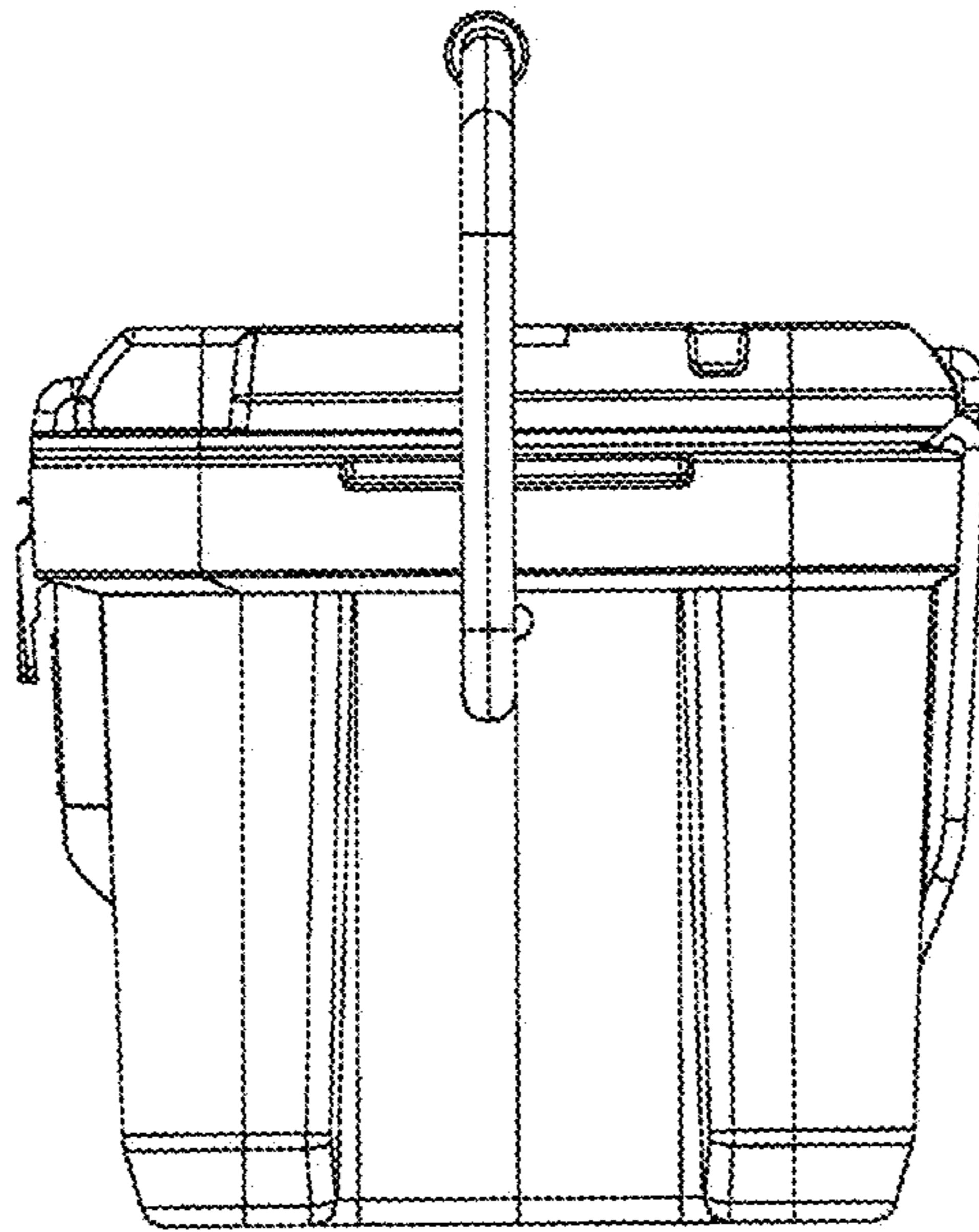


FIG. 5

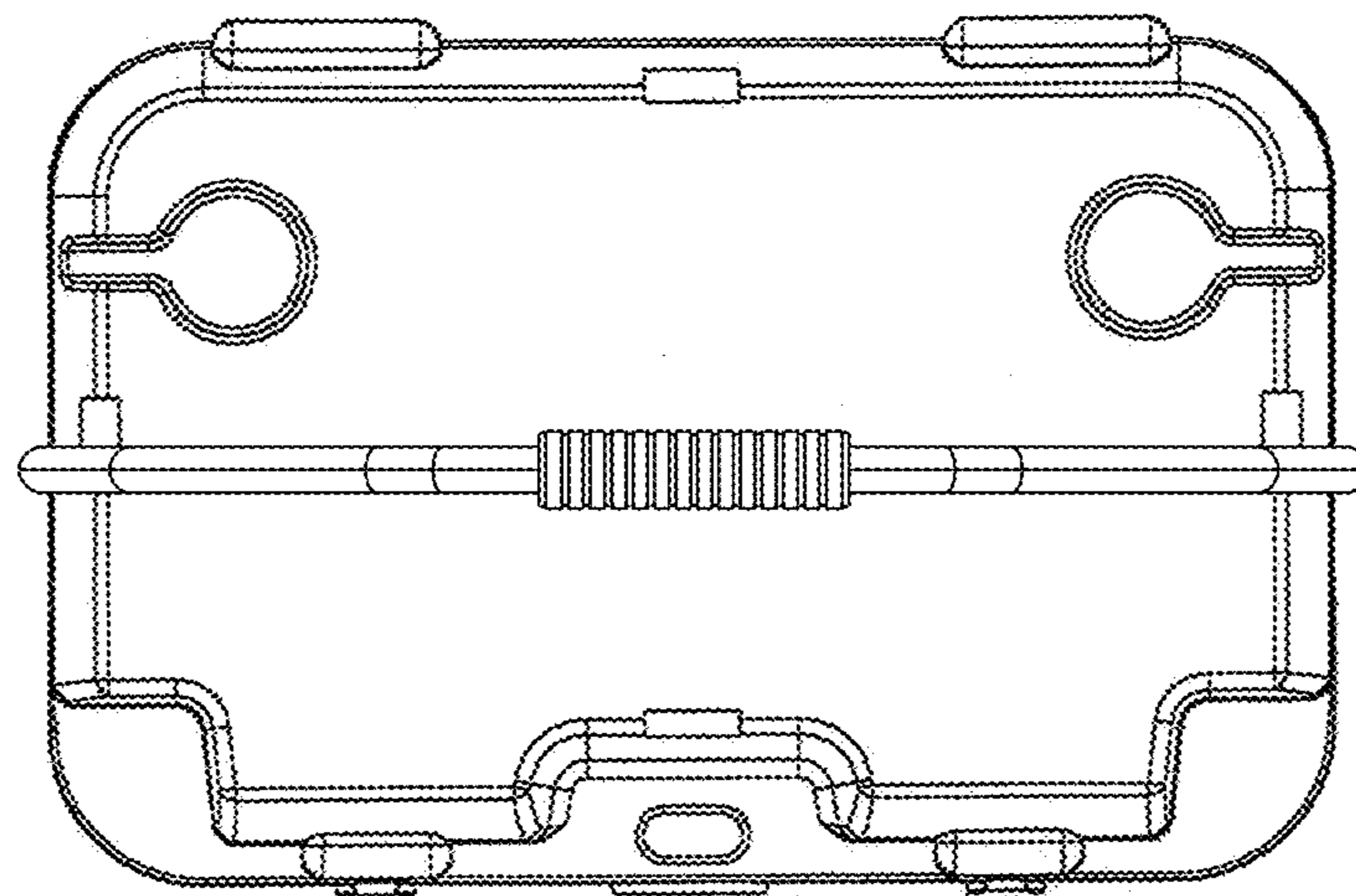


FIG. 6

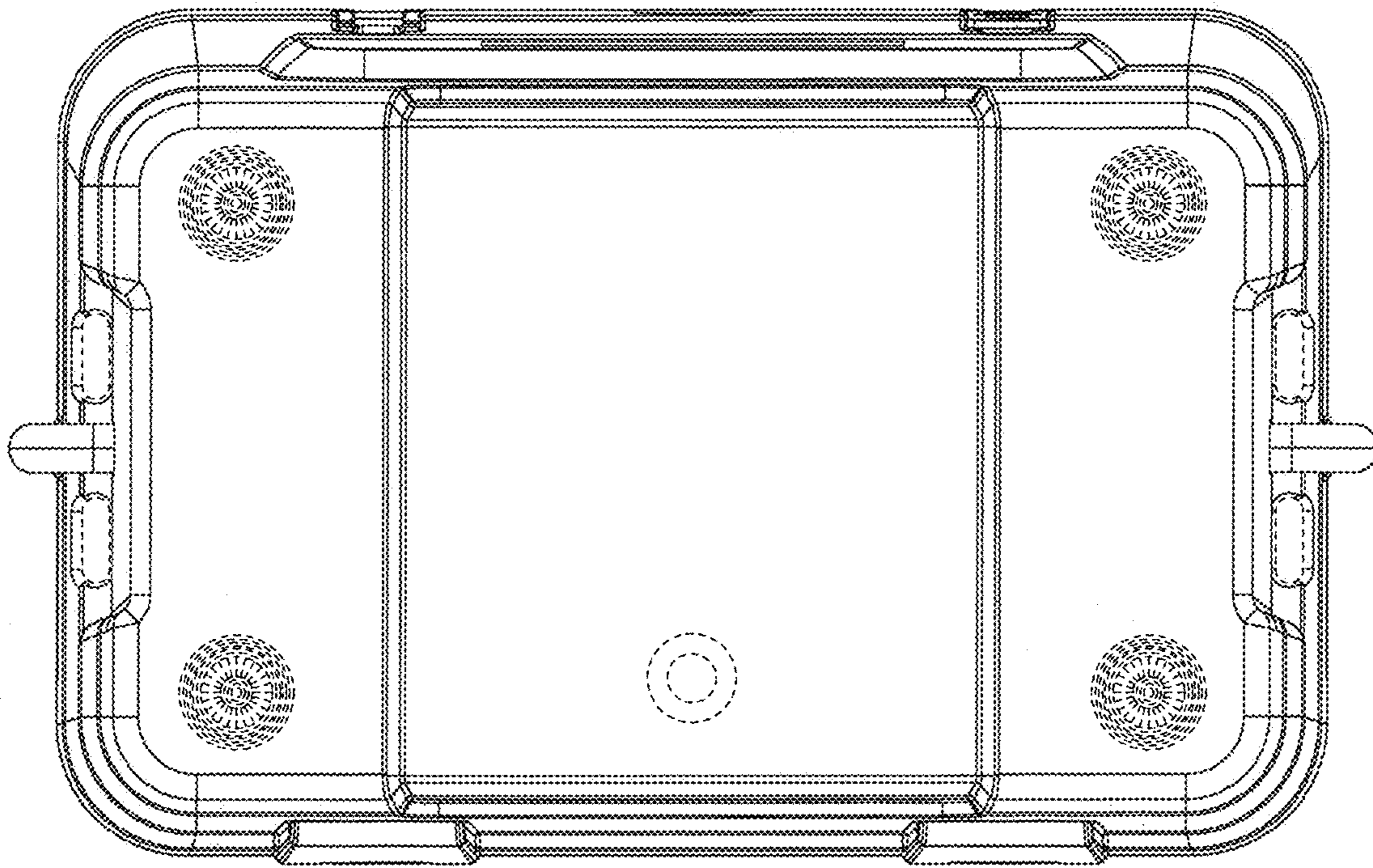


FIG. 7

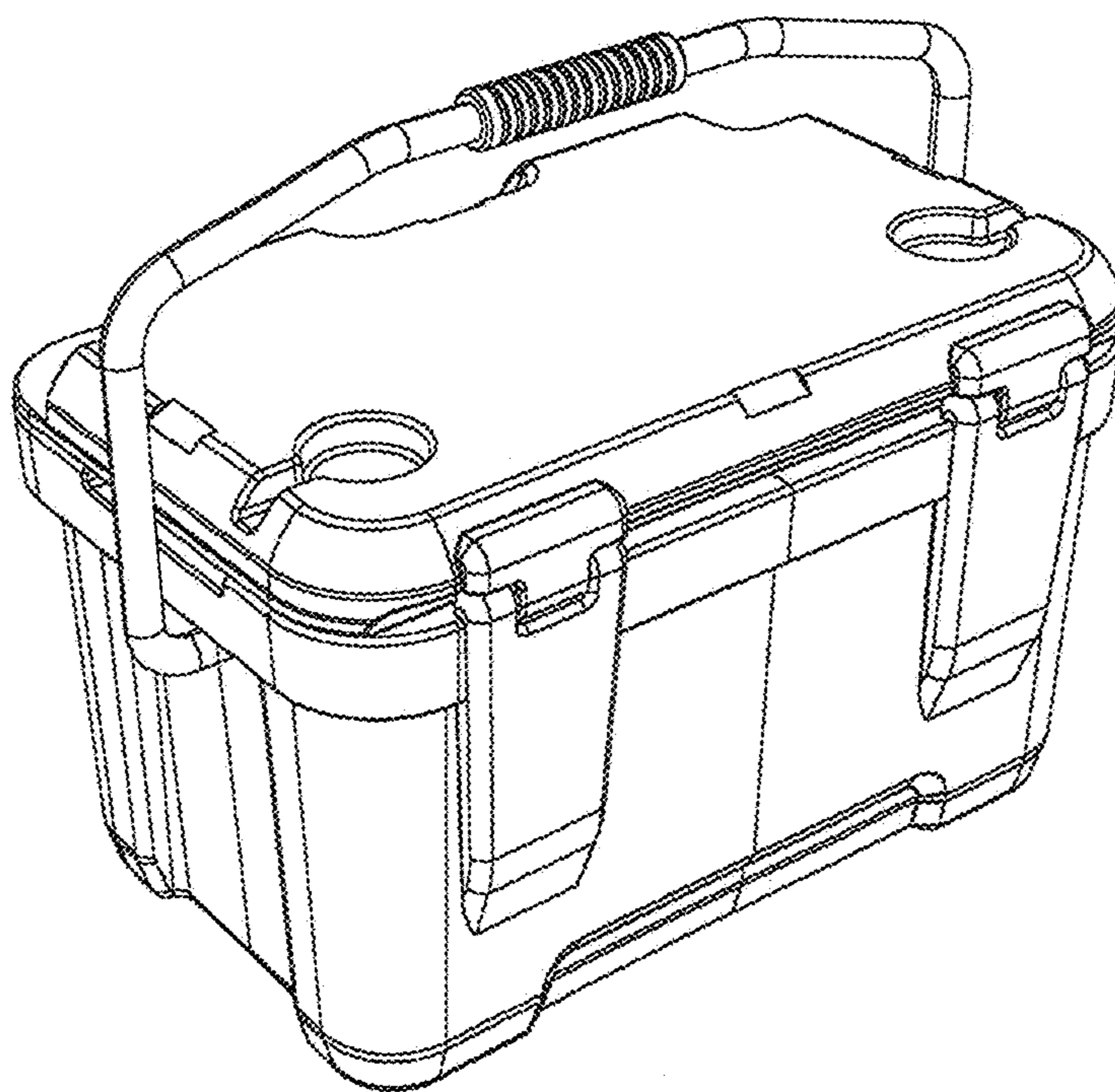


FIG. 8