



US00D822718S

(12) **United States Design Patent** (10) **Patent No.:** **US D822,718 S**
Hartung (45) **Date of Patent:** **** Jul. 10, 2018**

(54) **VACUUM PUMP**
(71) Applicant: **Gebr. Becker GmbH**, Wuppertal (DE)
(72) Inventor: **Michael Hartung**, Essen (DE)
(73) Assignee: **Gebr. Becker GmbH**, Wuppertal (DE)
(**) Term: **15 Years**
(21) Appl. No.: **29/588,132**
(22) Filed: **Dec. 19, 2016**

D621,418 S 8/2010 Leu et al.
D629,423 S 12/2010 Varini
D657,800 S 4/2012 Villagomez, Jr. et al.
D694,276 S 11/2013 Kunzendorf et al.
D698,369 S 1/2014 Meza et al.
D713,860 S 9/2014 Pedrollo
D725,153 S 3/2015 Berry
D727,363 S * 4/2015 Carpenter D15/7
D785,679 S * 5/2017 Hartung D15/7
D800,789 S * 10/2017 Luke D15/7
D800,790 S * 10/2017 Mazur D15/7
D807,404 S * 1/2018 Mantes D15/7

(Continued)

Primary Examiner — Ralf Seifert
(74) *Attorney, Agent, or Firm* — Collard & Roe, P.C.

Related U.S. Application Data

(62) Division of application No. 29/536,700, filed on Aug. 19, 2015, now Pat. No. Des. 785,679.

Foreign Application Priority Data

Feb. 20, 2015 (EM) 001430508

(51) **LOC (11) Cl.** **15-02**

(52) **U.S. Cl.**
USPC **D15/7**

(58) **Field of Classification Search**
USPC D15/7-9; D23/231, 232, 225; 417/60, 417/235, 265, 321, 355, 358, 363, 359, 417/410.1, 415-416, 405, 900, 269, 539; 60/408, 412; 184/26-37; 415/140-147; 123/495, 509; 137/565.34
CPC F02M 37/04; F02M 37/14; F04B 53/92; F04B 1/005

See application file for complete search history.

References Cited

U.S. PATENT DOCUMENTS

D299,143 S 12/1988 Hazlehurst
D450,327 S 11/2001 Mori et al.
D512,442 S 12/2005 Moser, III
D619,624 S 7/2010 Iwagoshi et al.

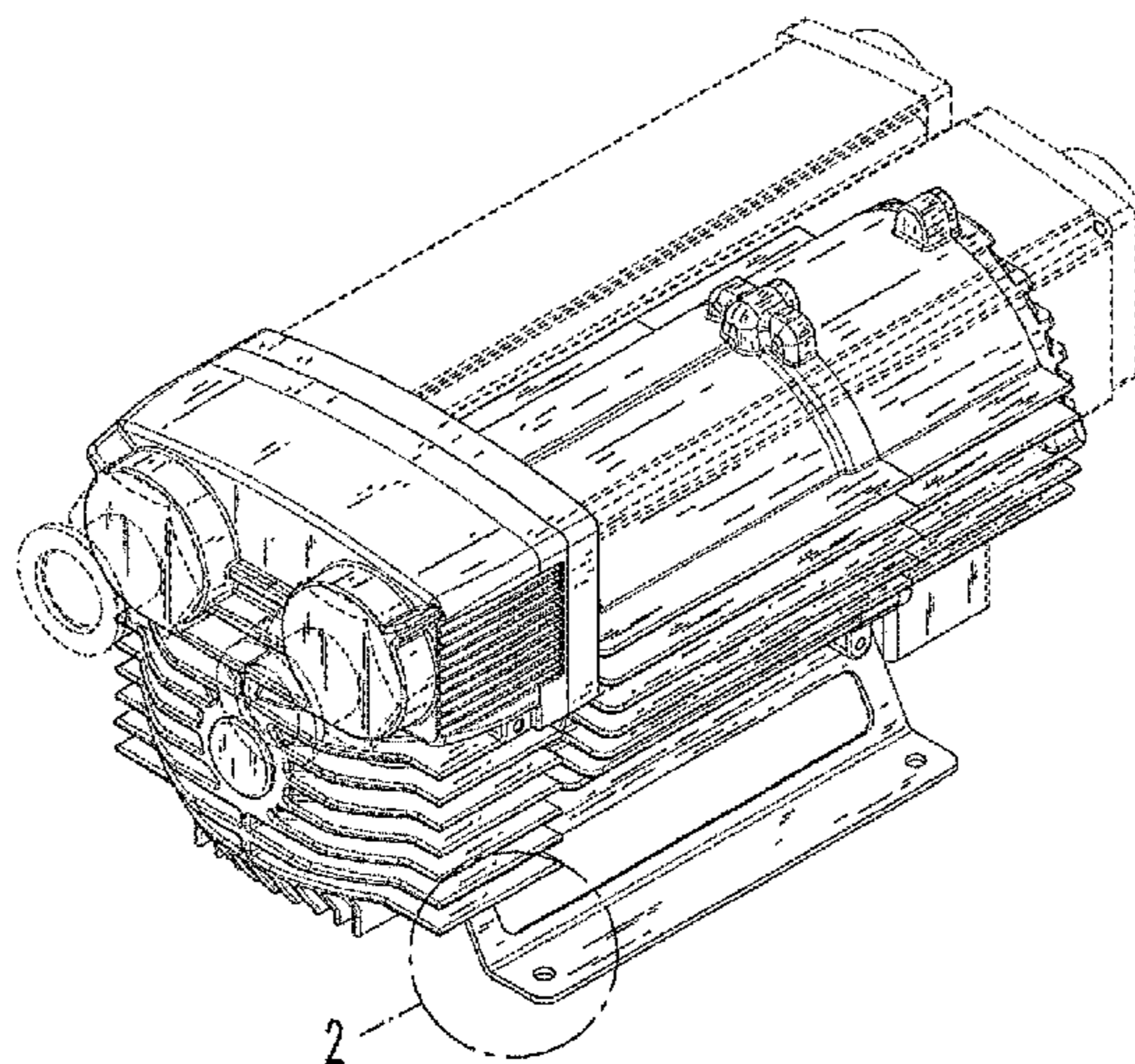
(57) **CLAIM**

The ornamental design for a vacuum pump, as shown and described.

DESCRIPTION

FIG. 1 is a top, front and side perspective view of one embodiment of my design for a vacuum pump;
FIG. 2 is an enlarged detail view of area 2 circumscribed within FIG. 1;
FIG. 3 is a front view thereof;
FIG. 4 is an enlarged detail view of area 4 circumscribed within FIG. 3;
FIG. 5 is an enlarged detail view of area 5 circumscribed within FIG. 3;
FIG. 6 is a side view thereof;
FIG. 7 is an enlarged detail view of area 7 circumscribed within FIG. 6;
FIG. 8 is a rear view thereof;
FIG. 9 is another side view thereof, opposite the side view of FIG. 6;
FIG. 10 is a top view thereof; and,
FIG. 11 is a bottom view thereof.
The area shown in broken lines show environmental structure only and form no part of the claimed design.

1 Claim, 8 Drawing Sheets



(56)

References Cited

U.S. PATENT DOCUMENTS

D807,924 S *	1/2018	Wilkie	D15/7
D809,022 S *	1/2018	Luke	D15/7
D812,105 S *	3/2018	Agostini	D15/7
D812,106 S *	3/2018	Minatodani	D15/7

* cited by examiner

Fig. 1

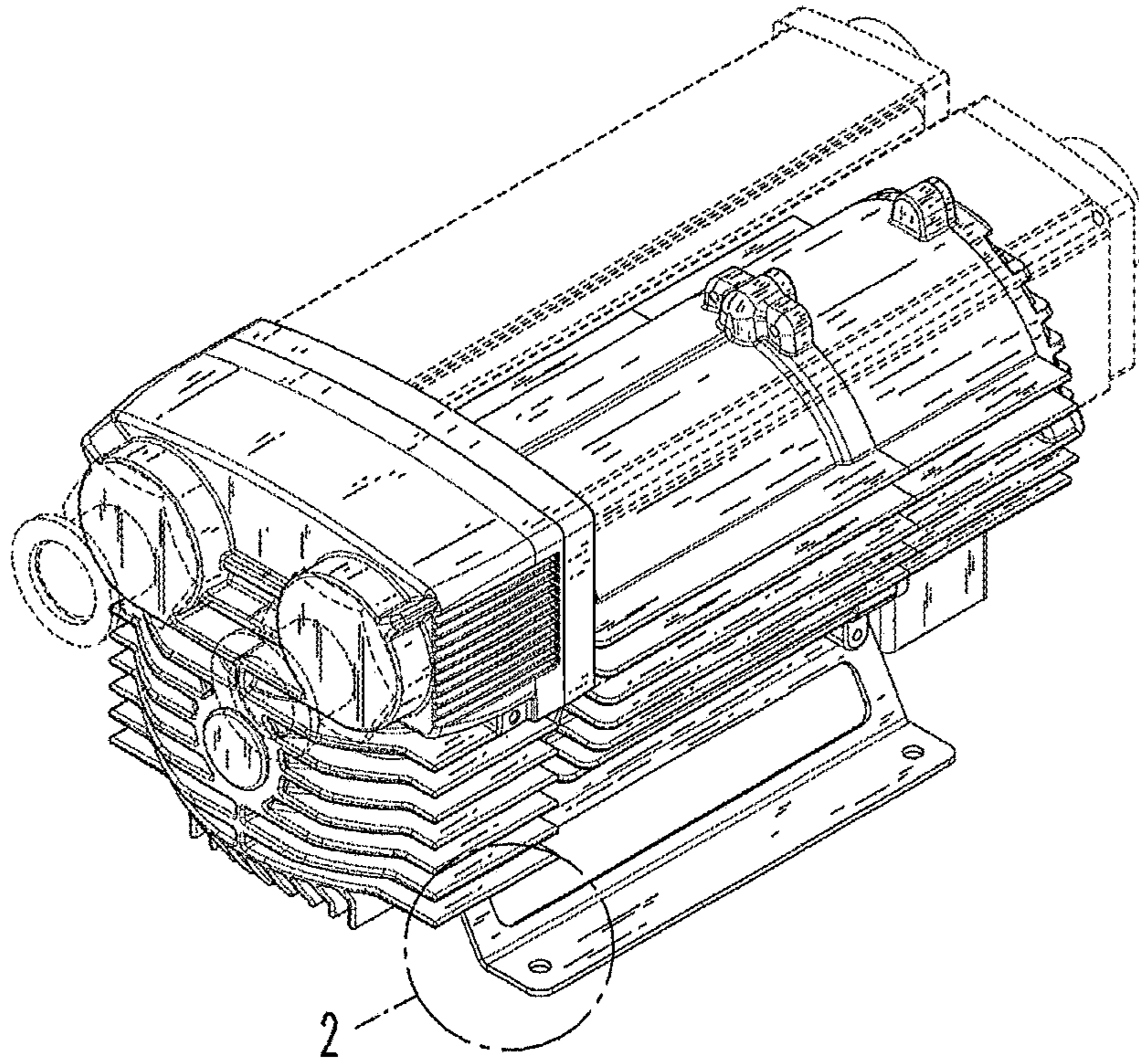


Fig. 2

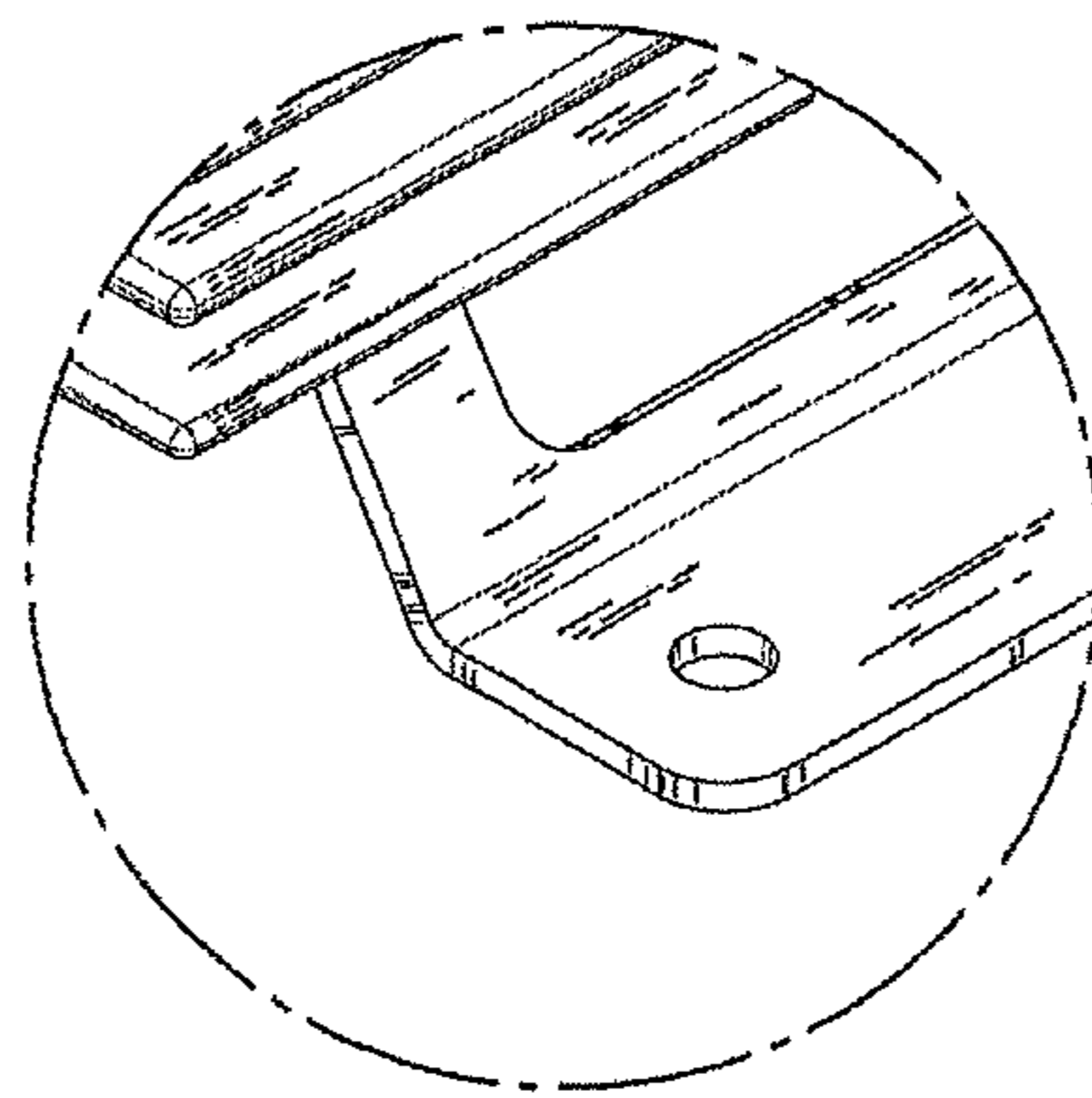


Fig. 3

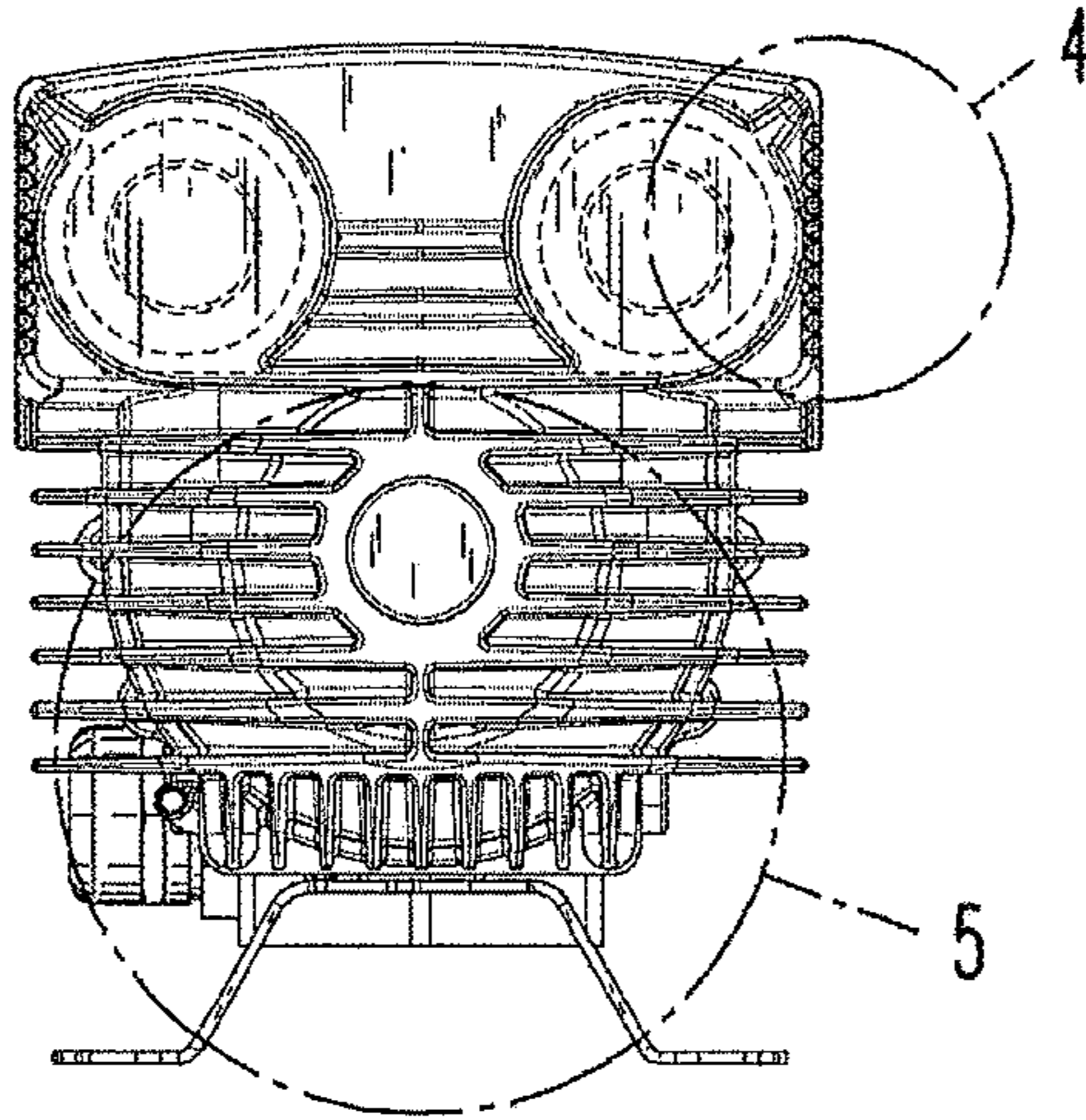


Fig. 4

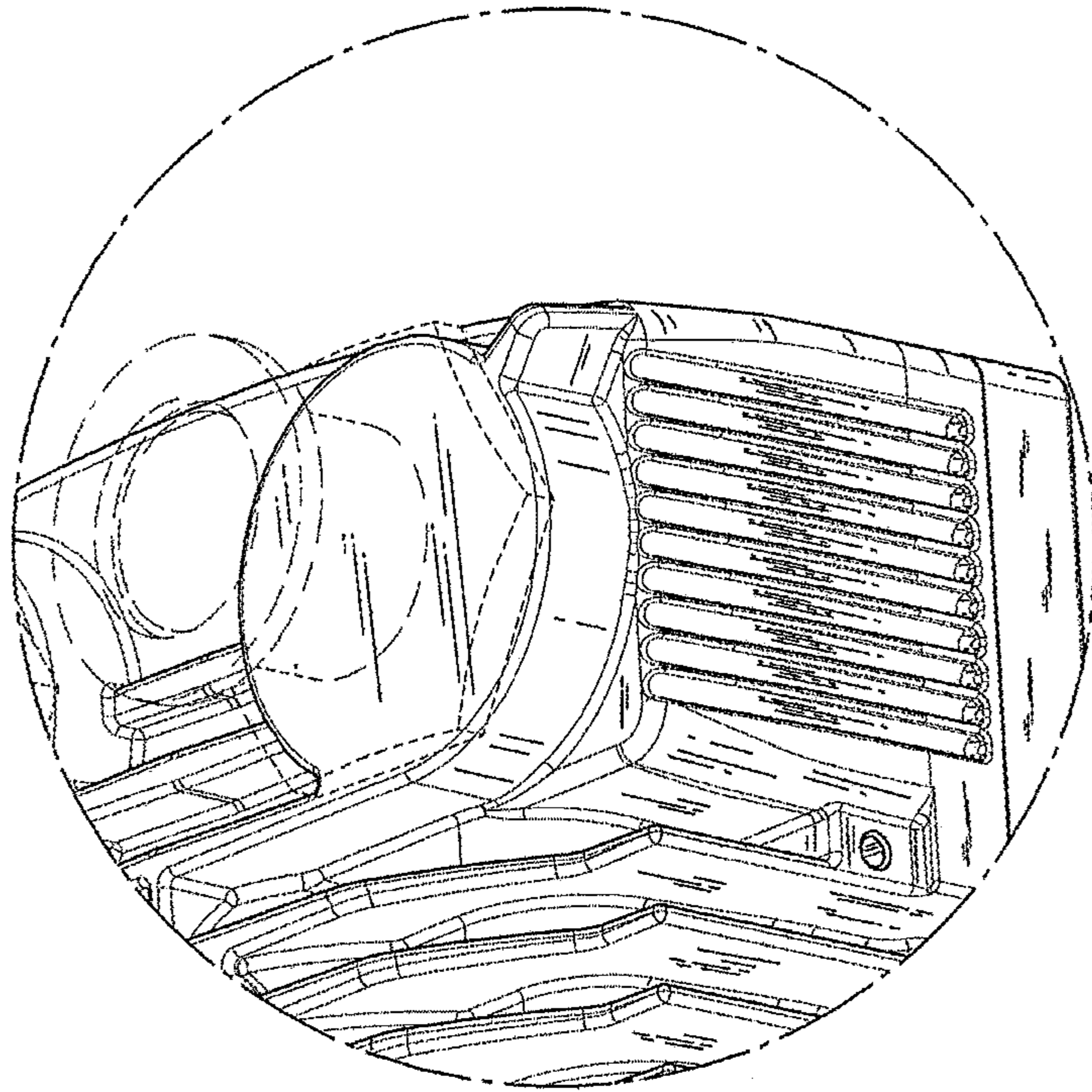


Fig. 5

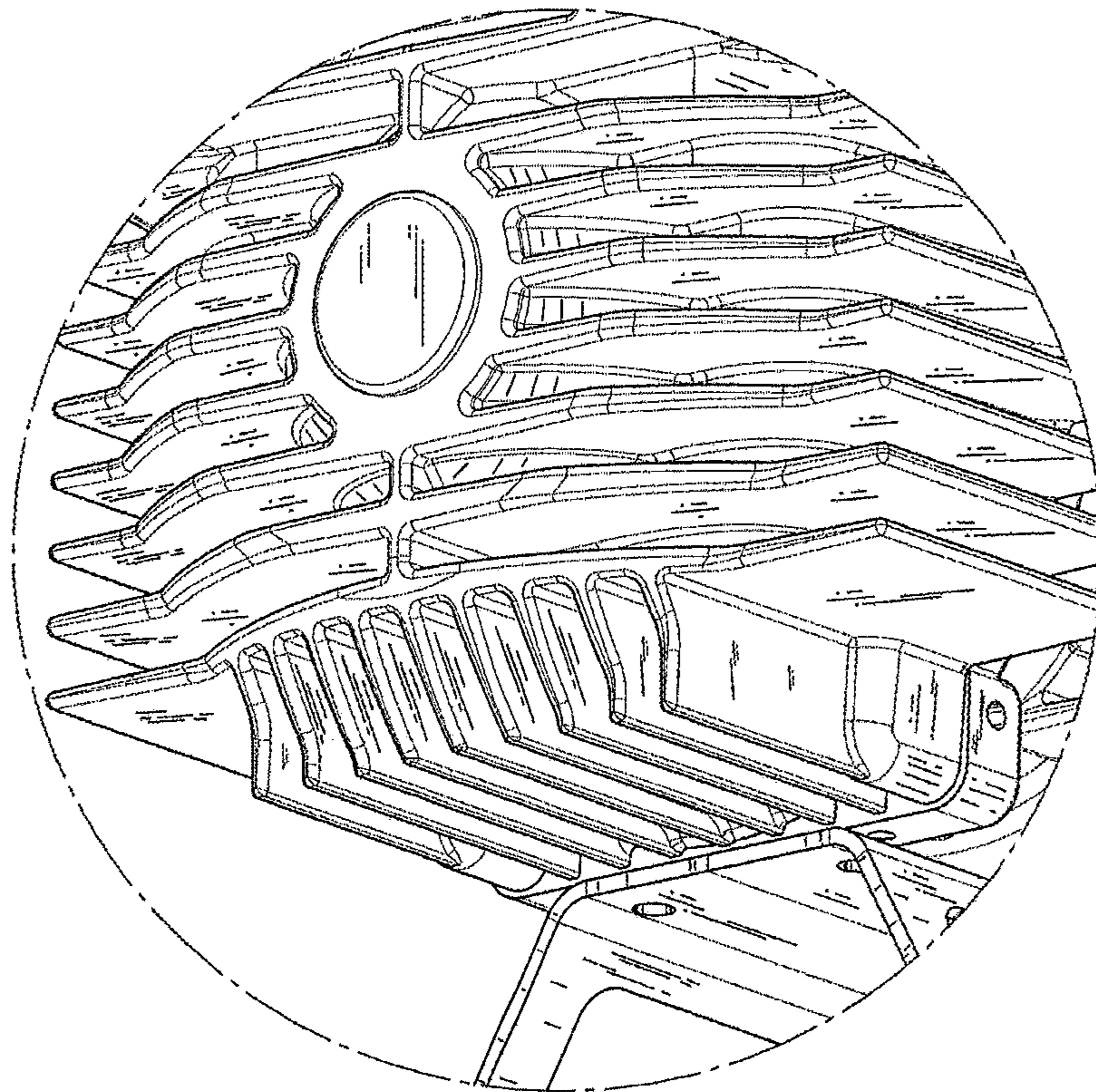


Fig. 6

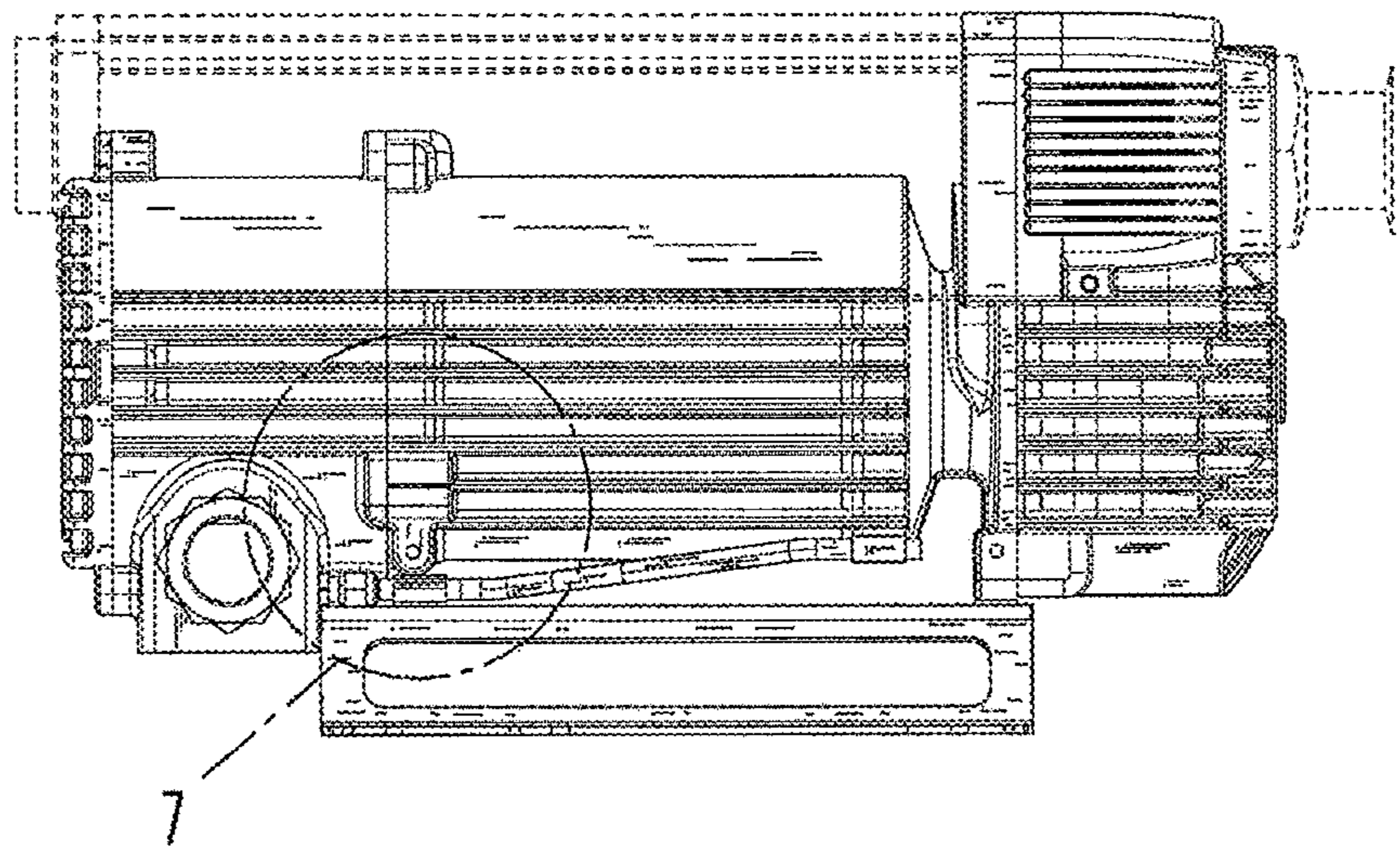


Fig. 7

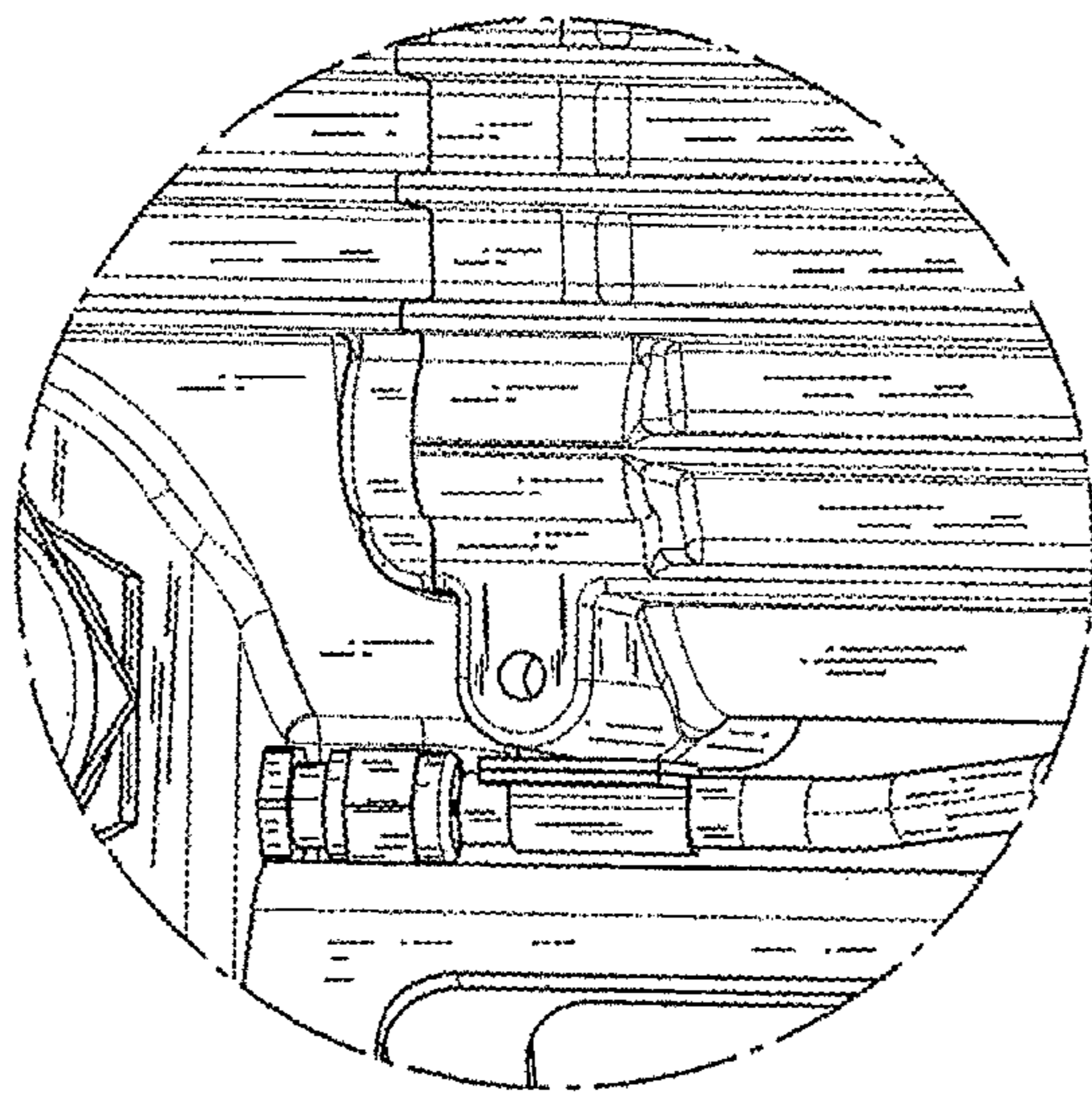


Fig. B

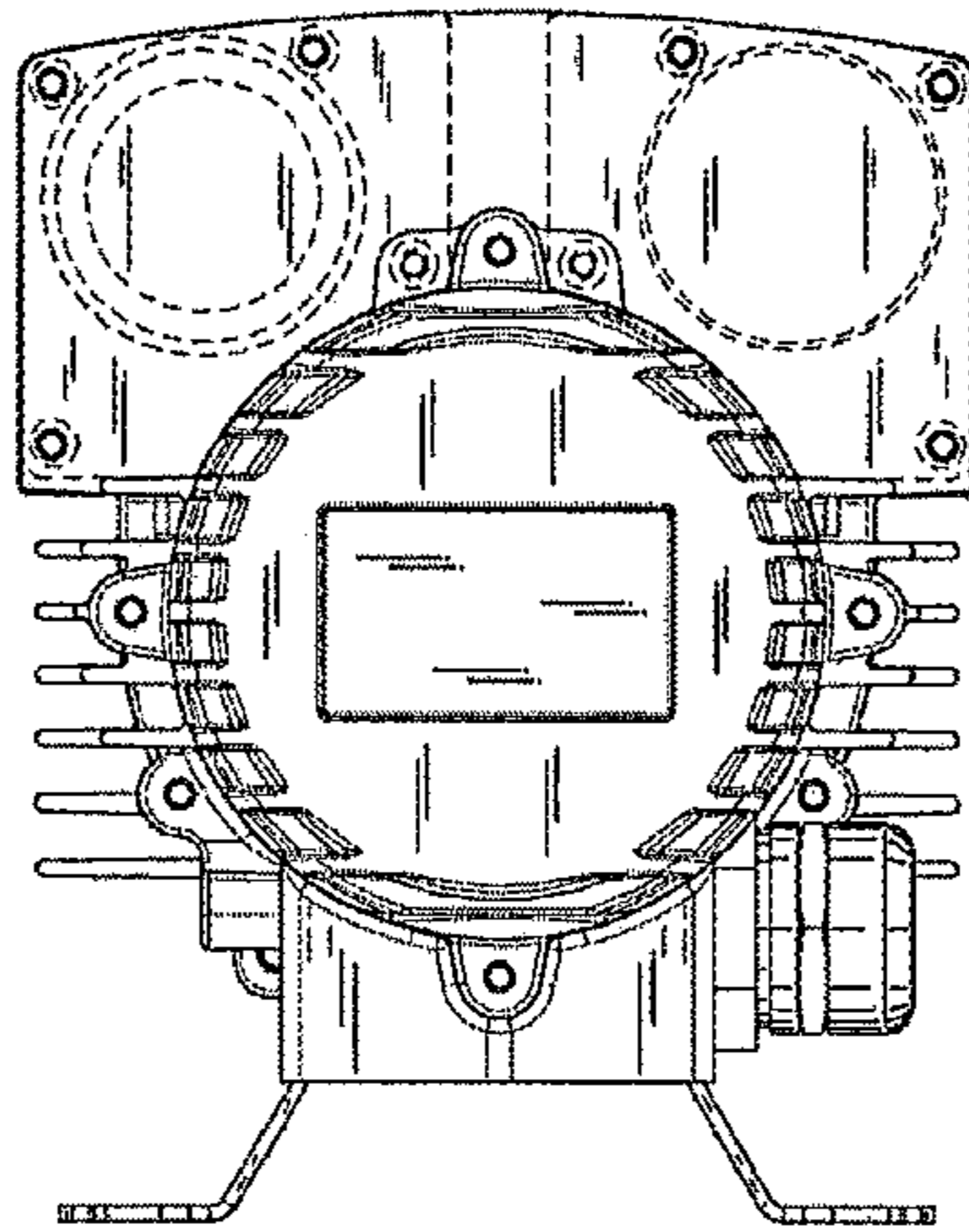


Fig. 9

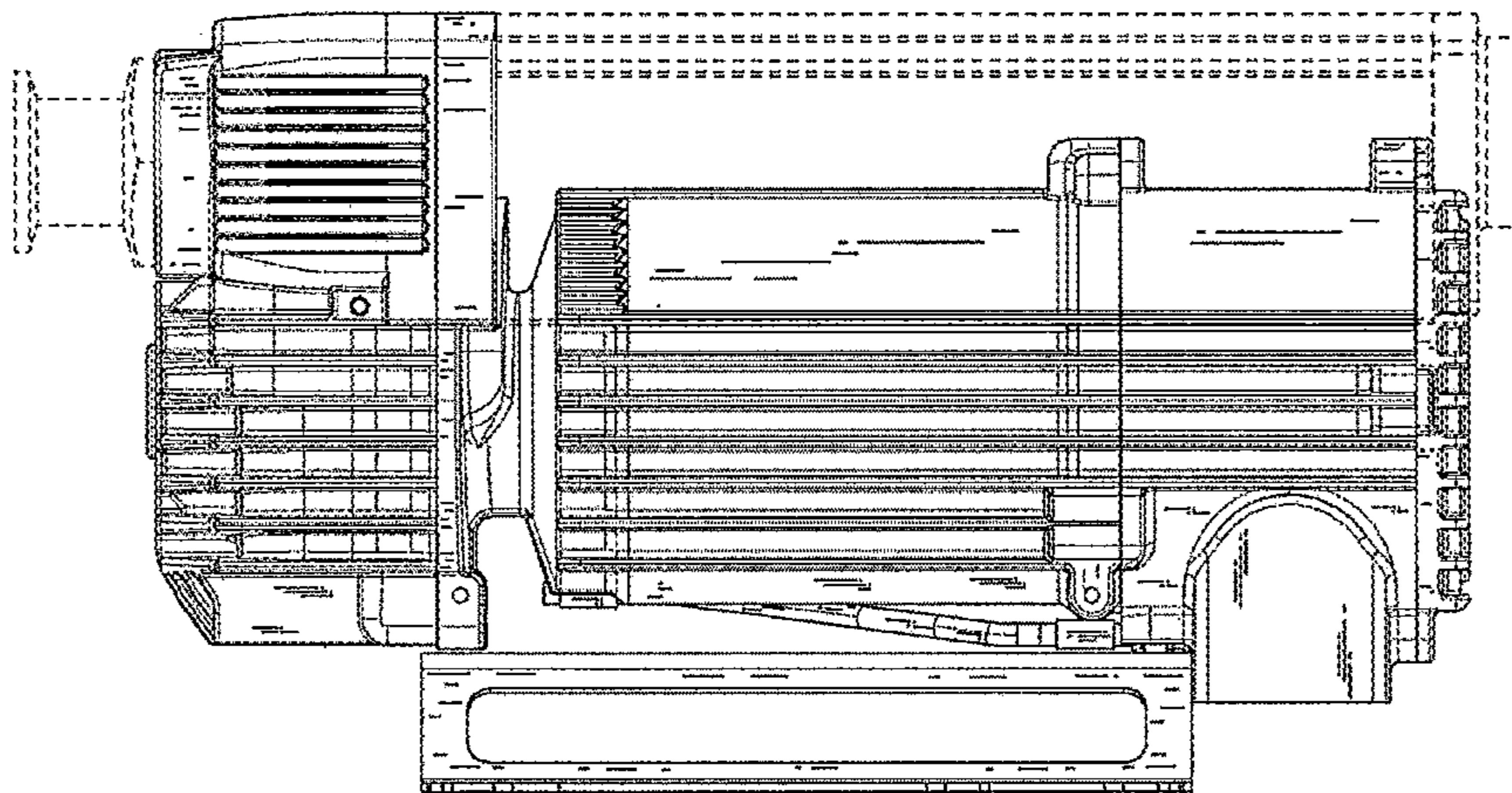


Fig. 10

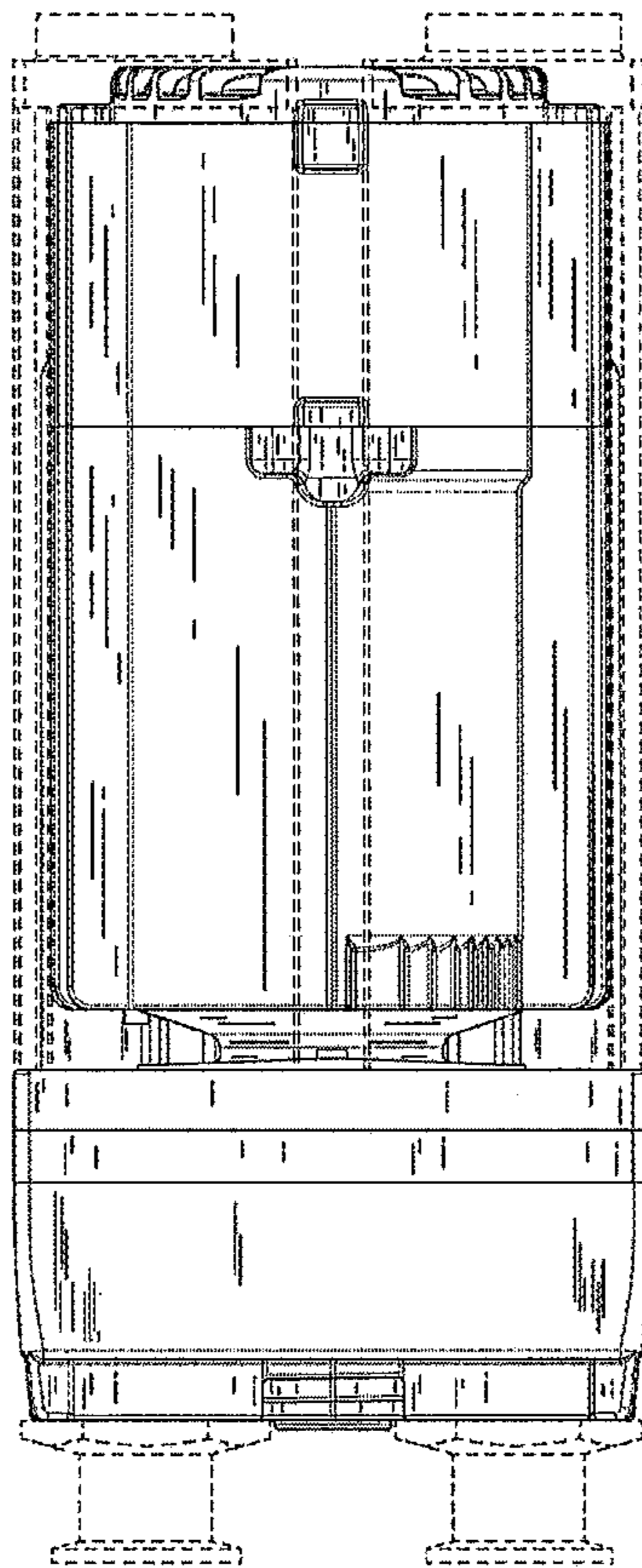


Fig. 11

