



US00D822685S

(12) **United States Design Patent**  
**Argo et al.**

(10) **Patent No.:** **US D822,685 S**  
(45) **Date of Patent:** **\*\* Jul. 10, 2018**

(54) **DISPLAY SCREEN OR PORTION THEREOF WITH GRAPHICAL USER INTERFACE**

(71) Applicant: **Intuitive Surgical Operations, Inc.**, Sunnyvale, CA (US)

(72) Inventors: **Lauren L. Argo**, San Francisco, CA (US); **Federico Barbagli**, San Francisco, CA (US); **Ruchi C. Bhatt**, San Jose, CA (US); **Christopher R. Carlson**, Belmont, CA (US); **Energy Cruse, II**, Foster City, CA (US); **Vincent Duindam**, San Francisco, CA (US); **Scott S. Ichikawa**, Seattle, WA (US); **Aaron B. Tinling**, Chimacum, WA (US); **Oliver J. Wagner**, Mountain View, CA (US)

(73) Assignee: **INTUITIVE SURGICAL OPERATIONS, INC.**, Sunnyvale, CA (US)

(\*\*) Term: **15 Years**

(21) Appl. No.: **29/600,991**

(22) Filed: **Apr. 18, 2017**

(51) **LOC (11) Cl.** ..... **14-04**

(52) **U.S. Cl.**  
USPC ..... **D14/485**

(58) **Field of Classification Search**  
USPC .... D14/485-495; 345/1.1, 1.2, 2.1-2.3, 3.1, 345/902; 715/763, 810, 836, 837, 846, 715/847, 977  
CPC .... G06F 3/048; G06F 3/0481; G06F 3/04812; G06F 3/04817; G06F 3/0482; G06F 3/0483; G06F 3/0484; G06F 3/04847; G06F 3/0485; G06F 3/04855; G06F 3/04886; G06Q 30/00; H03J 1/00; H03J 1/0008; H03J 1/0016; H03J 1/0025; H04N 5/00; H04N 5/08; H04N 5/14; H04N 5/222; H04N 5/225; H04N 5/232; H04N 5/445; H04N 5/44543; H04N 5/45;

H04N 2005/44517; H04N 2005/44521; H04N 2005/44526; H04N 2005/4453; H04N 2005/44534; H04N 2005/44539; H04N 2005/44547; H04N 2005/44556; H04N 2005/4456; H04N 2005/44565; H04N 2005/44569; H04N 2005/44573; H04N 21/00; H04N 21/234; H04N 21/431; H04N 21/4312; H04N 21/4314; H04N 21/4316

See application file for complete search history.

(56) **References Cited**

**U.S. PATENT DOCUMENTS**

D687,048	S	*	7/2013	Scharfeld	.....	D14/485
D732,060	S	*	6/2015	Townsend	.....	D14/487
D736,249	S	*	8/2015	Omiya	.....	D14/488
D759,076	S	*	6/2016	Bain	.....	D14/486
D765,130	S	*	8/2016	Bach	.....	D14/488
D768,185	S	*	10/2016	Lee	.....	D14/487

(Continued)

*Primary Examiner* — Cathron C Brooks

*Assistant Examiner* — Christian P. McLean

(74) *Attorney, Agent, or Firm* — Haynes and Boone, LLP

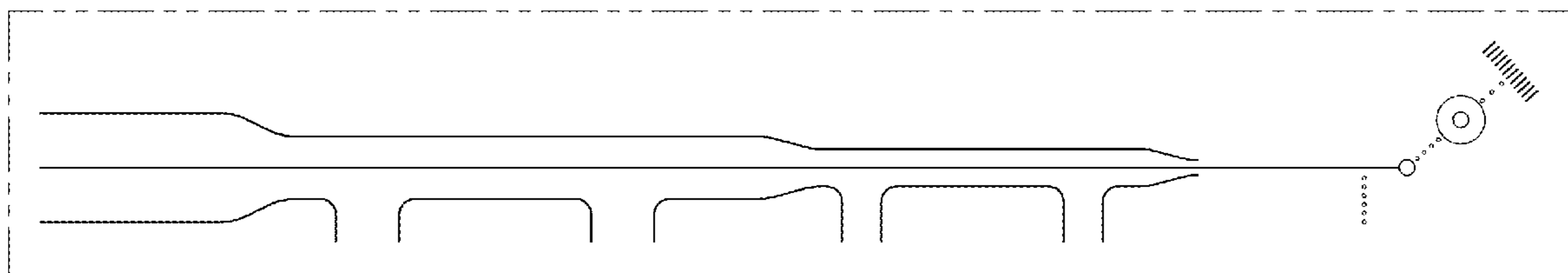
(57) **CLAIM**

The ornamental design for a display screen or portion thereof with graphical user interface, as shown and described.

**DESCRIPTION**

FIG. 1 is a front view of a first embodiment of a display screen or portion thereof with graphical user interface showing our new design; and, FIG. 2 is a front view of a second embodiment of the display screen or portion thereof with graphical user interface showing our new design. The long-dash/short-dash/short-dash broken line illustrates the display screen and the boundary of the claimed design and forms no part thereof.

**1 Claim, 1 Drawing Sheet**



(56)

**References Cited**

U.S. PATENT DOCUMENTS

D769,326 S *	10/2016	Boot .....	D14/494
D797,126 S *	9/2017	Broughton .....	D14/485
D802,014 S *	11/2017	Dragoi .....	D14/489
2015/0301717 A1 *	10/2015	Wekell .....	A61B 5/02055 715/835

\* cited by examiner

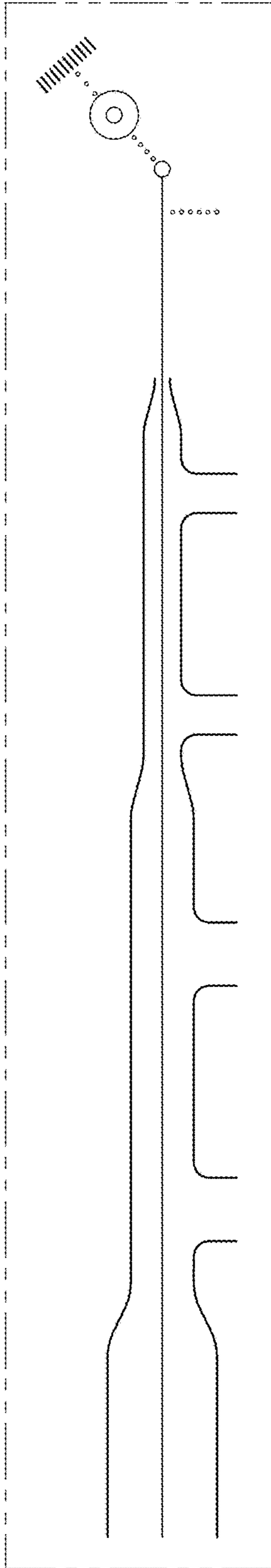


Fig. 1

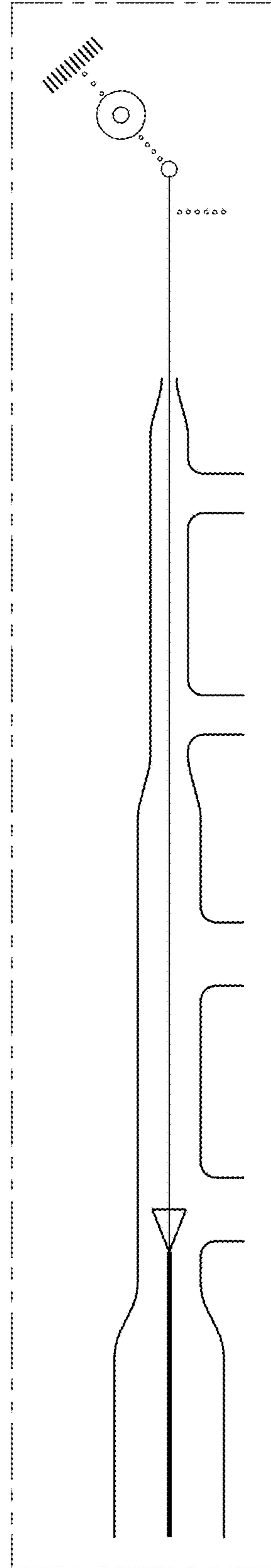


Fig. 2