



US00D822670S

(12) **United States Design Patent** (10) **Patent No.:** **US D822,670 S**
Hubert et al. (45) **Date of Patent:** **** Jul. 10, 2018**

(54) **STAND FOR TELEVISION**
(71) Applicant: **Samsung Electronics Co., Ltd.**,
Suwon-si (KR)
(72) Inventors: **Benjamin Hubert**, London (GB); **Luca Corvatta**, London (GB)
(73) Assignee: **SAMSUNG ELECTRONICS CO., LTD.**, Gyeonggi-Do (KR)
(**) Term: **15 Years**
(21) Appl. No.: **29/608,377**
(22) Filed: **Jun. 21, 2017**
(51) **LOC (11) Cl.** **14-02**
(52) **U.S. Cl.**
USPC **D14/451**
(58) **Field of Classification Search**
USPC D14/371-382, 125-129, 335-337,
D14/447-452, 492, 239, 457, 439-441,
D14/432, 251-253; D8/349, 354, 363,
D8/373, 376, 380; 348/180, 184, 325,
348/739, 825; D12/407, 415; D3/218;
341/12
CPC G06F 3/0412; G06F 3/016; G06F 3/0488;
G06F 3/011; G06F 3/038; G06F 3/03543;
G06F 3/0338; G06F 3/0202; G06F
3/0219; G06F 3/0213; G06F 1/1616;
G06F 3/023; G06F 3/04883; G02F
1/13338; G02F 1/1313; G02F 1/1333;
G02F 1/135; G02F 1/132; G02F
1/133308; G02F 1/134309; G02F
1/13718; G09G 3/3648; G06K 15/1252;
B41J 2/465; G03F 7/70291; G02B
27/0172; G02B 5/30; G02B 2027/0118;
G02B 27/0101; F16M 13/02; F16M
13/00; F16M 11/10; F16M 11/04; F16M
2200/08; F16M 11/2021; A47B 21/0314;
A47B 88/044; A47B 2021/0335; H02G
3/126; F16B 47/00; F16B 47/006; A47G
1/17; A47K 2201/00

See application file for complete search history.

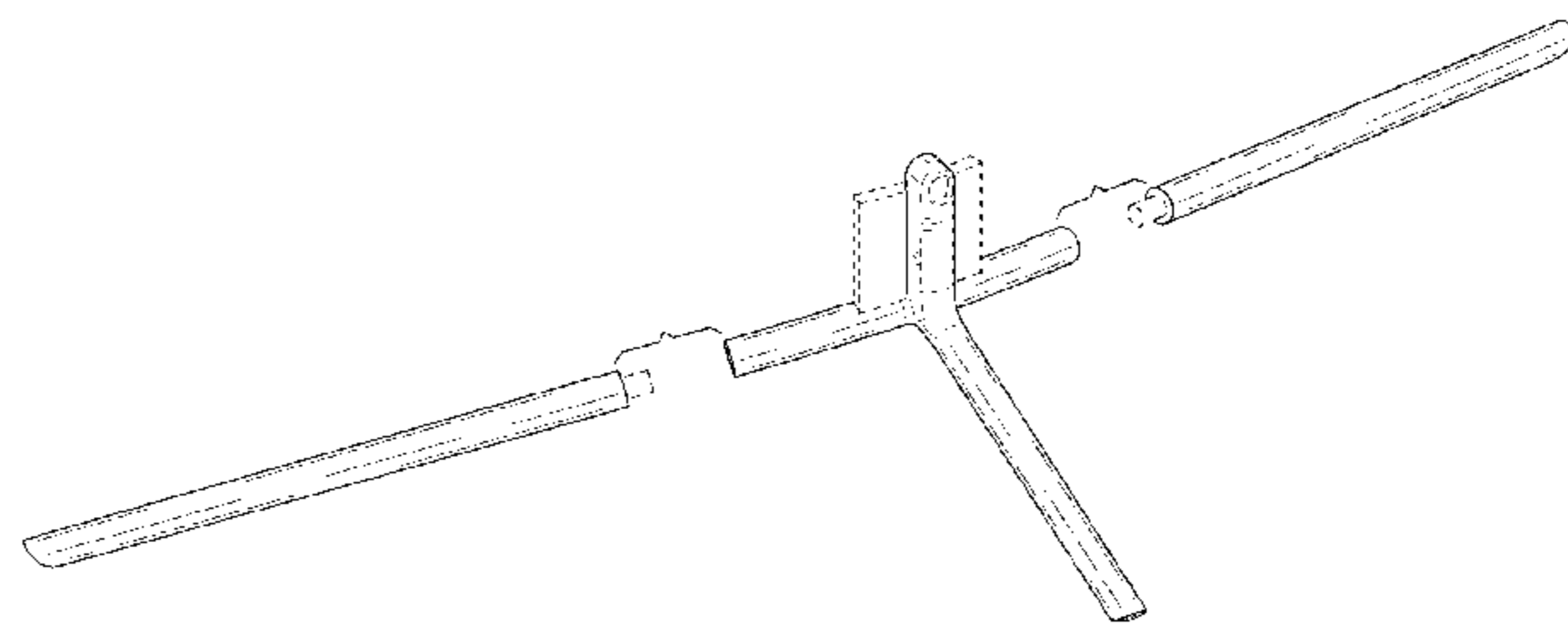
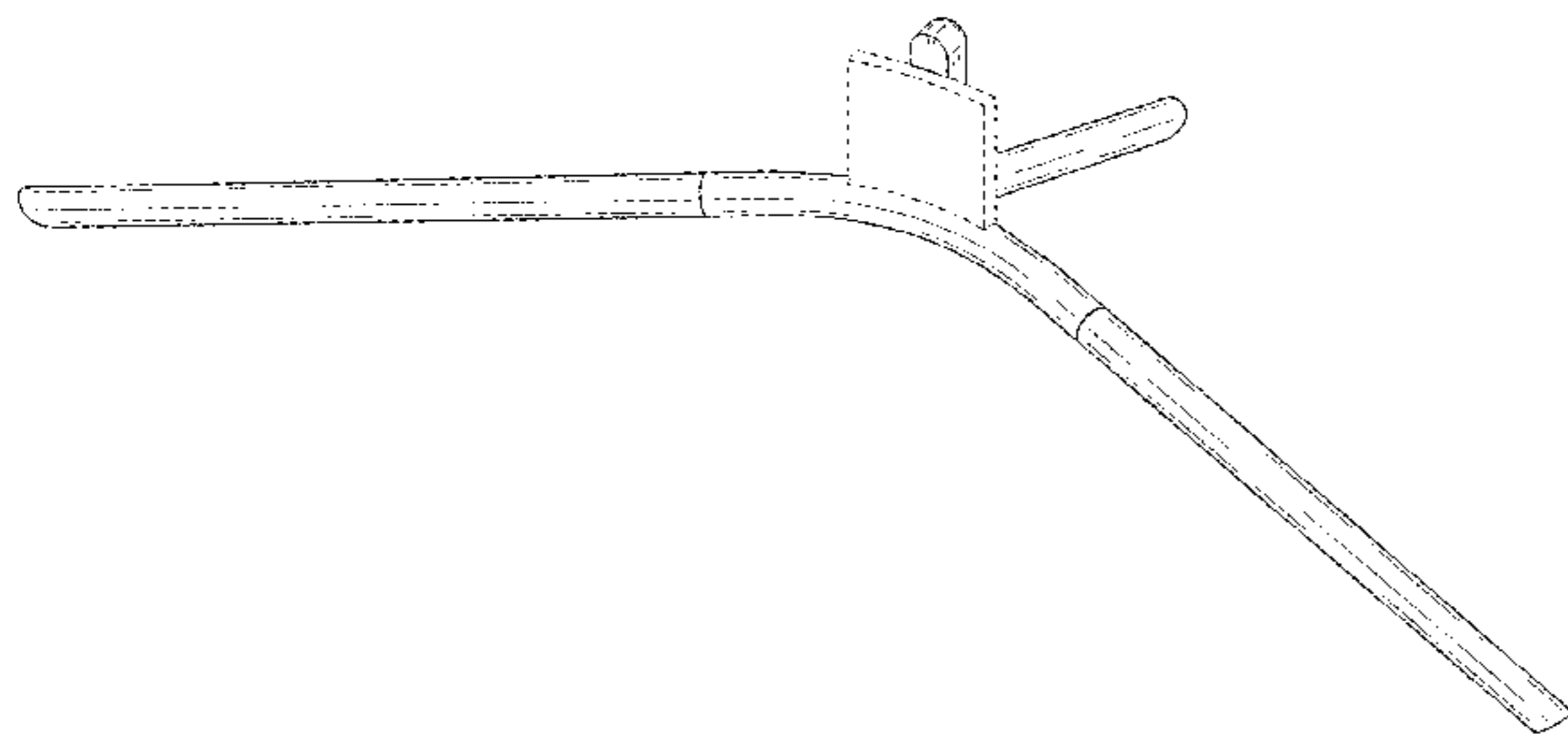
(56) **References Cited**
U.S. PATENT DOCUMENTS
D700,170 S * 2/2014 Choi D14/239
D716,777 S * 11/2014 Kim D14/239
D722,068 S * 2/2015 Jung D14/447
D743,953 S * 11/2015 Ann D14/239
(Continued)

FOREIGN PATENT DOCUMENTS
JP 1428605 11/2014
KR 300659444 9/2012
KR 300827561 11/2015
Primary Examiner — Katie Jane Stofko
(74) *Attorney, Agent, or Firm* — Cantor Colburn LLP

(57) **CLAIM**
The ornamental design for a stand for television, as shown and described.

DESCRIPTION
FIG. 1 is a front perspective view of a stand for television, showing our new design;
FIG. 2 is a front view thereof;
FIG. 3 is a rear view thereof;
FIG. 4 is a left side view thereof;
FIG. 5 is a right side view thereof;
FIG. 6 is a top view thereof;
FIG. 7 is a bottom view thereof;
FIG. 8 is a rear perspective view thereof;
FIG. 9 is another front perspective view thereof, shown in an environment of use; and,
FIG. 10 is a rear exploded perspective view thereof.
The broken lines shown in FIGS. 1-6, 8 and 10 illustrate portions of the stand for television that form no part of the claimed design. The broken lines shown in FIG. 9 illustrate environment of the claimed design that forms no part thereof.

1 Claim, 7 Drawing Sheets



(56)

References Cited

U.S. PATENT DOCUMENTS

D745,864 S	*	12/2015	Jung	D14/239
D746,799 S	*	1/2016	Kim	D14/239
D748,080 S	*	1/2016	Jung	D14/239
D758,373 S	*	6/2016	Kim	D14/451
D760,706 S	*	7/2016	Son	D14/239
D786,262 S	*	5/2017	Kim	D14/451
D790,516 S	*	6/2017	Lee	D14/239
D791,132 S	*	7/2017	Oh	D14/374
D795,231 S	*	8/2017	Bang	D14/239

* cited by examiner

FIG. 1

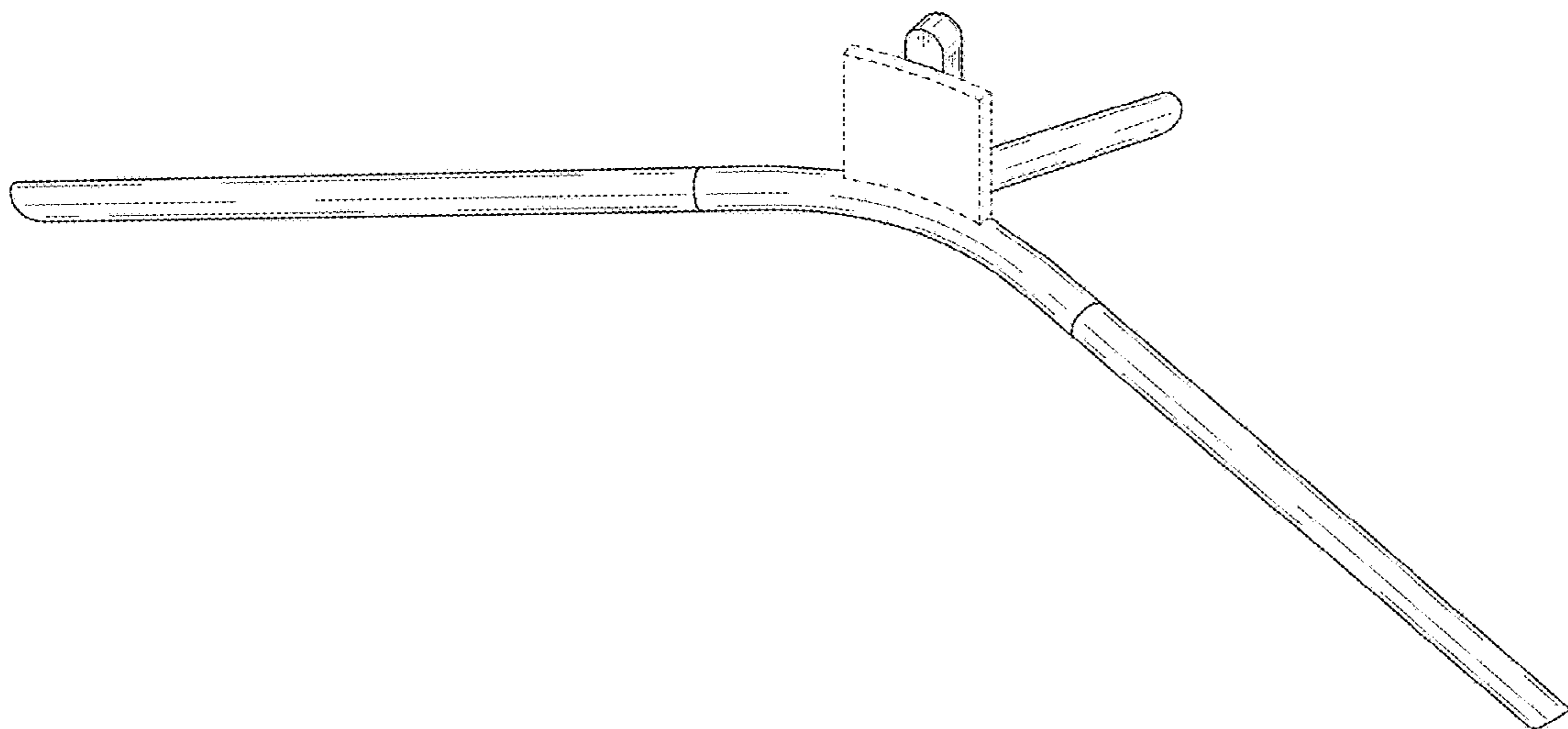


FIG. 2

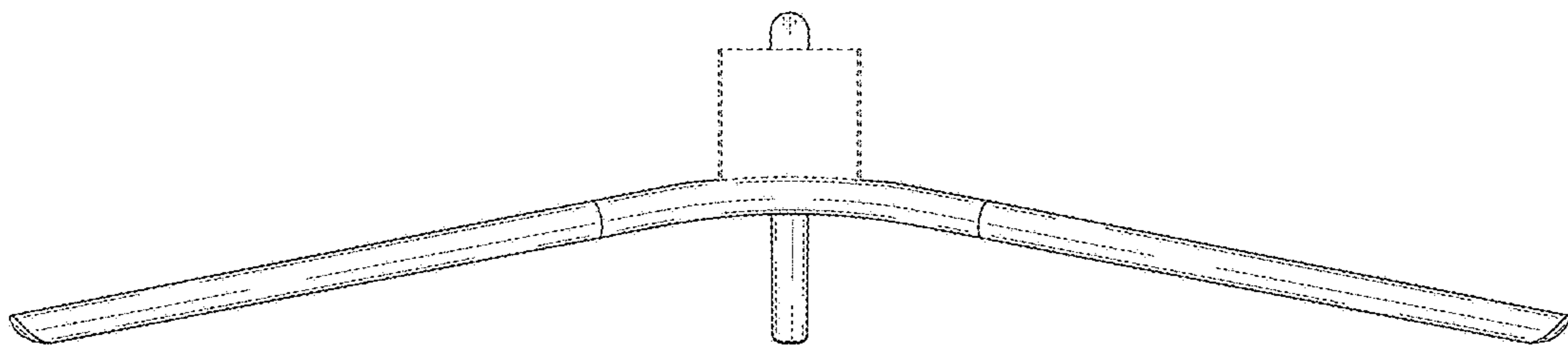


FIG. 3

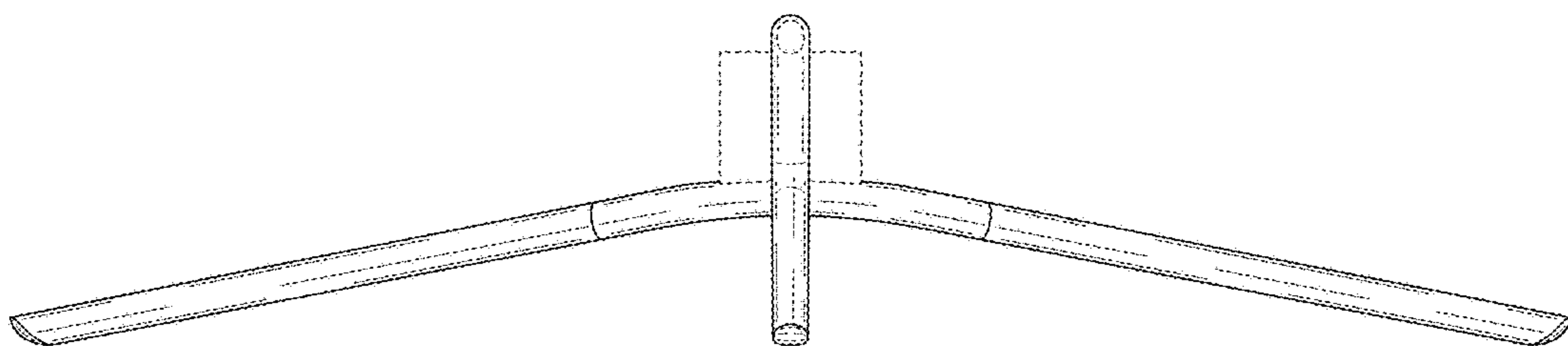


FIG. 4

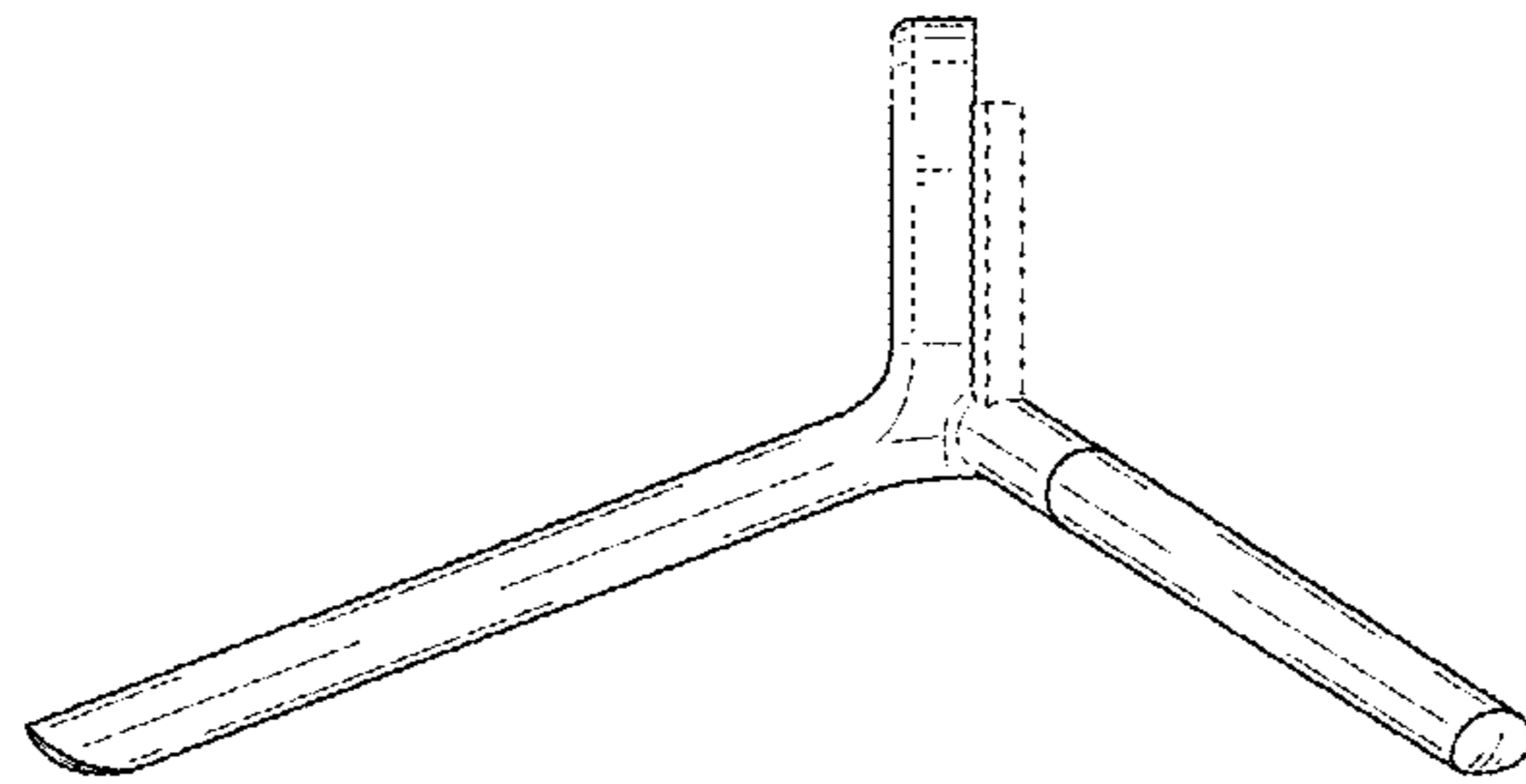


FIG. 5

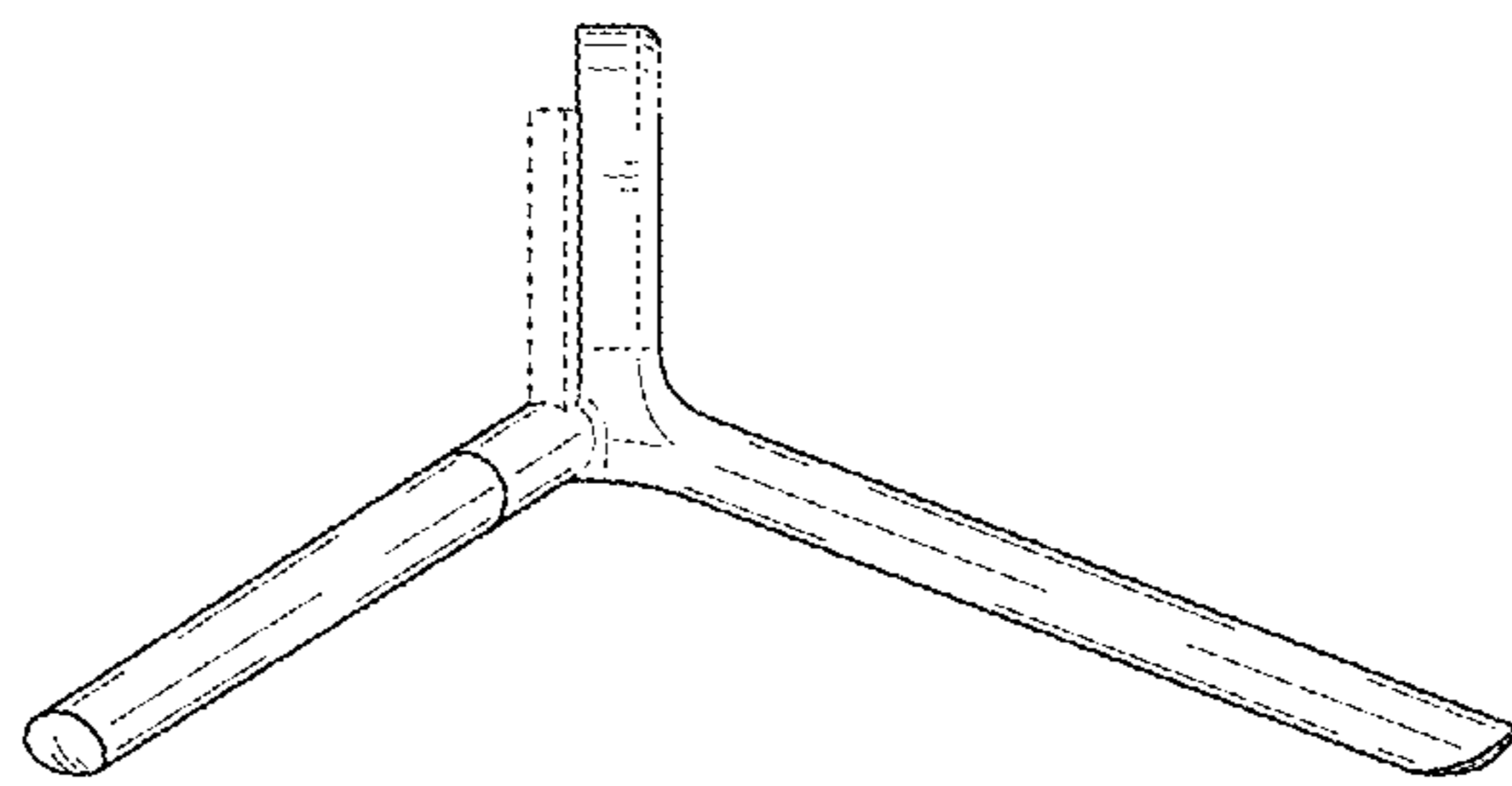


FIG. 6

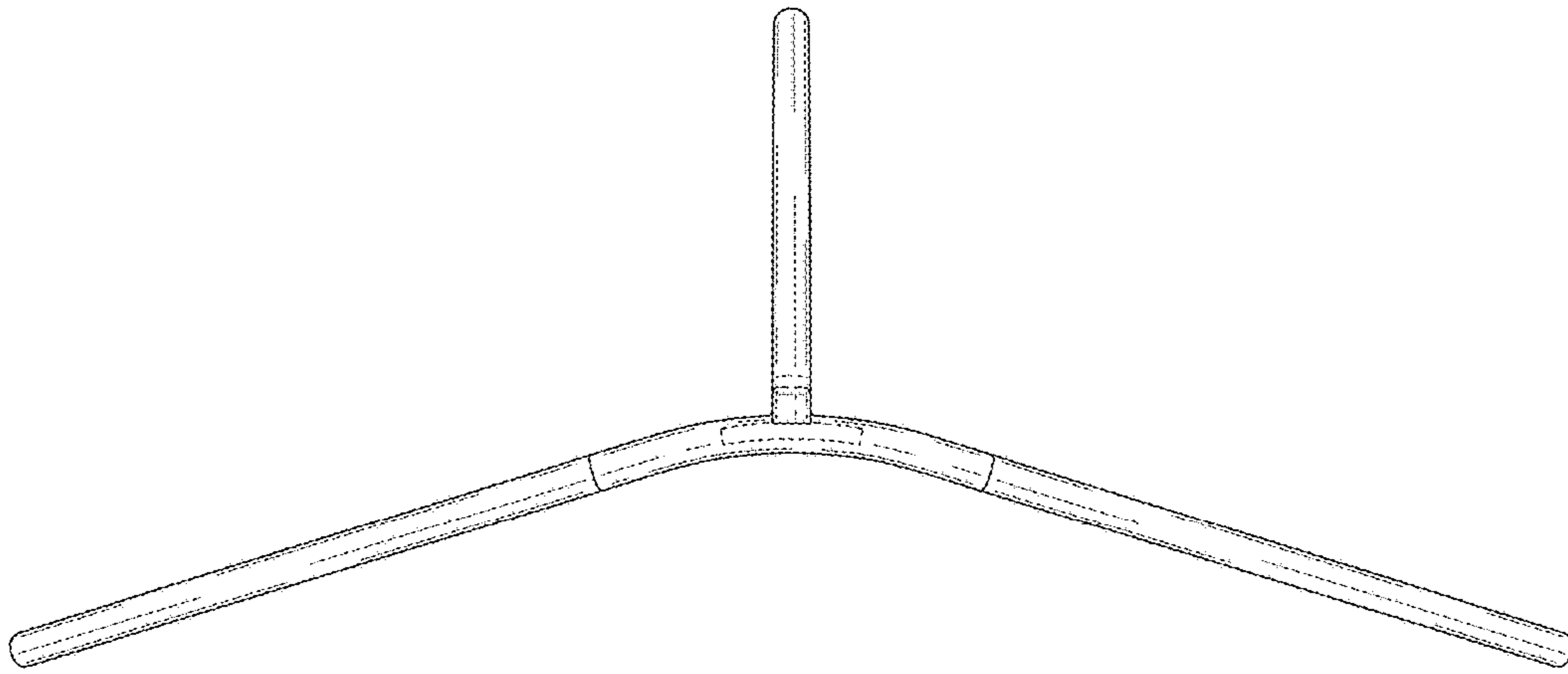


FIG. 7

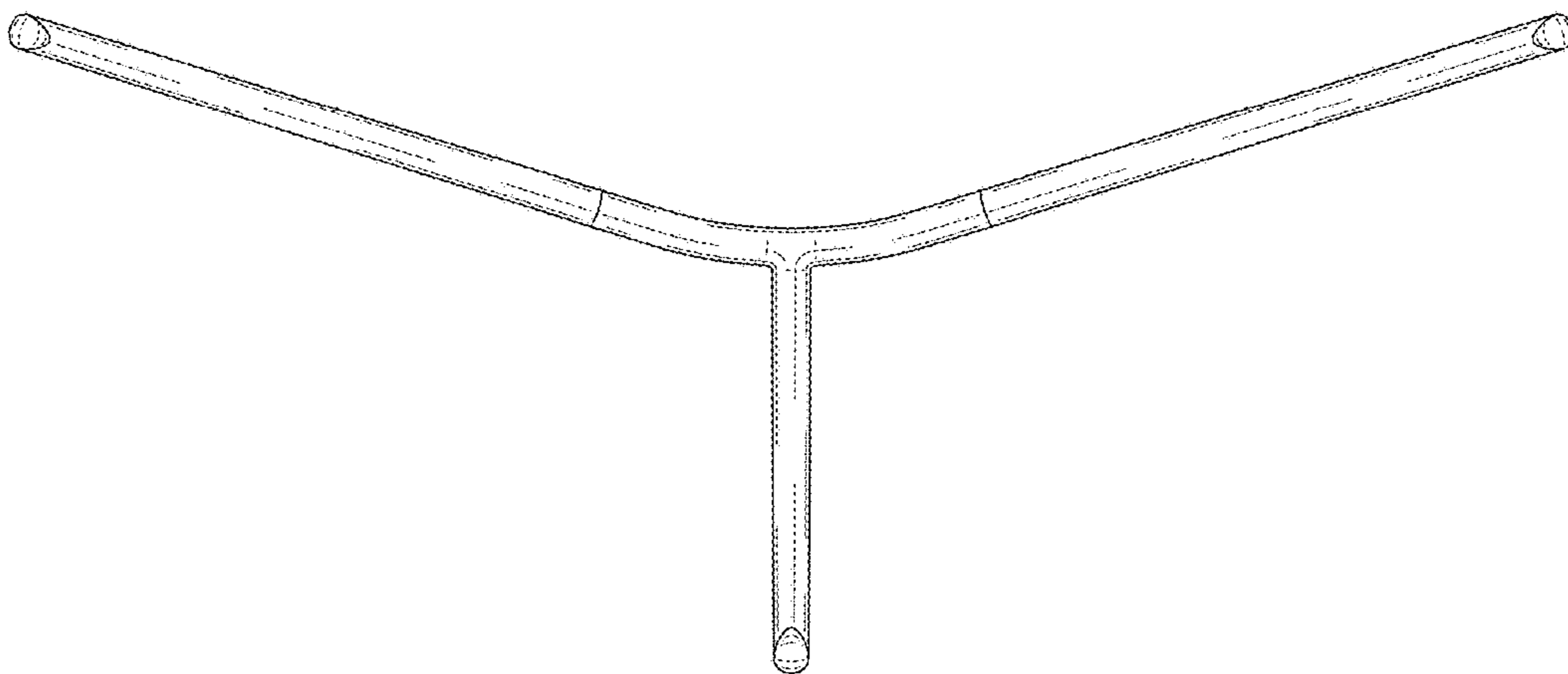


FIG. 8

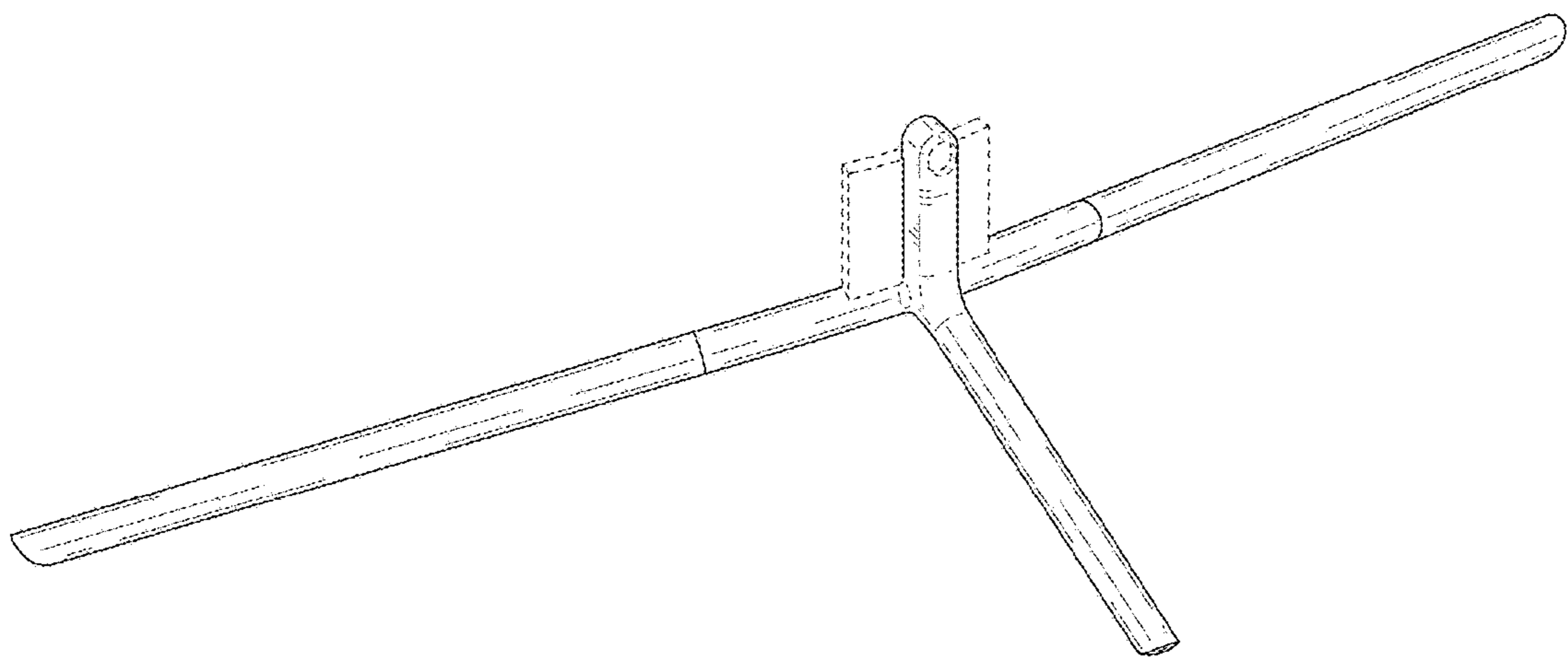


FIG. 9

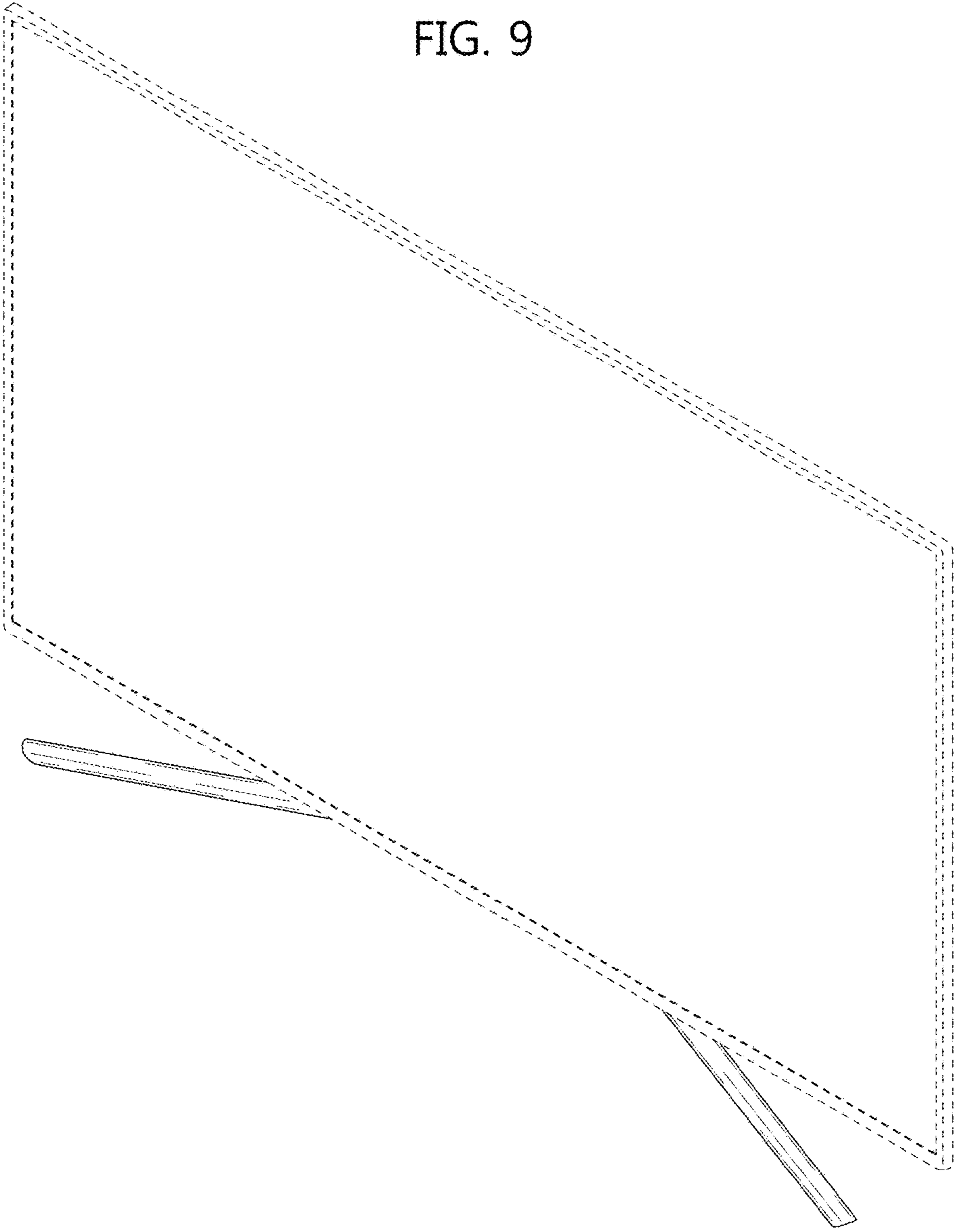


FIG. 10

