



US00D822669S

(12) **United States Design Patent** (10) **Patent No.:** **US D822,669 S**
Kwon et al. (45) **Date of Patent:** **** Jul. 10, 2018**

(54) **STAND FOR COMPUTER MONITOR**

A47B 88/044; A47B 2021/0335; H02G 3/126; F16B 47/00; F16B 47/006; A47G 1/17; A47K 2201/00

(71) Applicant: **Samsung Electronics Co., Ltd.**, Suwon-si (KR)

See application file for complete search history.

(72) Inventors: **Hansol Kwon**, Gwangmyeong-si (KR); **Taeyeon Won**, Seoul (KR)

(56) **References Cited**

(73) Assignee: **SAMSUNG ELECTRONICS CO., LTD.**, Suwon-si (KR)

U.S. PATENT DOCUMENTS

(**) Term: **15 Years**

D295,415 S *	4/1988	Thies	D14/452
D463,440 S *	9/2002	Oba	D14/447
D684,944 S *	6/2013	Seong	D14/126

(Continued)

(21) Appl. No.: **29/594,212**

Primary Examiner — Katie Jane Stofko

(22) Filed: **Feb. 16, 2017**

(74) *Attorney, Agent, or Firm* — McAndrews Held & Malloy, Ltd.

(30) **Foreign Application Priority Data**

Aug. 31, 2016 (KR) 30-2016-0042814

(51) **LOC (11) Cl.** **14-02**

(52) **U.S. Cl.**
USPC **D14/451**

(58) **Field of Classification Search**

USPC D14/371-382, 125-129, 335-337, D14/447-452, 492, 239, 457, 439-441, D14/432, 251-253; D8/349, 354, 363, D8/373, 376, 380; 348/180, 184, 325, 348/739, 825; D12/407, 415; D3/218; 341/12

CPC G06F 3/0412; G06F 3/016; G06F 3/0488; G06F 3/011; G06F 3/038; G06F 3/03543; G06F 3/0338; G06F 3/0202; G06F 3/0219; G06F 3/0213; G06F 1/1616; G06F 3/023; G06F 3/04883; G02F 1/13338; G02F 1/1313; G02F 1/1333; G02F 1/135; G02F 1/132; G02F 1/133308; G02F 1/134309; G02F 1/13718; G09G 3/3648; G06K 15/1252; B41J 2/465; G03F 7/70291; G02B 27/0172; G02B 5/30; G02B 2027/0118; G02B 27/0101; F16M 13/02; F16M 13/00; F16M 11/10; F16M 11/04; F16M 2200/08; F16M 11/2021; A47B 21/0314;

(57) **CLAIM**

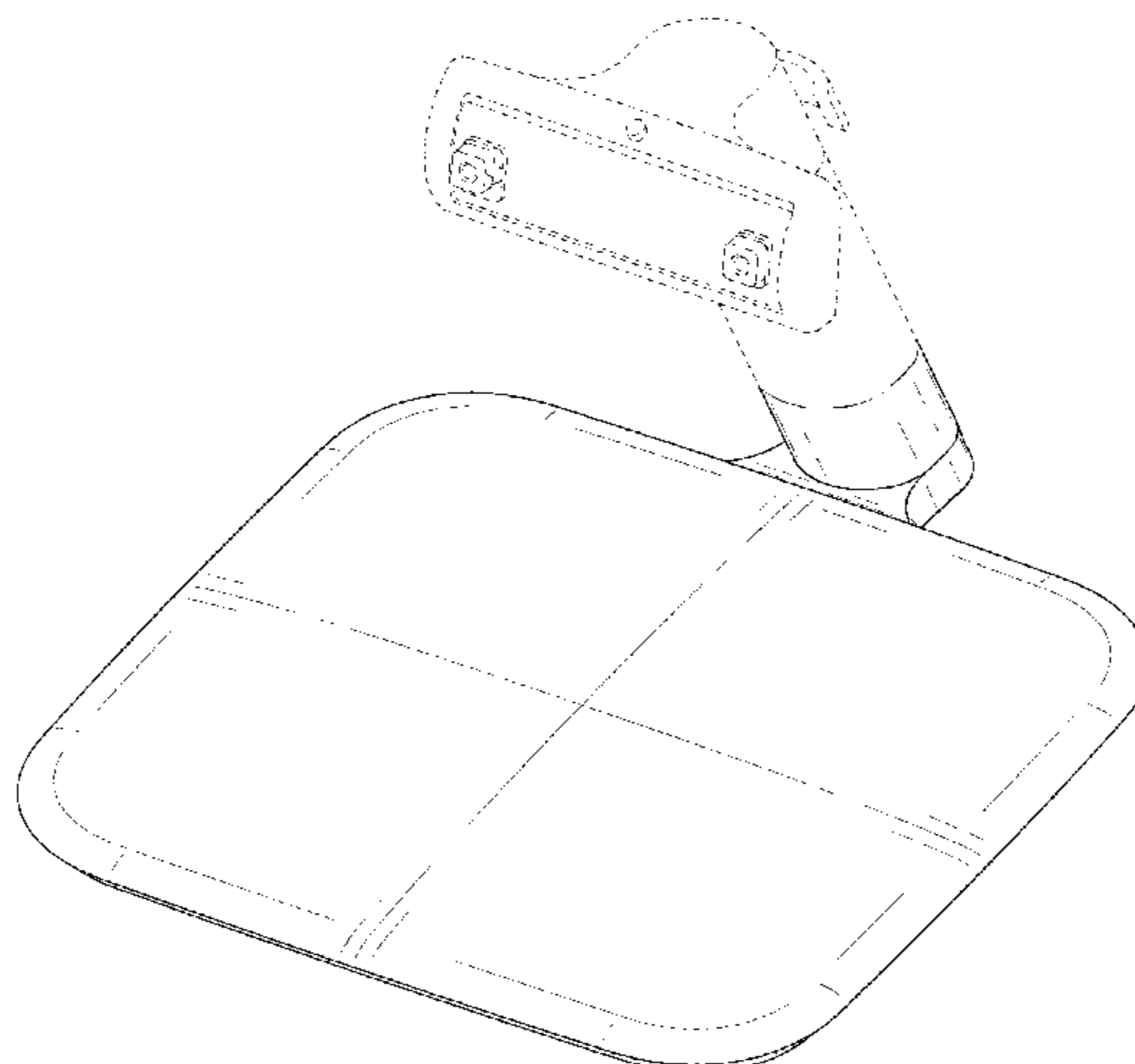
The ornamental design for a stand for computer monitor, as shown and described.

DESCRIPTION

FIG. 1 is a front perspective view of a stand for computer monitor showing our new design; FIG. 2 is a front elevation view thereof; FIG. 3 is a rear elevation view thereof; FIG. 4 is a left side elevation view thereof; FIG. 5 is a right side elevation view thereof; FIG. 6 is a top plan view thereof; FIG. 7 is a bottom plan view thereof; FIG. 8 is a rear perspective view thereof; and, FIG. 9 is a front perspective view thereof, shown in an environment of use.

The evenly-spaced broken lines shown in FIGS. 1-8 illustrate portions of the stand for monitor that form no part of the claimed design. The evenly-spaced broken lines in FIG. 9 illustrating a monitor are environment that form no part of the claimed design. The dash-dot broken lines in FIGS. 1-6 and 8 illustrate the boundary of the claimed design that forms no part thereof.

1 Claim, 9 Drawing Sheets



(56)

References Cited

U.S. PATENT DOCUMENTS

D688,672 S *	8/2013	Seo	D14/451
D703,631 S *	4/2014	Hallar	D14/126
D722,604 S *	2/2015	Woo	D14/448
D725,057 S *	3/2015	Seo	D14/126
D747,719 S *	1/2016	Won	D14/375
D749,082 S *	2/2016	Jung	D14/451
D757,021 S *	5/2016	Won	D14/451
D759,002 S *	6/2016	Won	D14/239
D760,723 S *	7/2016	Won	D14/447
D787,522 S *	5/2017	Lee	D14/451

* cited by examiner

FIG. 1

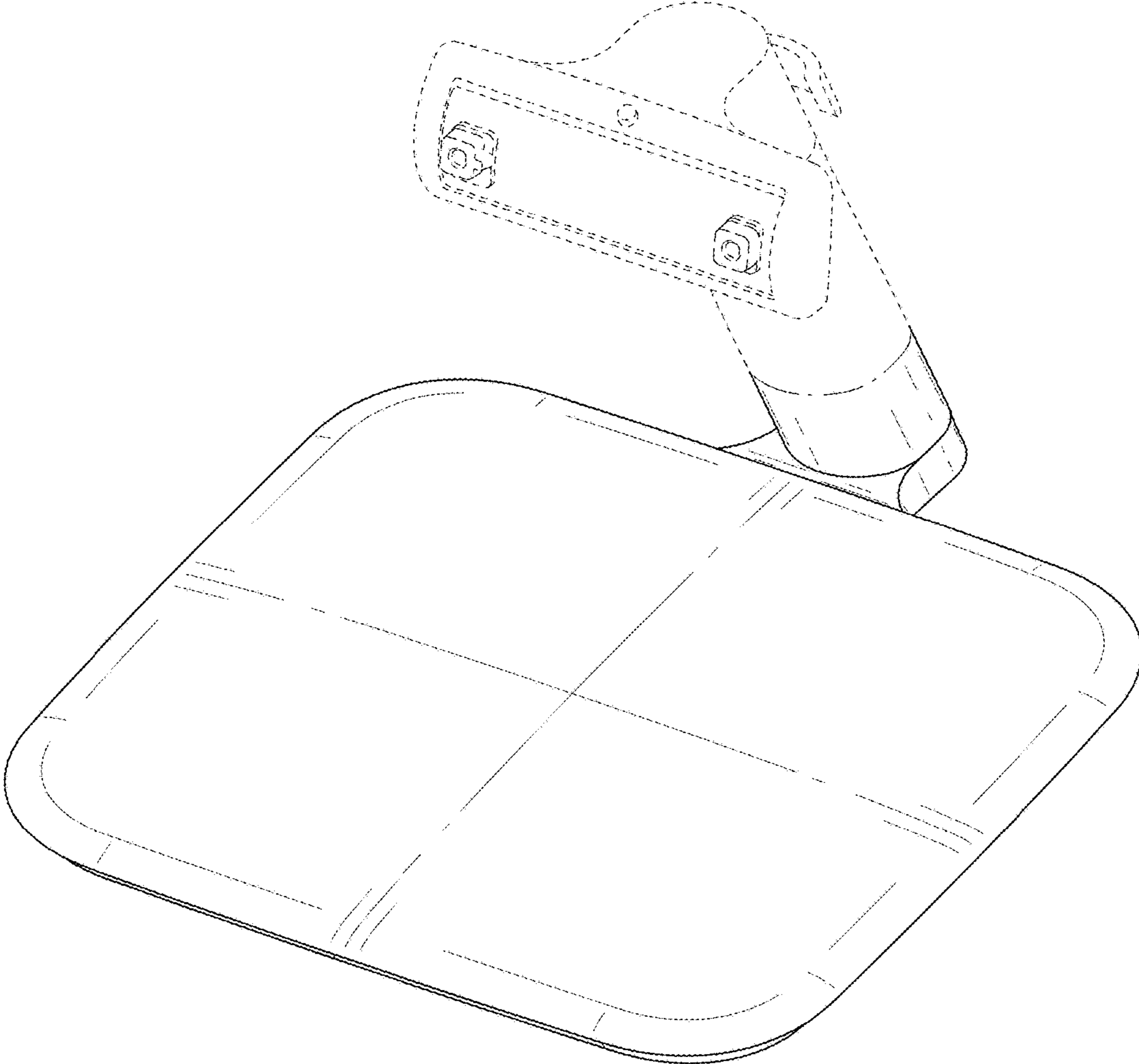


FIG. 2

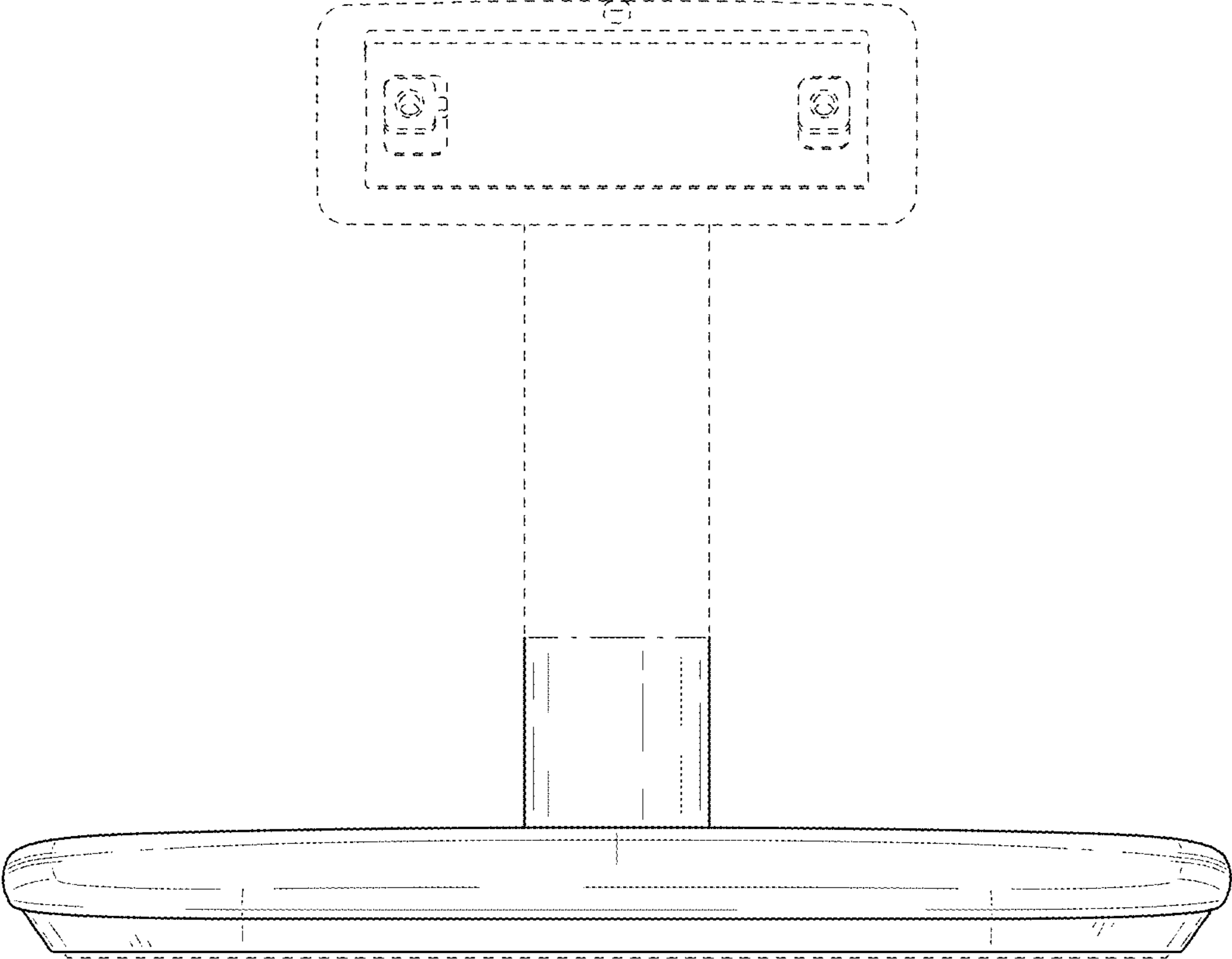


FIG. 3

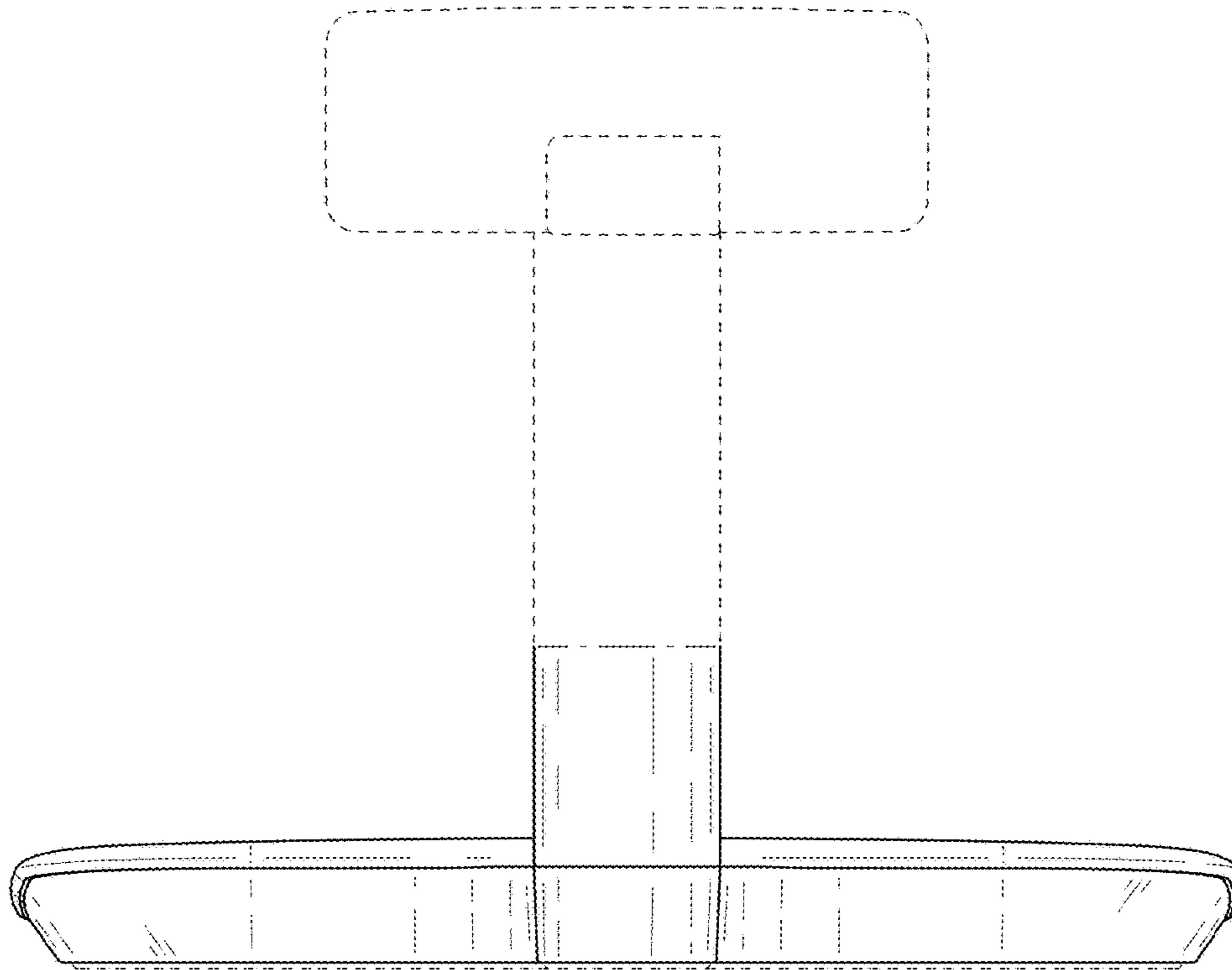


FIG. 4

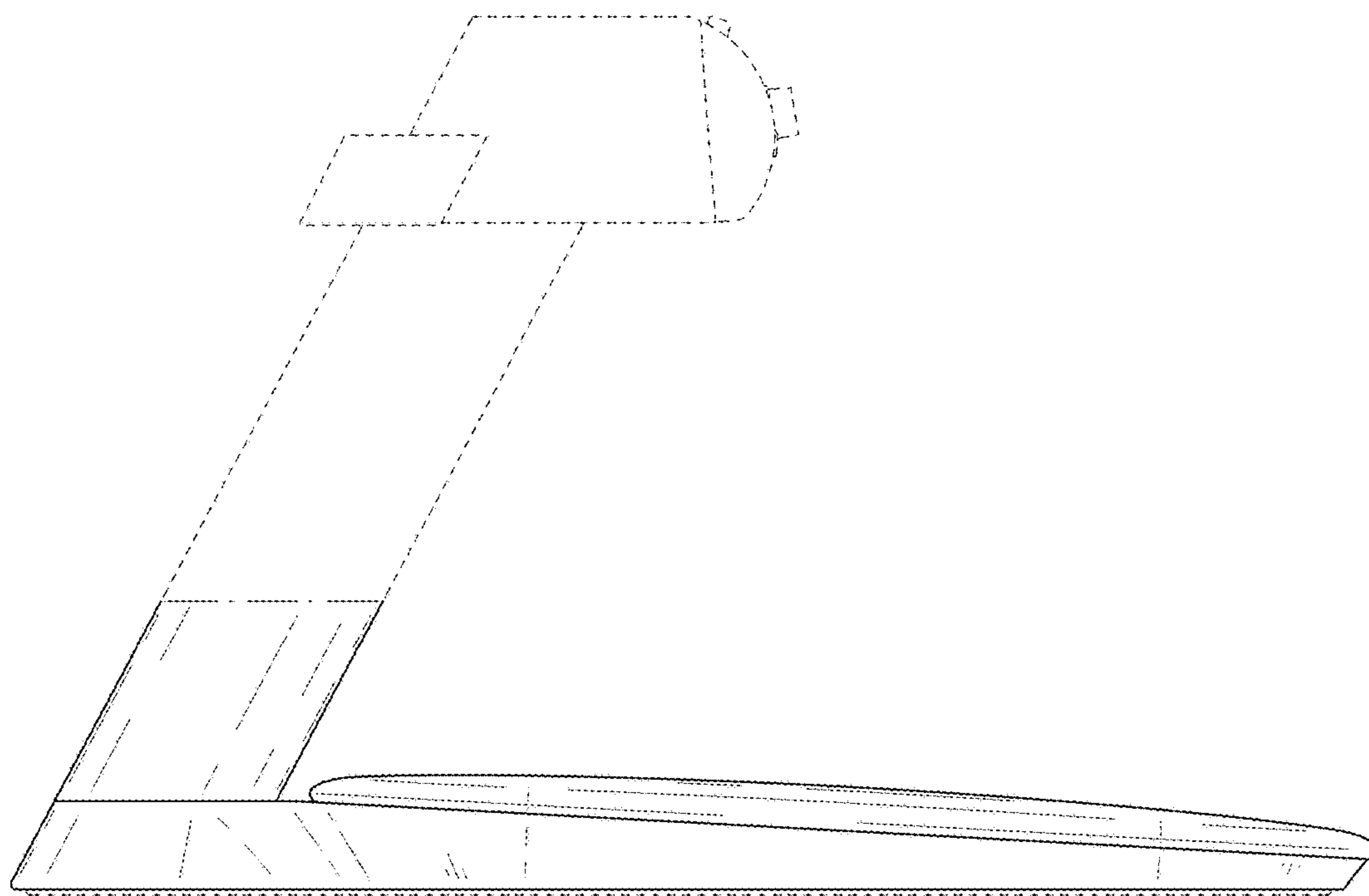


FIG. 5

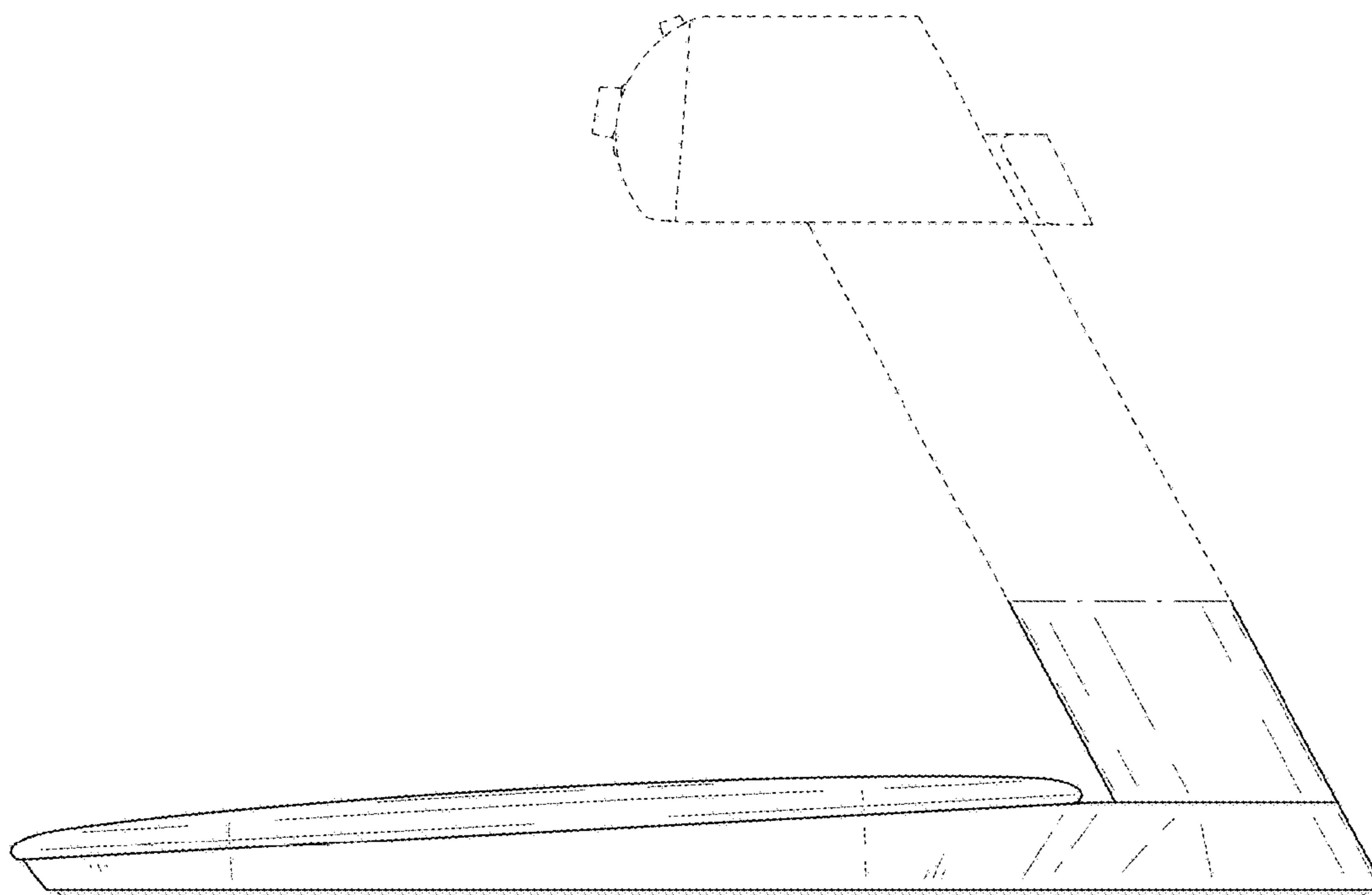


FIG. 6

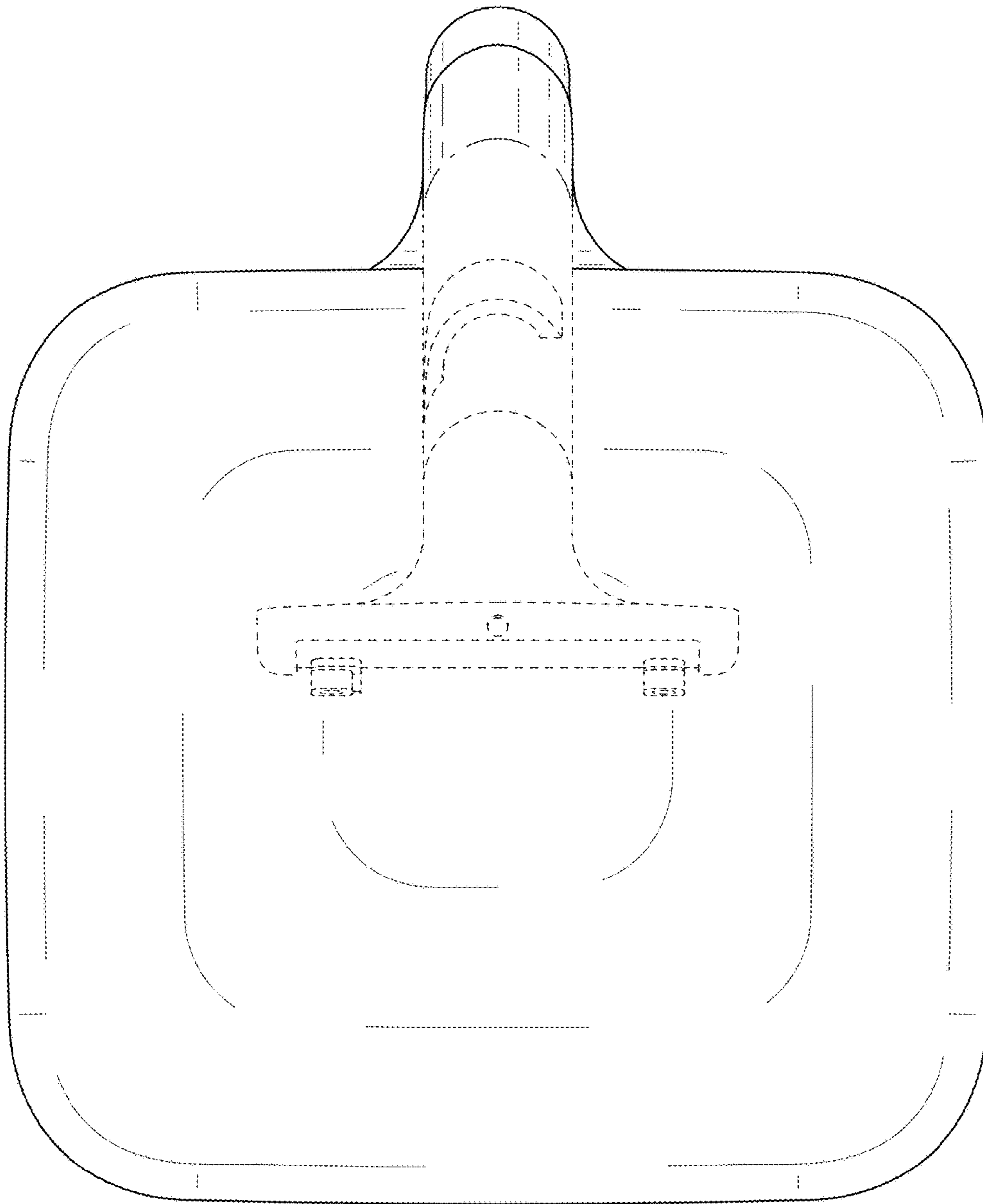


FIG. 7

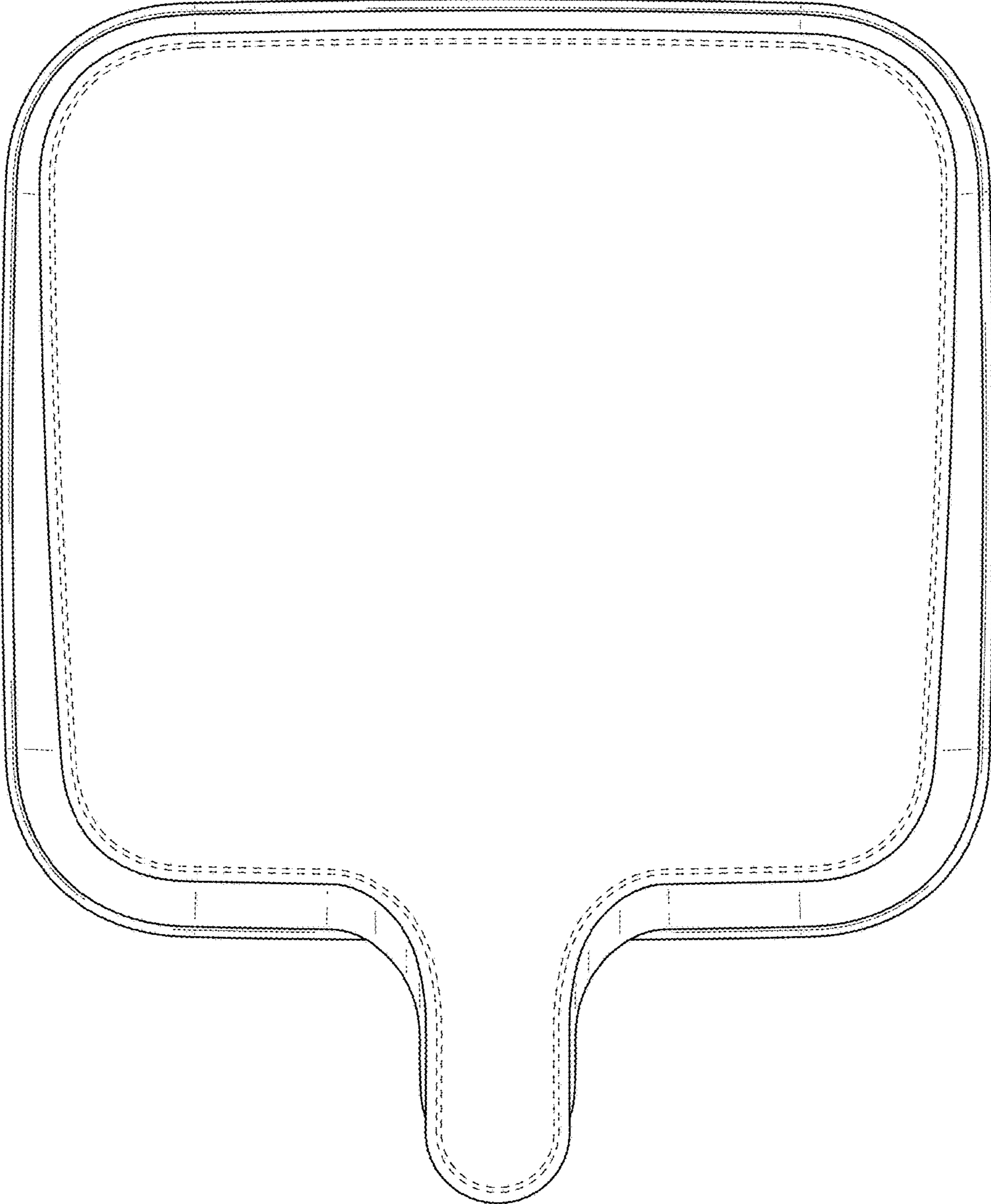


FIG. 8

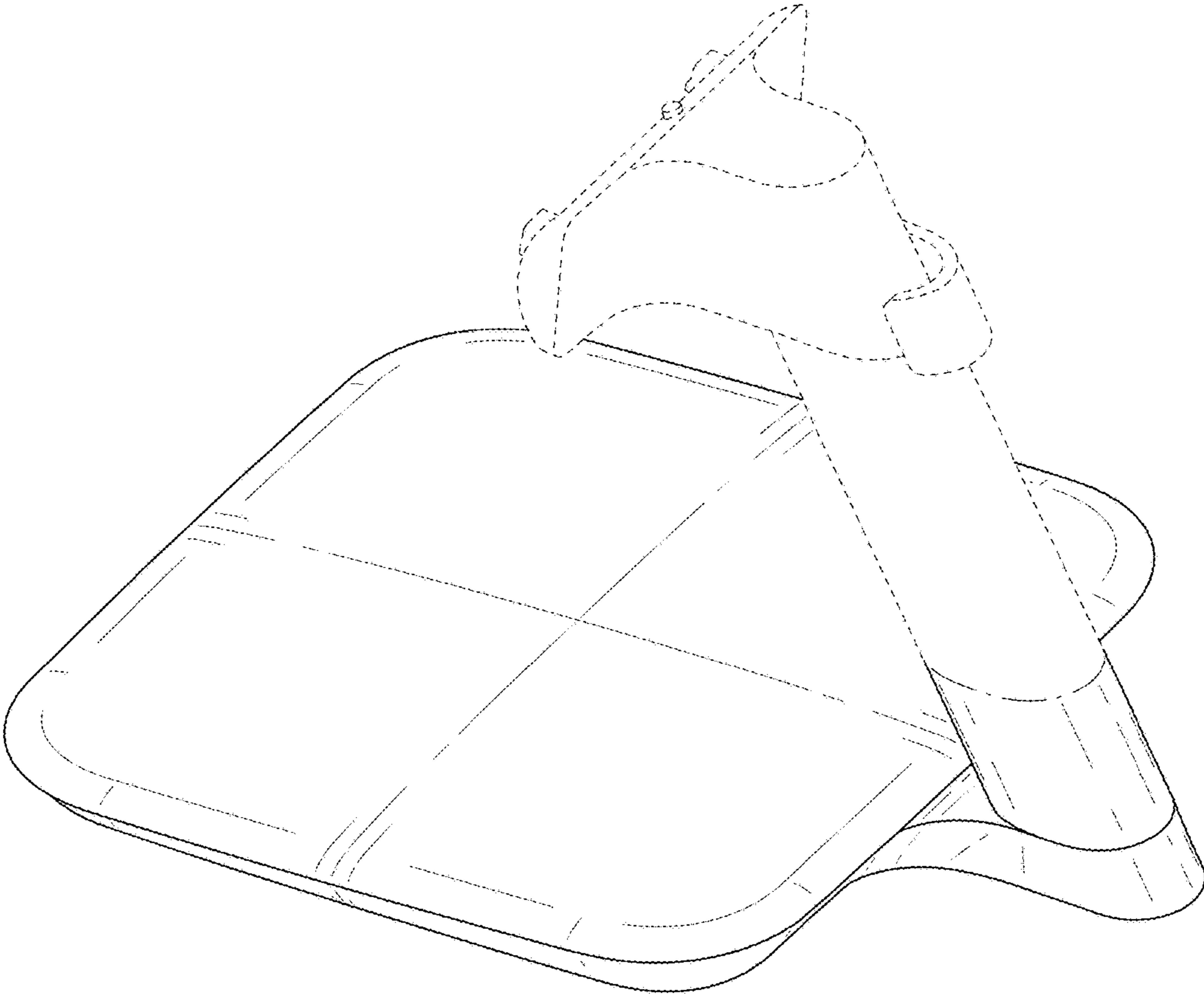


FIG. 9

