



US00D822667S

(12) **United States Design Patent**  
**Cai et al.**

(10) **Patent No.:** **US D822,667 S**  
(45) **Date of Patent:** **\*\* Jul. 10, 2018**

(54) **CONNECTOR**

A47B 88/044; A47B 2021/0335; H02G  
3/126; F16B 47/00; F16B 47/006; A47G  
1/17; A47K 2201/00

(71) Applicant: **ROE Visual Co., Ltd.**, Shenzhen,  
Guangdong (CN)

See application file for complete search history.

(72) Inventors: **Danhu Cai**, Guangdong (CN);  
**Zhanqiang Li**, Guangdong (CN); **Jun  
Li**, Guangdong (CN); **Hong Zhang**,  
Guangdong (CN)

(56) **References Cited**

U.S. PATENT DOCUMENTS

(73) Assignee: **ROE Visual Co., Ltd.**, Shenzhen (CN)

D448,950 S \* 10/2001 McIveen ..... D14/451  
D516,297 S \* 3/2006 Smith ..... D3/10  
D568,890 S \* 5/2008 Sculler ..... D14/451  
D642,183 S \* 7/2011 Chinuki ..... F16M 11/28  
D14/451  
D646,674 S \* 10/2011 Liao ..... D14/253

(\*\*) Term: **15 Years**

(Continued)

(21) Appl. No.: **29/585,202**

*Primary Examiner* — Katie Stofko

(22) Filed: **Nov. 21, 2016**

(57) **CLAIM**

(51) **LOC (11) Cl.** ..... **14-02**

The ornamental design for a connector, as shown and  
described.

(52) **U.S. Cl.**

USPC ..... **D14/451**

**DESCRIPTION**

(58) **Field of Classification Search**

USPC ..... D14/371-382, 125-129, 336, 337,  
D14/447-452, 492, 335, 239, 457,  
D14/439-441, 432, 251-253; D8/349,  
D8/354, 363, 373, 376, 380; D21/333;  
D12/415; D3/10, 218; 348/180, 184,  
348/325, 739, 825; 248/323, 278.1, 286.1  
CPC ..... G06F 3/0412; G06F 3/016; G06F 3/0488;  
G06F 3/011; G06F 3/038; G06F 3/03543;  
G06F 3/0338; G06F 3/0202; G06F  
3/0219; G06F 3/0213; G06F 1/1616;  
G06F 3/023; G06F 3/04883; G02F  
1/13338; G02F 1/1313; G02F 1/1333;  
G02F 1/135; G02F 1/132; G02F  
1/133308; G02F 1/134309; G02F  
1/13718; G09G 3/3648; G06K 15/1252;  
B41J 2/465; G03F 7/70291; G02B  
27/0172; G02B 5/30; G02B 2027/0118;  
G02B 27/0101; F16M 13/02; F16M  
13/00; F16M 11/10; F16M 11/04; F16M  
2200/08; F16M 11/2021; A47B 21/0314;

The patent or application file contains at least one drawing  
executed in color. Copies of this patent or patent application  
publication with color drawing(s) will be provided by the  
Office upon request and payment of the necessary fee.

FIG. 1 is a first perspective view of a connector showing our  
new design;

FIG. 2 is a second perspective view thereof;

FIG. 3 is a third perspective view thereof;

FIG. 4 is a fourth perspective view thereof;

FIG. 5 is a fifth perspective view thereof;

FIG. 6 is a sixth perspective view thereof;

FIG. 7 is a seventh perspective view thereof;

FIG. 8 is an eighth perspective view thereof;

FIG. 9 is a ninth perspective view thereof;

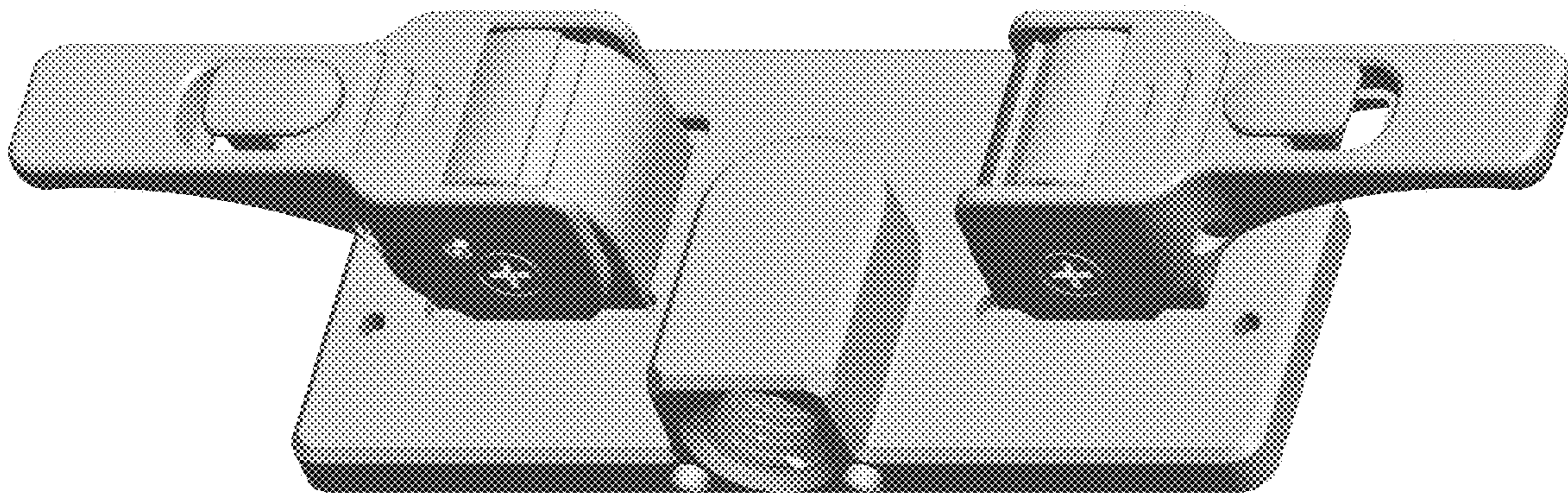
FIG. 10 is a tenth perspective view thereof;

FIG. 11 is an eleventh perspective view thereof;

FIG. 12 is a twelfth perspective view thereof; and,

FIG. 13 is a thirteenth perspective view thereof.

**1 Claim, 13 Drawing Sheets**  
**(13 of 13 Drawing Sheet(s) Filed in Color)**



(56)

**References Cited**

U.S. PATENT DOCUMENTS

D695,748 S \* 12/2013 Morris ..... D14/447  
D704,195 S \* 5/2014 Marquette ..... D14/447  
D712,394 S \* 9/2014 Booth ..... D14/253  
D732,817 S \* 6/2015 Elstow ..... D3/10  
D736,217 S \* 8/2015 Wang ..... D14/451  
D742,387 S \* 11/2015 Xiang ..... D14/447  
D757,705 S \* 5/2016 Esses ..... D14/251  
D782,462 S \* 3/2017 Huang ..... D14/253  
2011/0278885 A1 \* 11/2011 Procter ..... B60R 11/0235  
297/135  
2015/0192155 A1 \* 7/2015 Chen ..... H04N 5/2251  
348/376  
2015/0230351 A1 \* 8/2015 Yeo ..... F16B 2/12  
248/205.5  
2016/0014243 A1 \* 1/2016 Snowden ..... B60R 11/0241  
455/575.1

\* cited by examiner

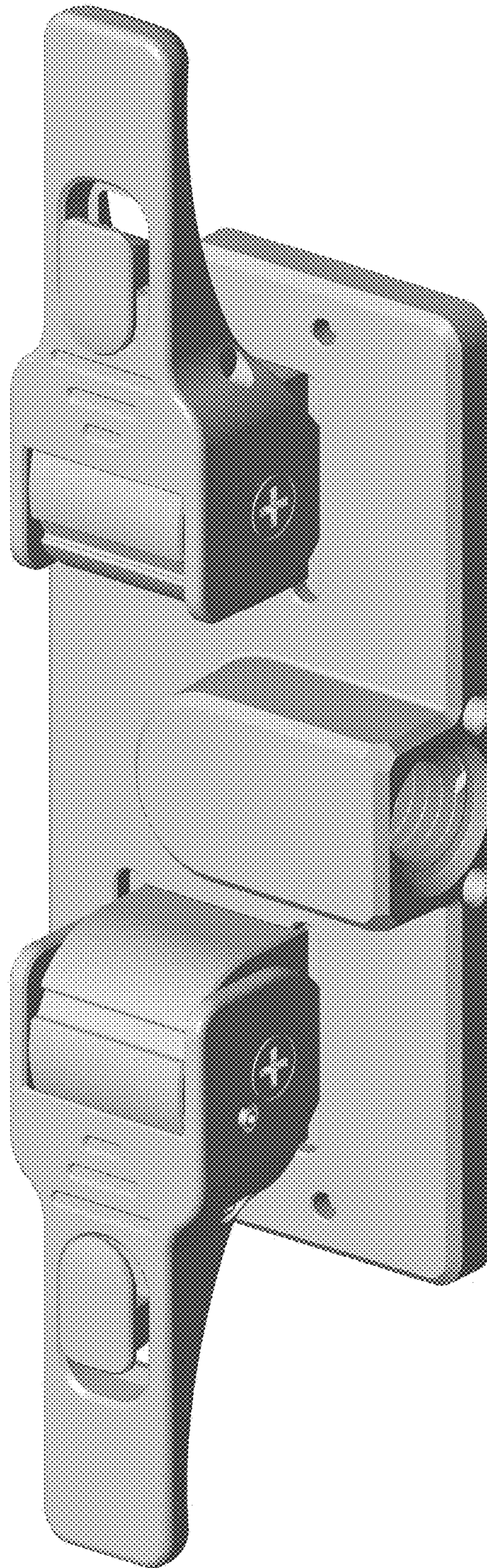


Fig. 1

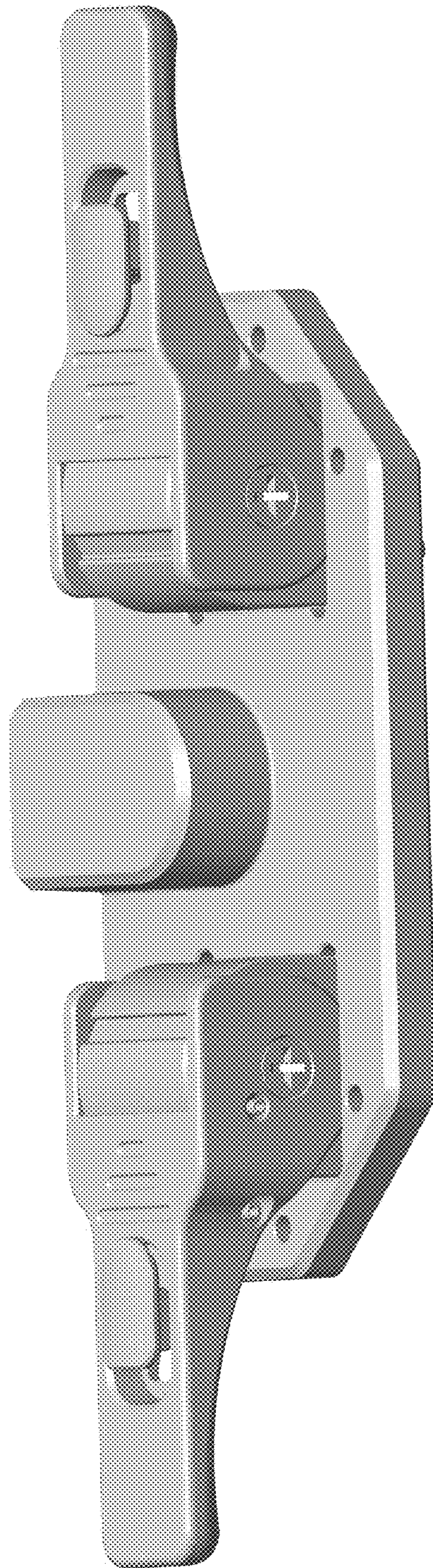


Fig. 2



FIG. 3

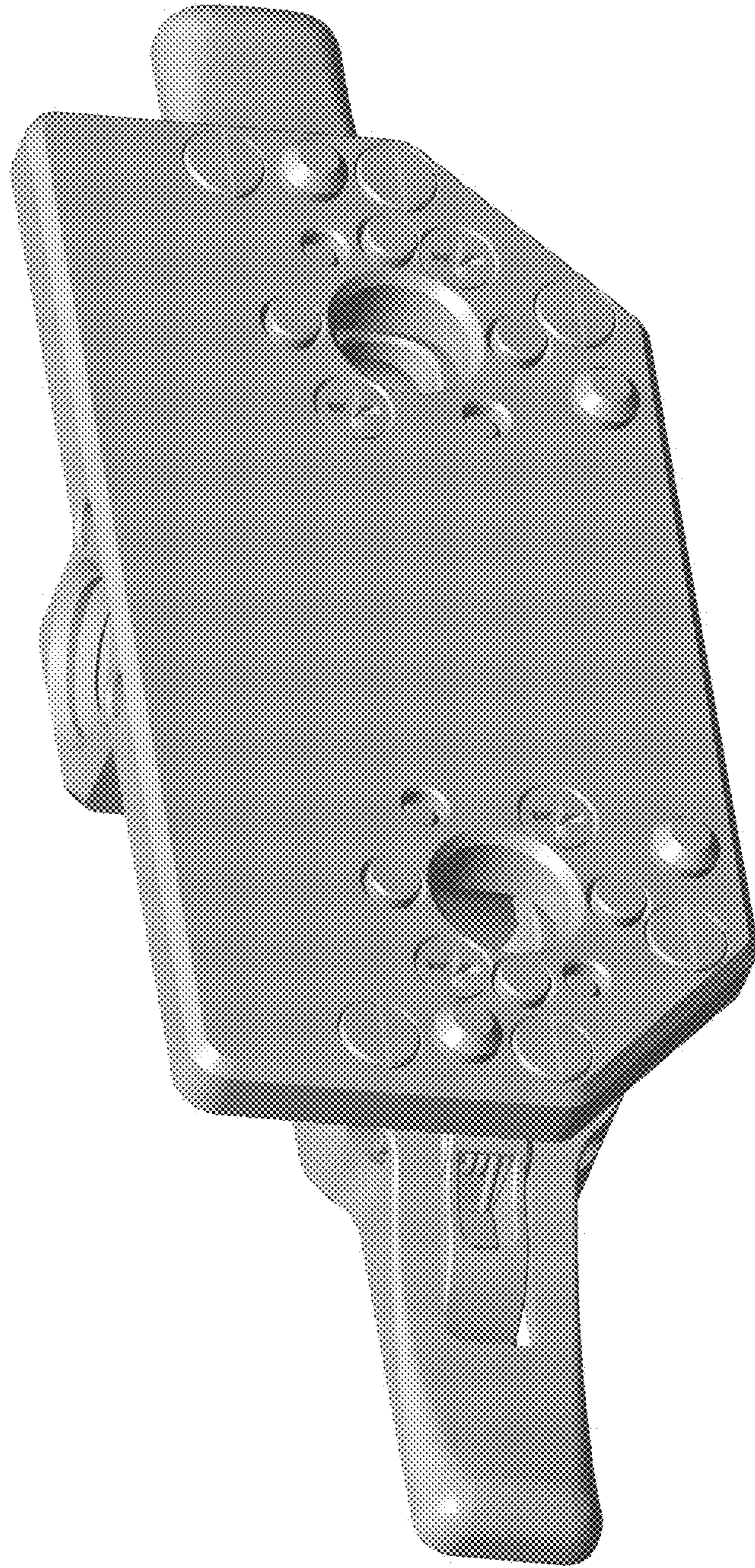


Fig. 4

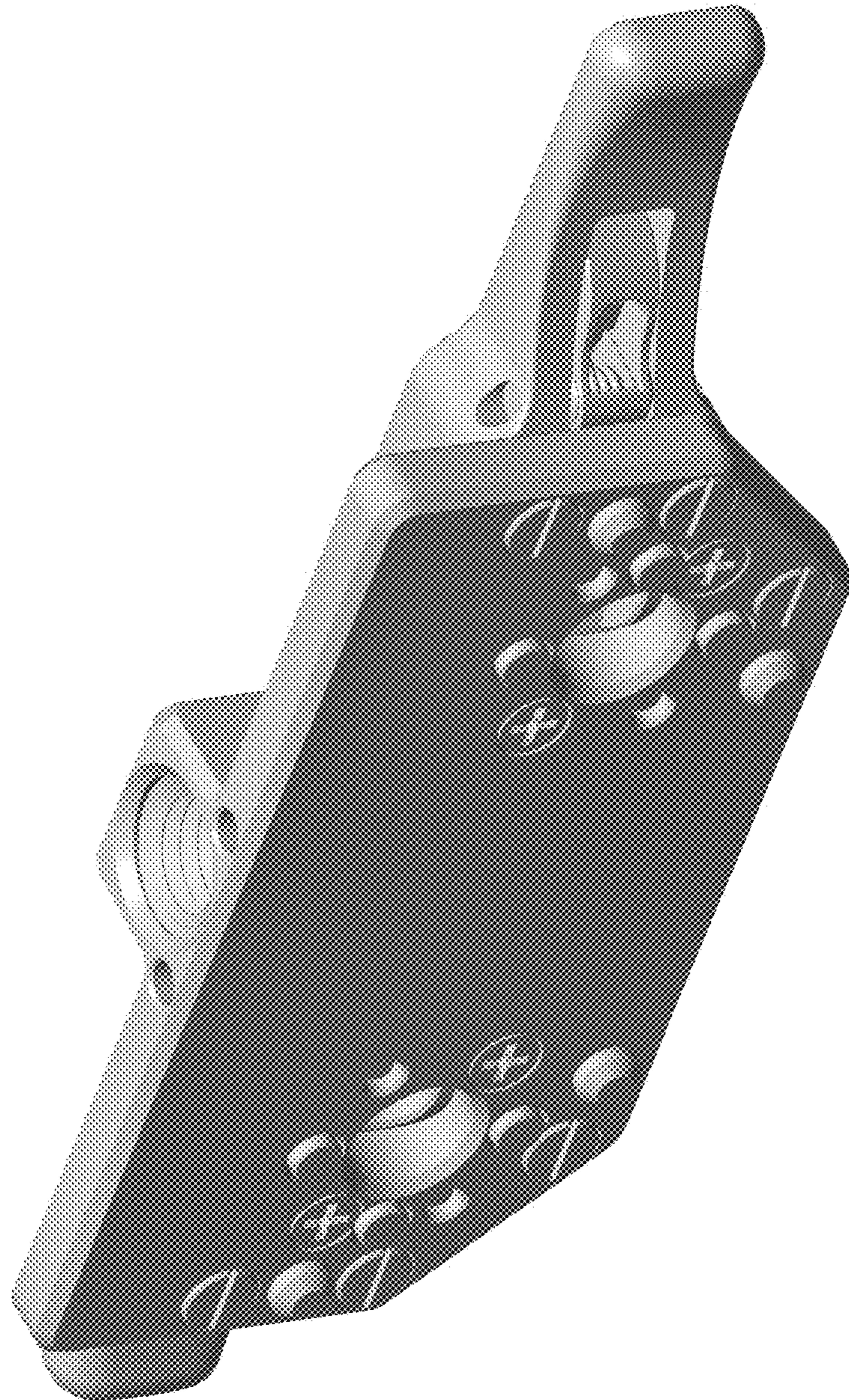


FIG. 5

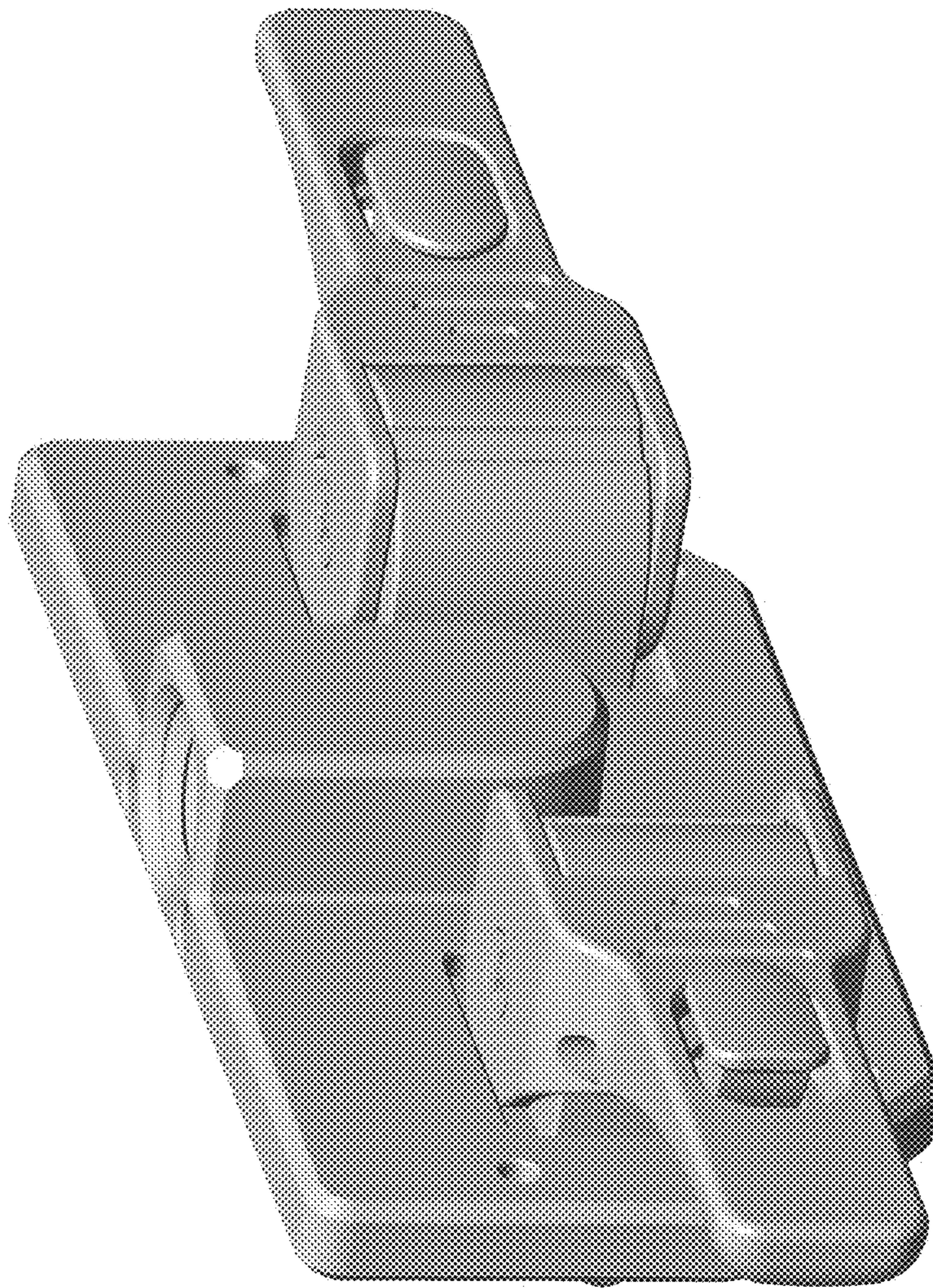


Fig. 6



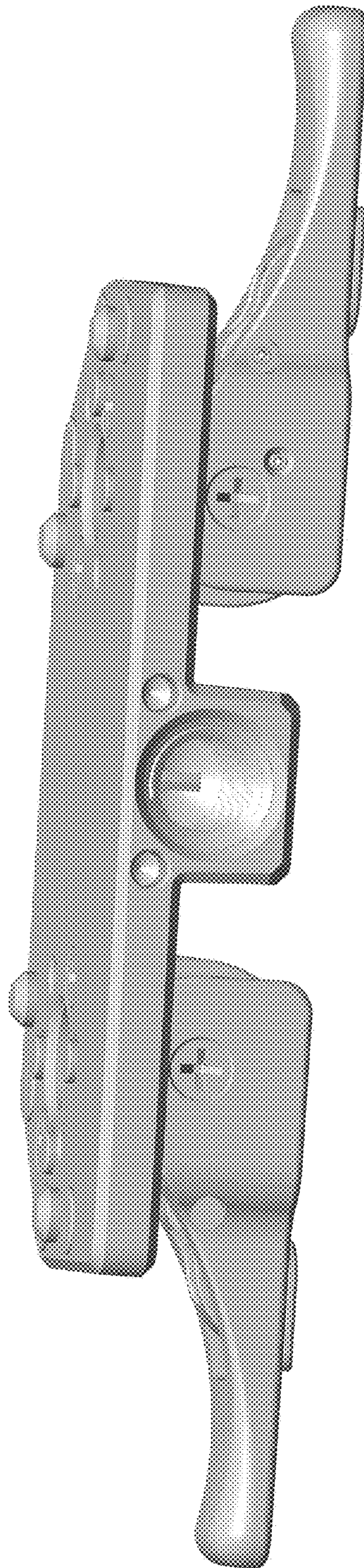


Fig. 7

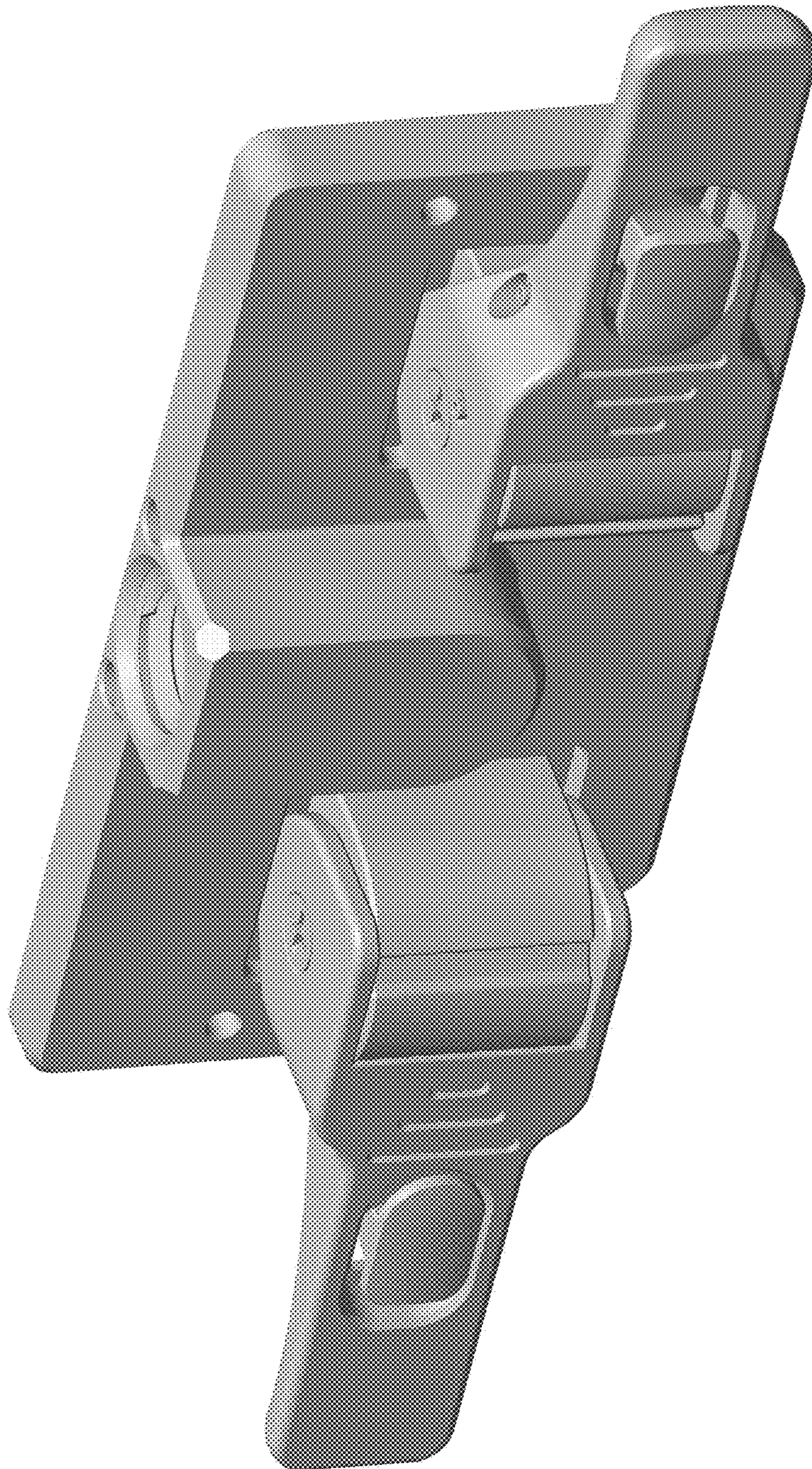


Fig. 8

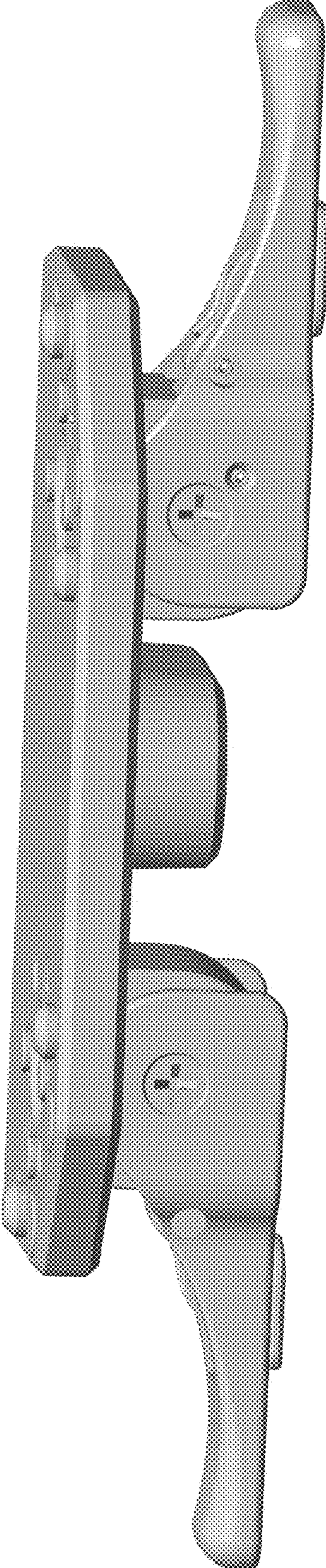


Fig. 9

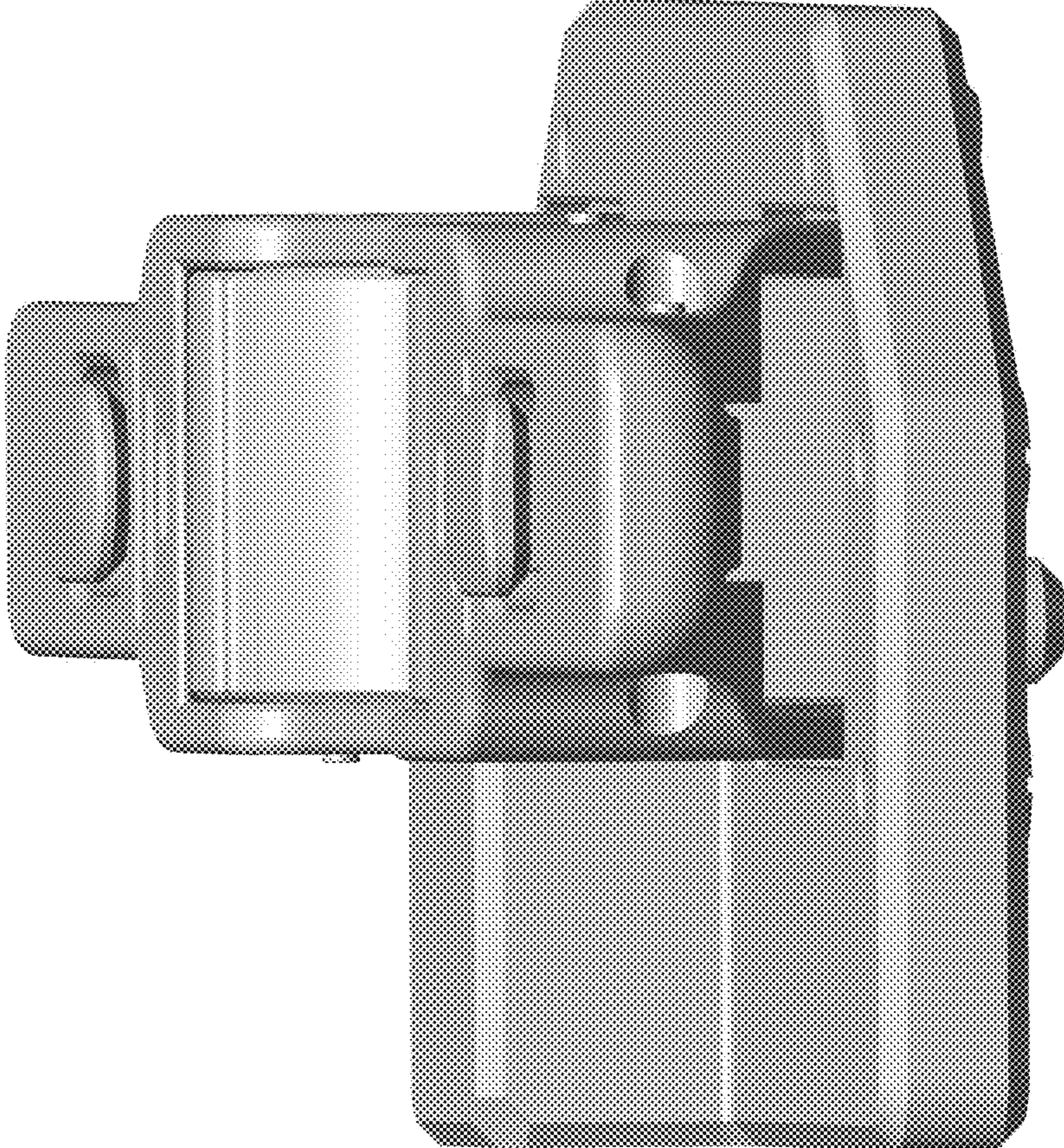


Fig. 10

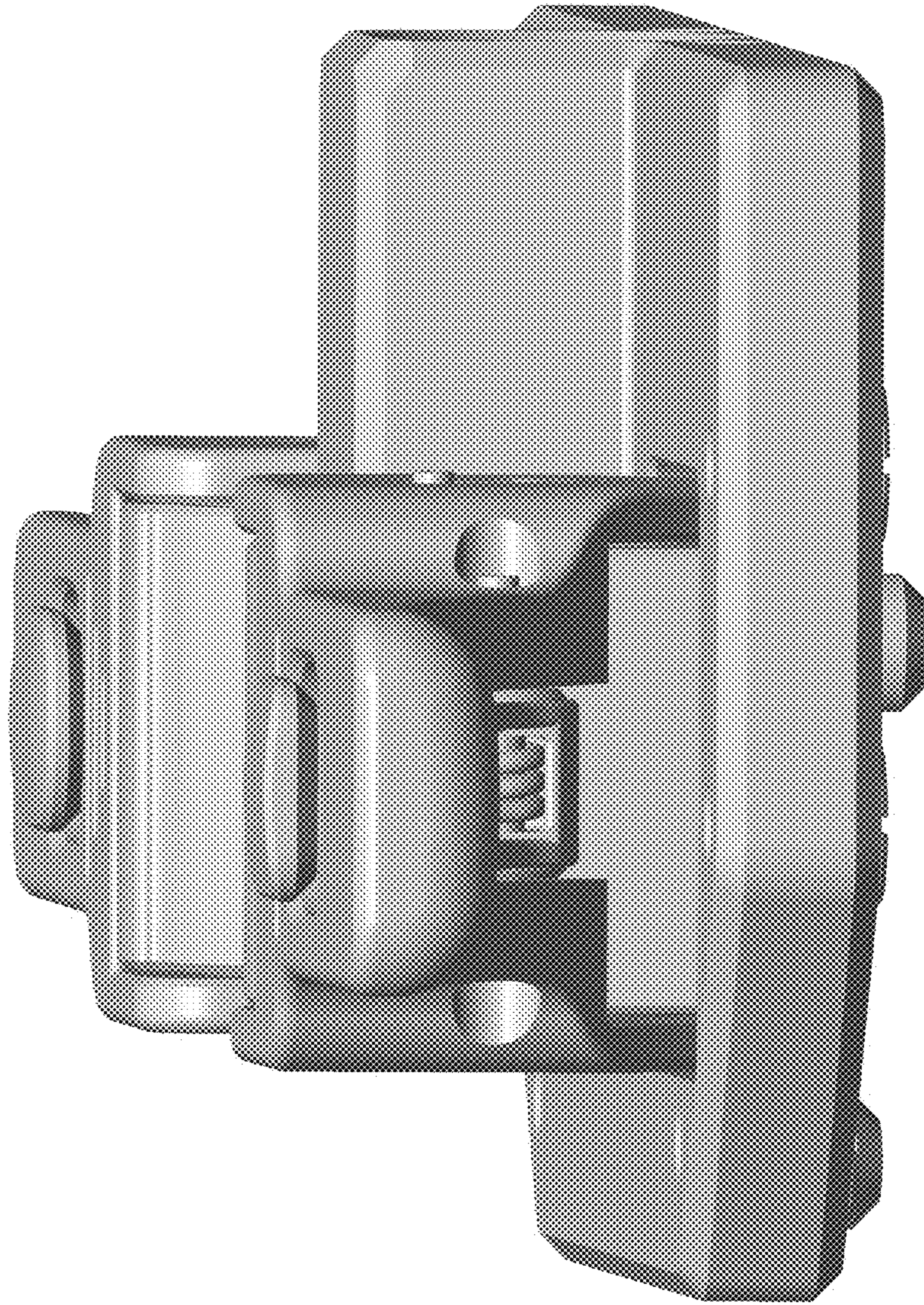


Fig. 11

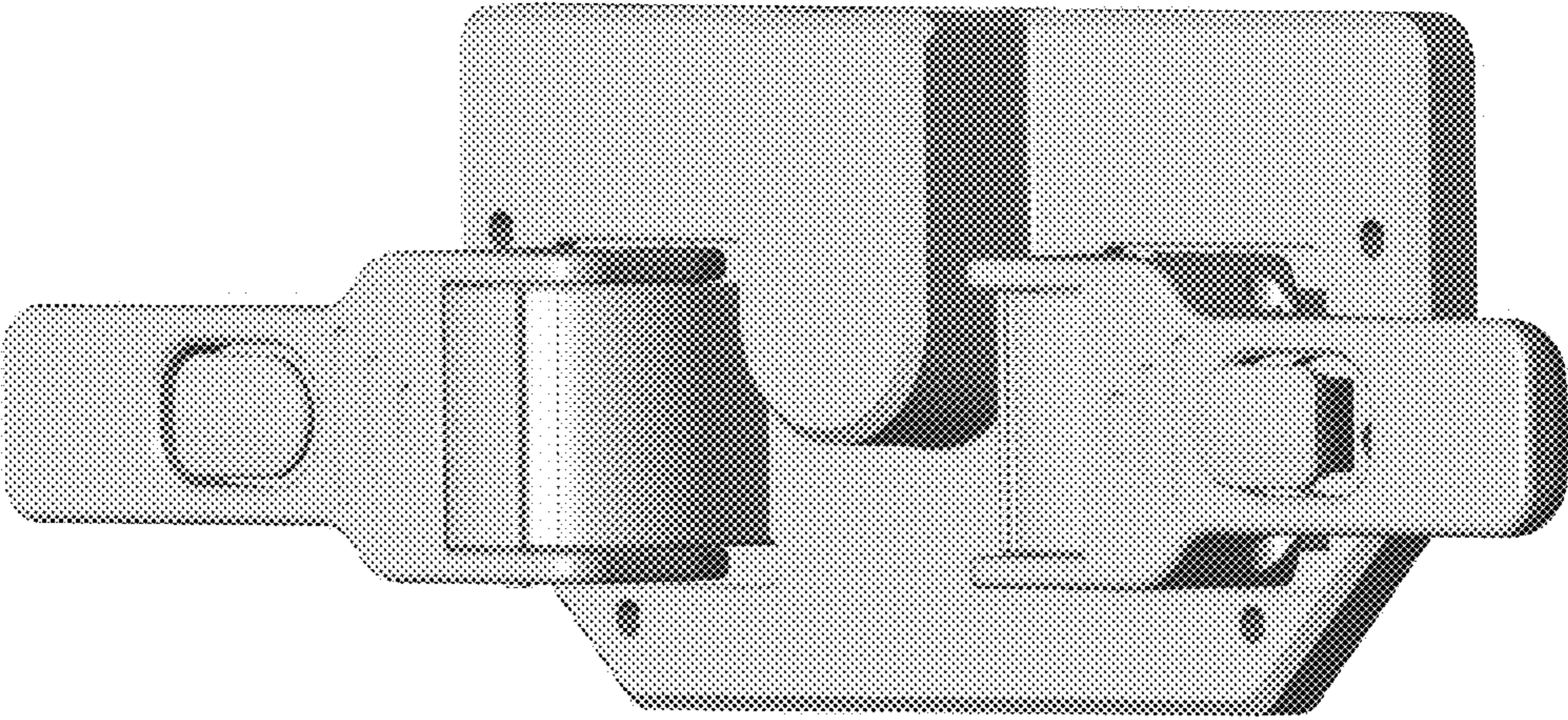


Fig. 12

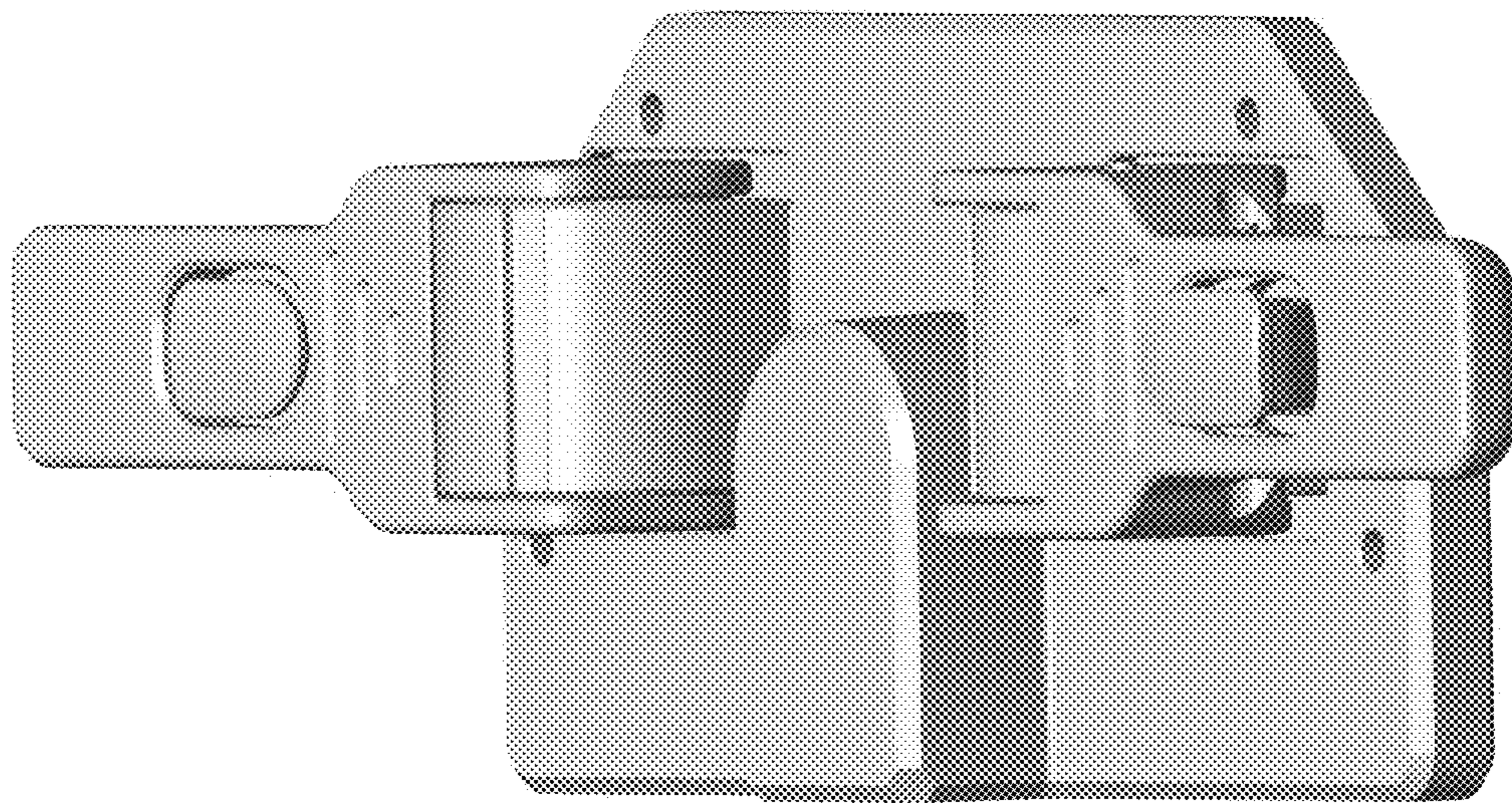


Fig. 13