



US00D822666S

(12) **United States Design Patent**
Cai et al.

(10) **Patent No.:** **US D822,666 S**
(45) **Date of Patent:** **** Jul. 10, 2018**

(54) **CONNECTOR**

A47B 2021/0335; H02G 3/126; F16B
47/00; F16B 47/006; A47G 1/17; A47K
2201/00

(71) Applicant: **ROE Visual Co., Ltd.**, Shenzhen,
Guangdong (CN)

See application file for complete search history.

(72) Inventors: **Danhu Cai**, Guangdong (CN);
Zhanqiang Li, Guangdong (CN); **Jun
Li**, Guangdong (CN); **Hong Zhang**,
Guangdong (CN)

(56) **References Cited**

U.S. PATENT DOCUMENTS

(73) Assignee: **ROE Visual Co., Ltd.**, Shenzhen (CN)

(**) Term: **15 Years**

(21) Appl. No.: **29/585,201**

(22) Filed: **Nov. 21, 2016**

(51) **LOC (11) Cl.** **14-02**

(52) **U.S. Cl.**
USPC **D14/451**

(58) **Field of Classification Search**
USPC D14/371-382, 125-129, 336, 337,
D14/447-452, 492, 335, 239, 457,
D14/439-441, 432, 251-253; D8/349,
D8/354, 363, 373, 376, 380; D21/333;
D12/415; D3/10, 218; 348/180, 184,
348/325, 739, 825; 248/323, 278.1, 286.1
CPC G06F 3/0412; G06F 3/016; G06F 3/0488;
G06F 3/011; G06F 3/038; G06F 3/03543;
G06F 3/0338; G06F 3/0202; G06F
3/0219; G06F 3/0213; G06F 1/1616;
G06F 3/023; G06F 3/04883; G02F
1/13338; G02F 1/1313; G02F 1/1333;
G02F 1/135; G02F 1/132; G02F
1/133308; G02F 1/134309; G02F
1/13718; G09G 3/3648; G06K 15/1252;
G03F 7/70291; G02B 27/0172; G02B
5/30; G02B 2027/0118; G02B 27/0101;
F16M 13/02; F16M 13/00; F16M 11/10;
F16M 11/04; F16M 2200/08; F16M
11/2021; A47B 21/0314; A47B 88/044;

D448,950 S * 10/2001 McIveen D14/451
D516,297 S * 3/2006 Smith D3/10
D568,890 S * 5/2008 Sculler D14/451
D642,183 S * 7/2011 Chinuki F16M 11/28
D14/451
D646,674 S * 10/2011 Liao D14/253
D695,748 S * 12/2013 Morris D14/447
D704,195 S * 5/2014 Marquette D14/447
D712,394 S * 9/2014 Booth D14/253
D732,817 S * 6/2015 Elstow D3/10
D736,217 S * 8/2015 Wang D14/451

(Continued)

Primary Examiner — Katie Stofko

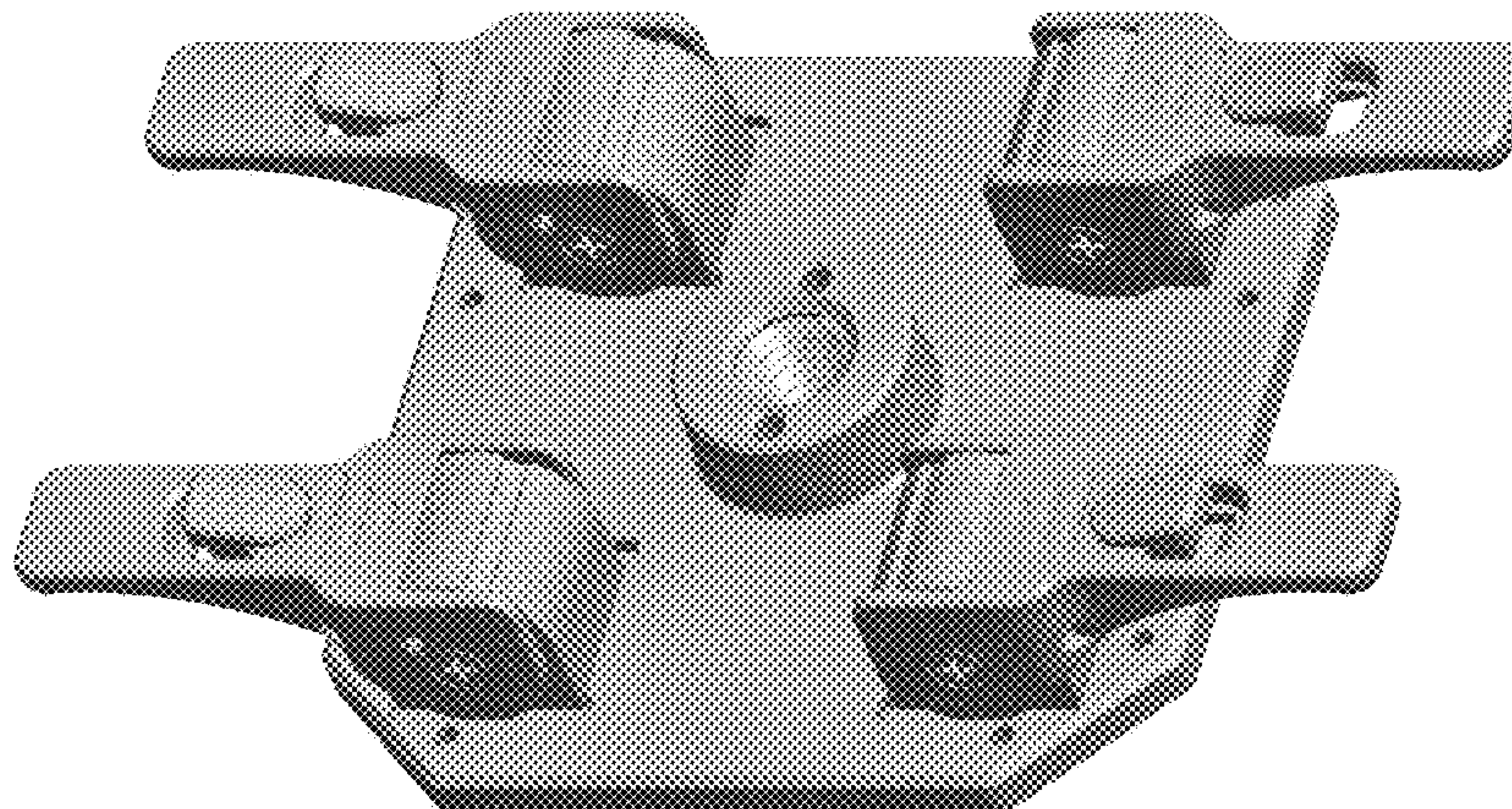
(57) **CLAIM**

The ornamental design for a connector, as shown and described.

DESCRIPTION

FIG. 1 is a first perspective view of a connector showing our new design;
FIG. 2 is a second perspective view thereof;
FIG. 3 is a third perspective view thereof;
FIG. 4 is a fourth perspective view thereof;
FIG. 5 is a fifth perspective view thereof;
FIG. 6 is a sixth perspective view thereof;
FIG. 7 is a seventh perspective view thereof;
FIG. 8 is an eighth perspective view thereof;
FIG. 9 is a top plan view thereof;
FIG. 10 is a ninth perspective view thereof;
FIG. 11 is a tenth perspective view thereof;
FIG. 12 is a front elevation view thereof;
FIG. 13 is an eleventh perspective view thereof; and,
FIG. 14 is a twelfth perspective view thereof.

1 Claim, 14 Drawing Sheets



(56)

References Cited

U.S. PATENT DOCUMENTS

D742,387 S * 11/2015 Xiang D14/447
D757,705 S * 5/2016 Esses D14/251
D782,462 S * 3/2017 Huang D14/253
2011/0278885 A1* 11/2011 Procter B60R 11/0235
297/135
2015/0192155 A1* 7/2015 Chen H04N 5/2251
348/376
2015/0230351 A1* 8/2015 Yeo F16B 2/12
248/205.5
2016/0014243 A1* 1/2016 Snowden B60R 11/0241
455/575.1

* cited by examiner

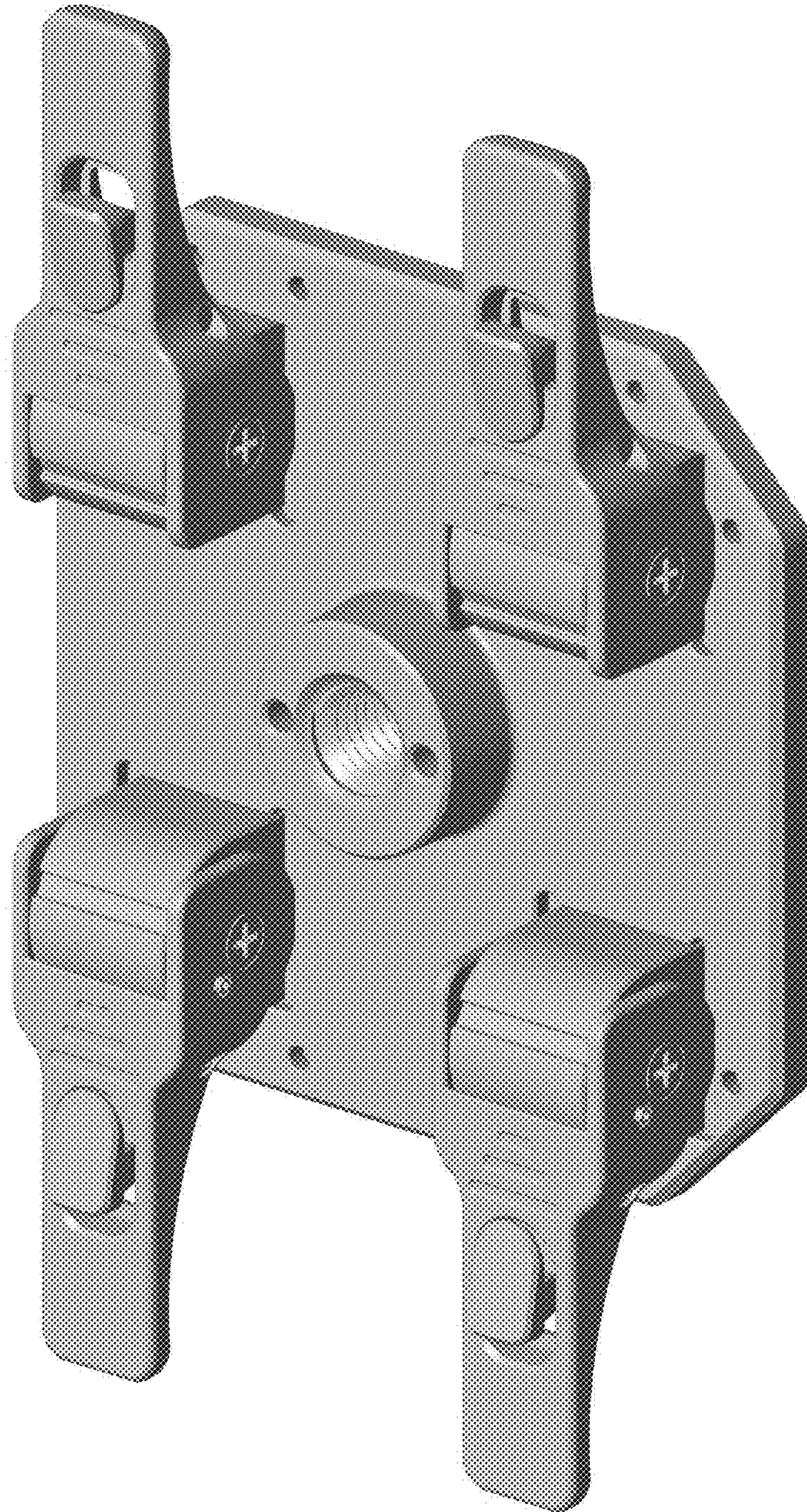


Fig. 1

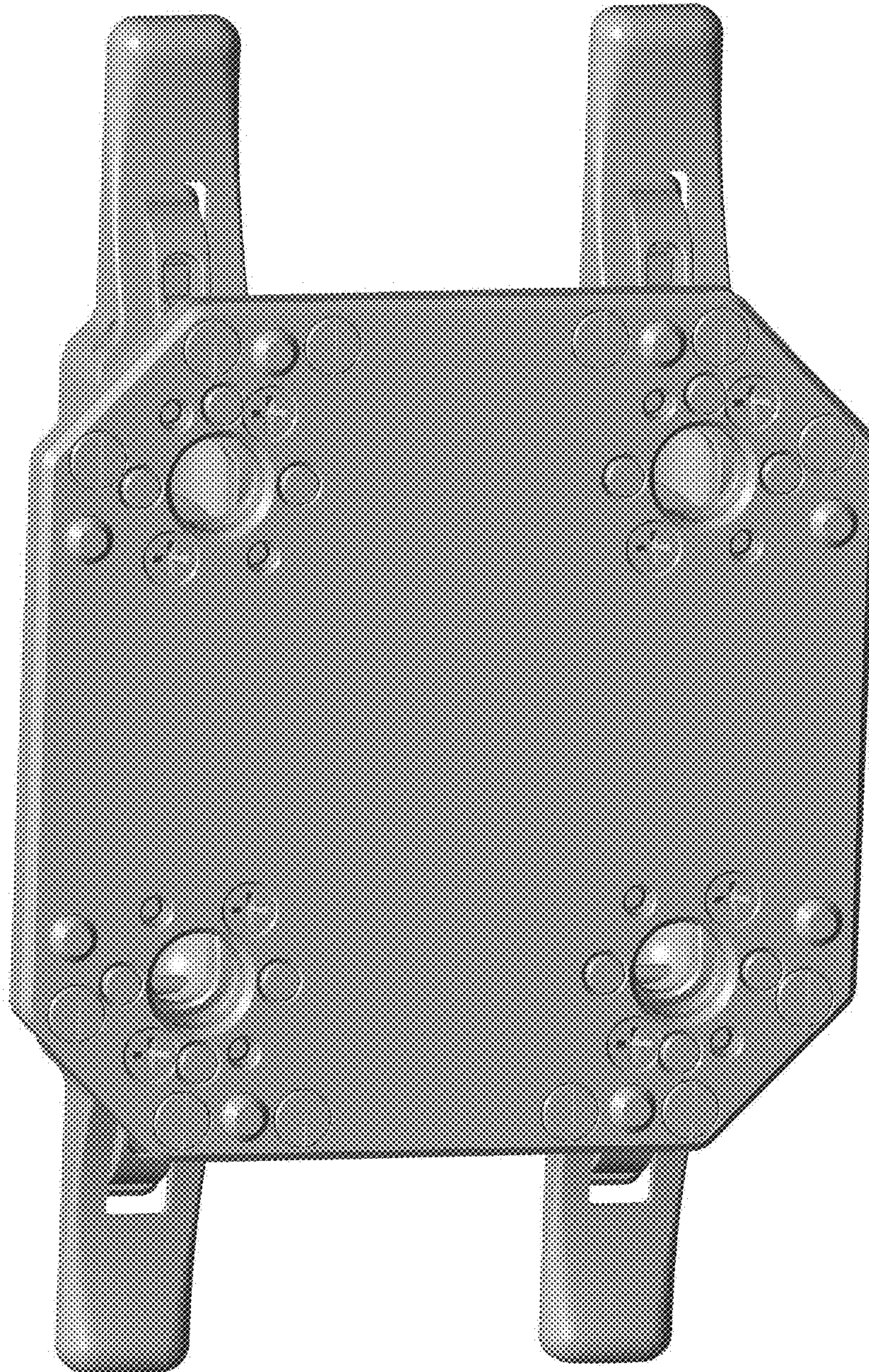


Fig. 2

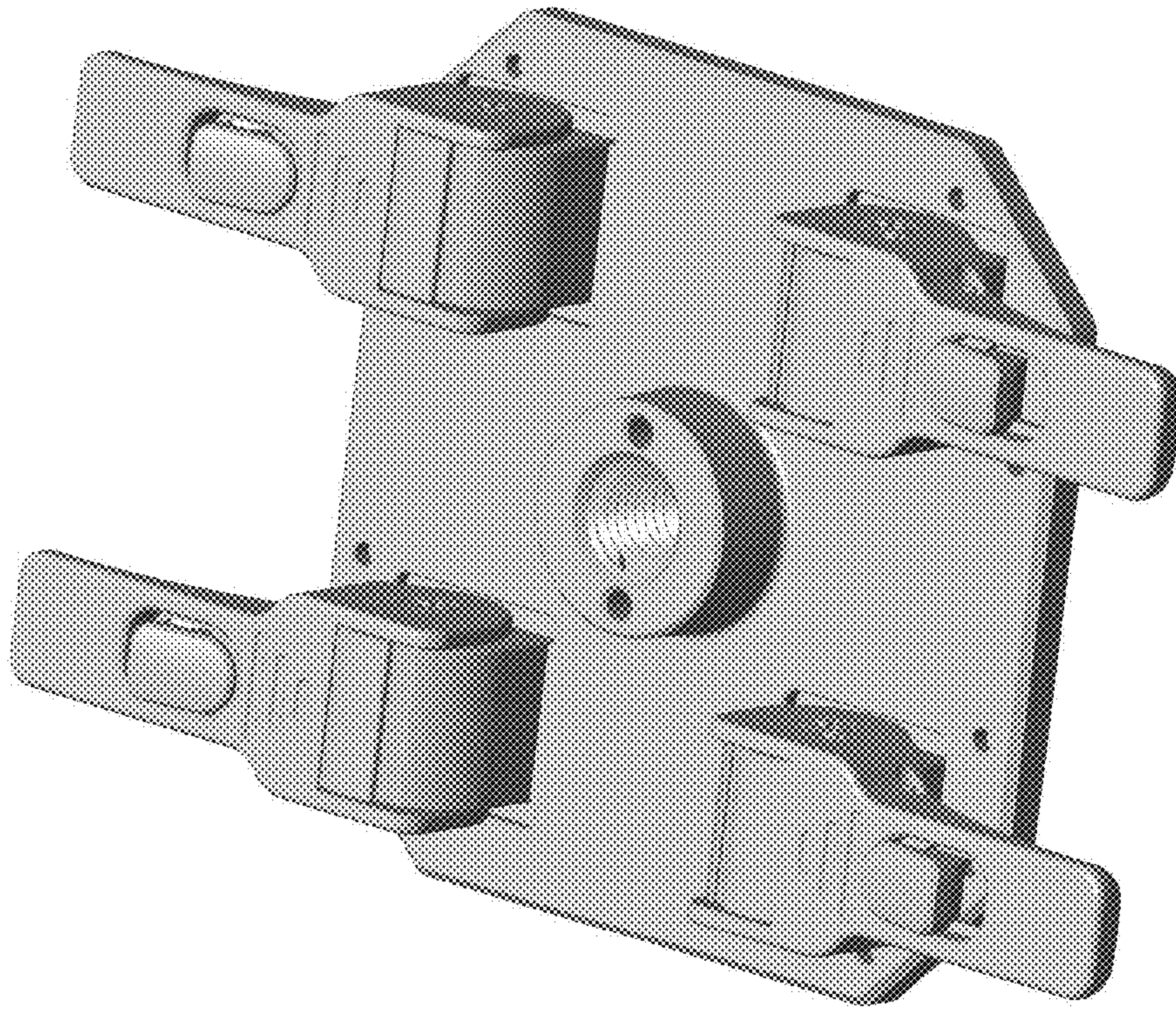


Fig. 3

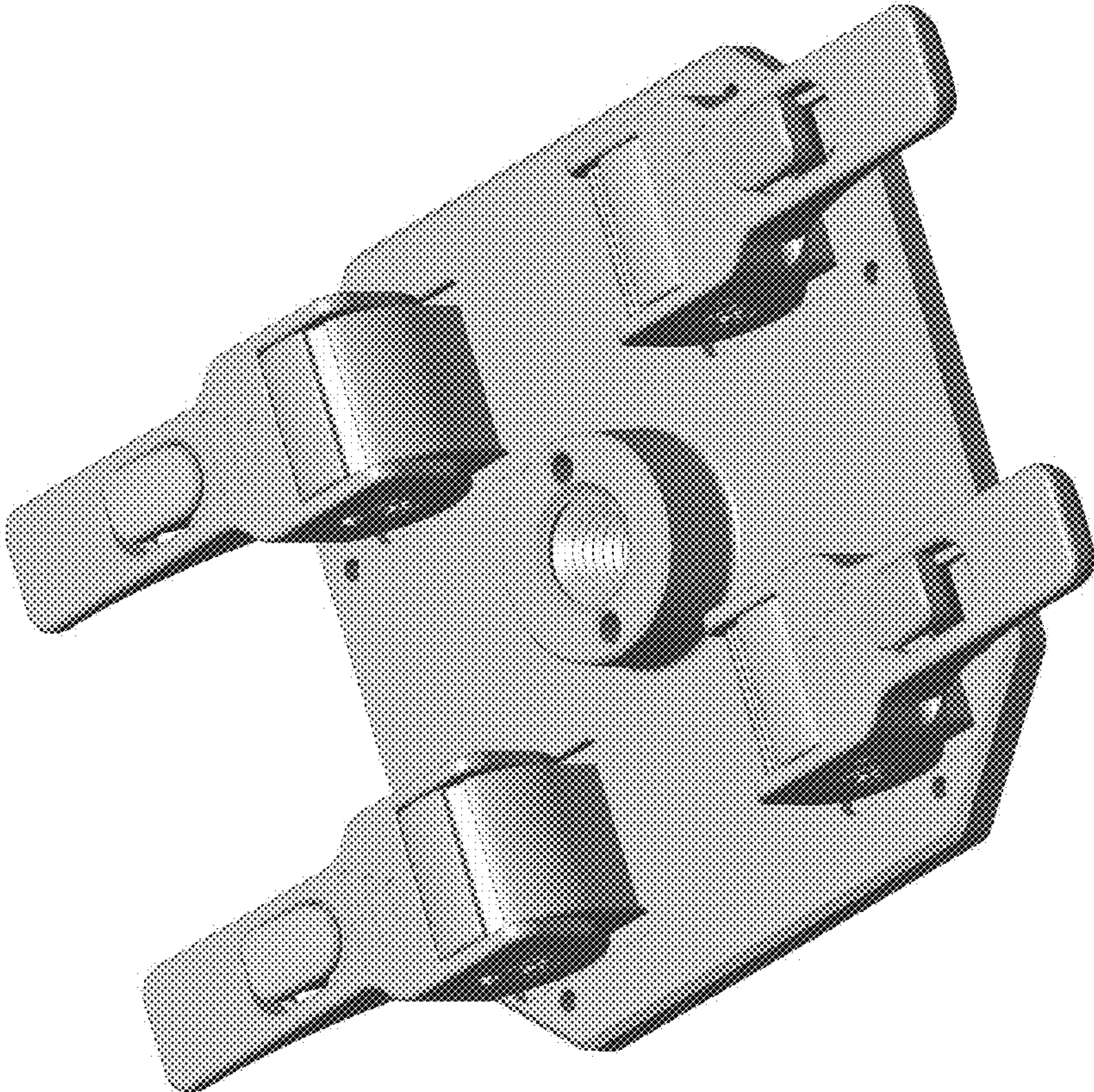


Fig. 4

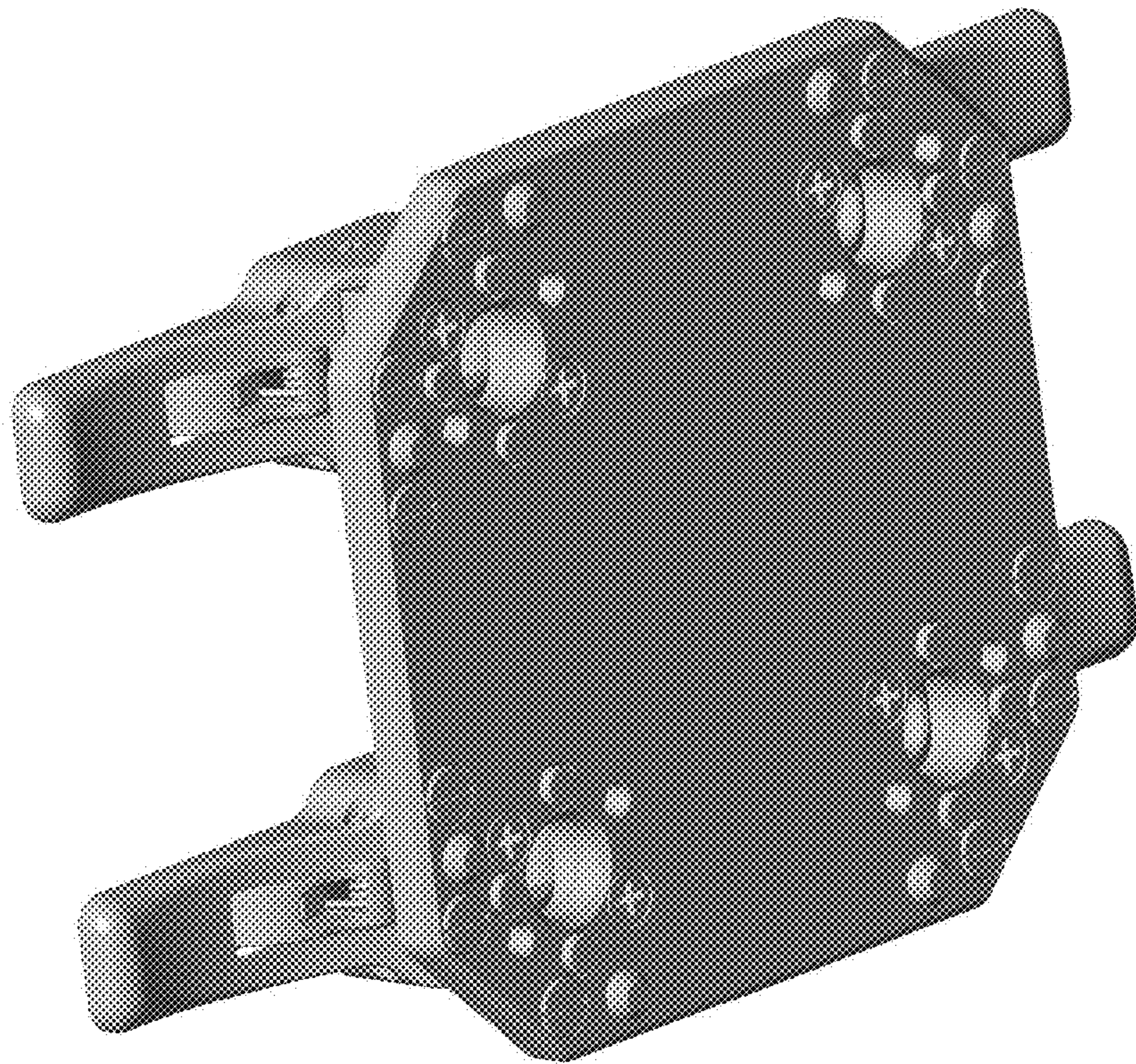


Fig. 5

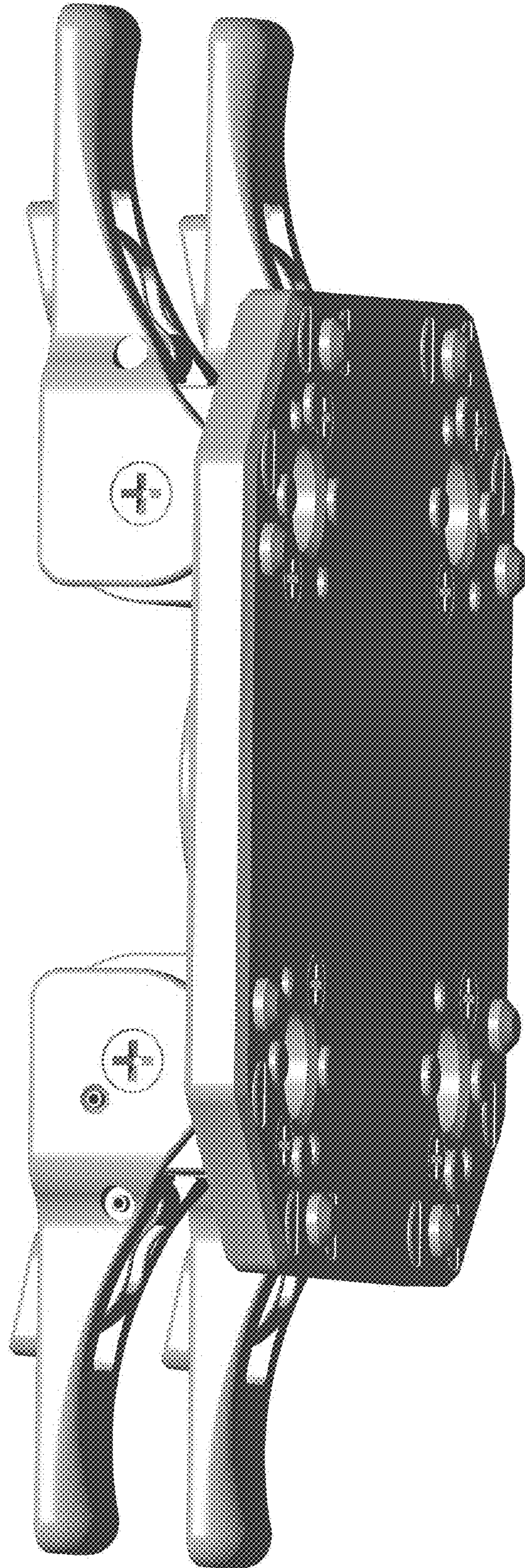


Fig. 6

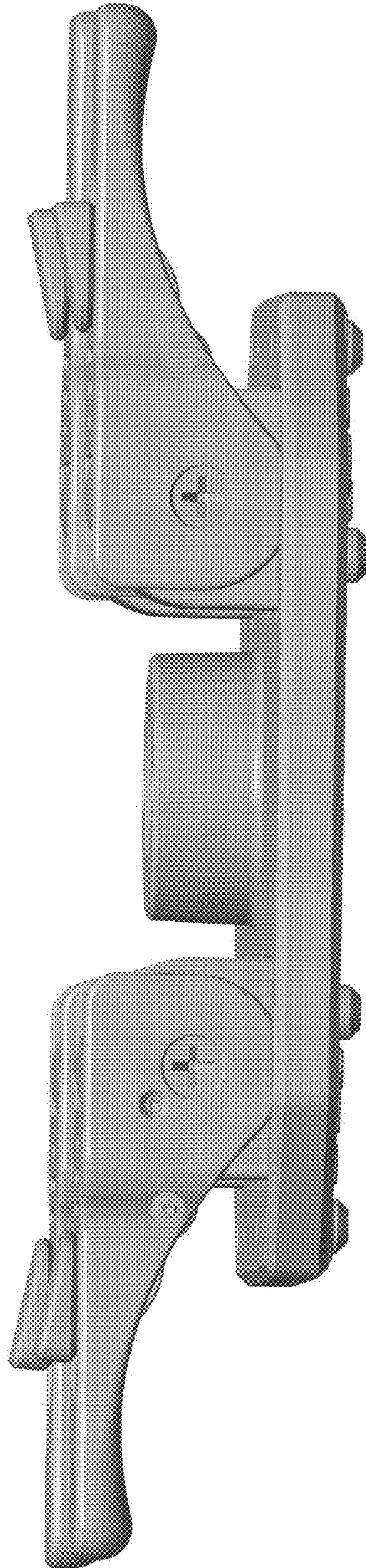


Fig. 7

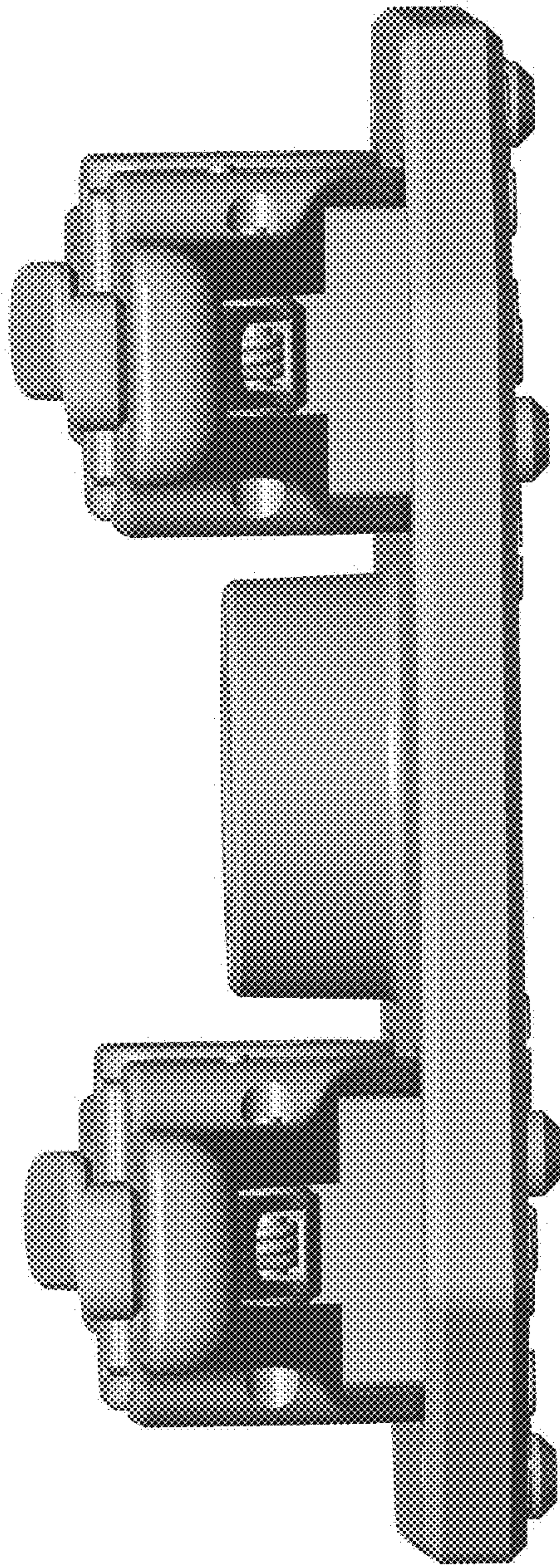


Fig. 8

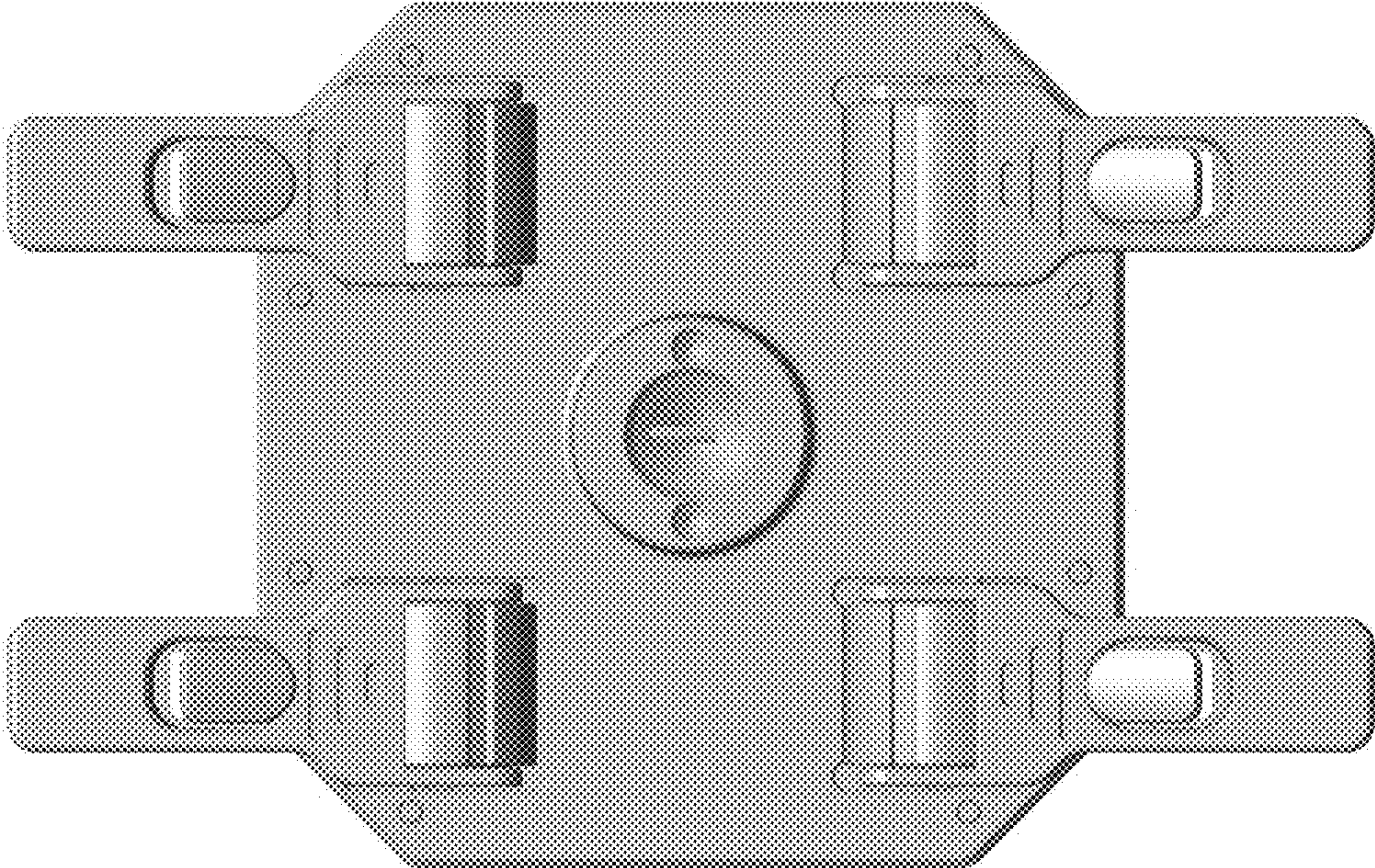


Fig. 9

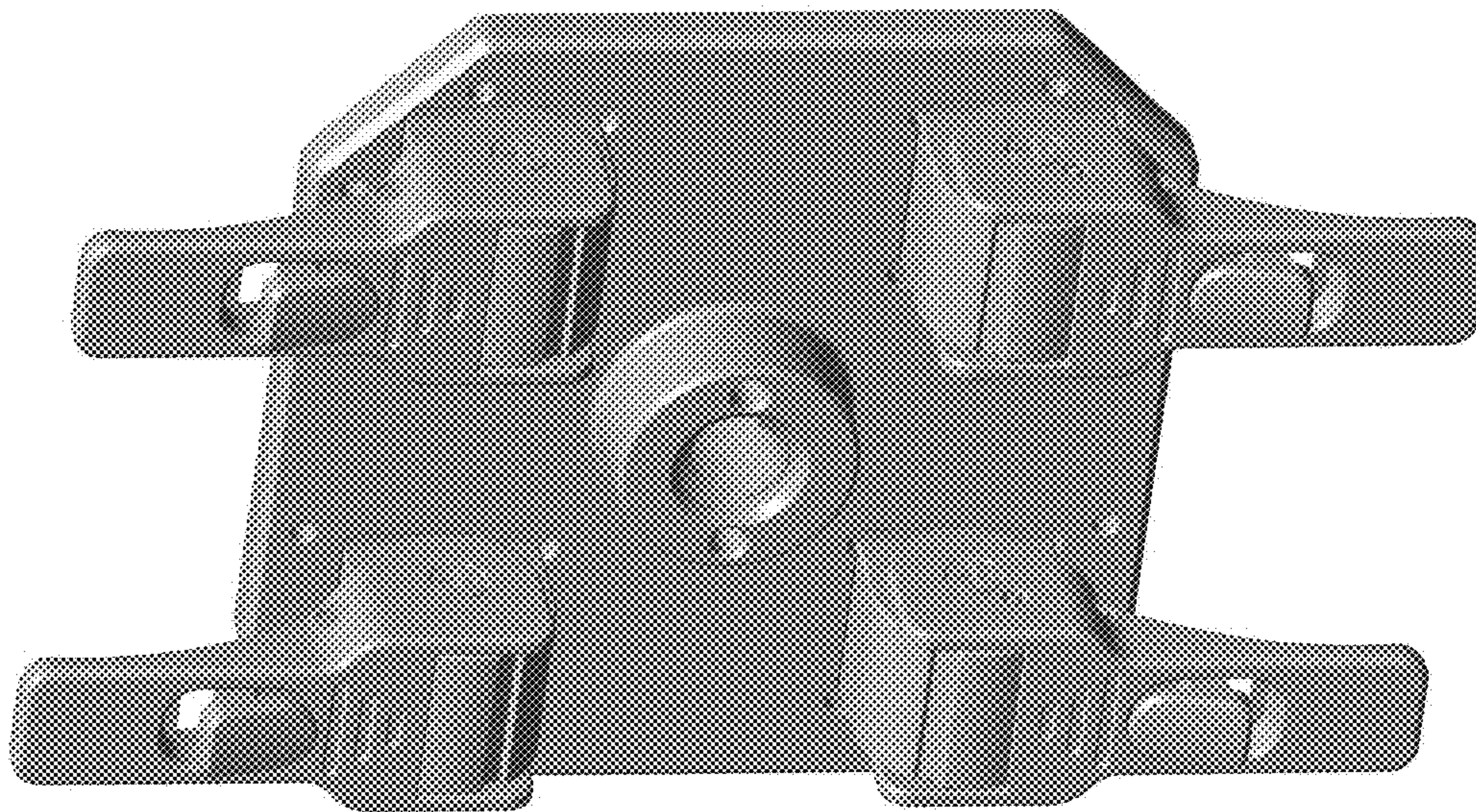


Fig. 10

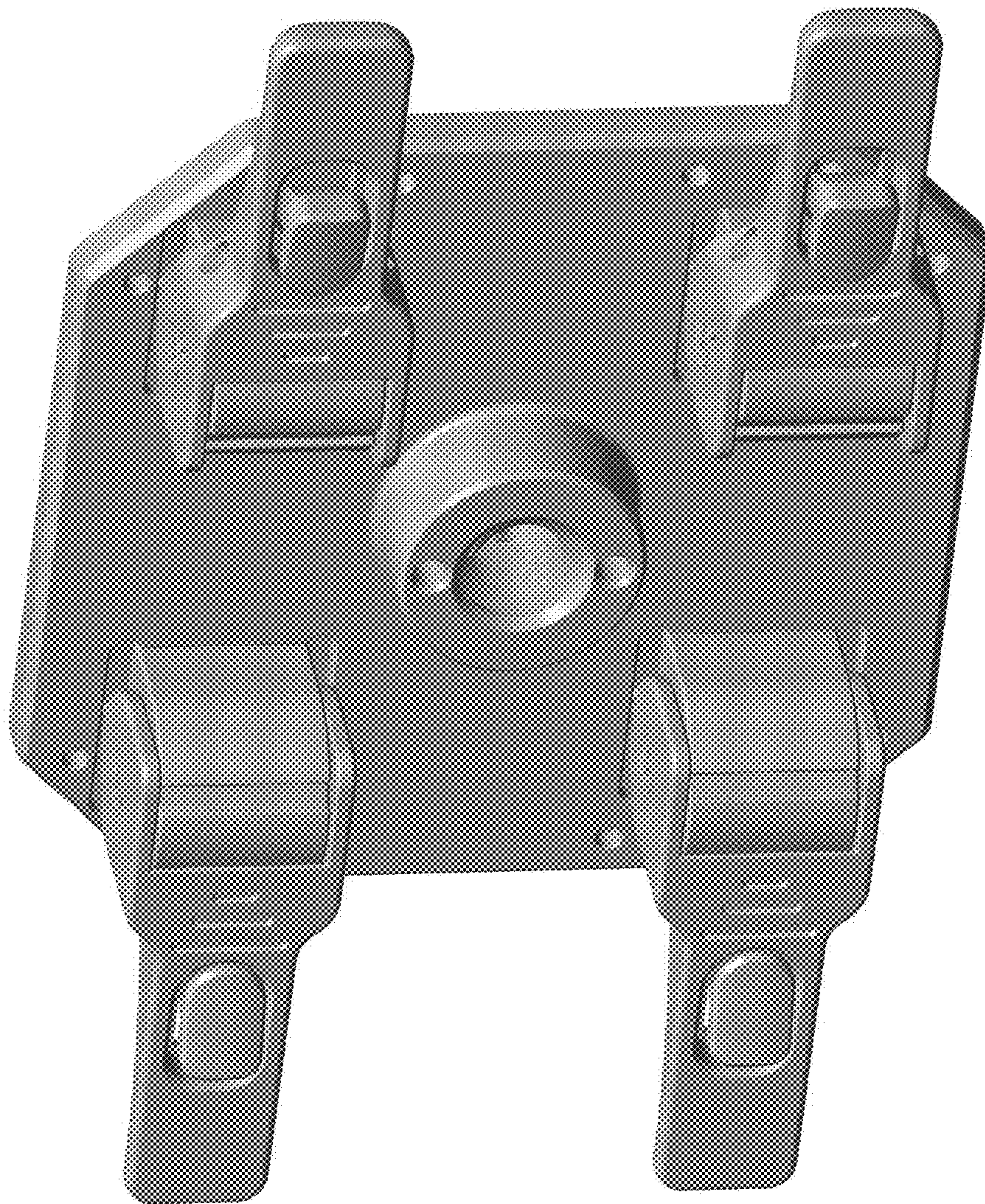


Fig. 11

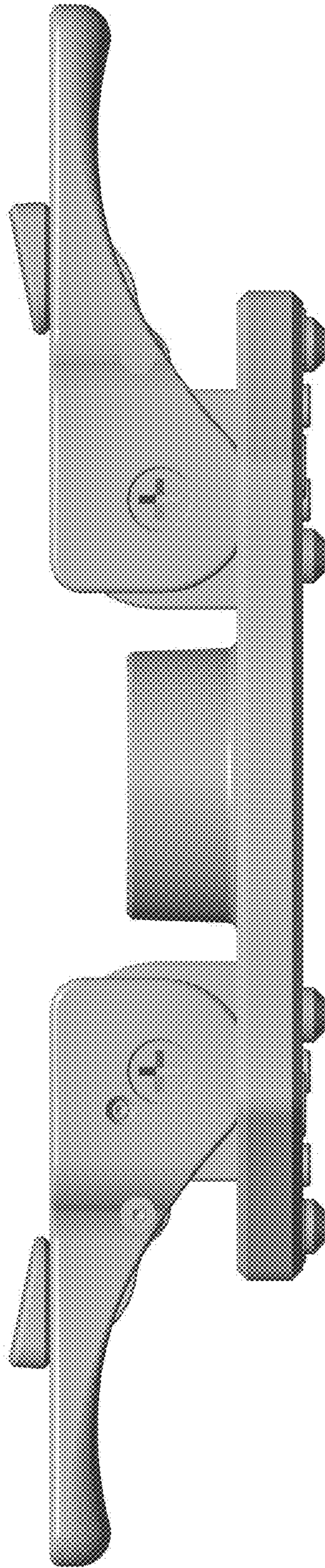


Fig. 12

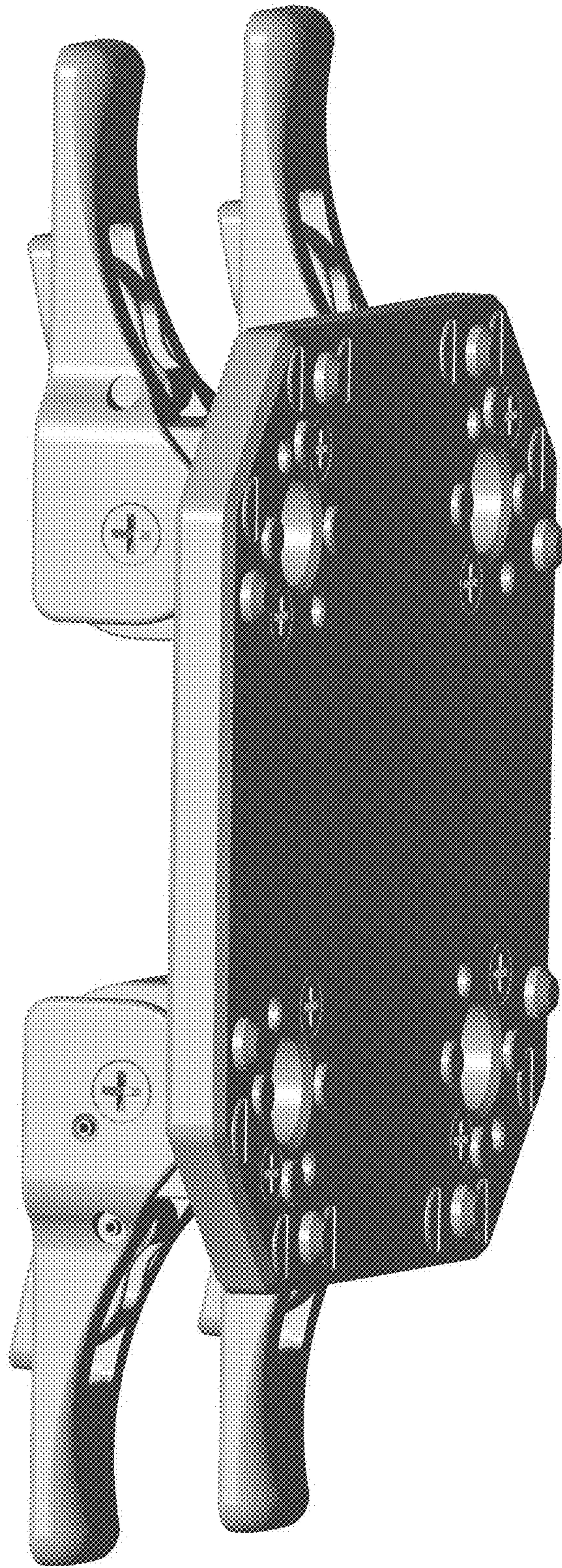


Fig. 13

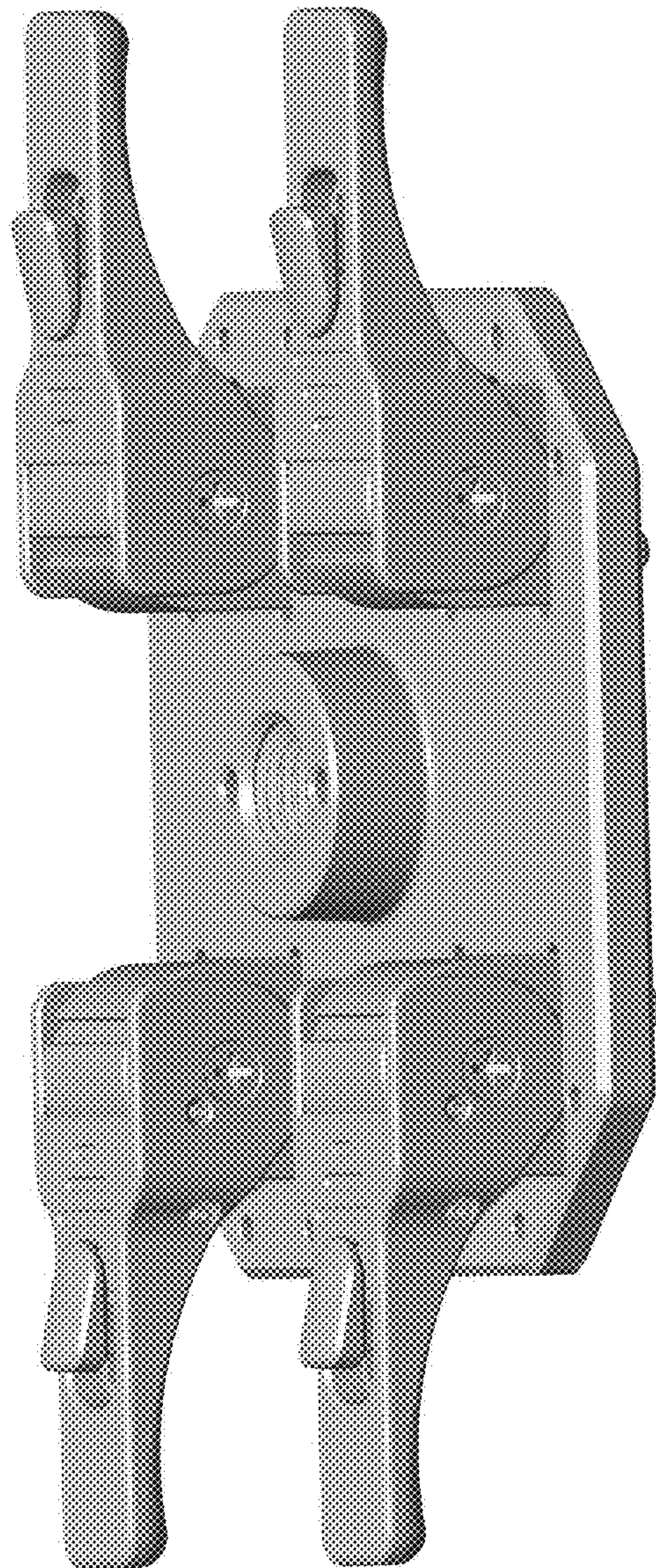


Fig. 14