



US00D822664S

(12) **United States Design Patent** (10) **Patent No.:** **US D822,664 S**
Akana et al. (45) **Date of Patent:** **** Jul. 10, 2018**

(54) **CONNECTOR**

(71) Applicant: **Apple Inc.**, Cupertino, CA (US)

(72) Inventors: **Jody Akana**, San Francisco, CA (US); **Molly Anderson**, San Francisco, CA (US); **Bartley K. Andre**, Palo Alto, CA (US); **Shota Aoyagi**, San Francisco, CA (US); **Anthony Michael Ashcroft**, San Francisco, CA (US); **Jeremy Bataillou**, San Francisco, CA (US); **Daniel J. Coster**, San Francisco, CA (US); **Daniele De Iuliis**, San Francisco, CA (US); **M. Evans Hankey**, San Francisco, CA (US); **Julian Hoenig**, San Francisco, CA (US); **Richard P. Howarth**, San Francisco, CA (US); **Jonathan P. Ive**, San Francisco, CA (US); **Duncan Robert Kerr**, San Francisco, CA (US); **Matthew Dean Rohrbach**, San Francisco, CA (US); **Peter Russell-Clarke**, San Francisco, CA (US); **Benjamin Andrew Shaffer**, San Jose, CA (US); **Mikael Silvanto**, San Francisco, CA (US); **Christopher J. Stringer**, Woodside, CA (US); **Eugene Antony Whang**, San Francisco, CA (US); **Rico Zörkendörfer**, San Francisco, CA (US)

(73) Assignee: **Apple Inc.**, Cupertino, CA (US)

(**) Term: **15 Years**

(21) Appl. No.: **29/588,768**

(22) Filed: **Dec. 22, 2016**

Related U.S. Application Data

(63) Continuation of application No. 29/538,797, filed on Sep. 8, 2015, now Pat. No. Des. 775,133.

(51) **LOC (11) Cl.** **14-02**

(52) **U.S. Cl.**
USPC **D14/440**

(58) **Field of Classification Search**
USPC D14/440, 250, 447, 433, 434; 206/45.23, 206/320, 45.2; 361/679.55; 294/25; 224/218

(Continued)

(56) **References Cited**

U.S. PATENT DOCUMENTS

3,461,009 A 8/1969 Snyder et al.
4,703,160 A * 10/1987 Narishima G06F 15/0216
200/5 A

(Continued)

Primary Examiner — Cynthia Underwood
(74) *Attorney, Agent, or Firm* — Sterne, Kessler, Goldstein & Fox P.L.L.C.

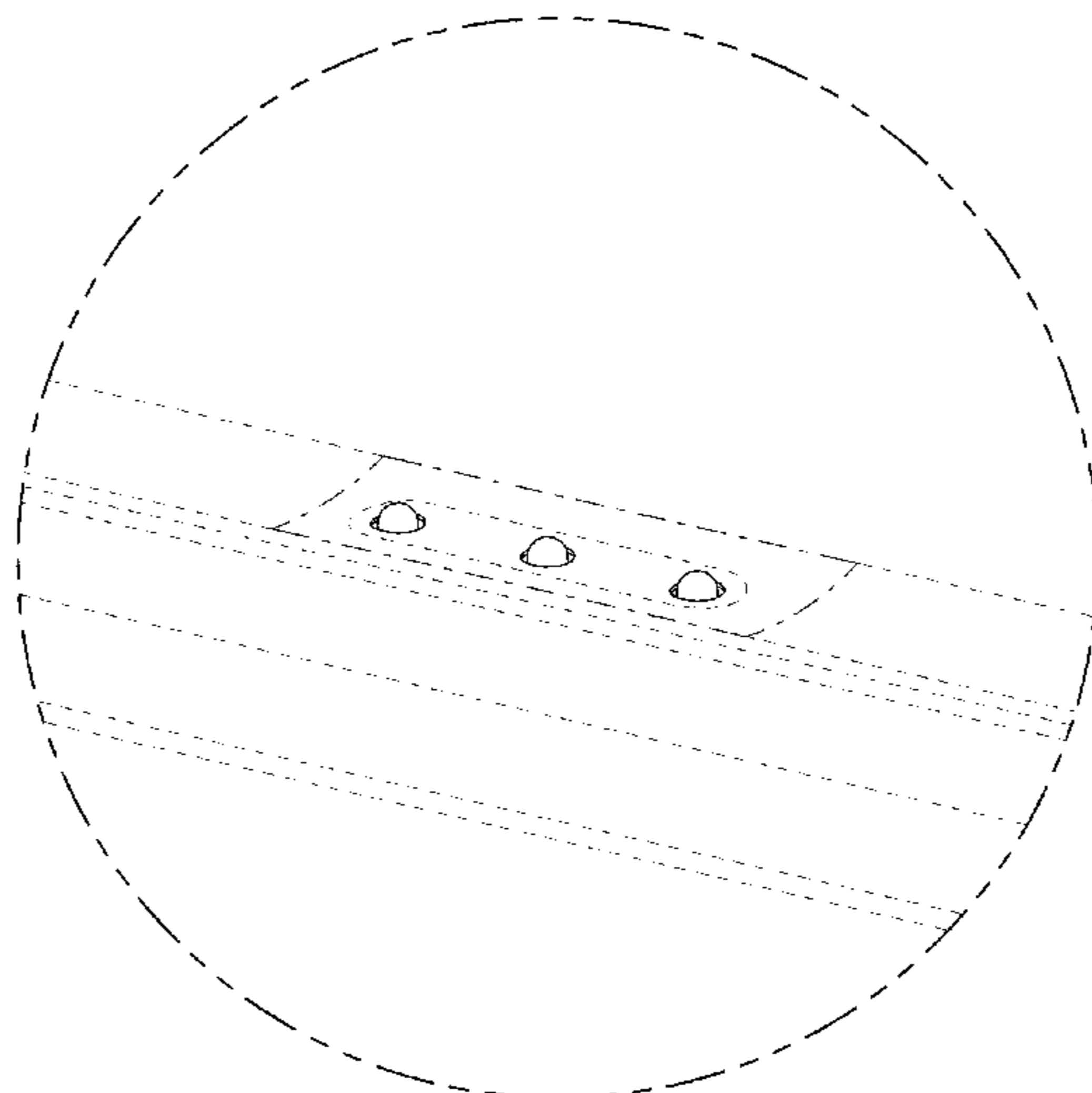
(57) **CLAIM**

The ornamental design for a connector, as shown and described.

DESCRIPTION

FIG. 1 is a top front perspective view of a connector showing the claimed design;
FIG. 2 is a front view thereof;
FIG. 3 is a rear view thereof;
FIG. 4 is a left side view thereof;
FIG. 5 is a right side view thereof;
FIG. 6 is a top view thereof;
FIG. 7 is a bottom view thereof;
FIG. 8 is an enlarged view of a portion of FIG. 1; and,
FIG. 9 is an enlarged view of a portion of FIG. 6.
The dashed broken lines in the figures show portions of the connector that form no part of the claimed design.
The dot-dash broken lines in the figures show boundaries that form no part of the claimed design.

1 Claim, 7 Drawing Sheets



(58) **Field of Classification Search**
 CPC ... G06F 1/1628; G06F 1/1626; A47B 23/044;
 H04B 1/3888
 See application file for complete search history.

(56) **References Cited**

U.S. PATENT DOCUMENTS

4,718,550 A * 1/1988 Johnson G11B 23/023
 206/387.13
 5,908,265 A 6/1999 Mostkoff
 D467,429 S 12/2002 Bone et al.
 D577,977 S * 10/2008 Hernandez D8/387
 D581,726 S 12/2008 Shamoon
 D607,826 S 1/2010 Shaw
 D607,827 S 1/2010 Shaw
 D612,687 S * 3/2010 Gilbert D7/509
 D622,090 S * 8/2010 Bodum D7/317
 D623,472 S * 9/2010 Bodum D7/502
 D624,780 S * 10/2010 Bodum D7/309
 D634,159 S * 3/2011 Bodum D7/509
 D635,806 S * 4/2011 Bodum D6/521

D645,471 S 9/2011 Gardner et al.
 8,124,216 B2 2/2012 Antonini
 D656,929 S 4/2012 Hsiung
 D657,198 S * 4/2012 Bodum D7/523
 D666,874 S * 9/2012 Sakulsacha D7/510
 D694,222 S * 11/2013 Thompson D14/238.1
 D694,226 S * 11/2013 Thompson D14/250
 D695,464 S 12/2013 Hardy, III
 D714,791 S 10/2014 Liu
 D726,031 S * 4/2015 Bodum D10/44
 D726,703 S * 4/2015 Akana D14/250
 D740,113 S 10/2015 Olenick
 D742,160 S * 11/2015 Bodum D7/316
 D742,740 S 11/2015 Kim et al.
 D747,928 S * 1/2016 Herbst D7/510
 D754,652 S 4/2016 Roberts et al.
 9,498,032 B2 * 11/2016 Wu A45C 11/00
 D789,934 S * 6/2017 Akana D14/392
 2012/0194448 A1 * 8/2012 Rothkopf A45C 13/002
 345/173
 2012/0261289 A1 10/2012 Wyner et al.
 2014/0158645 A1 6/2014 Thomas
 2016/0119011 A1 4/2016 Thompson et al.

* cited by examiner

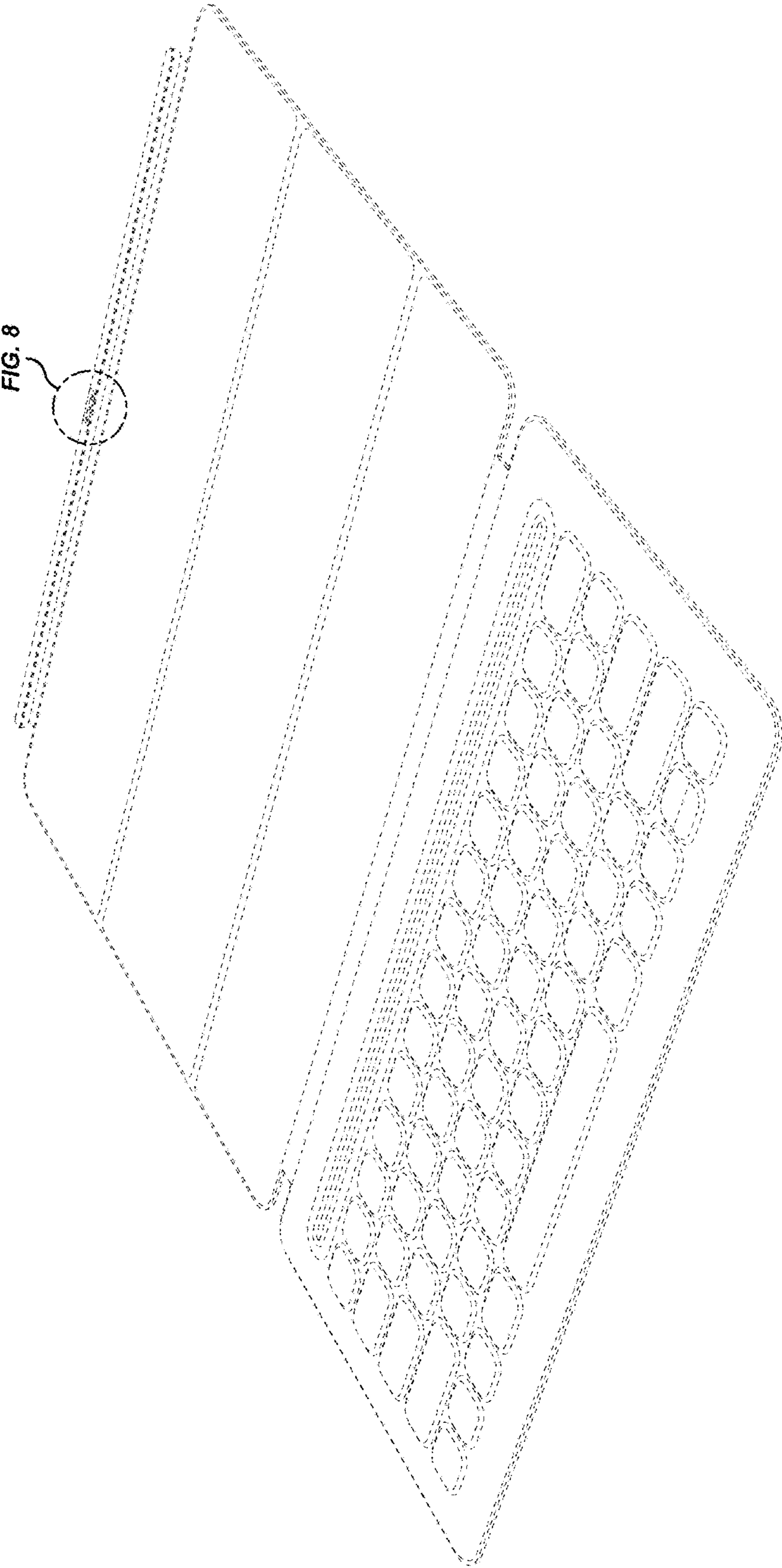


FIG. 1

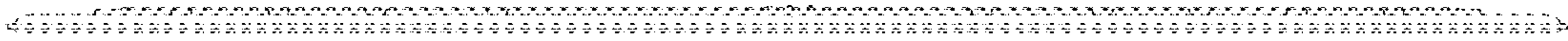


FIG. 2

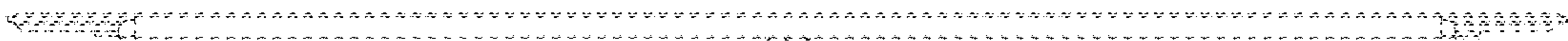


FIG. 3

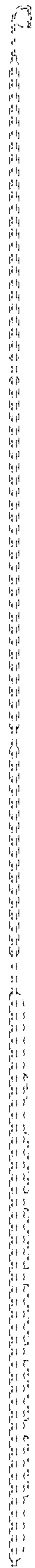


FIG. 4

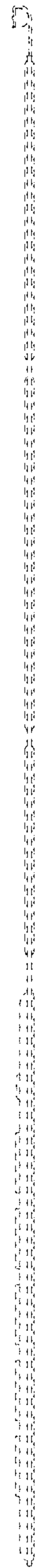


FIG. 5

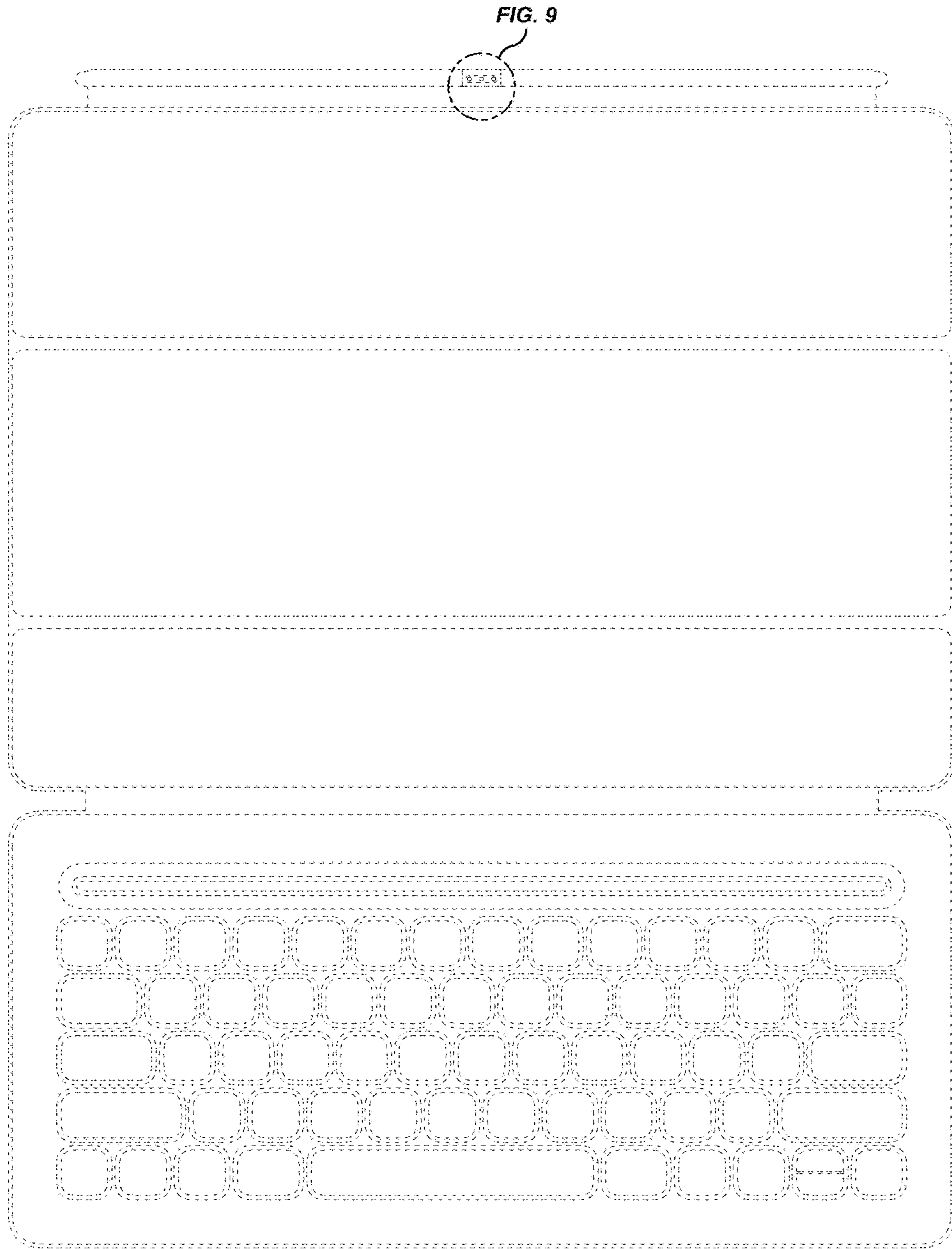


FIG. 6

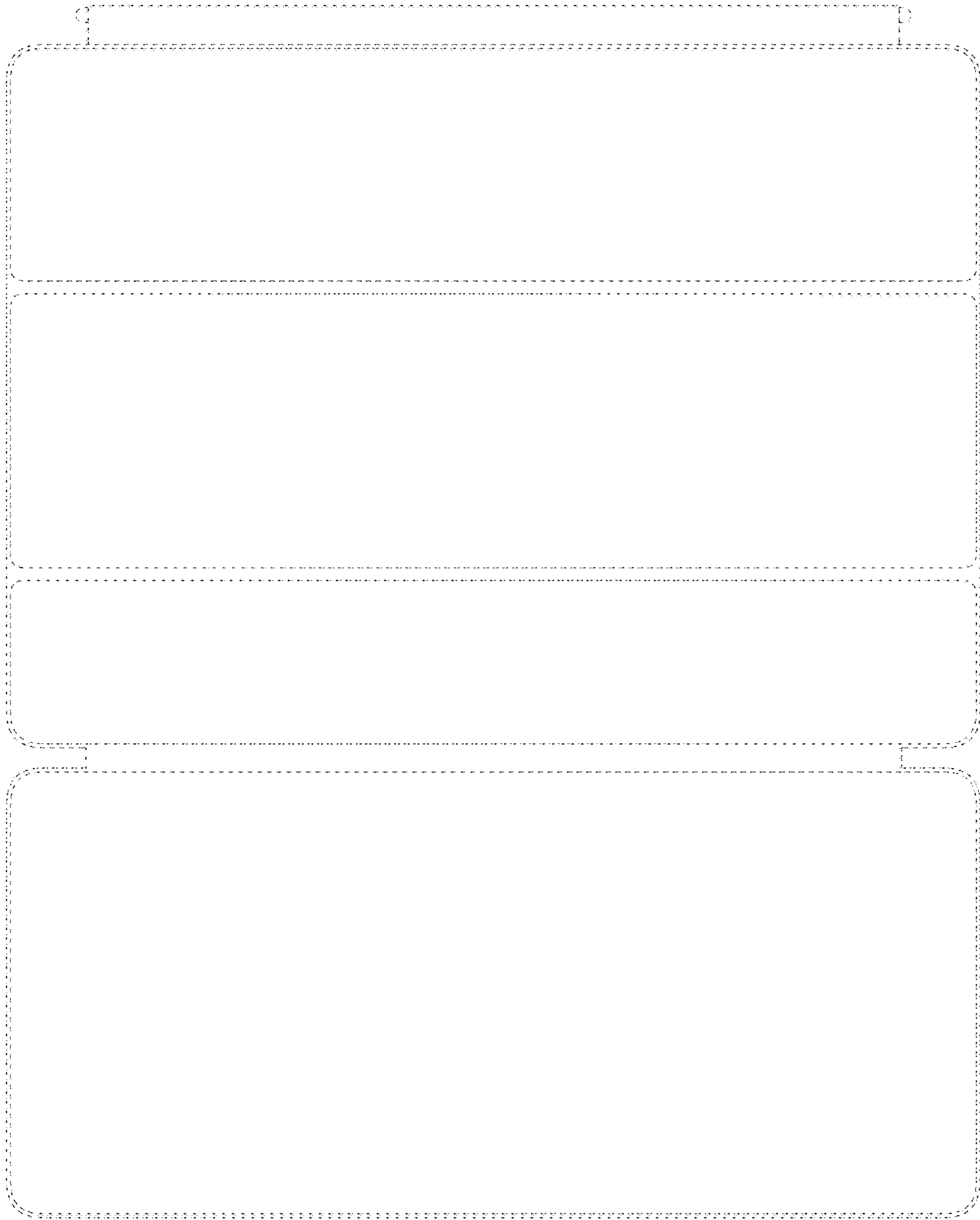


FIG. 7

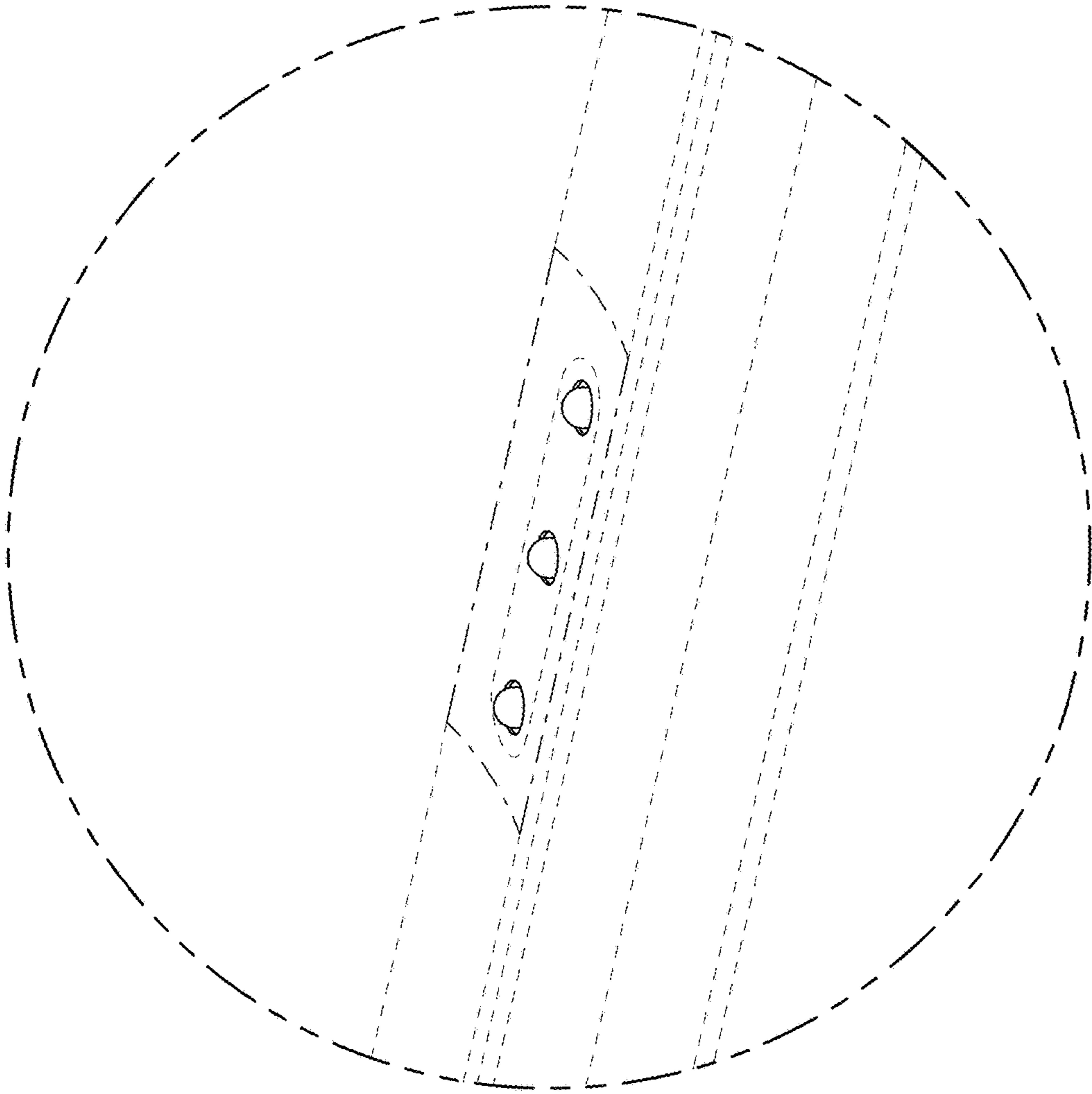


FIG. 8

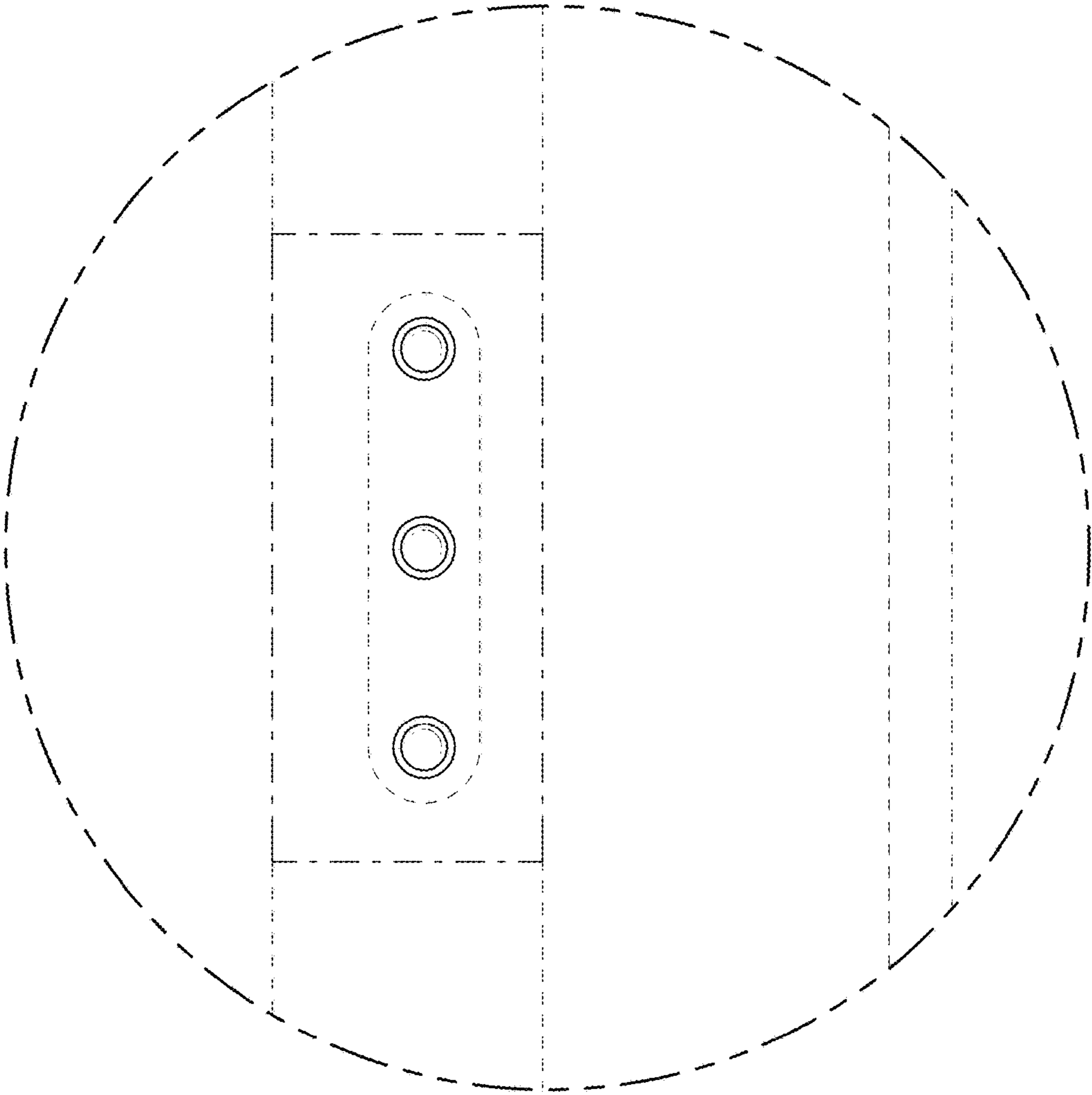


FIG. 9