



US00D822663S

(12) **United States Design Patent**  
**Paolizzi et al.**

(10) **Patent No.:** **US D822,663 S**  
(45) **Date of Patent:** **\*\* Jul. 10, 2018**

(54) **PORTABLE TERMINAL**

- (71) Applicant: **Datalogic IP Tech S.r.l.**, Lippo di Calderara di Reno (IT)
- (72) Inventors: **Simone Paolizzi**, Rimini (IT); **Giovanni Minafó**, Cento (IT); **Monica Alegiani**, Silvi (IT); **Francesco Montanari**, Bologna (IT)
- (73) Assignee: **DATALOGIC IP TECH S.R.L.**, Lippo di Calderara di Reno (BO) (IT)
- (\*\*) Term: **15 Years**
- (21) Appl. No.: **29/612,624**
- (22) Filed: **Aug. 2, 2017**

**Related U.S. Application Data**

- (62) Division of application No. 29/545,484, filed on Nov. 13, 2015, now Pat. No. Des. 797,106.

(30) **Foreign Application Priority Data**

- May 19, 2015 (EM) ..... 002703025
- (51) **LOC (11) Cl.** ..... **14-02**
- (52) **U.S. Cl.**  
USPC ..... **D14/428**
- (58) **Field of Classification Search**  
USPC ..... D14/420, 426-430, 453, 346, 341, 347, D14/412, 138 R, 138 AA, 138 C; D13/107, 184; 358/473; 235/462.43, 235/462.45, 462.47, 462.48, 462.44, 235/462.46, 487, 472.01, 472.02, 145 A, 235/145 R, 385, 440, 383, 454, 462.01; D10/78; 324/426; D3/273; 710/73; D18/7; 361/679, 728, 679.56, 679.55, 361/679.59; 382/313, 321; 455/575.1, 455/561, 572, 557, 349, 556.1, 556.2,  
(Continued)

(56) **References Cited**

U.S. PATENT DOCUMENTS

- 5,349,497 A \* 9/1994 Hanson ..... B60R 11/02  
16/422
- D435,557 S \* 12/2000 Eisenberg ..... D14/428  
(Continued)

OTHER PUBLICATIONS

Zebra Technologies, Corp., MC17/MC17A/MC17T/MC17U Product Reference Guide, (Apr. 2016), pp. 1-146.  
(Continued)

*Primary Examiner* — Susan Moon Lee  
(74) *Attorney, Agent, or Firm* — Duane Morris LLP

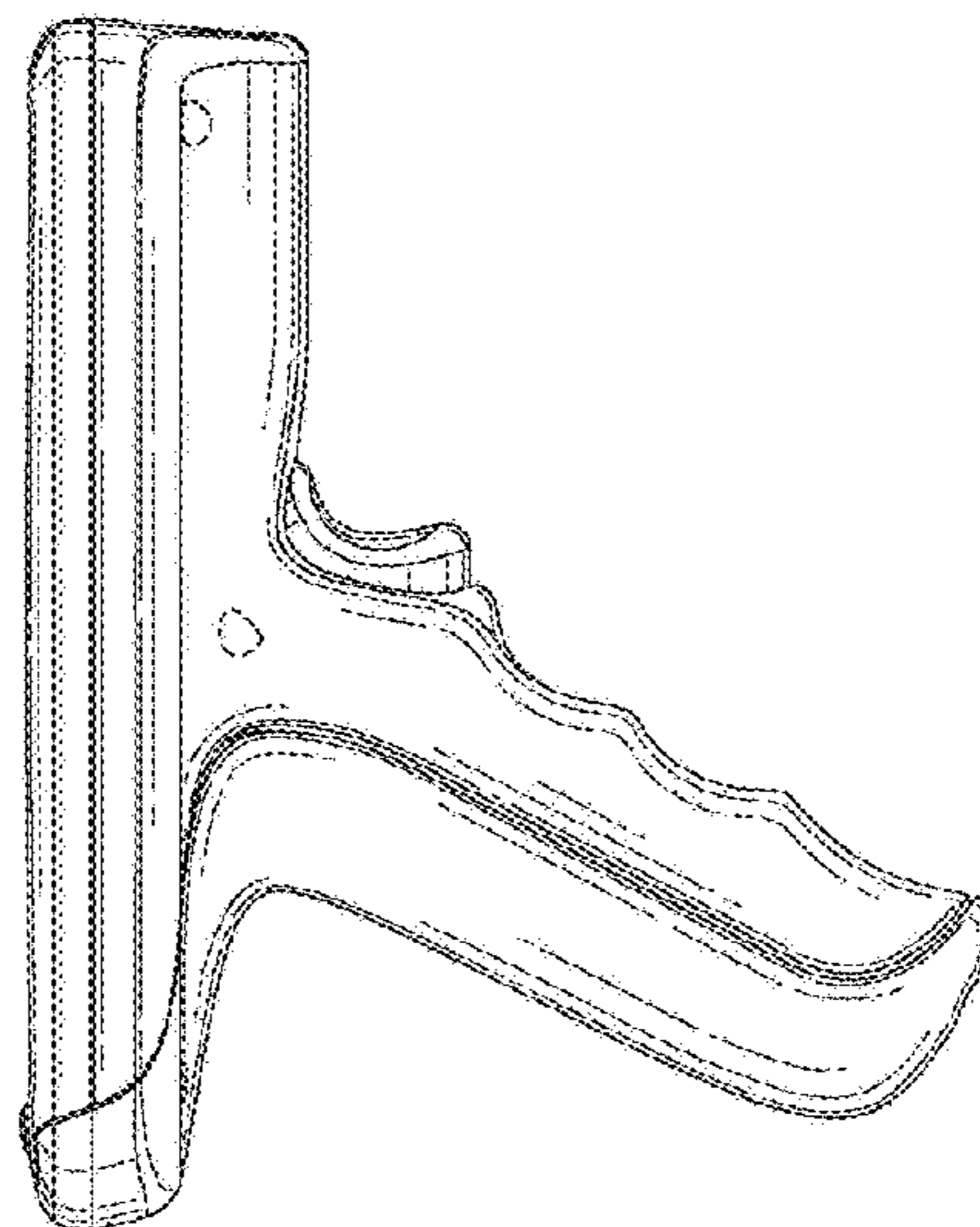
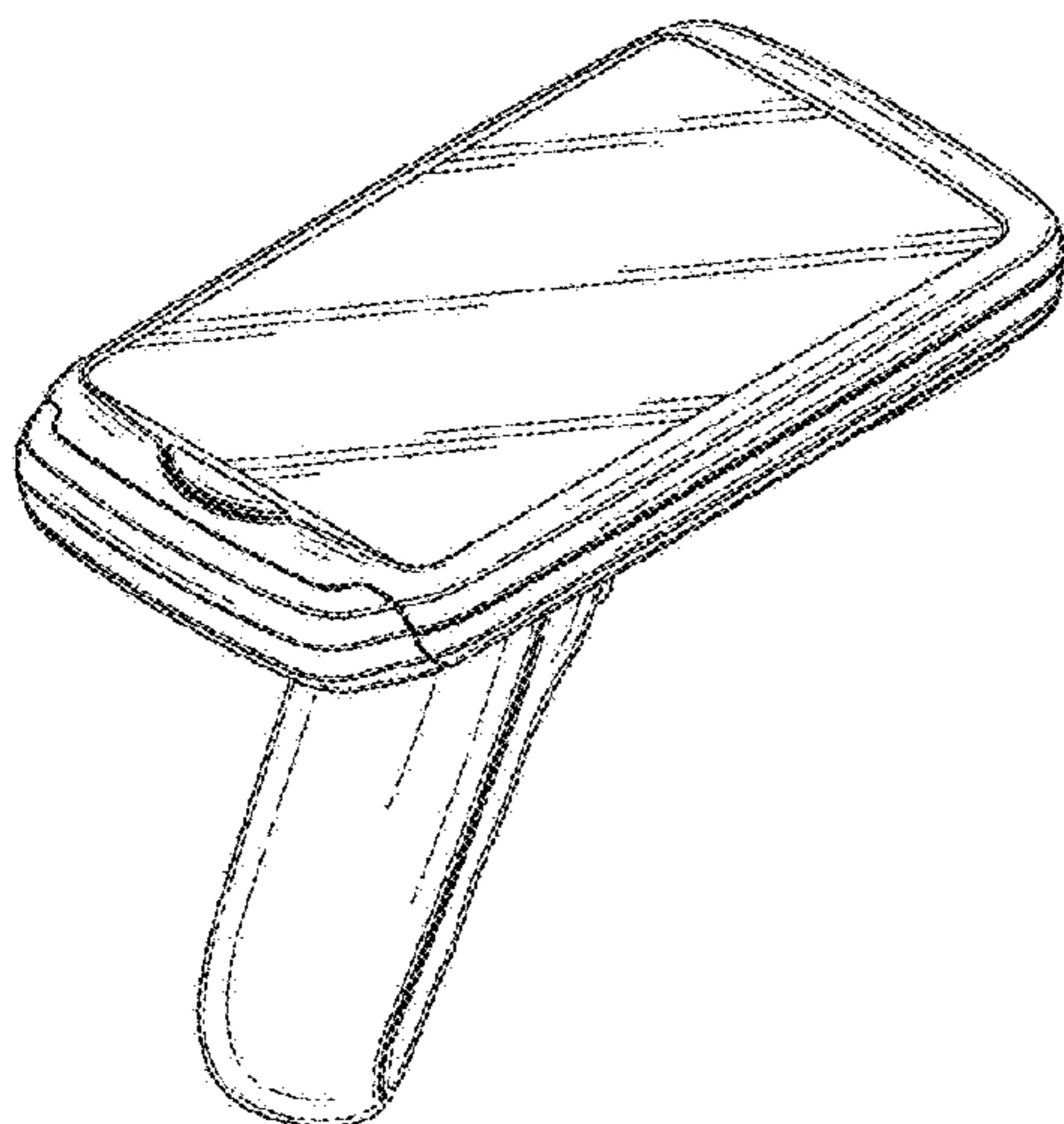
(57) **CLAIM**

We claim the ornamental design for a portable terminal, as shown and described.

**DESCRIPTION**

FIG. 1 is a front perspective view of a portable terminal according to the present invention. FIG. 2 is a front view of the portable terminal of FIG. 1. FIG. 3 is a rear view of the portable terminal of FIG. 1. FIG. 4 is a left side view of the portable terminal of FIG. 1. FIG. 5 is a right side view of the portable terminal of FIG. 1. FIG. 6 is a top view of the portable terminal of FIG. 1; and, FIG. 7 is a bottom view of the portable terminal of FIG. 1. The broken lines and unshaded portions contained within broken lines depict exemplary elements of the portable terminal that are shown for illustrative purposes only and that form no part of the claimed design.

**1 Claim, 7 Drawing Sheets**



(58) **Field of Classification Search**

USPC ..... 455/90.3; 345/156, 168, 169, 172, 173,  
345/87; 705/17, 18, 22-25  
CPC ..... G06F 1/626; G06F 1/1626; G06F 1/1656;  
G06F 1/1632; G06F 1/1684; G06F  
1/1635; G06F 8/63; G06F 17/30091;  
G06F 9/4401; G06K 7/10881; G06K  
7/1098; G06K 7/10722; G06K 7/1404;  
G06K 7/0004; G06K 7/10633; G06K  
7/10851; G06K 7/1091; G06K 7/1092;  
G06K 7/1093; G06K 7/10; G06K 7/109;  
G06K 7/1417; G06K 9/228; G06K  
17/0022; G06K 17/00; G06K 2207/1011;  
G06K 2207/1013; G06K 2207/1016;  
G06K 2207/1018; G06K 2017/0051;  
G06K 2017/0067; G06K 2007/10524;  
G06K 7/1095; G06K 7/089; G06K  
7/10821; G07G 1/0081; G07G 1/009;  
G06Q 20/20; G06Q 20/201; G06Q  
20/202; G06Q 20/203; G06Q 20/30;  
G06Q 20/32; G06Q 20/322; G06Q  
20/4014; G06Q 10/087; H04N 1/00127;  
H04N 1/00135; H04N 1/00326; H04N  
1/00334; H04N 1/00307; H04N 1/107;  
H04N 2201/0084; H04N 2101/00; H04M  
1/0249; H04M 1/0262; H04M 1/0266;  
H04M 1/18; H04M 1/23; H04M 1/236;  
H04B 1/3827; H04B 1/3833; H04B  
1/3877; H04B 1/3883; H04B 1/3888;  
H04B 2001/3894; H01M 2/1066

See application file for complete search history.

(56) **References Cited**

U.S. PATENT DOCUMENTS

6,467,688 B1 10/2002 Goldman  
6,708,887 B1 3/2004 Garrett  
D498,754 S 11/2004 Blyth  
7,054,148 B2 5/2006 Chen  
D564,921 S 3/2008 Cheng  
D578,500 S 10/2008 Lee  
D603,356 S 11/2009 Sterzick  
D611,023 S 3/2010 Wu  
7,673,804 B1 \* 3/2010 Hinson ..... G06K 7/10881  
235/462.45  
D618,200 S 6/2010 Kim  
D627,344 S 11/2010 Chien  
D632,665 S 2/2011 Kim  
D639,765 S 6/2011 Lee  
D639,767 S \* 6/2011 Finney ..... D14/138 G  
D640,223 S 6/2011 Park  
D644,195 S \* 8/2011 Kim ..... D14/138 G  
D646,256 S 10/2011 Kim  
D646,662 S 10/2011 Kim  
D649,131 S 11/2011 Jyonoshita  
D651,583 S 1/2012 Park

D652,006 S 1/2012 Kim  
D652,812 S 1/2012 Kim  
D654,039 S 2/2012 Kim  
D656,916 S 4/2012 Kim  
D658,618 S \* 5/2012 Kim ..... D14/138 G  
D659,667 S \* 5/2012 Jung ..... D14/138 AD  
D666,985 S \* 9/2012 Kim ..... D14/138 G  
D669,052 S 10/2012 Kim  
D673,925 S 1/2013 Kim  
D680,513 S 4/2013 Lu  
8,421,608 B2 \* 4/2013 Lerner ..... G06F 3/016  
30/44  
D681,592 S 5/2013 Chung  
D681,593 S 5/2013 Chung  
D682,236 S 5/2013 Choi  
D687,007 S 7/2013 Son  
D687,804 S 8/2013 Park  
D687,806 S \* 8/2013 Hachiya ..... D14/138 G  
D688,219 S 8/2013 Ikezu  
D692,893 S 11/2013 Wesolek  
D695,251 S 12/2013 Lee  
D716,249 S 10/2014 Zhang  
D723,499 S 3/2015 Nishikawa  
D723,500 S 3/2015 Takahashi  
D724,046 S 3/2015 Sawada  
D729,247 S 5/2015 Hackett  
D762,604 S 8/2016 Fitch  
9,881,292 B2 \* 1/2018 Hicks ..... G06Q 20/208  
2005/0259797 A1 11/2005 Swartz  
2007/0074043 A1 3/2007 Lacey  
2007/0081292 A1 \* 4/2007 Brundula ..... F41A 17/063  
361/232  
2007/0165384 A1 \* 7/2007 Vejnar ..... G06F 9/454  
361/724  
2009/0032594 A1 2/2009 Hazel  
2013/0231157 A1 9/2013 Chung  
2013/0248601 A1 9/2013 Liang  
2014/0045550 A1 2/2014 Rosenberg  
2014/0099526 A1 4/2014 Powell  
2014/0191644 A1 7/2014 Chaney  
2014/0233180 A1 \* 8/2014 Vargas ..... G06F 1/1613  
361/679.55  
2014/0249941 A1 \* 9/2014 Hicks ..... G06K 7/10821  
705/17  
2014/0249942 A1 \* 9/2014 Hicks ..... G07G 1/0081  
705/17  
2014/0347000 A1 11/2014 Hamann  
2015/0028104 A1 1/2015 Ma  
2015/0126245 A1 5/2015 Barkan  
2015/0186686 A1 7/2015 Sun  
2015/0220766 A1 8/2015 Russell  
2015/0254485 A1 9/2015 Feng  
2015/0355681 A1 12/2015 Chen  
2016/0055357 A1 2/2016 Hicks  
2017/0092442 A1 \* 3/2017 Minaf ..... H01H 13/04  
2018/0068145 A1 \* 3/2018 Todeschini ..... H04W 4/80

OTHER PUBLICATIONS

Zebra Technologies, Corp., MC18 Series, Mobile Computer Acces-  
sories Guide,(2016), pp. 1-12.

\* cited by examiner

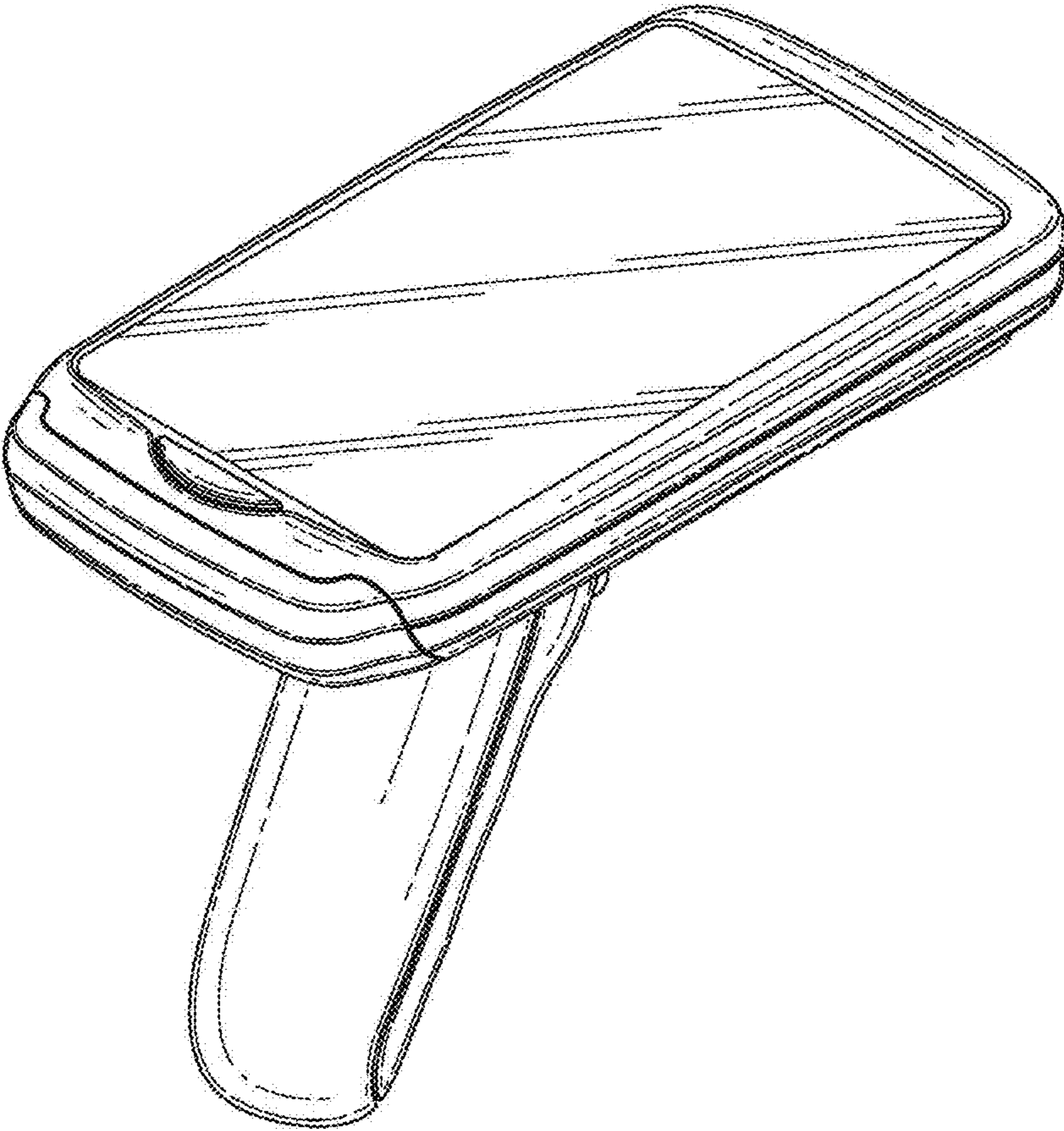


FIG. 1

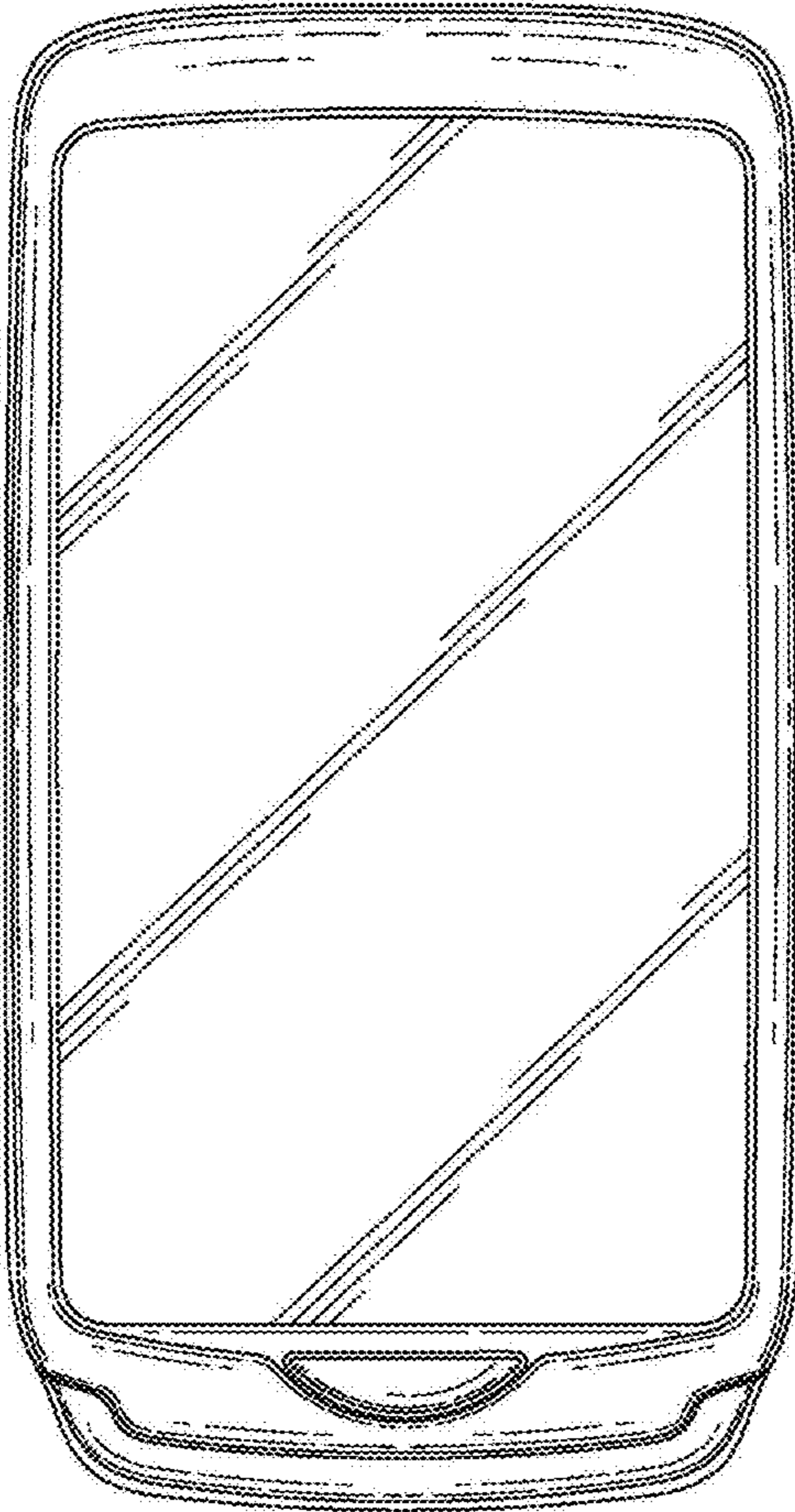


FIG. 2

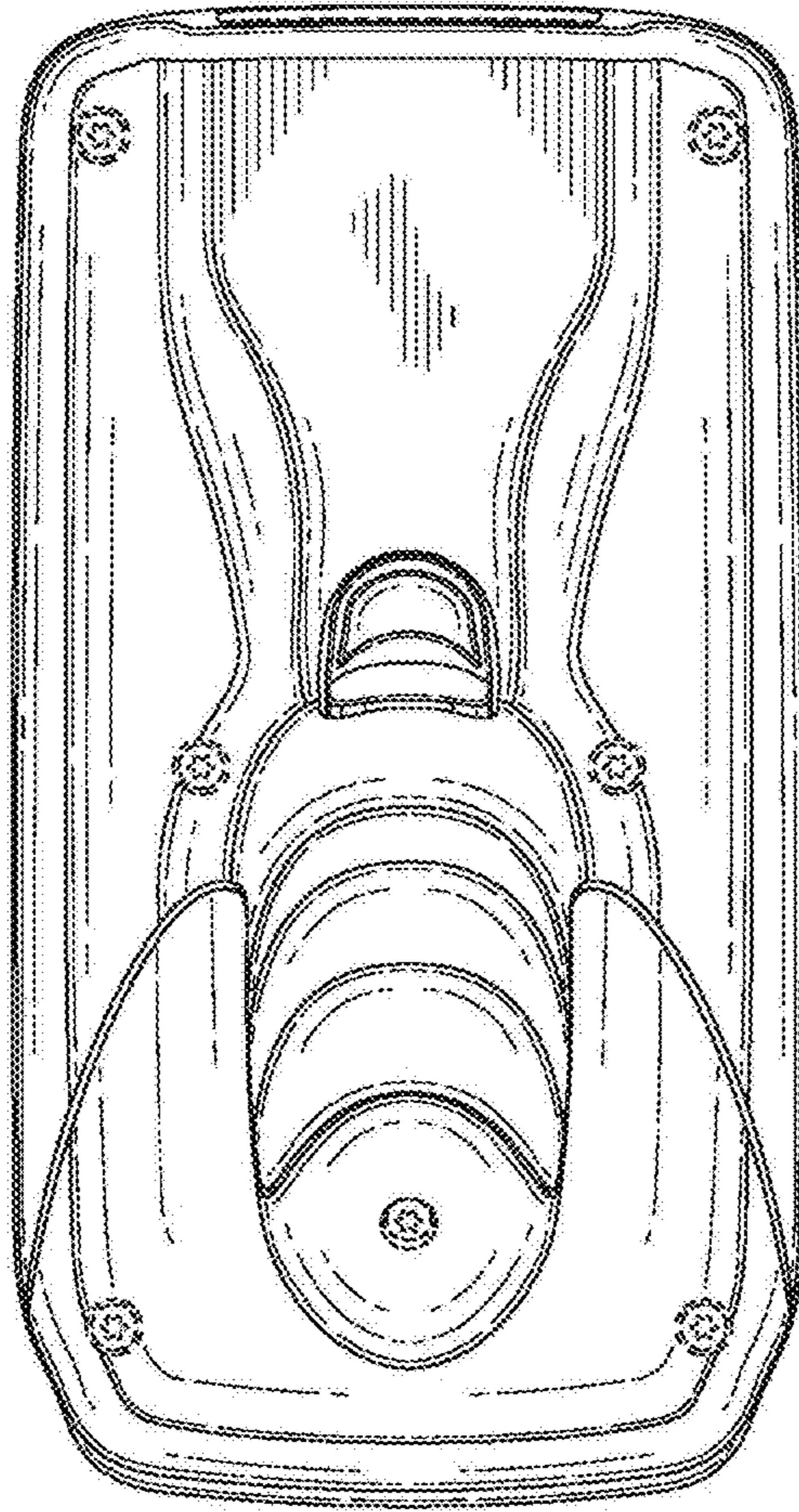


FIG. 3

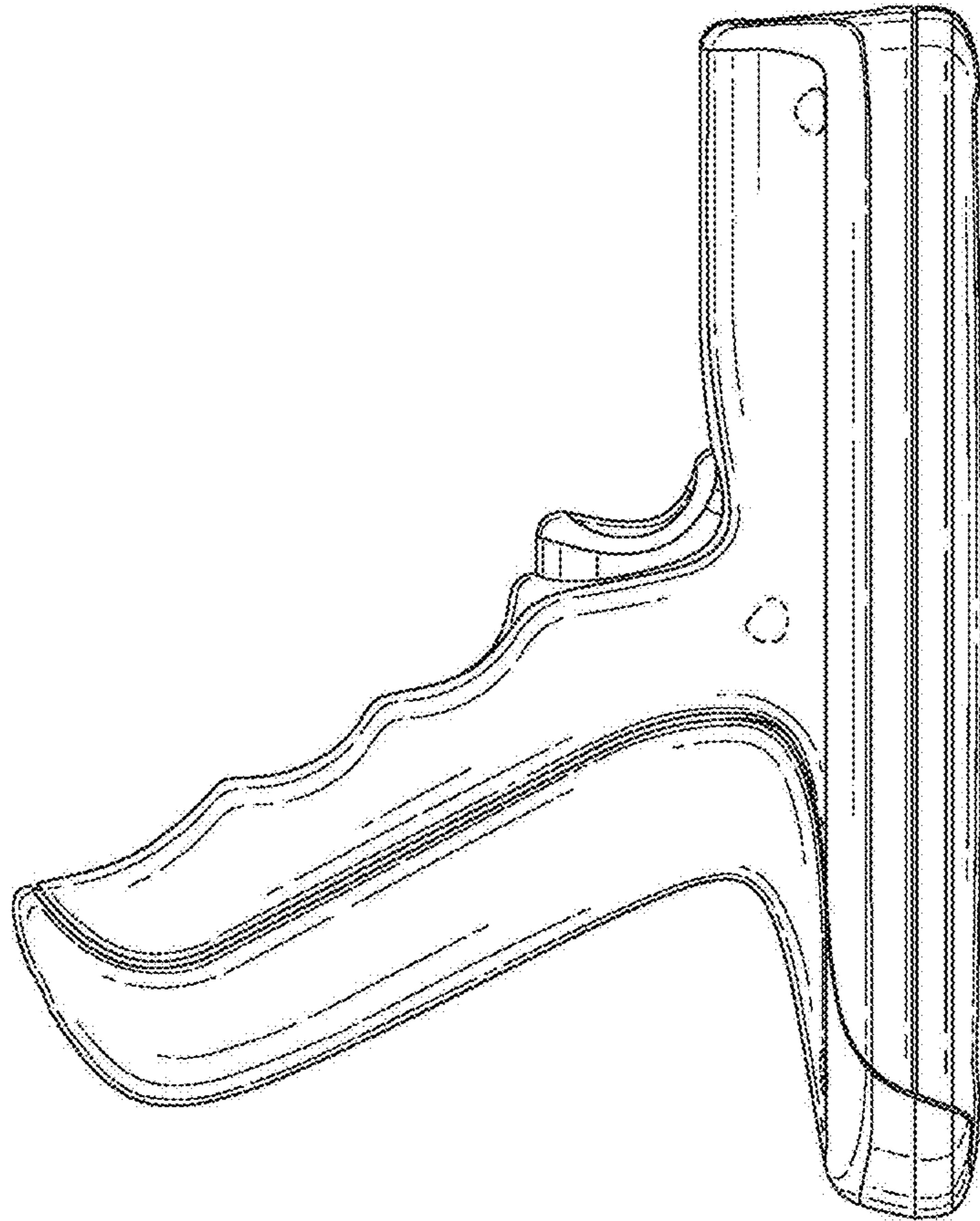


FIG. 4

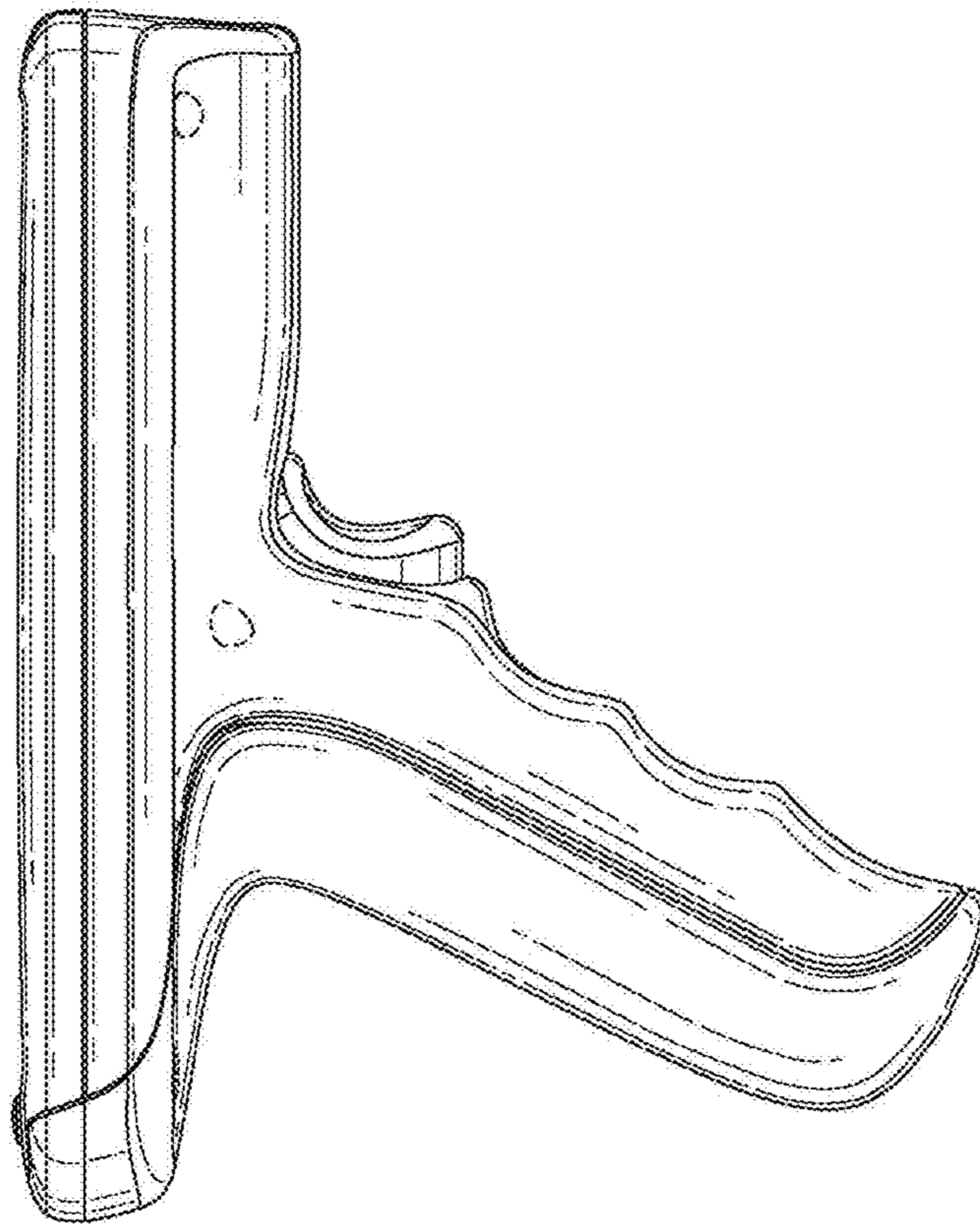


FIG. 5

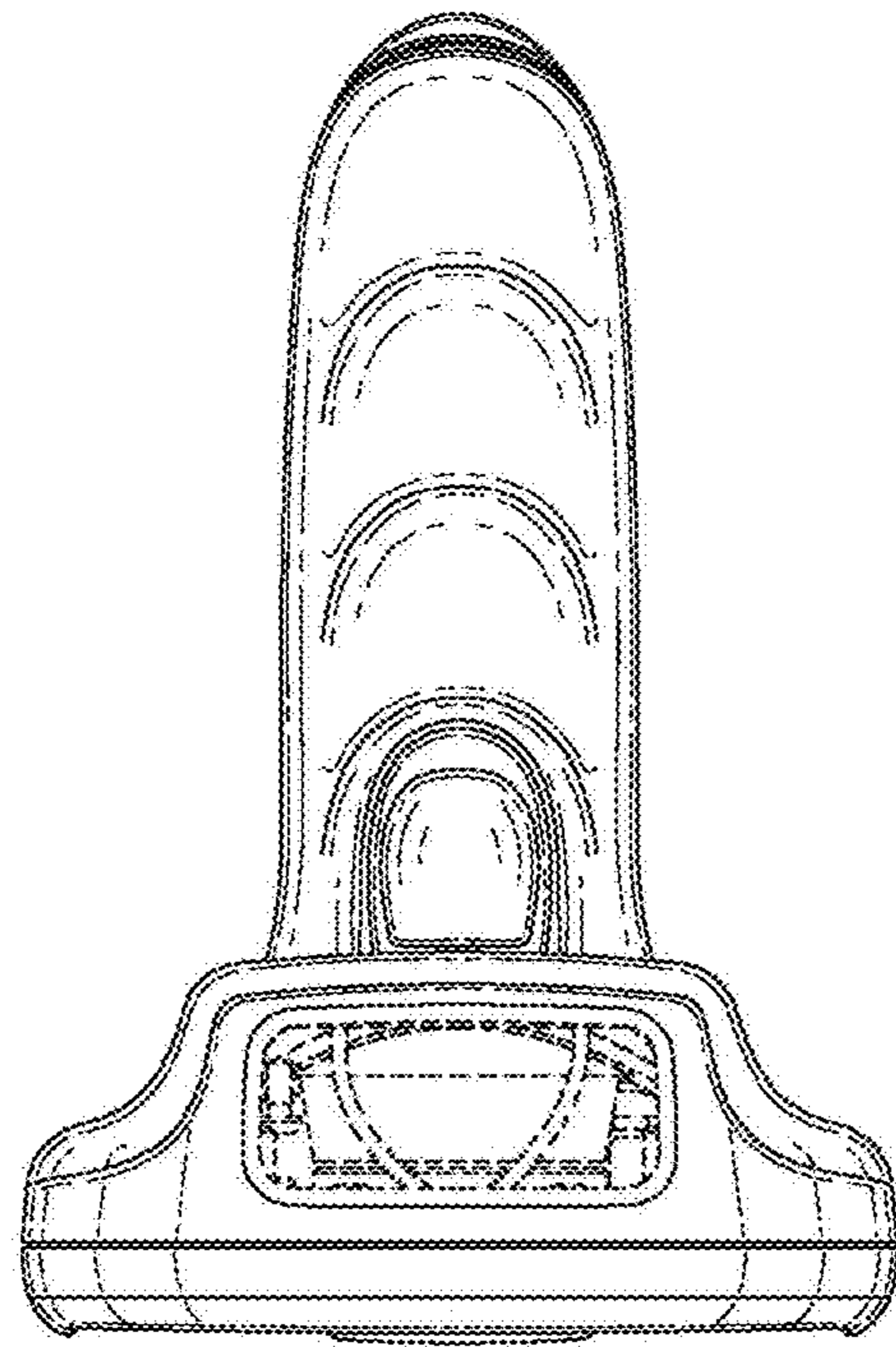


FIG. 6



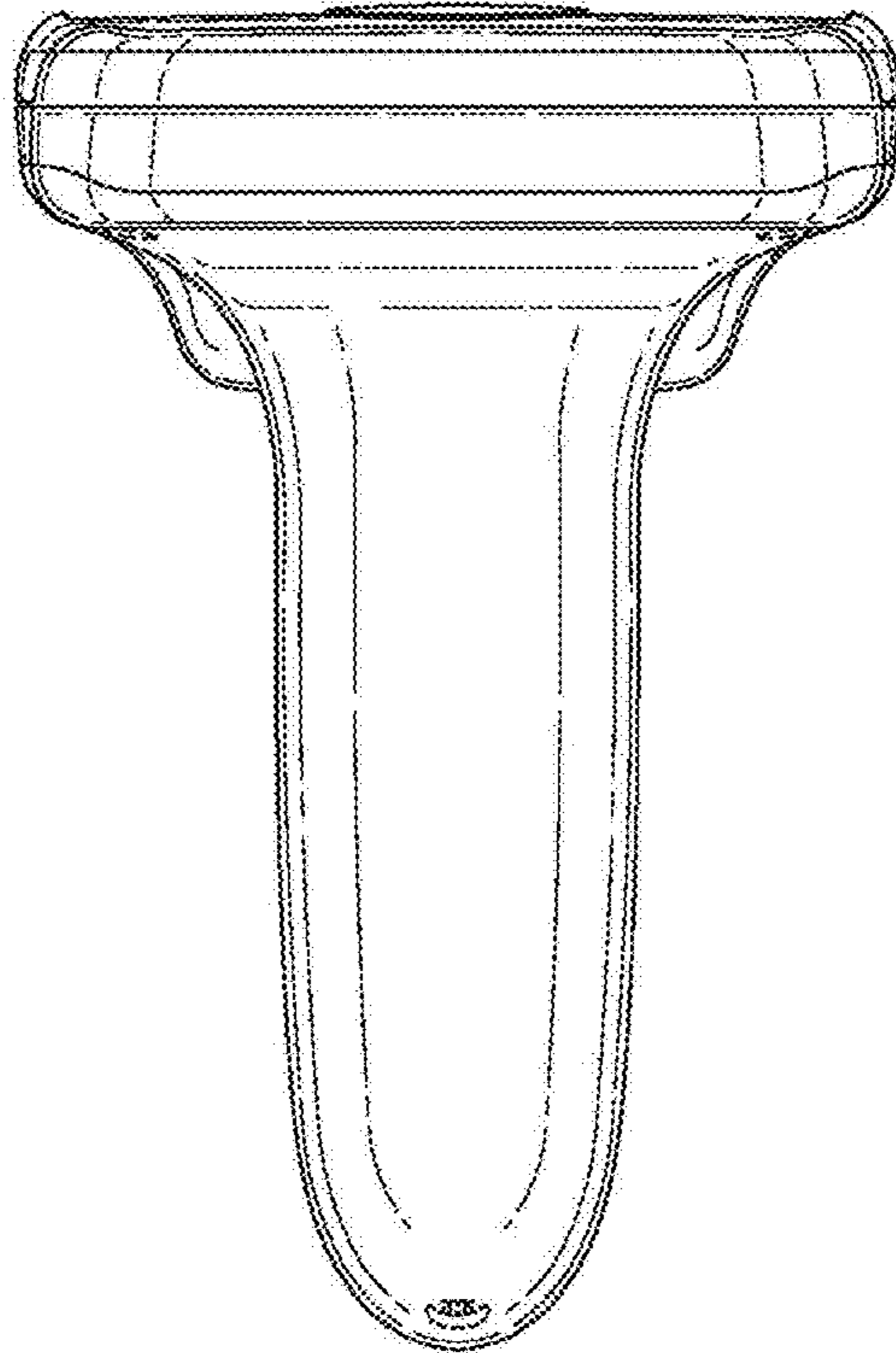


FIG. 7