



US00D822662S

(12) **United States Design Patent**  
**Kim et al.**

(10) **Patent No.:** **US D822,662 S**  
(45) **Date of Patent:** **\*\* Jul. 10, 2018**

(54) **DISPLAY DEVICE**

(71) Applicant: **SAMSUNG DISPLAY CO., LTD.**,  
Yongin-si, Gyeonggi-do (KR)

(72) Inventors: **Hak Sun Kim**, Seoul (KR); **Hyun Su Park**, Hwaseong-si (KR); **Kyu-Hun Shim**, Seongnam-si (KR); **Min Su Jung**, Asan-si (KR)

(73) Assignee: **Samsung Display Co., Ltd.**, Yongin-si (KR)

(\*\*) Term: **15 Years**

(21) Appl. No.: **29/590,736**

(22) Filed: **Jan. 12, 2017**

(30) **Foreign Application Priority Data**

Jul. 12, 2016 (KR) ..... 30-2016-0033960

(51) **LOC (11) Cl.** ..... **14-02**

(52) **U.S. Cl.**  
USPC ..... **D14/374**

(58) **Field of Classification Search**  
USPC ..... D14/371-375, 125-129, 336, 337;  
D6/300, 308; D19/113, 114; D20/10  
(Continued)

(56) **References Cited**

**U.S. PATENT DOCUMENTS**

D611,438 S \* 3/2010 Kubota ..... D14/126  
D642,150 S \* 7/2011 Takami ..... D14/126  
(Continued)

**FOREIGN PATENT DOCUMENTS**

KR 30-0834159 1/2016  
KR 30-0850181 4/2016

*Primary Examiner* — Freda S Nunn

(74) *Attorney, Agent, or Firm* — Lewis Roca Rothgerber  
Christie LLP

(57) **CLAIM**

The ornamental design for display device, as shown and described.

**DESCRIPTION**

FIG. 1 is a perspective of a display device;  
FIG. 2 is a front view thereof;  
FIG. 3 is a rear view thereof;  
FIG. 4 is a left side view thereof, with the right side being a mirror image;  
FIG. 5 is a top view thereof;  
FIG. 6 is a bottom view thereof;  
FIG. 7 is another perspective view thereof;  
FIG. 8 is an enlarged view of the region A of the front view of FIG. 2, enlarged for magnification purposes;  
FIG. 9 is an enlarged view of the region B of the front view of FIG. 2, enlarged for magnification purposes;  
FIG. 10 is an enlarged view of the region C of the perspective view of FIG. 1, enlarged for magnification purposes;  
FIG. 11 is a cross-sectional view of the display device taken along line 11-11 as shown in FIG. 2;  
FIG. 12 is a front view of the display device illustrating that images can be displayed on the display device, the images being shown for reference only and forming no part of the claimed design;  
FIG. 13 is a perspective view of a second embodiment of the display device;  
FIG. 14 is a front view of the display device of FIG. 13;  
FIG. 15 is a rear view of the display device of FIG. 13;  
FIG. 16 is a left side view of the display device of FIG. 13, with the right side being a mirror image;  
FIG. 17 is a top view of the display device of FIG. 13;  
FIG. 18 is a bottom view of the display device of FIG. 13;  
FIG. 19 is another perspective view of the display device of FIG. 13;  
FIG. 20 is an enlarged view of the region A of the front view of FIG. 14, enlarged for magnification purposes;  
FIG. 21 is an enlarged view of the region B of the front view of FIG. 14, enlarged for magnification purposes;  
FIG. 22 is an enlarged view of the region C of the perspective view of FIG. 13, enlarged for magnification purposes;  
(Continued)

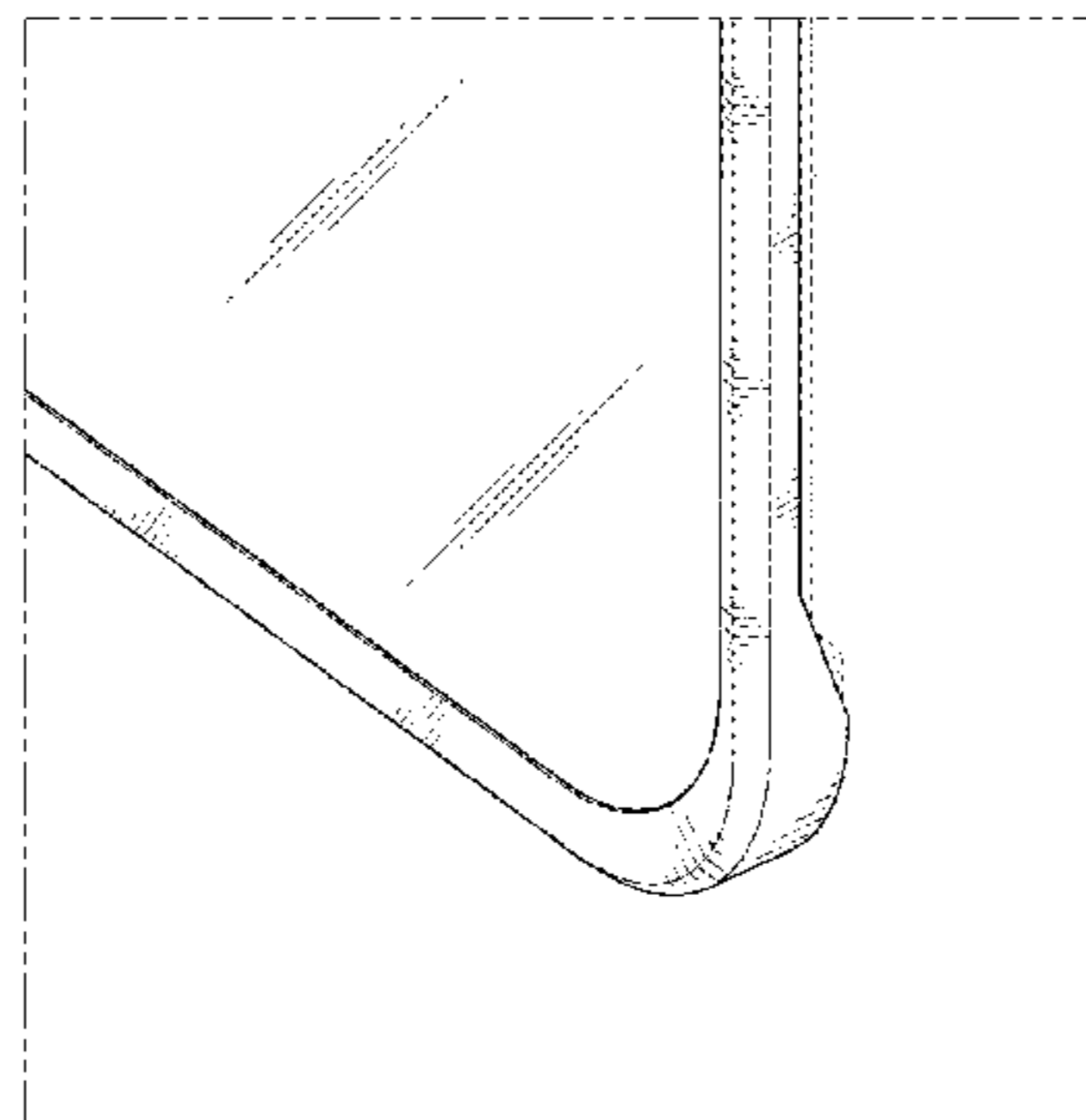
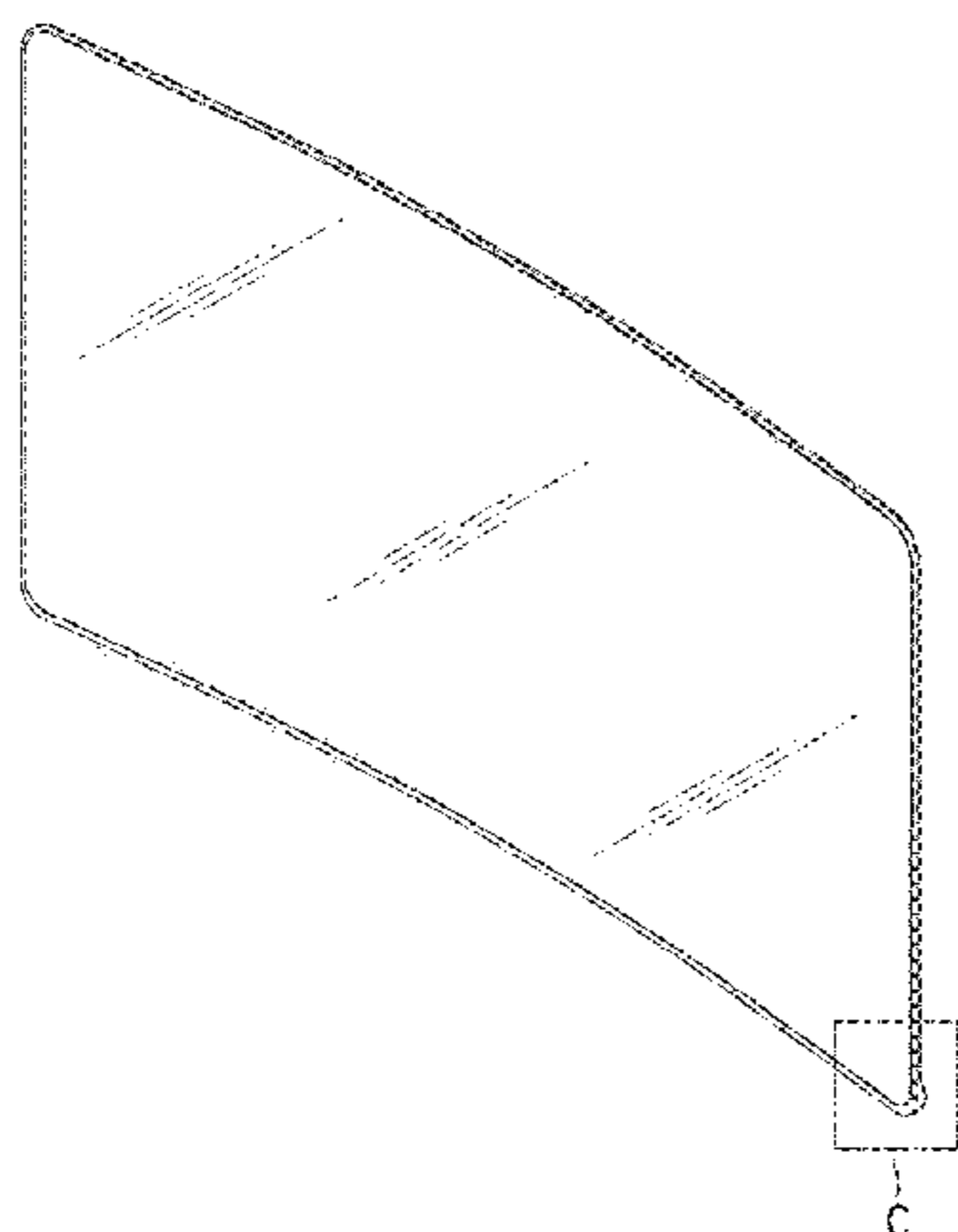


FIG. 23 is a front view of the display device of FIG. 13 illustrating that images can be displayed on the display device of FIG. 13, the images being shown for reference only and forming no part of the claimed design;  
 FIG. 24 is a perspective view of a third embodiment of the display device;  
 FIG. 25 is a front view of the display device of FIG. 24;  
 FIG. 26 is a rear view of the display device of FIG. 24;  
 FIG. 27 is a left side view of the display device of FIG. 24, with the right side being a mirror image;  
 FIG. 28 is a top view of the display device of FIG. 24;  
 FIG. 29 is a bottom view of the display device of FIG. 24;  
 FIG. 30 is another perspective view of the display device of FIG. 24;  
 FIG. 31 is an enlarged view of the region A of the front view of FIG. 25, enlarged for magnification purposes;  
 FIG. 32 is an enlarged view of the region B of the front view of FIG. 25, enlarged for magnification purposes;  
 FIG. 33 is an enlarged view of the region C of the perspective view of FIG. 24, enlarged for magnification purposes;  
 FIG. 34 is a cross-sectional view of the display device taken along line 34-34 as shown in FIG. 25; and,  
 FIG. 35 is a front view of the display device of FIG. 24 illustrating that images can be displayed on the display device of FIG. 24, the images being shown for reference only and forming no part of the claimed design.  
 The broken lines shown in the drawings illustrate portions of the display device that form no part of the claimed design.

**1 Claim, 32 Drawing Sheets**

(58) **Field of Classification Search**

CPC ..... G09F 15/0025; G09F 15/0062; G09F 15/0068; G06F 1/16; G06F 1/1613; G06F 1/133308; G06F 1/1601; G06F 3/037; G06F 1/162; F16M 11/02; F16M 11/10; F16M 11/00; F16M 11/06; F16M 11/18; F16M 11/045; F16M 11/105; F16M 11/041; F16M 11/126; F16M 11/04; F16M 11/24; F16M 13/02; A47F 5/00  
 See application file for complete search history.

(56) **References Cited**

U.S. PATENT DOCUMENTS

D669,076	S	*	10/2012	Haller	.....	D14/374
D673,129	S	*	12/2012	Kumano	.....	D14/126
D727,900	S		4/2015	Lee et al.		
D727,923	S		4/2015	Yum et al.		
D729,798	S		5/2015	Hwangbo et al.		
D730,353	S		5/2015	Hwangbo et al.		
D730,896	S		6/2015	Hwangbo et al.		
D730,897	S		6/2015	Hwangbo et al.		
D730,898	S		6/2015	Hwangbo et al.		
D732,030	S		6/2015	Hwangbo et al.		
D732,031	S		6/2015	Hwangbo et al.		
D734,282	S		7/2015	Shin et al.		
D745,518	S		12/2015	Cho et al.		
D745,519	S		12/2015	Cho et al.		

\* cited by examiner

FIG. 1

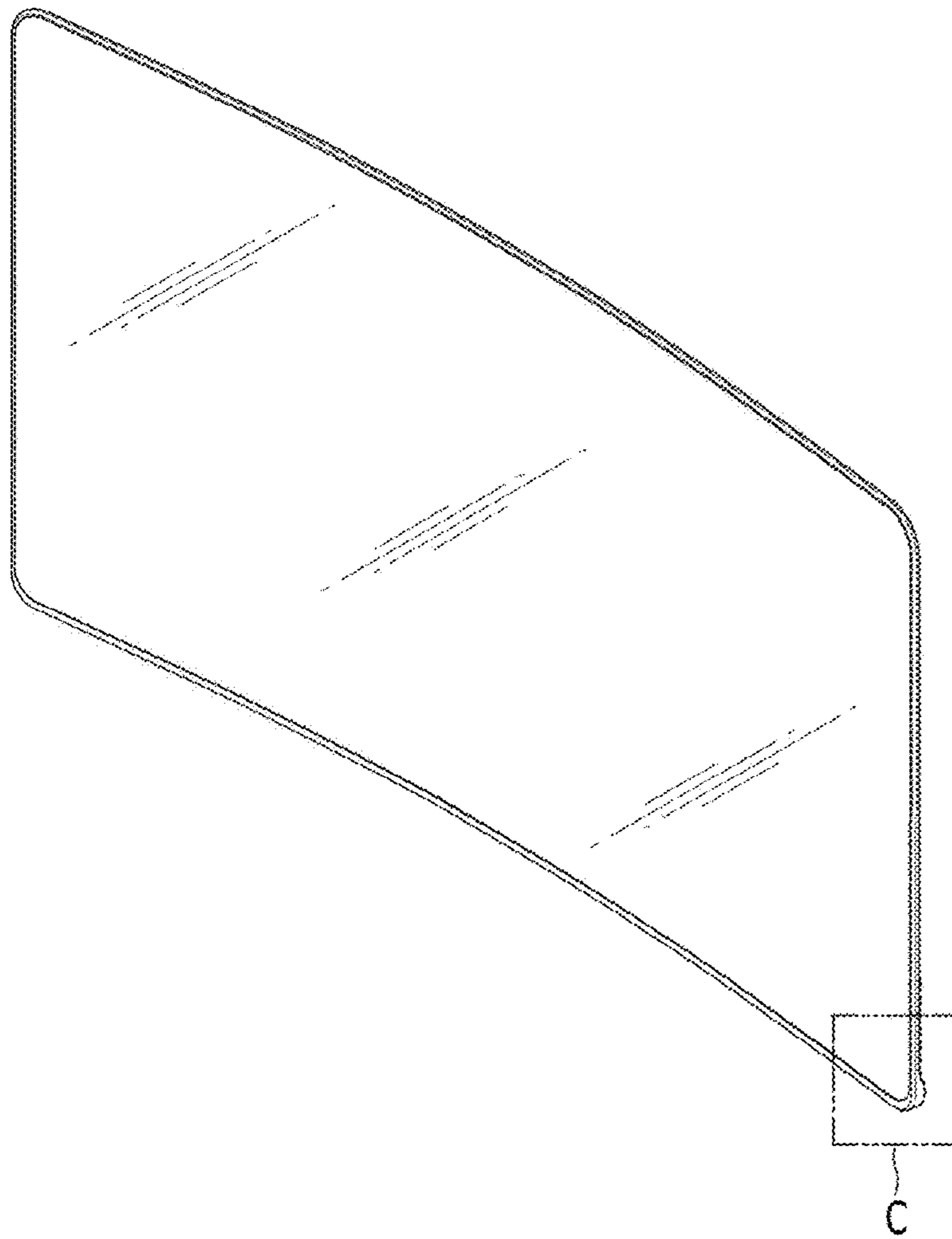


FIG. 2

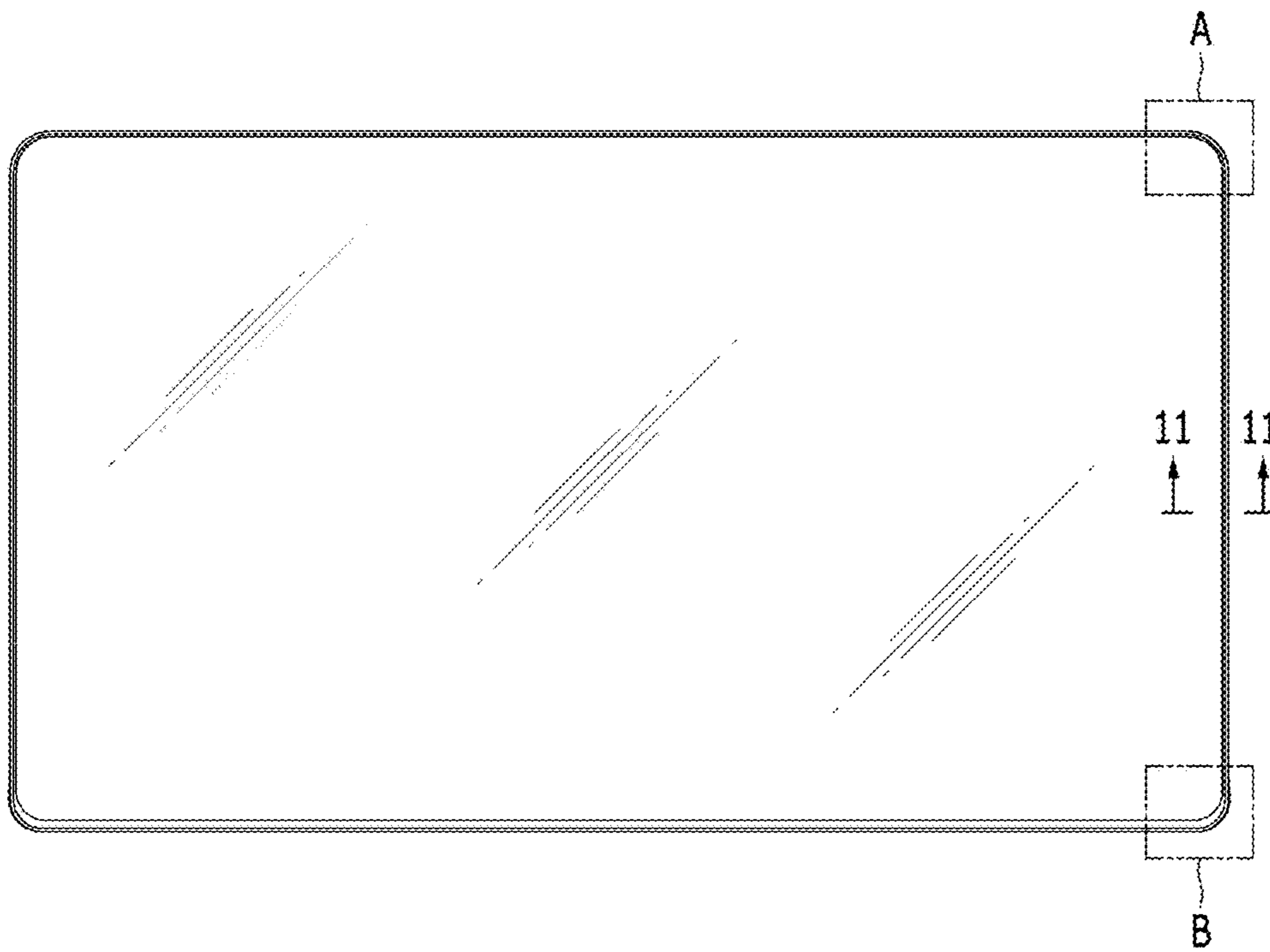


FIG. 3

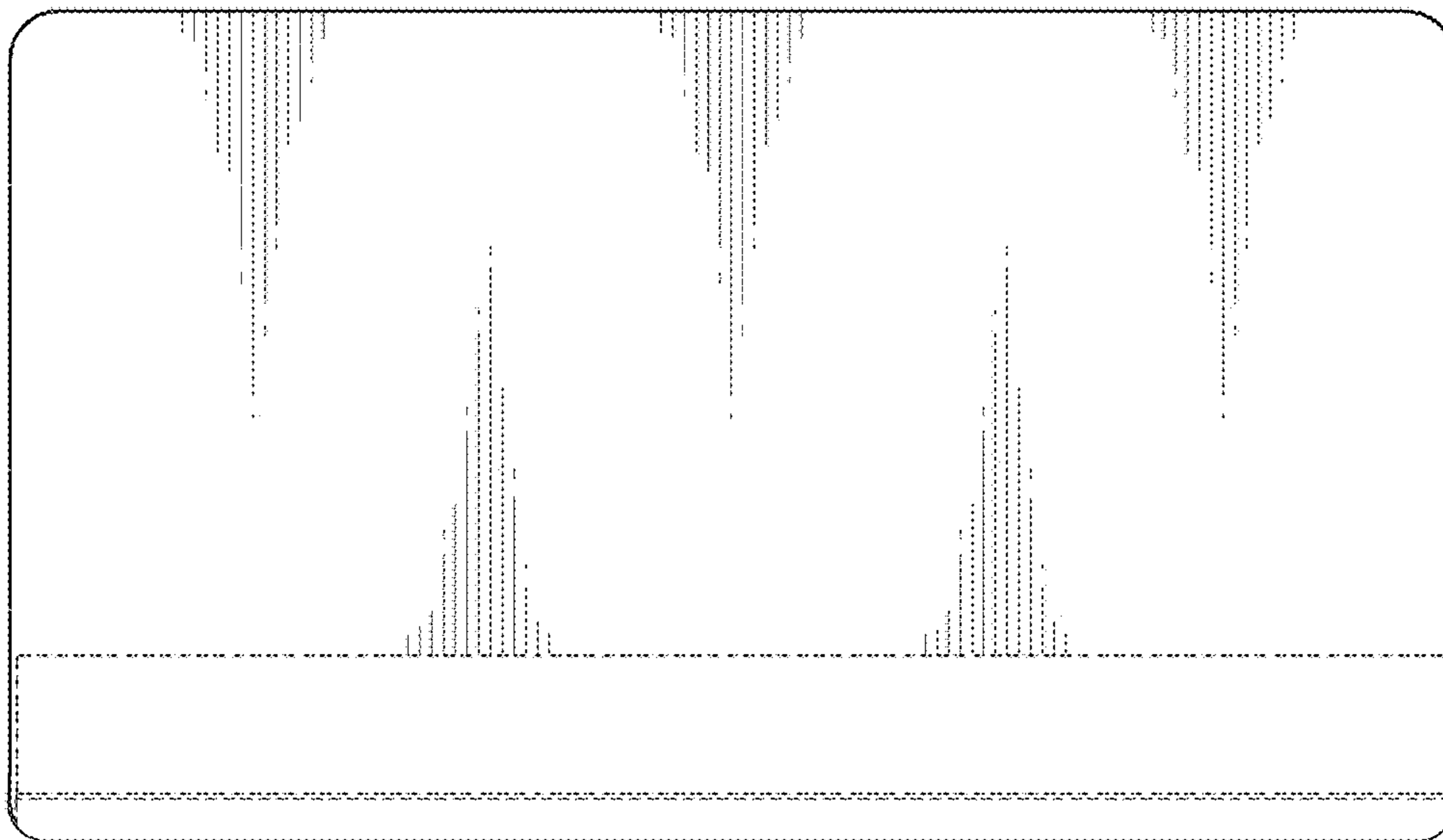


FIG. 4

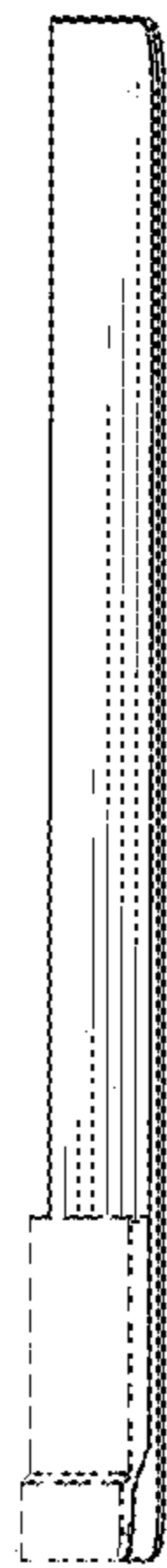


FIG. 5



FIG. 6



FIG. 7

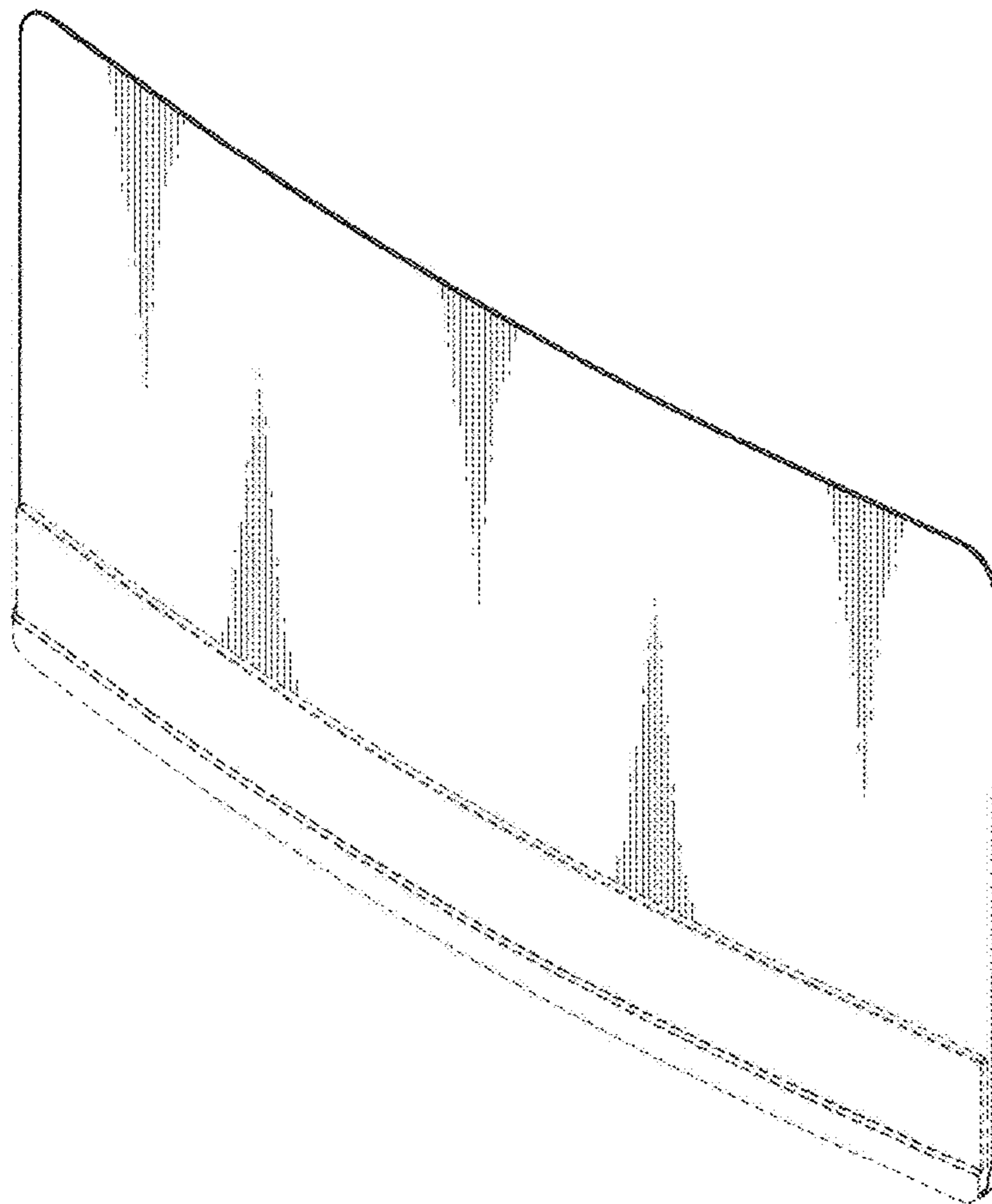




FIG. 8

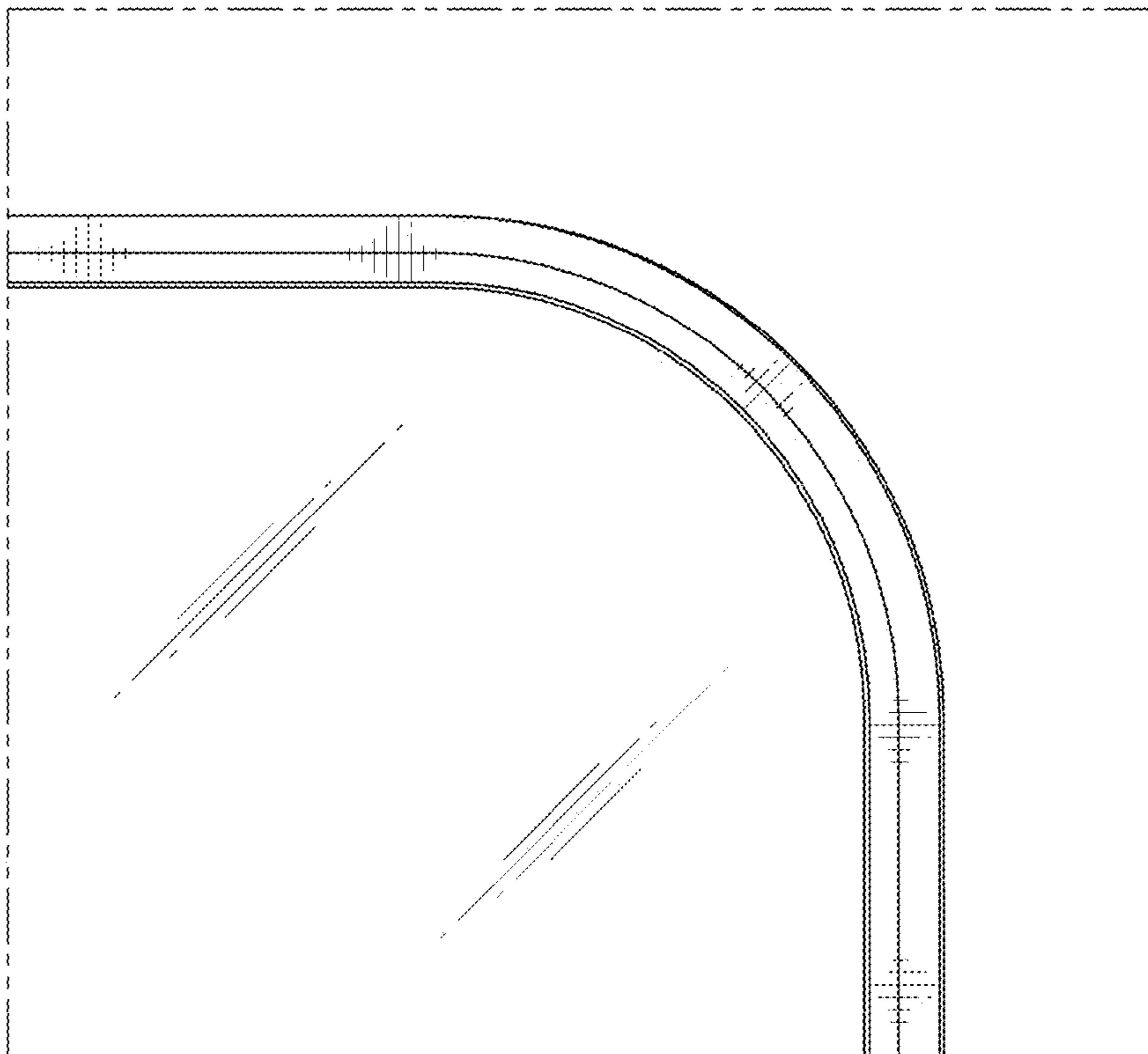


FIG. 9

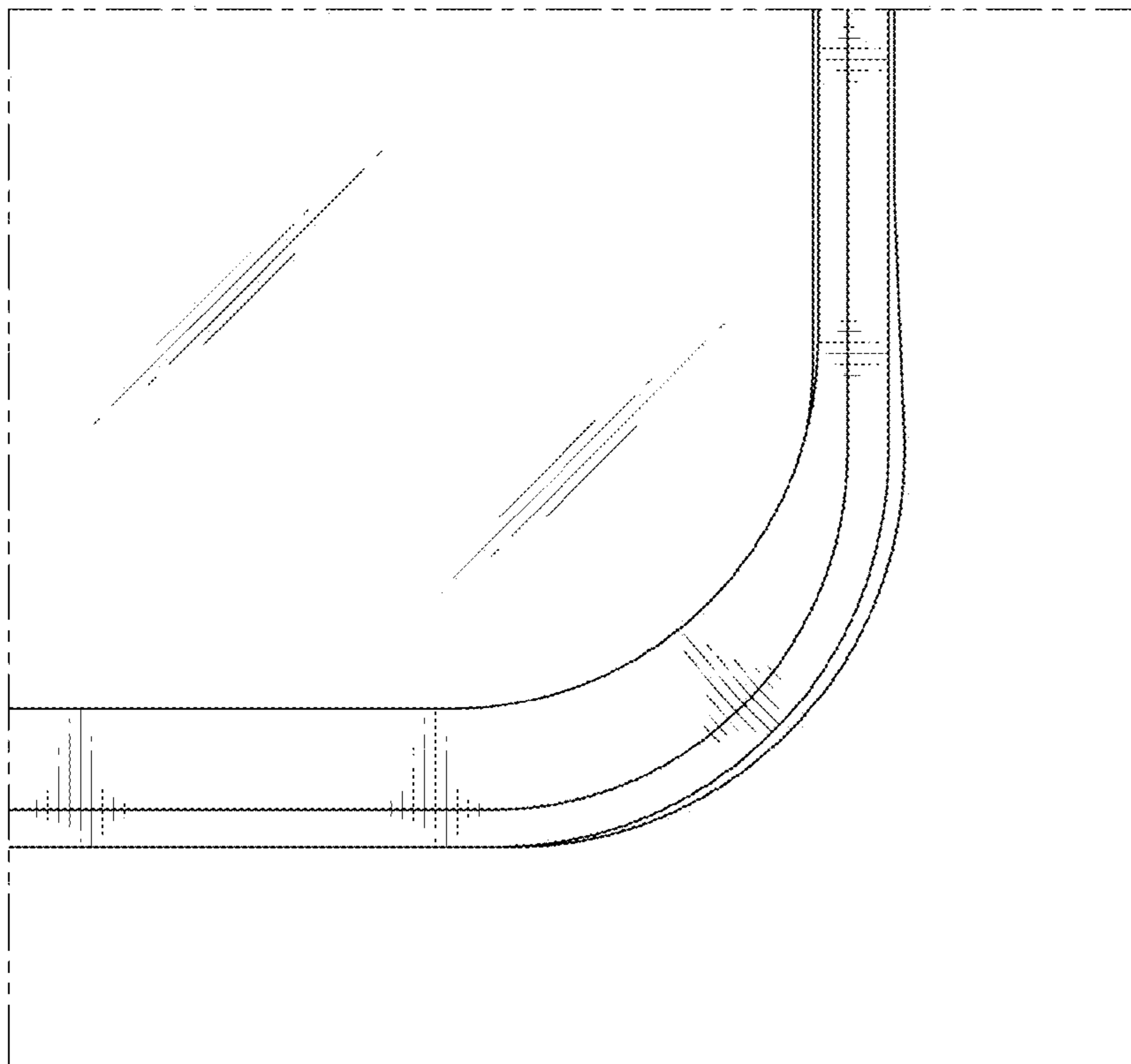


FIG. 10

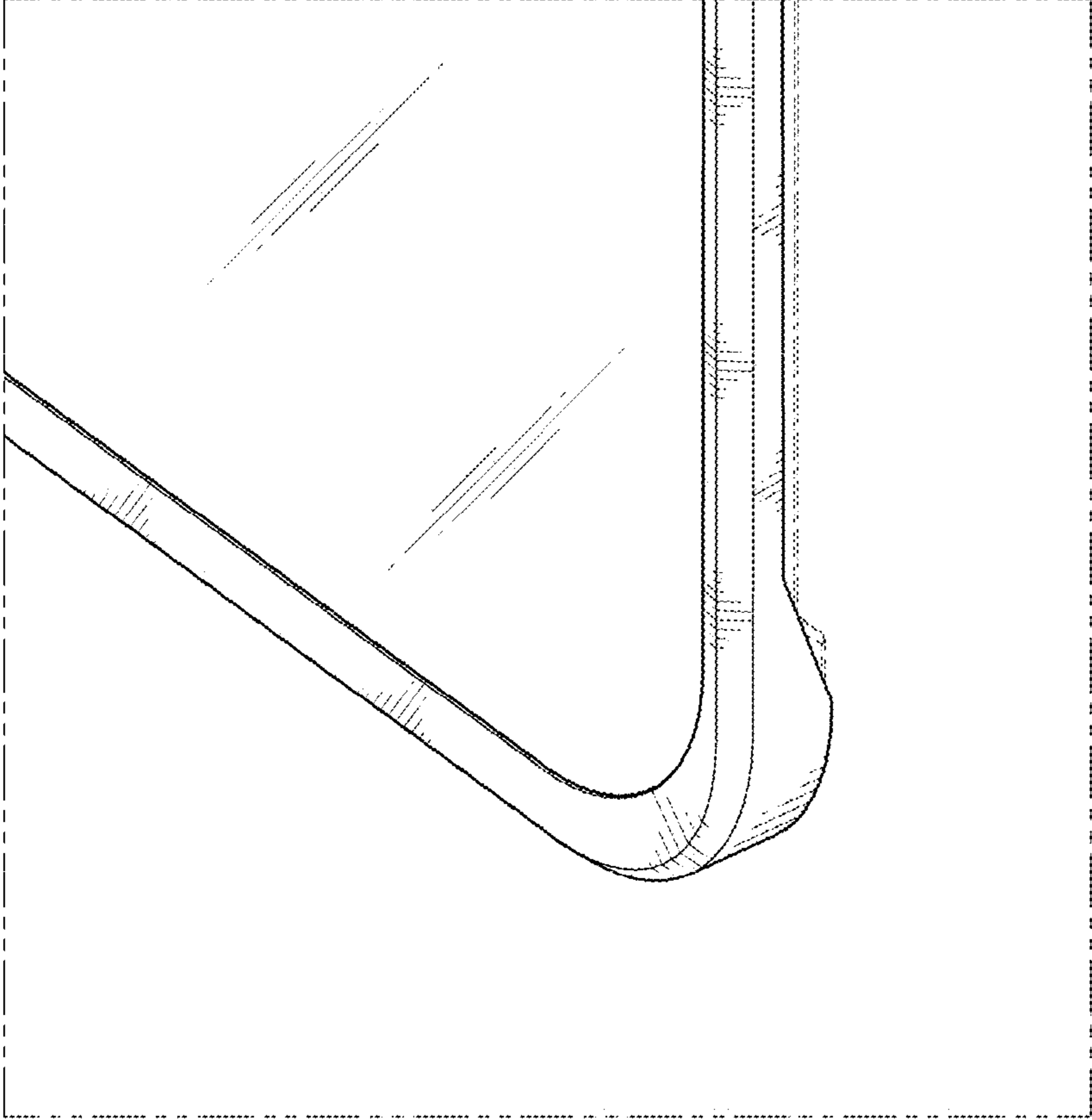


FIG. 11

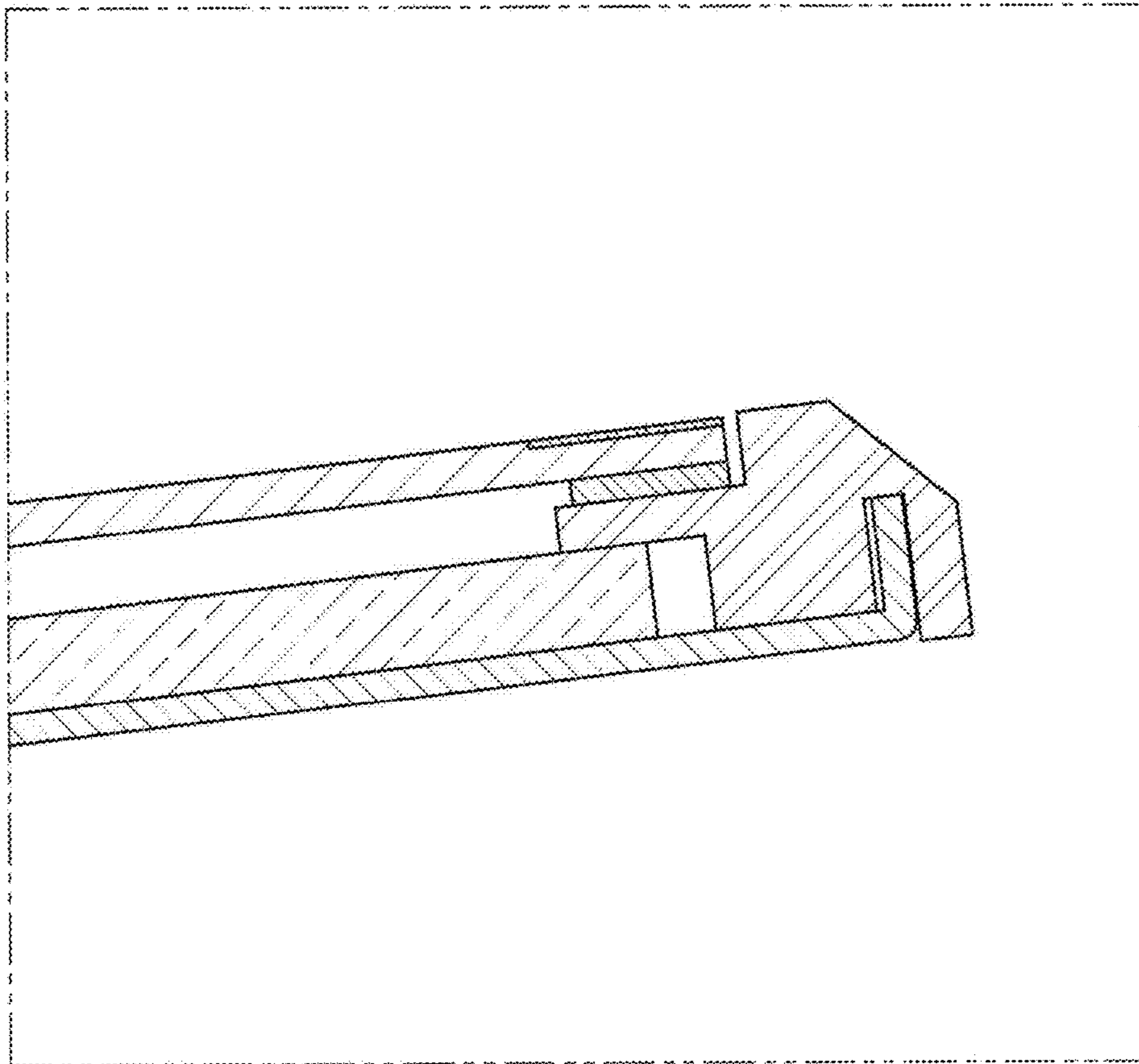


FIG. 12

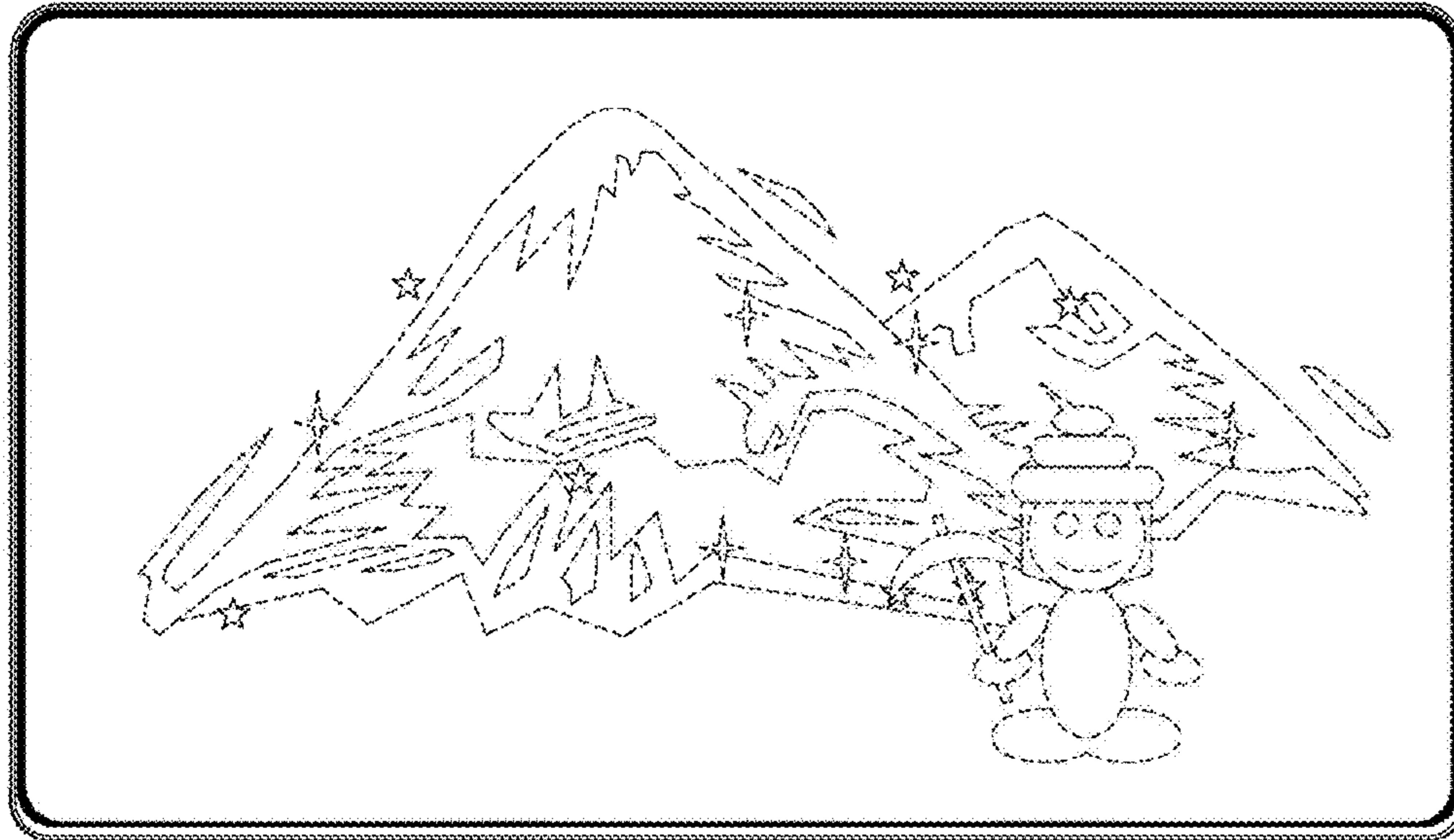


FIG. 13

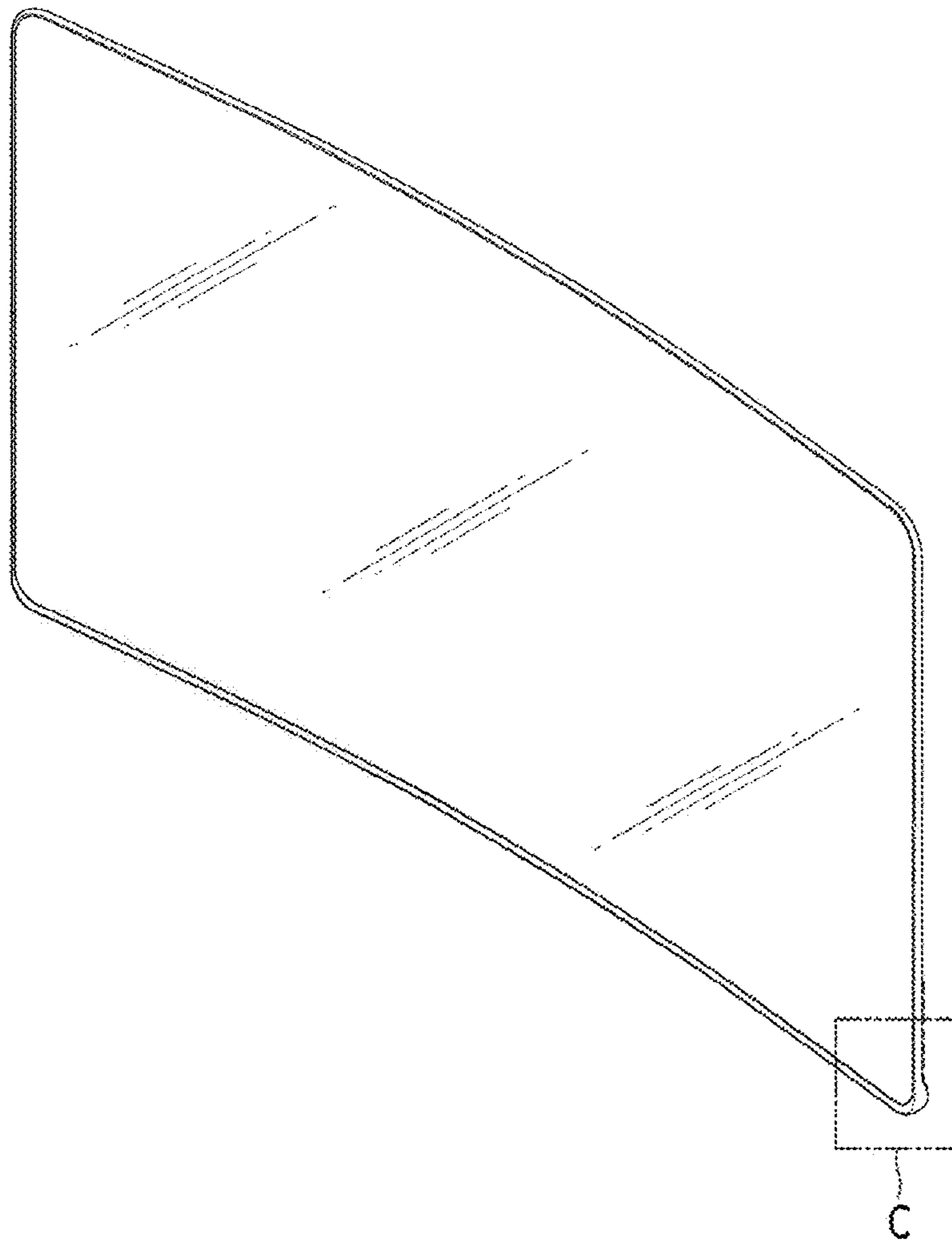


FIG. 14

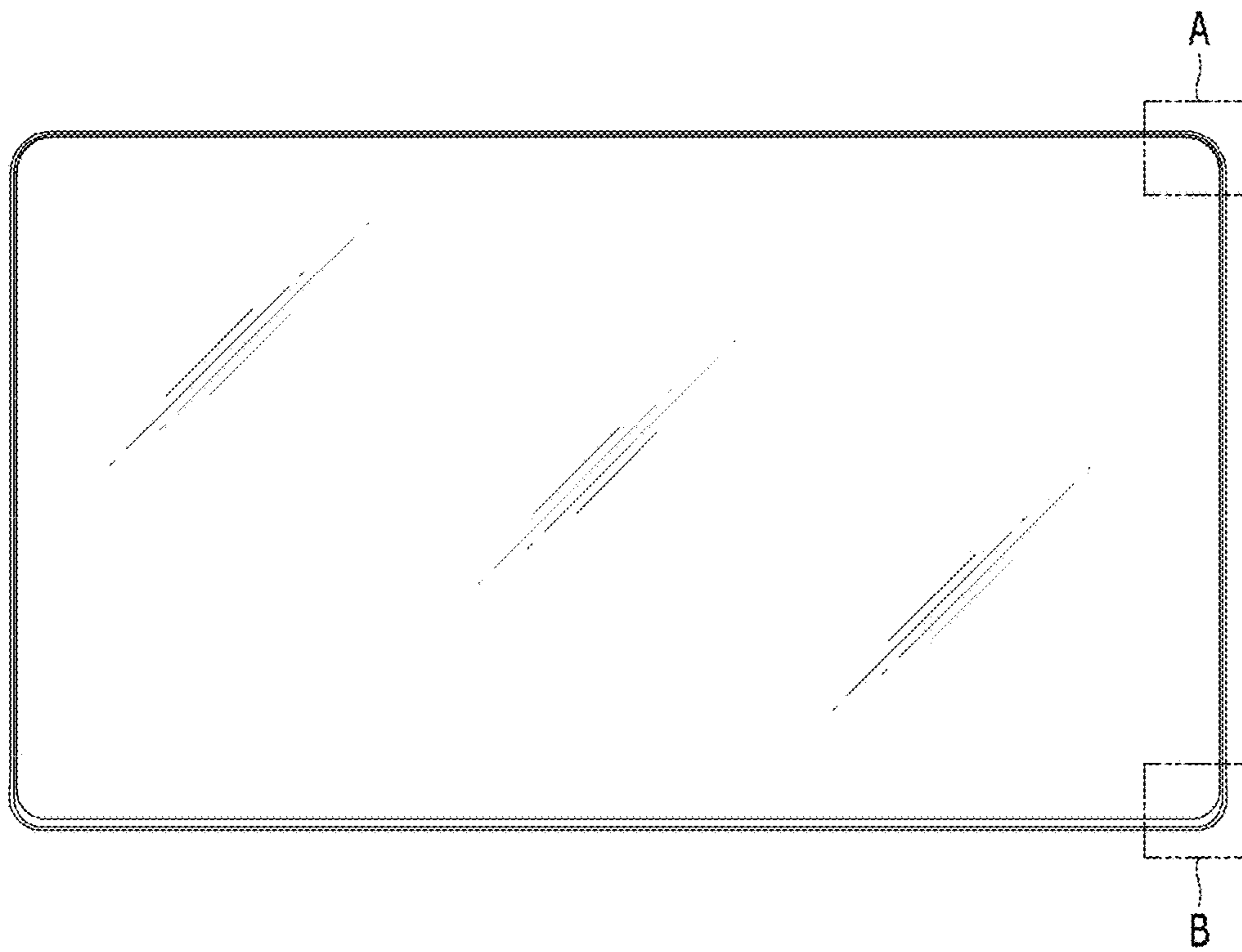


FIG. 15

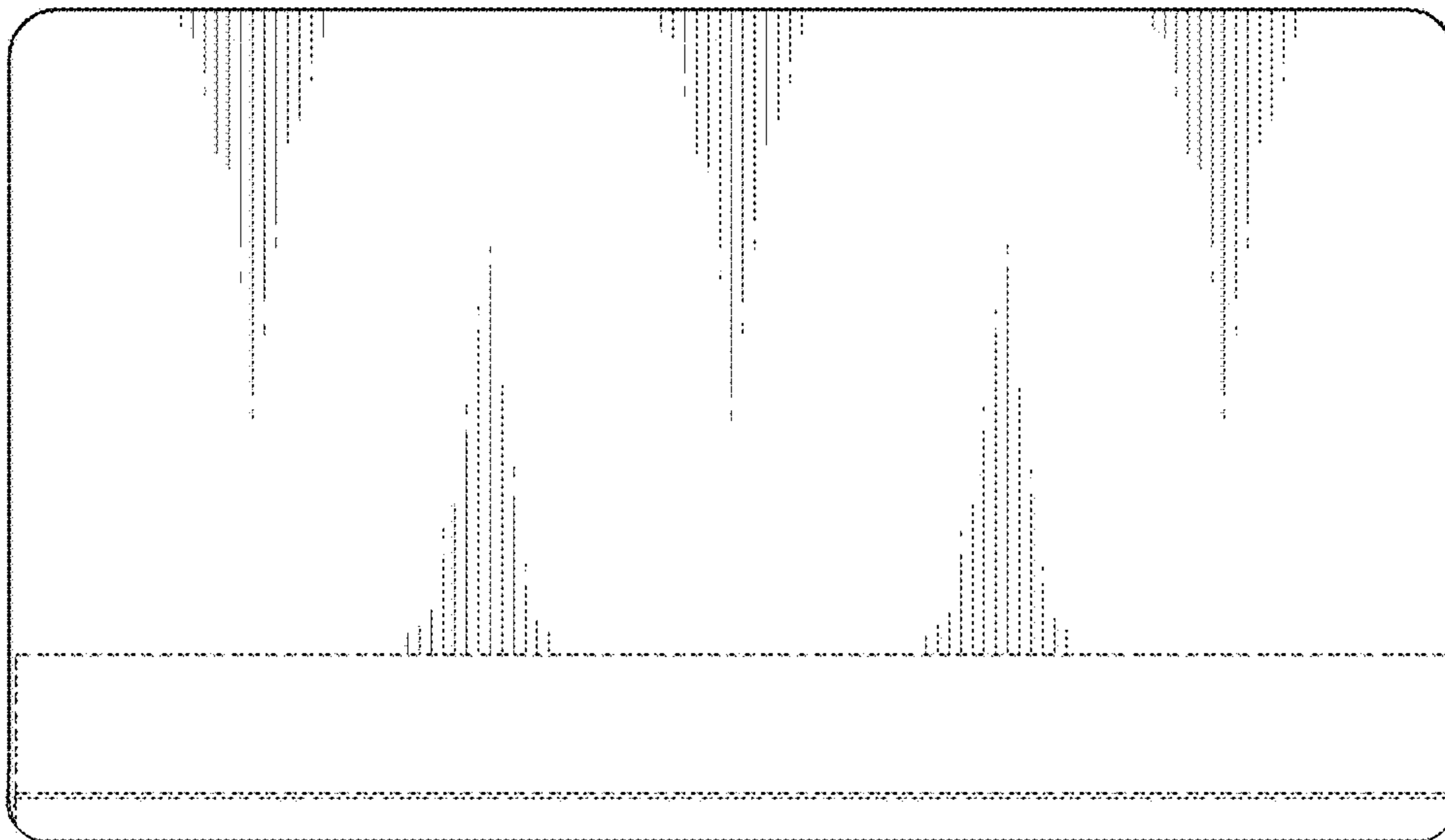




FIG. 16



FIG. 17



FIG. 18



FIG. 19

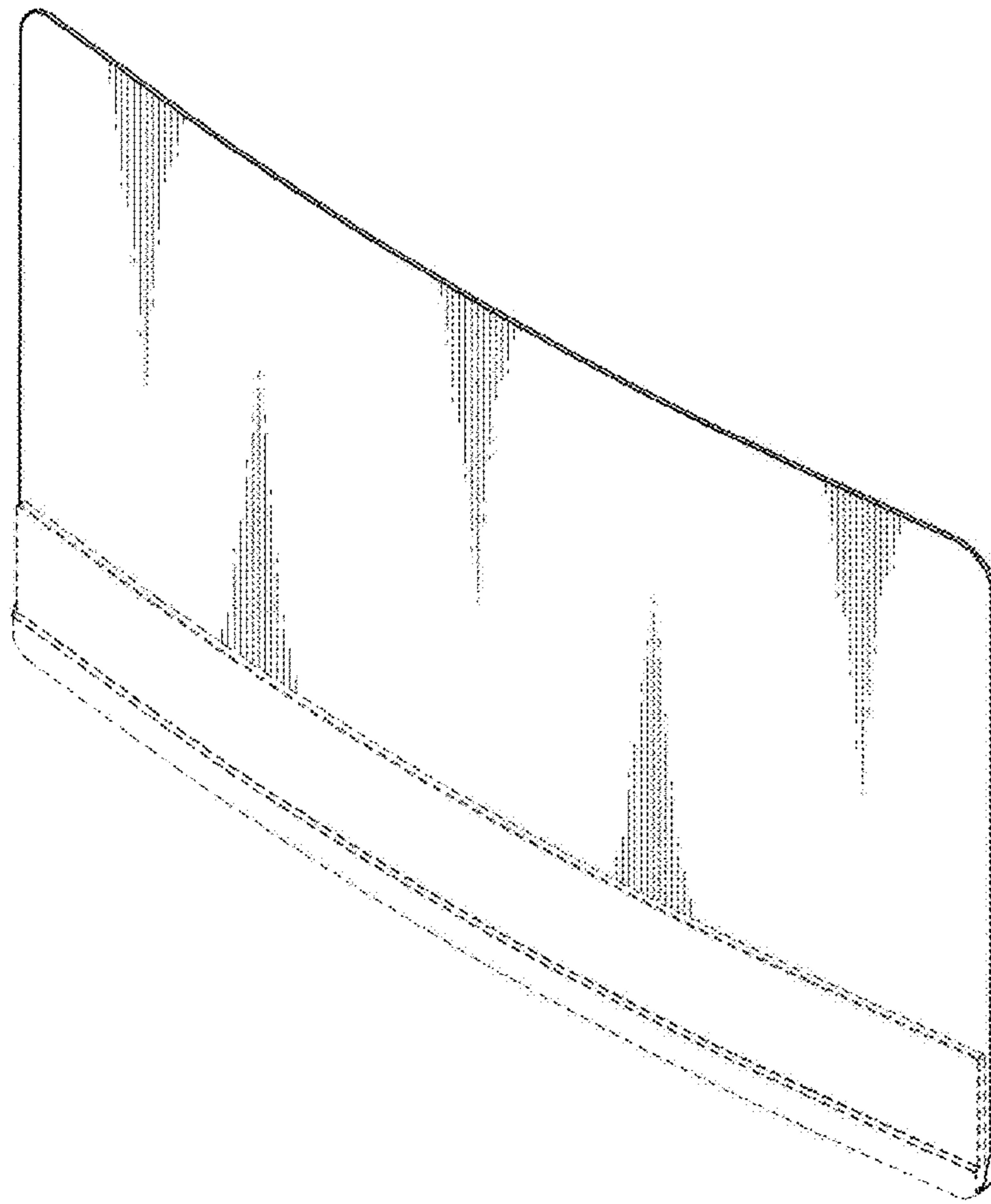


FIG. 20

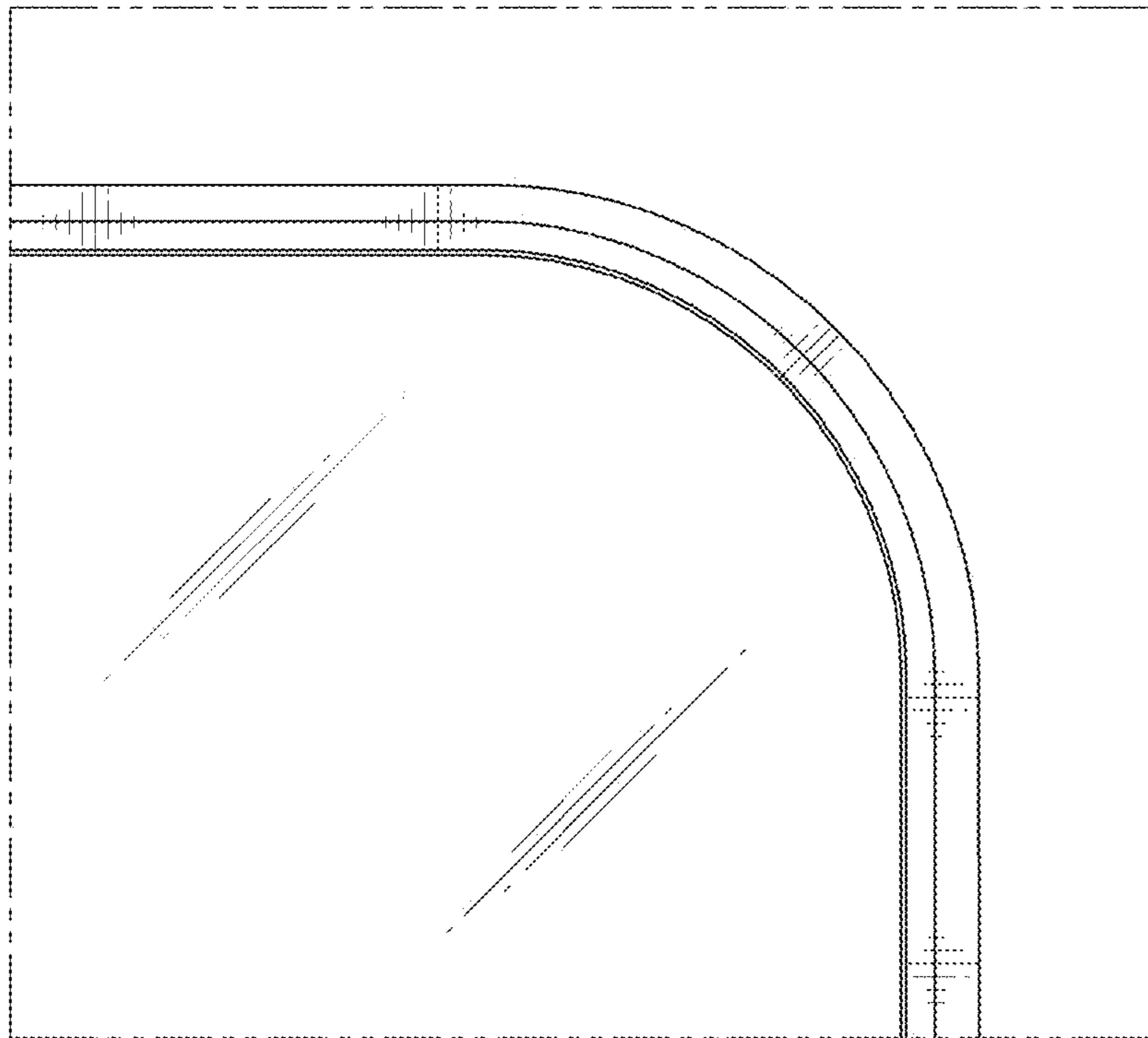


FIG. 21

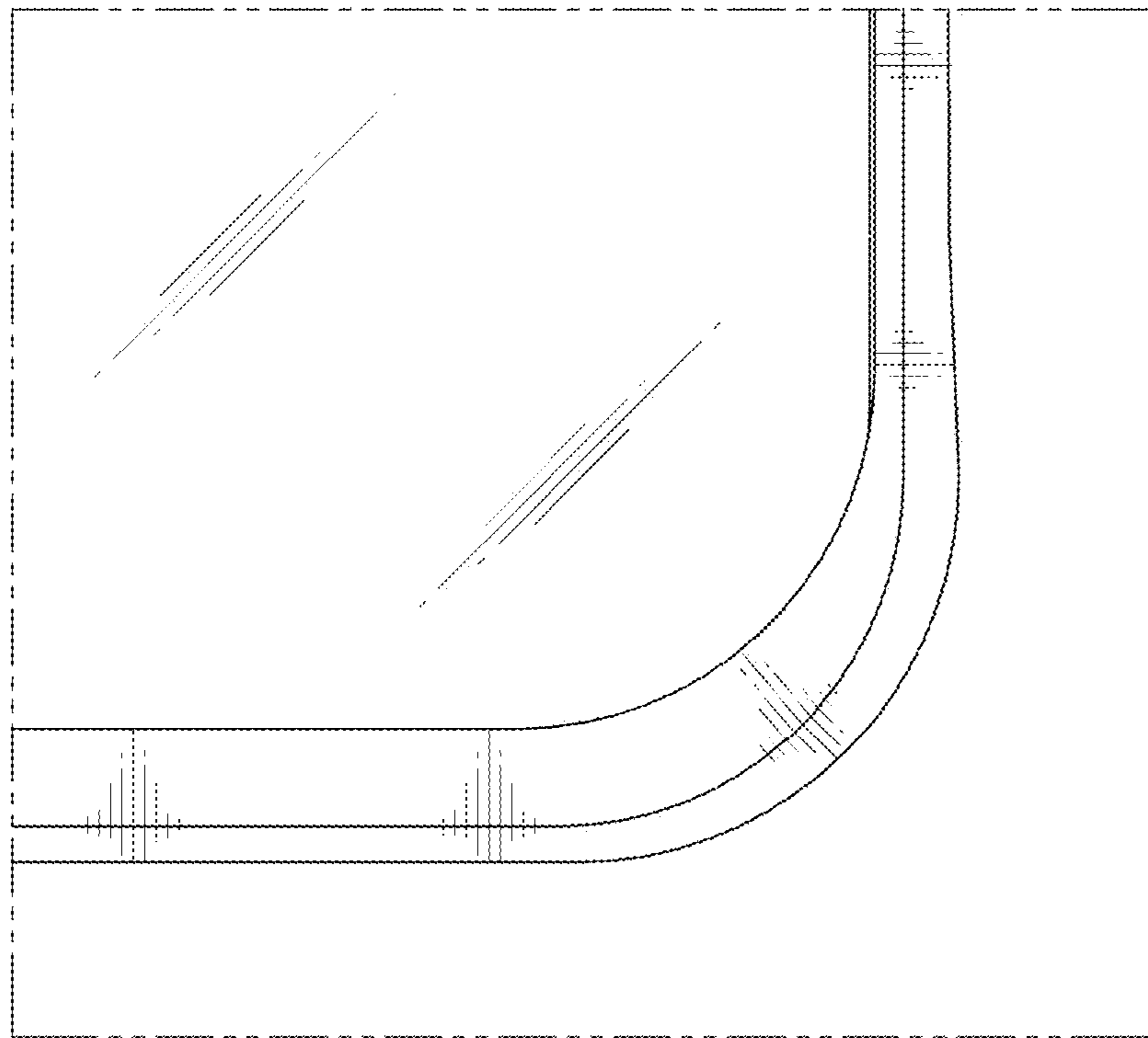


FIG. 22

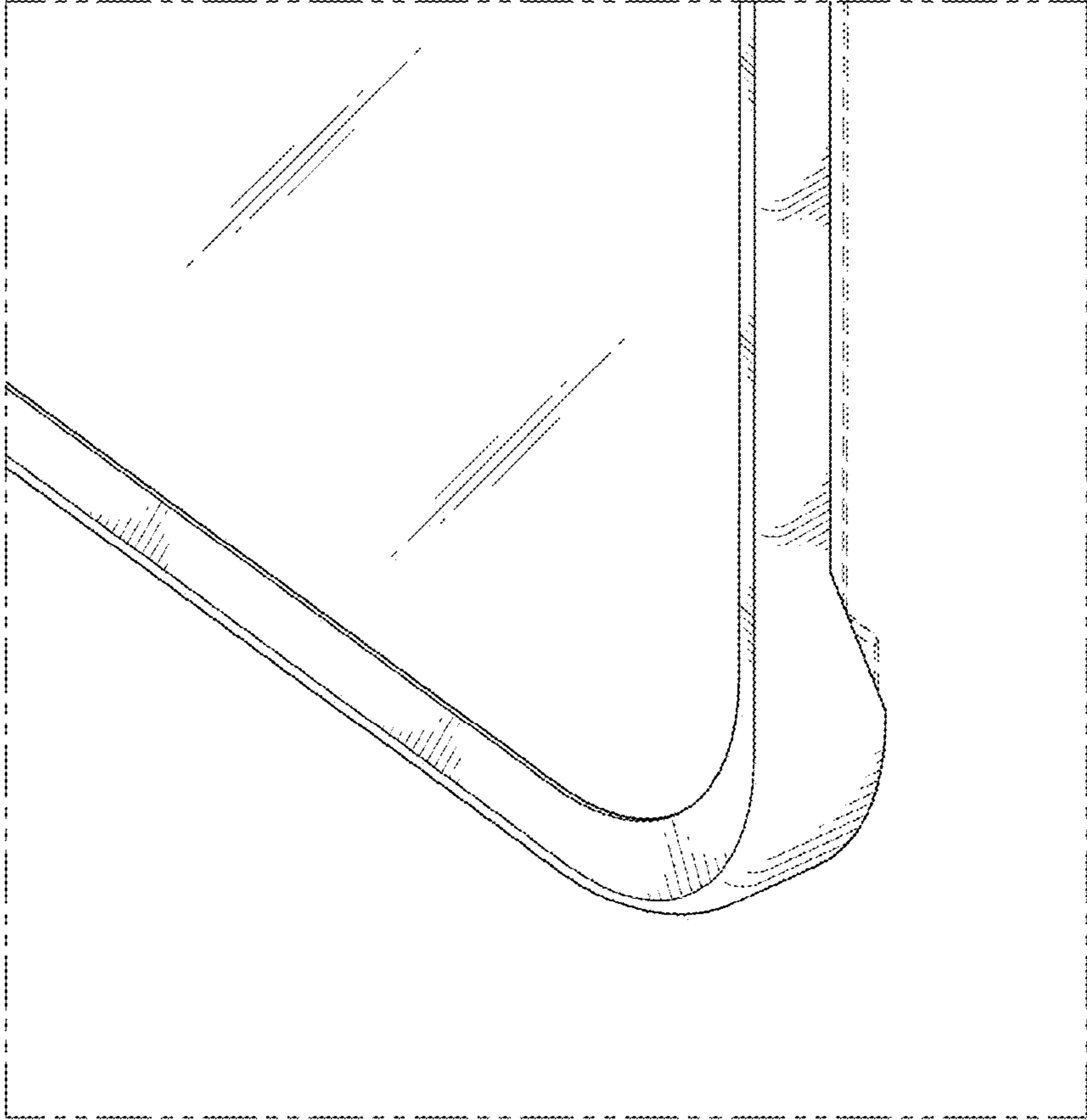


FIG. 23

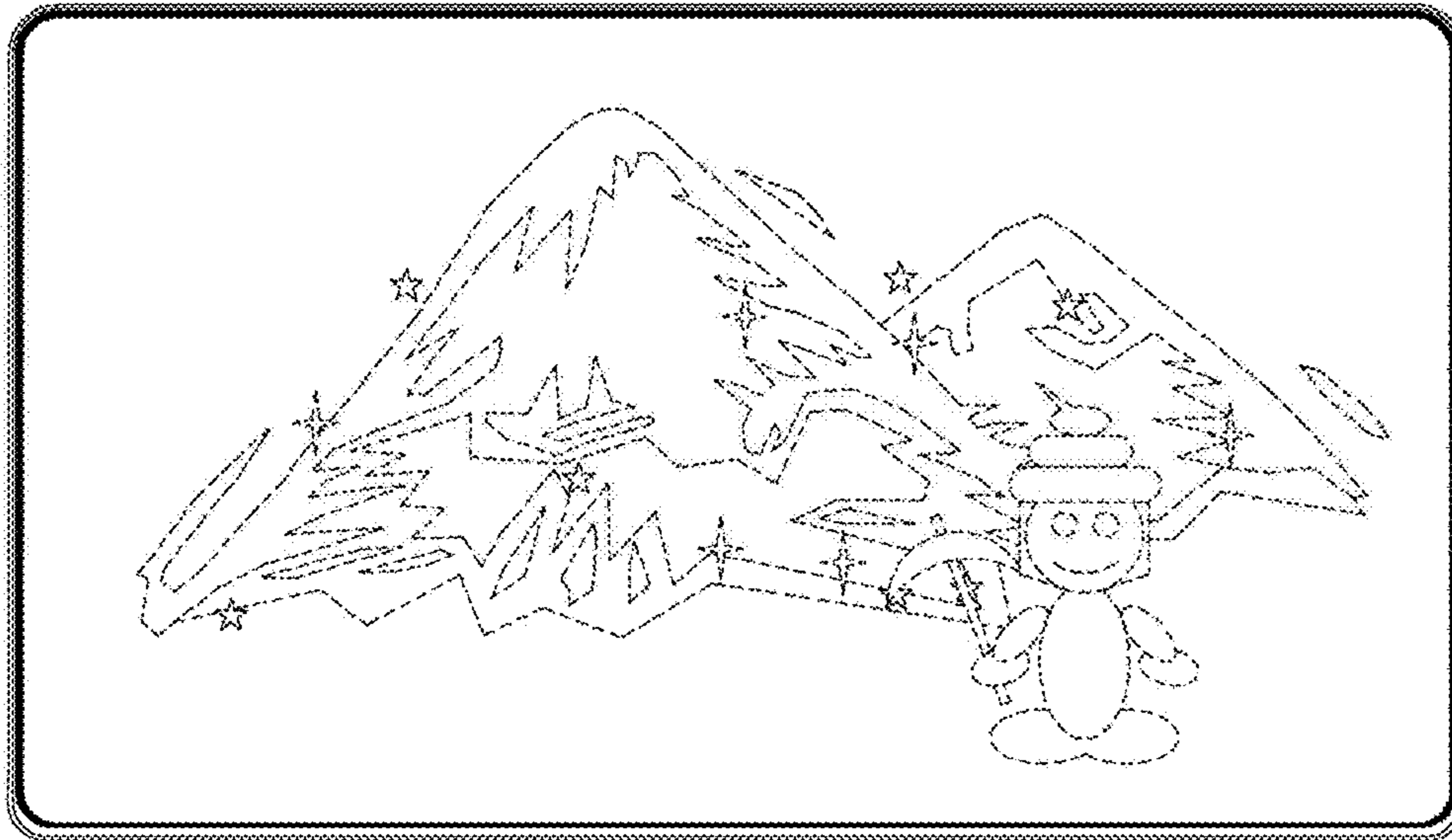


FIG. 24

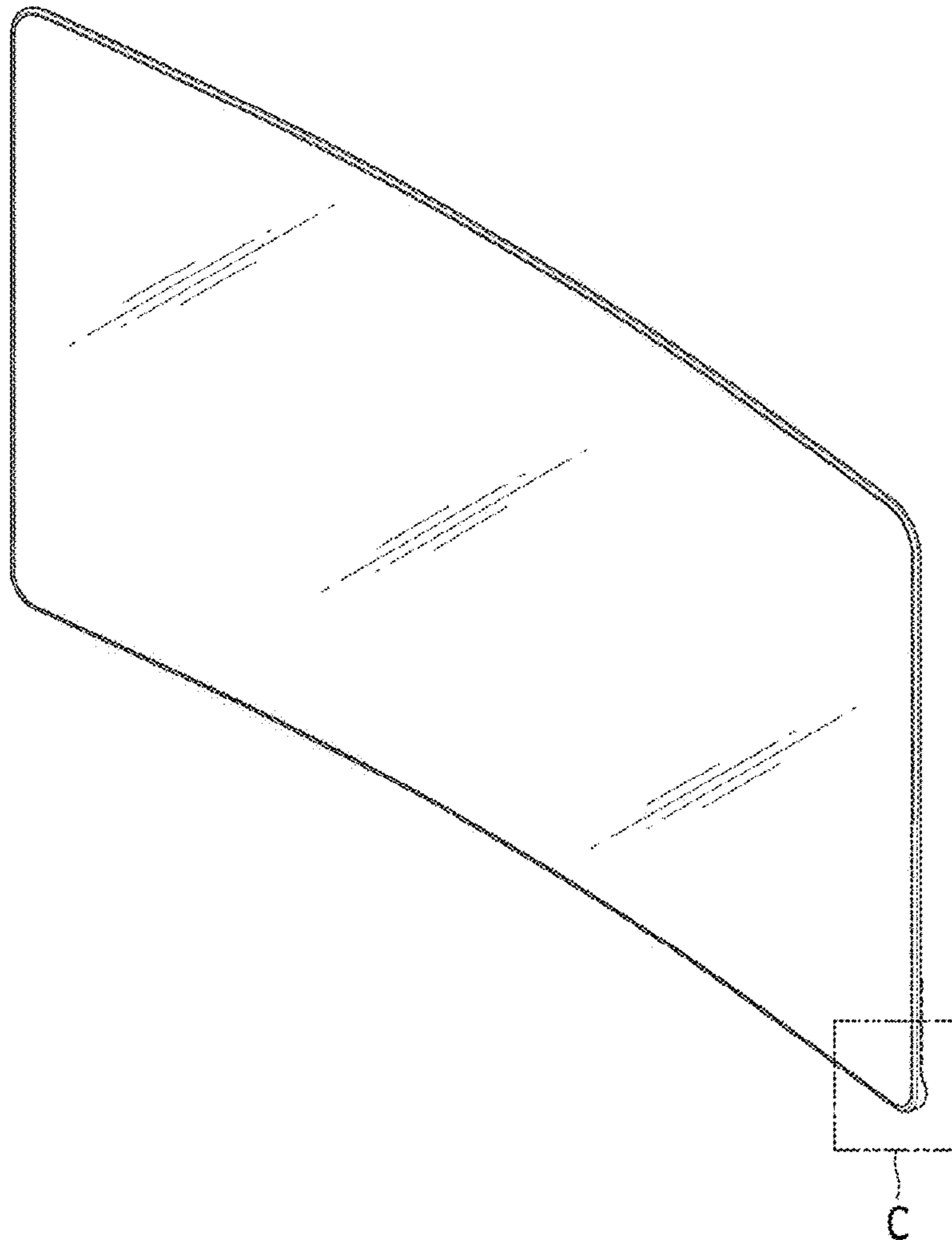




FIG. 25

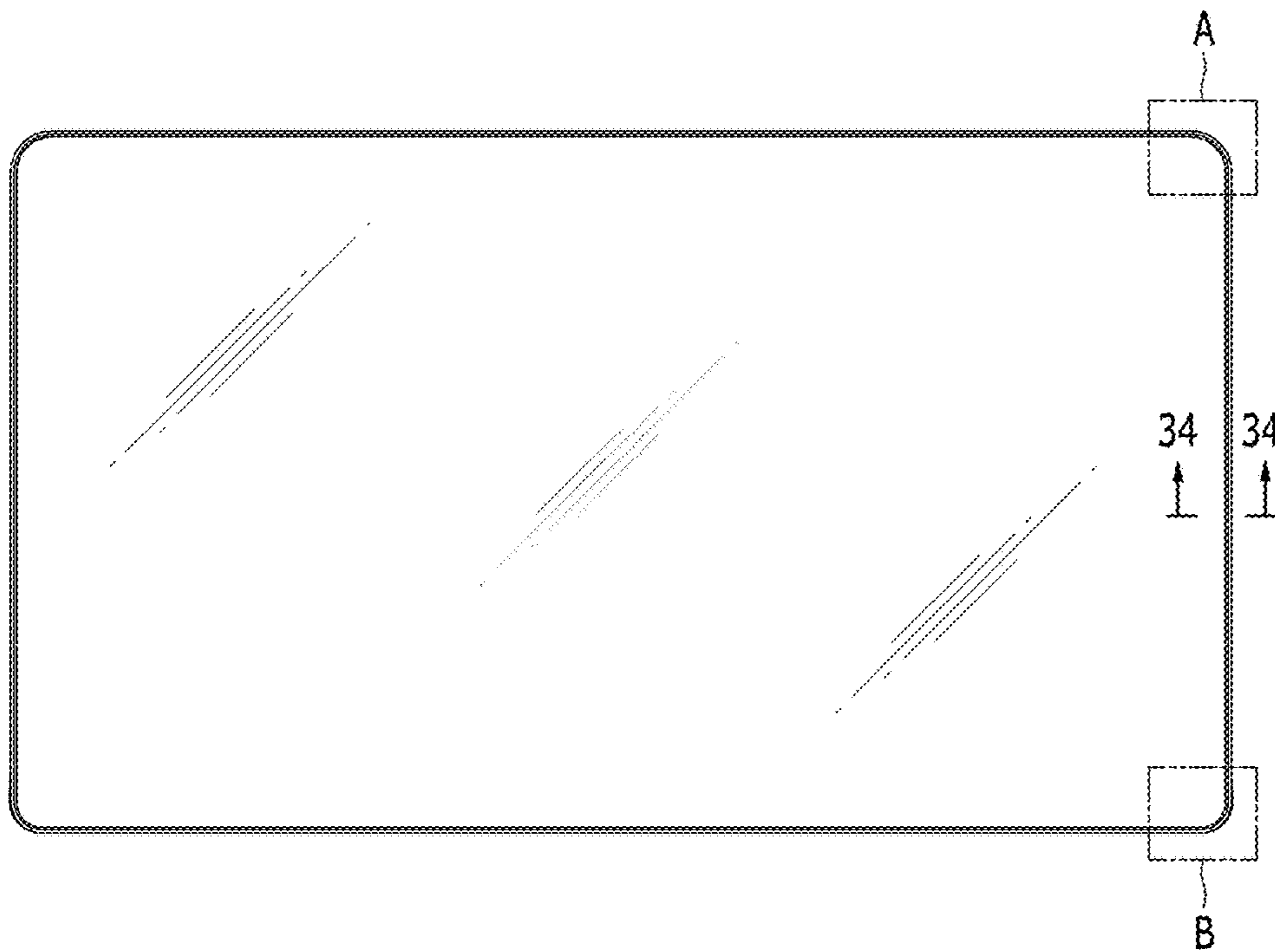


FIG. 26

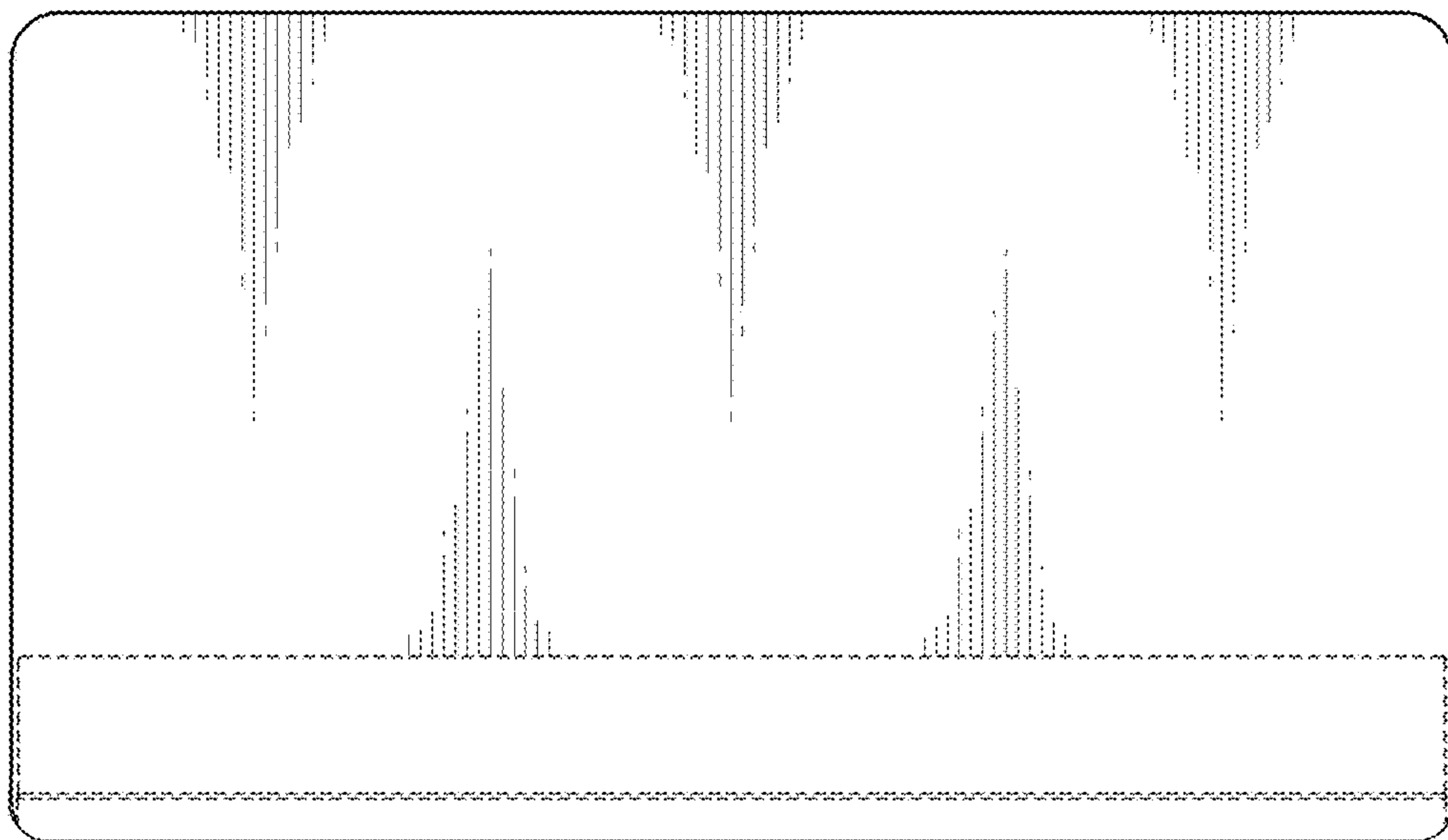


FIG. 27

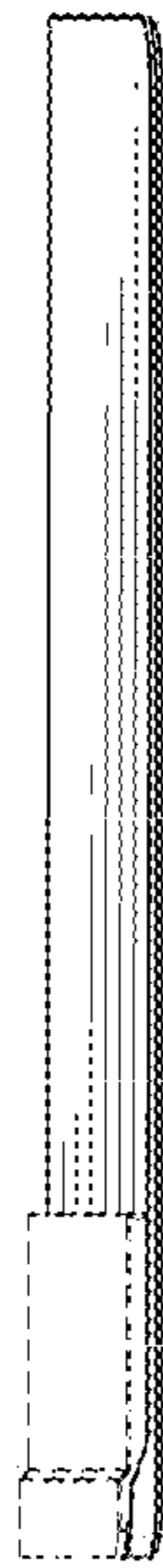


FIG. 28



FIG. 29



FIG. 30

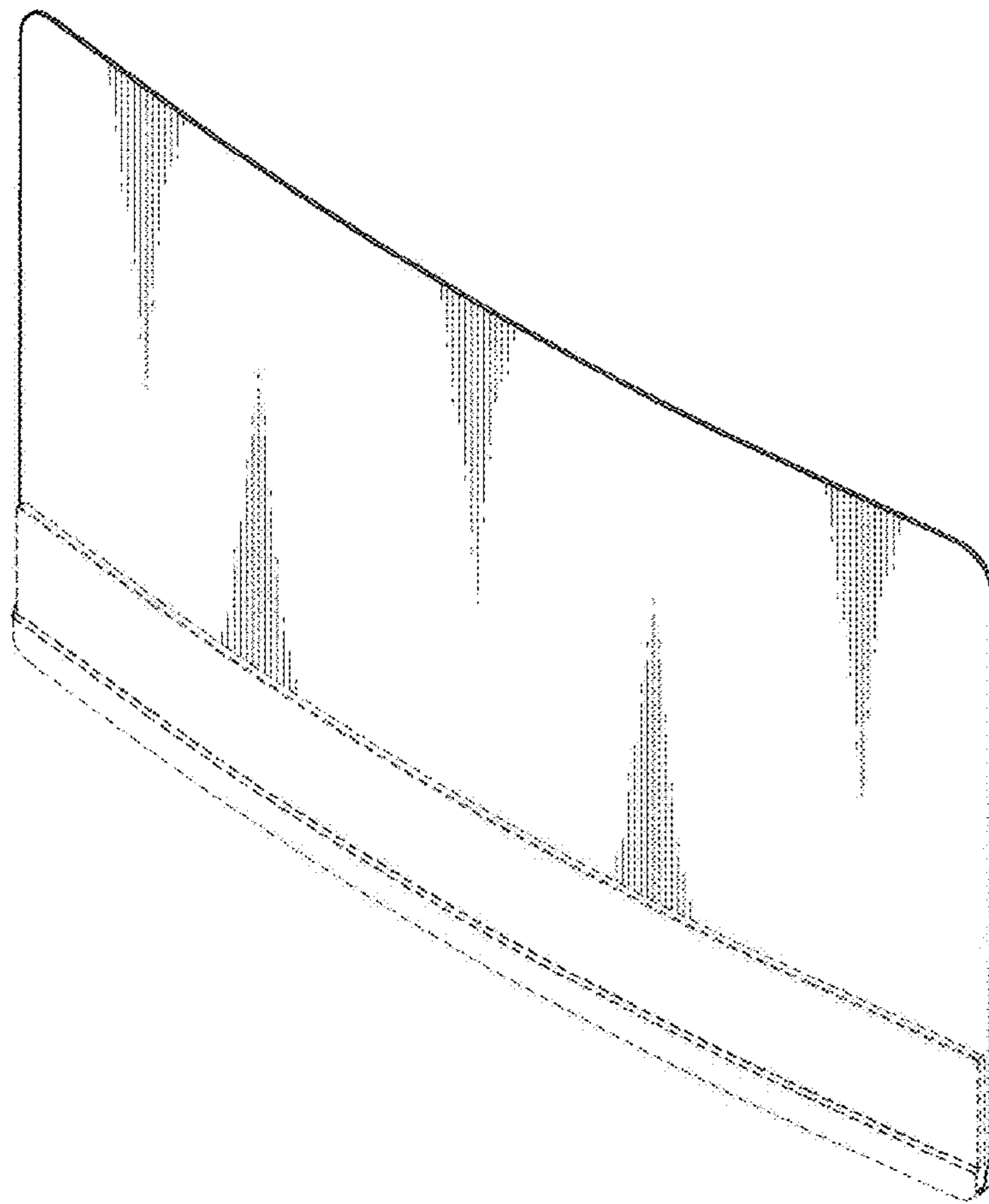


FIG. 31

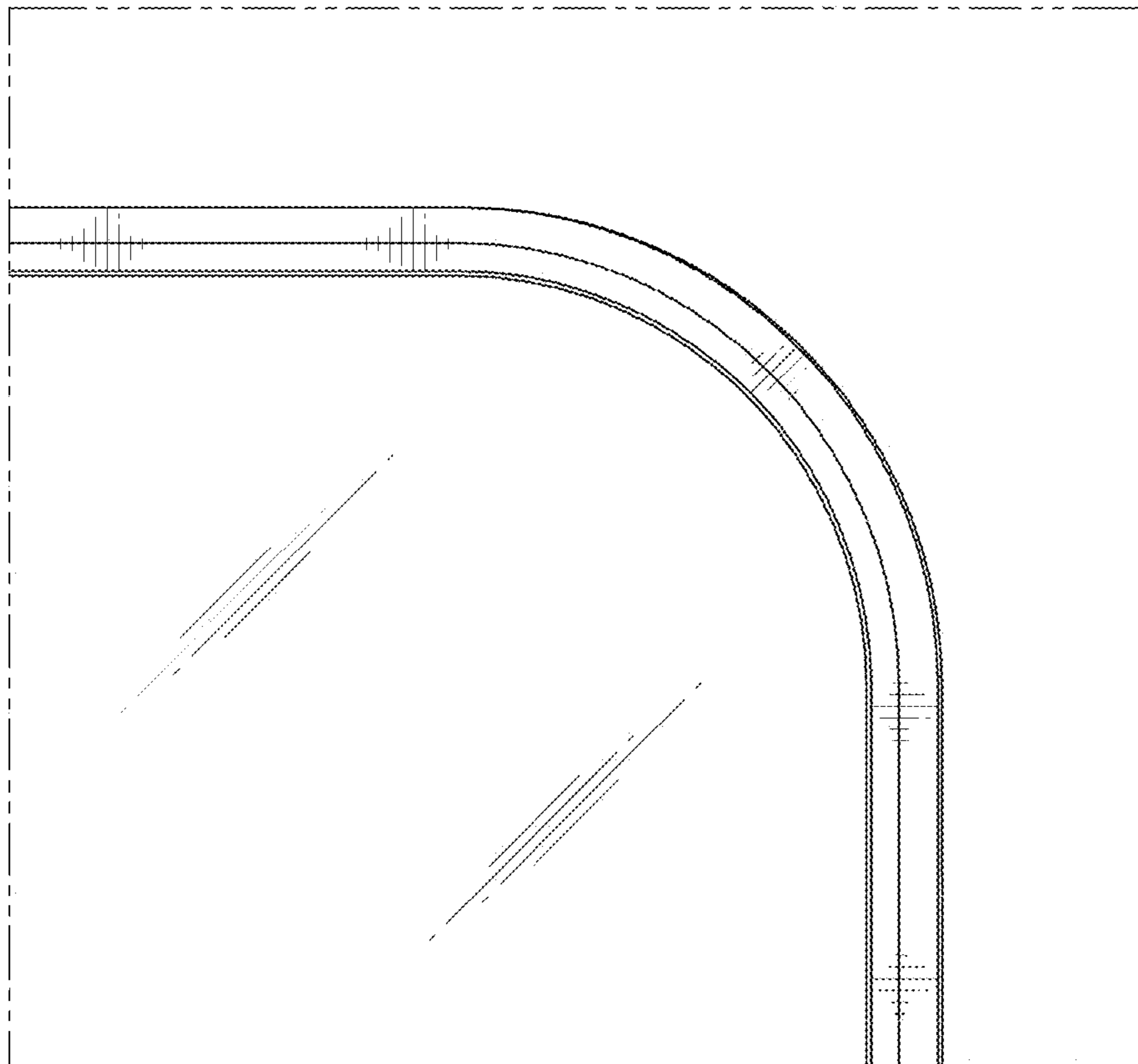


FIG. 32

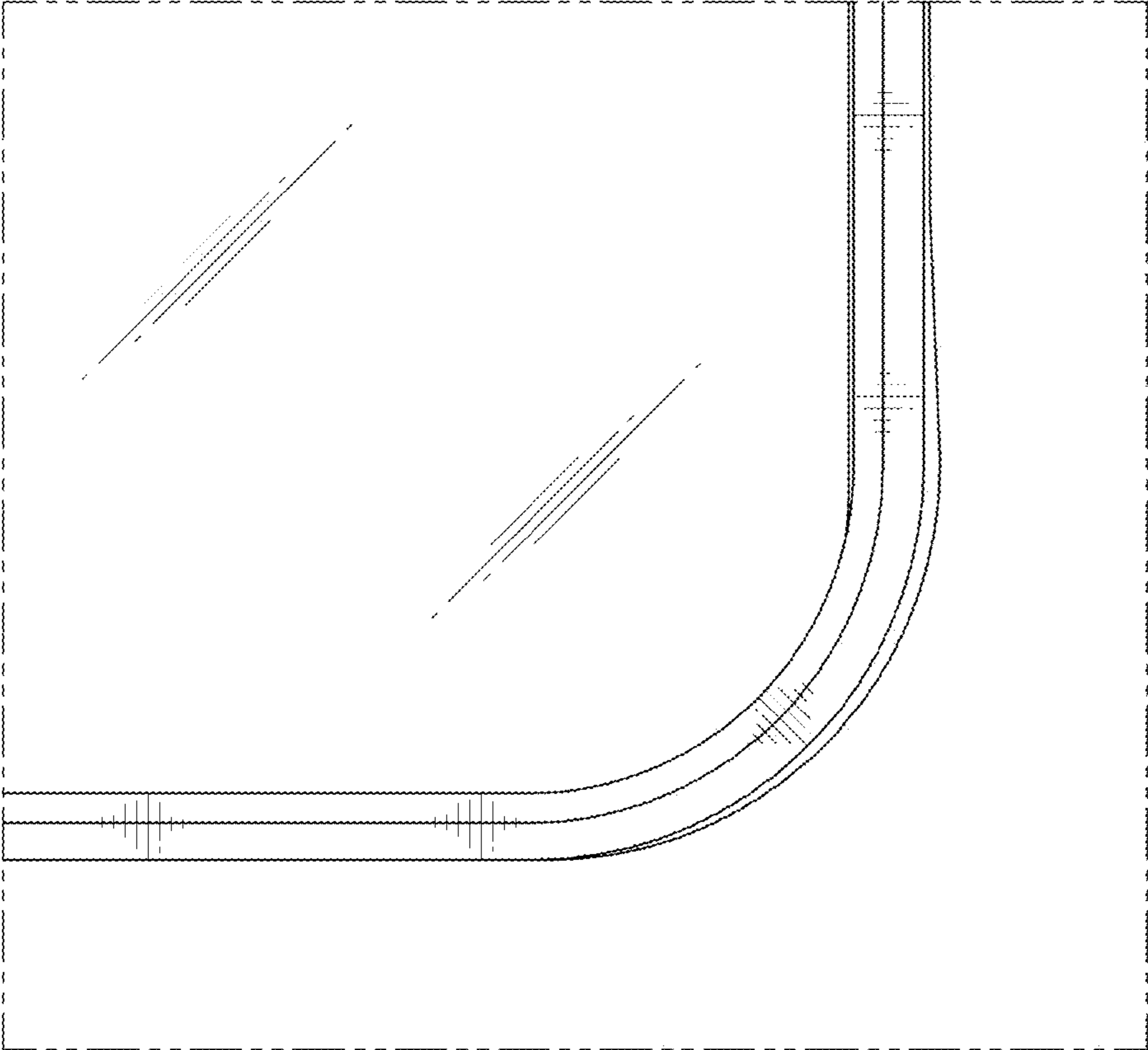


FIG. 33

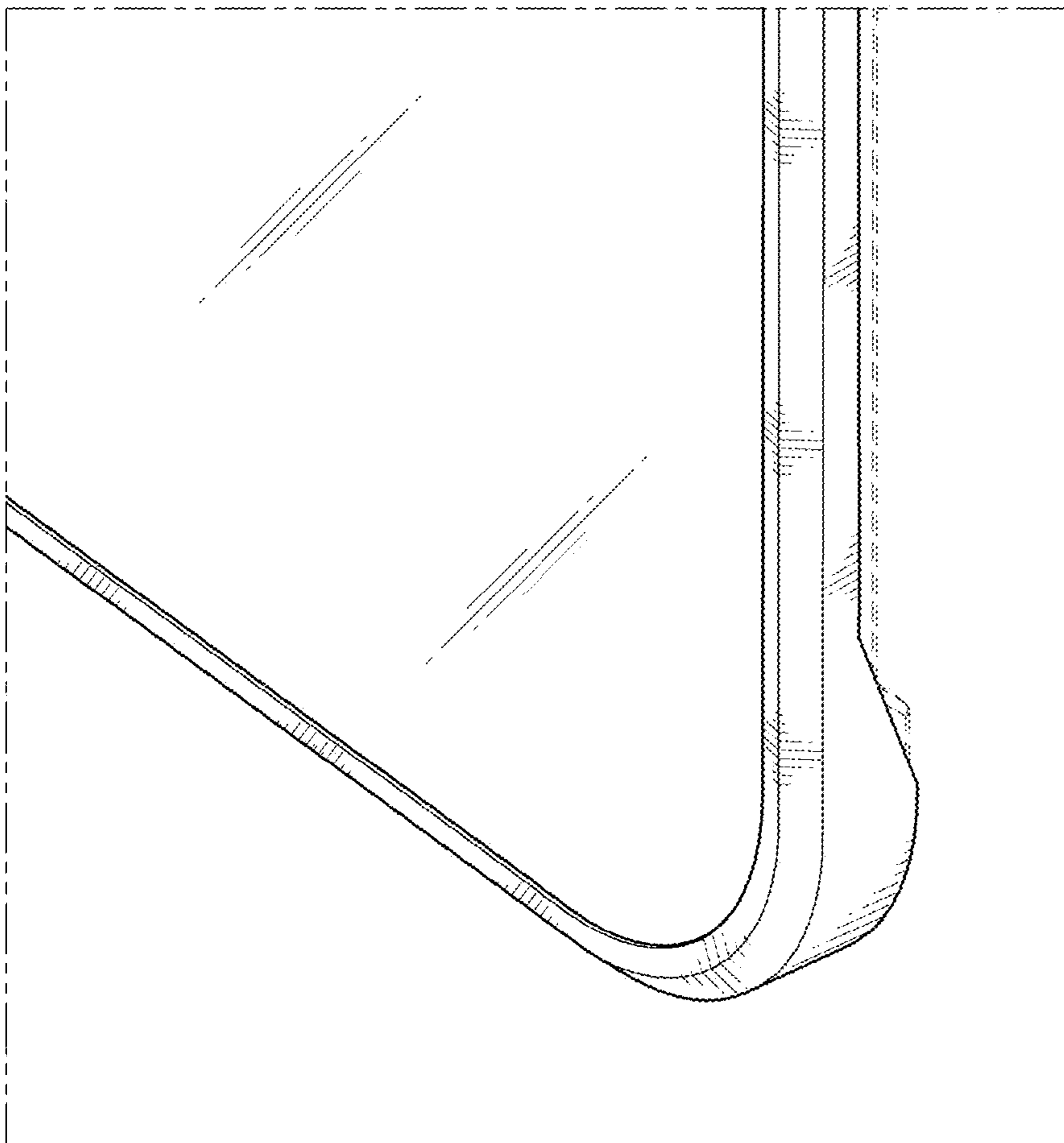




FIG. 34

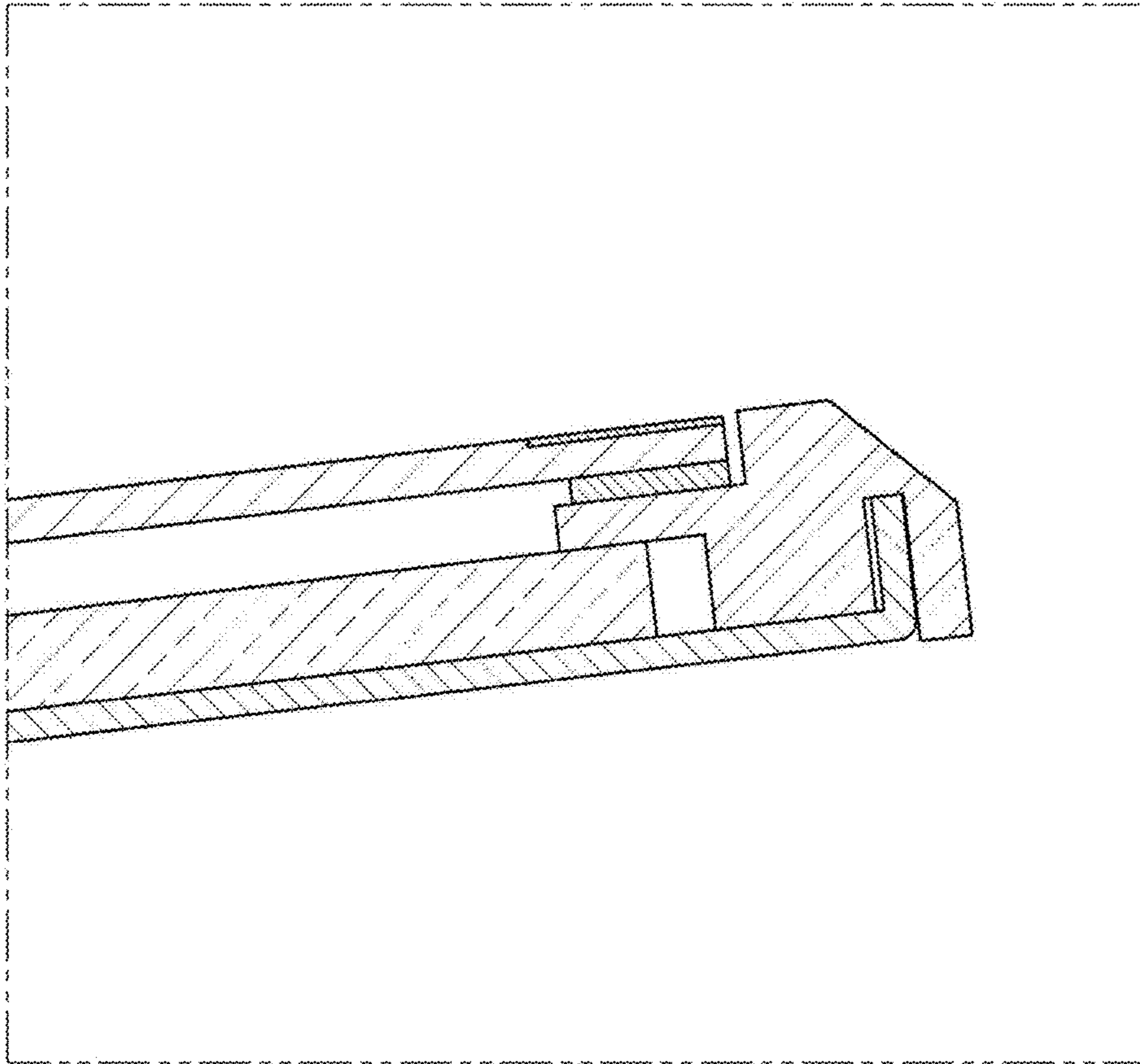


FIG. 35

