



US00D822656S

(12) **United States Design Patent**  
**Ritchie et al.**

(10) **Patent No.:** **US D822,656 S**  
(45) **Date of Patent:** **\*\* Jul. 10, 2018**

(54) **WEARABLE ELECTRONIC DEVICE**  
(71) Applicant: **Caterpillar Inc.**, Peoria, IL (US)  
(72) Inventors: **Christian D. Ritchie**, Morton, IL (US);  
**Cody P. Renshaw**, Washington, IL (US)  
(73) Assignee: **Caterpillar Inc.**, Deerfield, IL (US)  
(\*\*) Term: **15 Years**

D598,551 S \* 8/2009 Miwa ..... D24/186  
D607,569 S \* 1/2010 Yukikado ..... D10/81  
D626,550 S \* 11/2010 Julien ..... D14/341  
D657,702 S \* 4/2012 Au Yeung ..... D10/70  
D666,108 S \* 8/2012 Chiang ..... D10/38  
D719,955 S \* 12/2014 Hsu ..... D14/428  
D725,068 S \* 3/2015 Cho ..... D14/138 R  
D725,072 S \* 3/2015 Kim ..... D10/38  
D727,187 S \* 4/2015 Sullivan ..... D10/70  
D731,067 S \* 6/2015 Huang ..... D24/169  
D758,901 S \* 6/2016 Benoit ..... D10/70  
D773,052 S \* 11/2016 Wimmer, IV ..... D10/103  
D795,250 S \* 8/2017 Han ..... D14/344

(21) Appl. No.: **29/596,133**  
(22) Filed: **Mar. 6, 2017**  
(51) **LOC (11) Cl.** ..... **14-02**  
(52) **U.S. Cl.**  
USPC ..... **D14/344**  
(58) **Field of Classification Search**  
USPC ..... D14/344, 138 R, 144, 341, 358;  
D10/30-39, 70, 98; D11/3, 93-94;  
D24/167, 169, 186-187; 361/679.03;  
379/433.1  
CPC .. A41D 1/002; G06F 1/04; G06F 1/08; G06F  
1/10; G06F 1/14; G06F 1/1626; G06F  
1/1628; G06F 1/163; G06F 1/1635; G06F  
1/3203; G06Q 20/10; G06Q 20/12; G06Q  
20/108; G06Q 20/145; H04B 1/3833;  
H04B 1/385; H04B 1/3888; H04M 1/02;  
H04M 1/03; H04M 1/04; H04M 1/05;  
H04M 1/667; H04M 1/6058; Y02B  
60/1217  
See application file for complete search history.

**OTHER PUBLICATIONS**

Sega Game Gear, posted Jan. 31, 2017, [retrieved Mar. 2, 2018].  
Retrieved from Internet, <URL: <https://segadoes.com/2017/01/31/sega-game-gear/>>.\*

(Continued)

*Primary Examiner* — Barbara Fox  
*Assistant Examiner* — Kristen E Reed

(57) **CLAIM**

The ornamental design for a wearable electronic device, as shown and described.

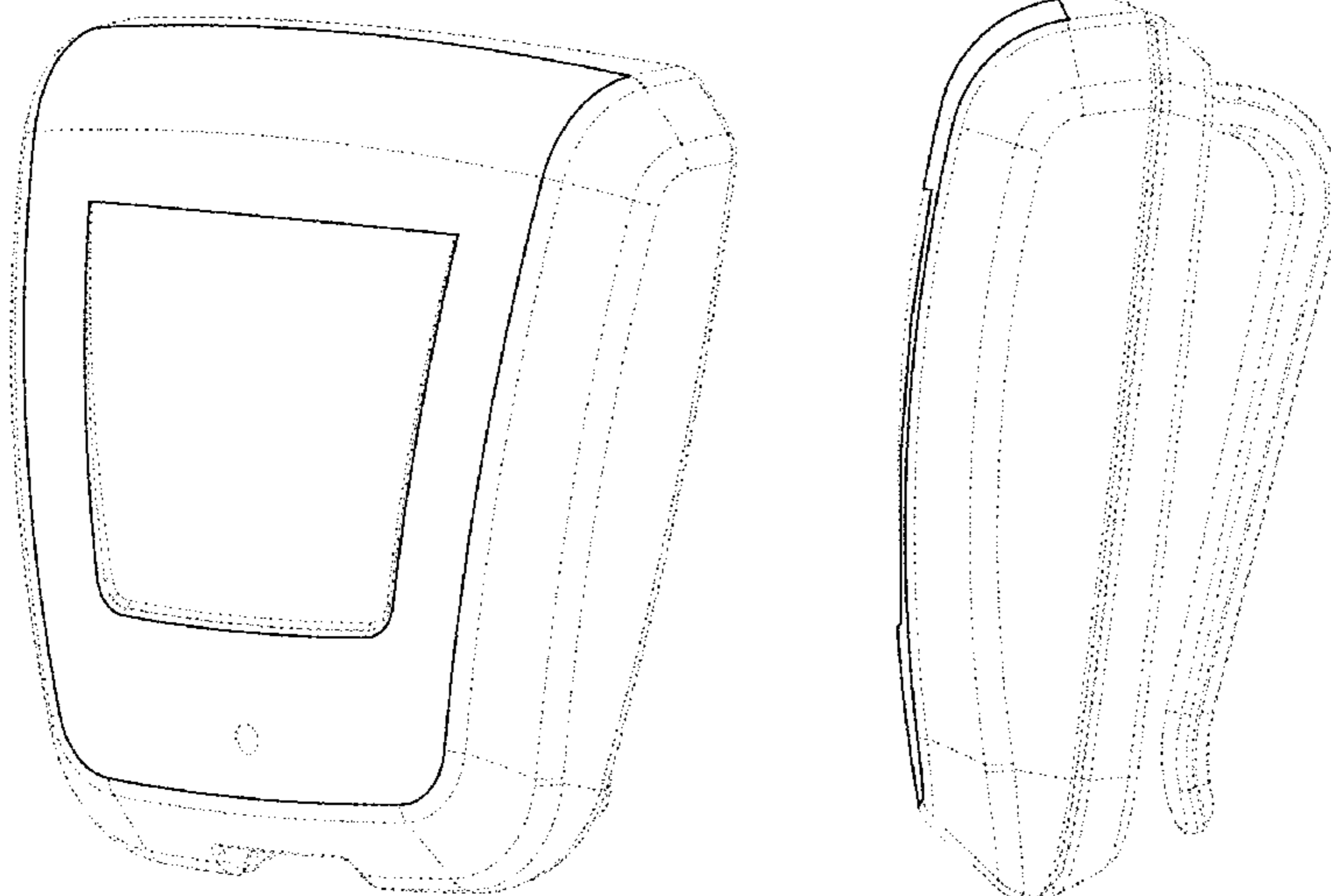
**DESCRIPTION**

FIG. 1 is a front perspective view of a wearable electronic device showing our new design;  
FIG. 2 is a front view thereof;  
FIG. 3 is a top view thereof;  
FIG. 4 is a bottom view thereof;  
FIG. 5 is a rear view thereof;  
FIG. 6 is a left side view thereof; and,  
FIG. 7 is a right side view thereof.  
The dashed broken lines shown in the drawings depict portions of the wearable electronic device that form no part of the claimed design.

(56) **References Cited**  
U.S. PATENT DOCUMENTS

D112,797 S \* 1/1939 Stegeman, Jr. .... D10/38  
D486,410 S \* 2/2004 Ueda ..... D10/98  
D536,267 S \* 2/2007 Vigil ..... D10/38  
D578,527 S \* 10/2008 Mincoelli ..... D14/341  
D586,801 S \* 2/2009 Mincoelli ..... D14/341

**1 Claim, 6 Drawing Sheets**



(56)

**References Cited**

OTHER PUBLICATIONS

Lightweight handheld for retail applications Casio Europe, posted Aug. 31, 2015, [retrieved Mar. 2, 2018]. Retrieved from Internet, <URL : [https://www.casio-europe.com/euro/news/2015/2052\\_lightweight-handheld-for-retail-applications/](https://www.casio-europe.com/euro/news/2015/2052_lightweight-handheld-for-retail-applications/) >.\*

TomTom VIA 1415M 4-Inch GPS with Lifetime Map Updates, posted Apr. 2, 2015, [retrieved Mar. 2, 2018]. Retrieved from Internet, <URL: <https://www.amazon.com/TomTom-1415M-4-Inch-Lifetime-Updates/dp/B00UNDFPMW> >.\*

Fluke 123B/124B/125B User's Manual, posted 2016, [retrieved Mar. 2, 2018]. Retrieved from Internet, <URL: [http:// www.testequipmentdepot.com/fluke/pdf/123b-124b-125b\\_manual.pdf](http://www.testequipmentdepot.com/fluke/pdf/123b-124b-125b_manual.pdf) >.\*

\* cited by examiner

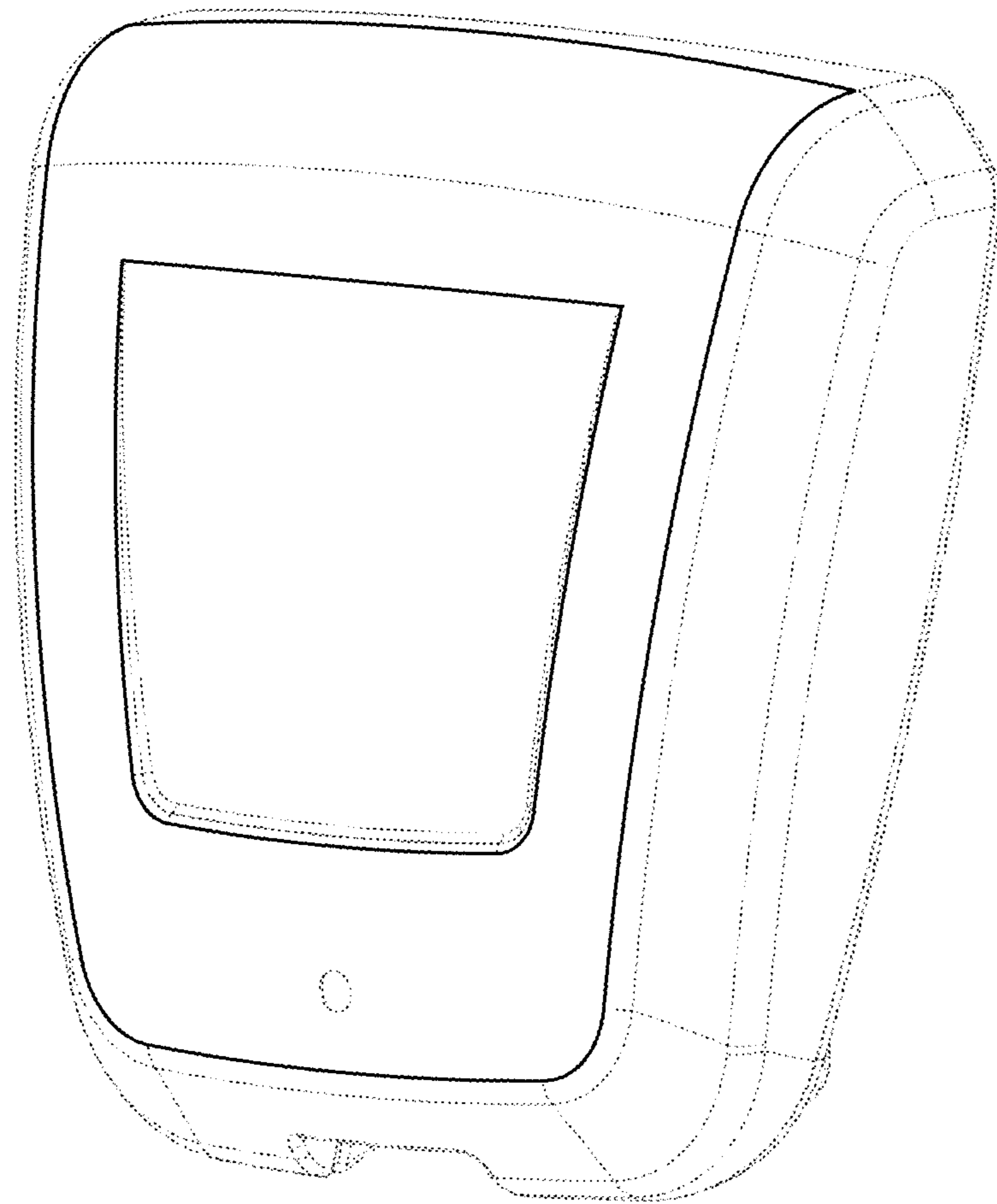


FIG. 1

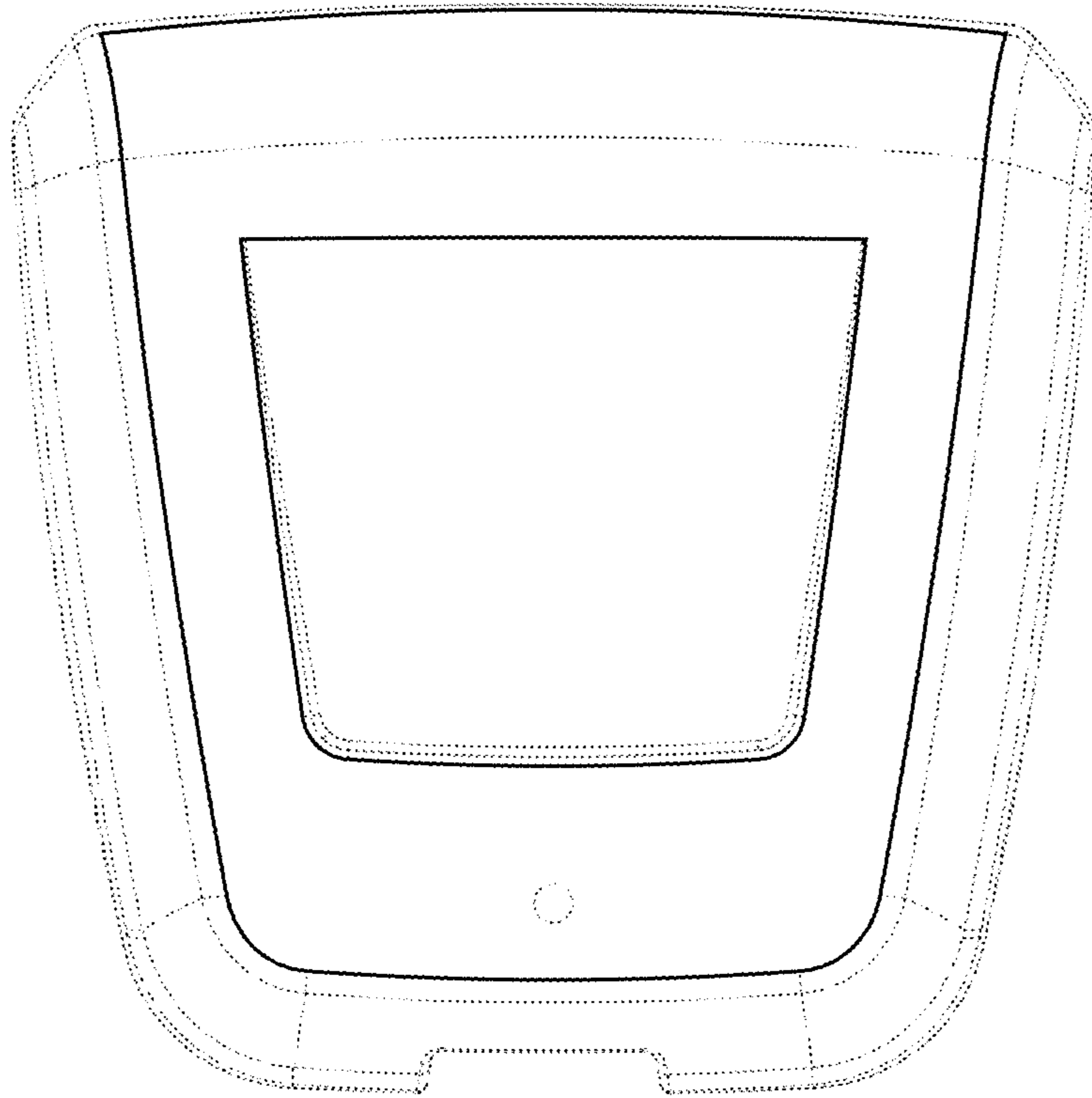


FIG. 2

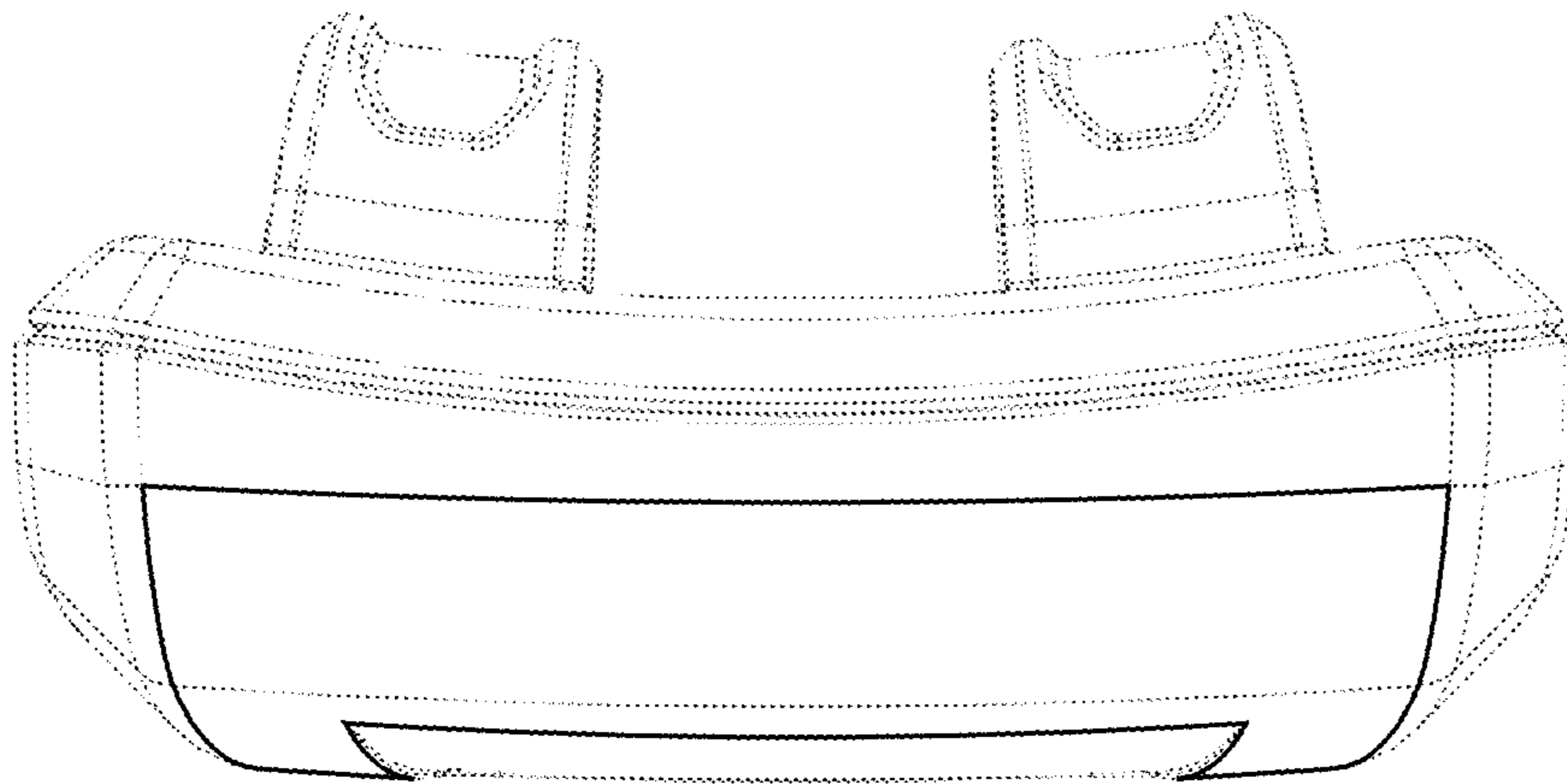


FIG. 3

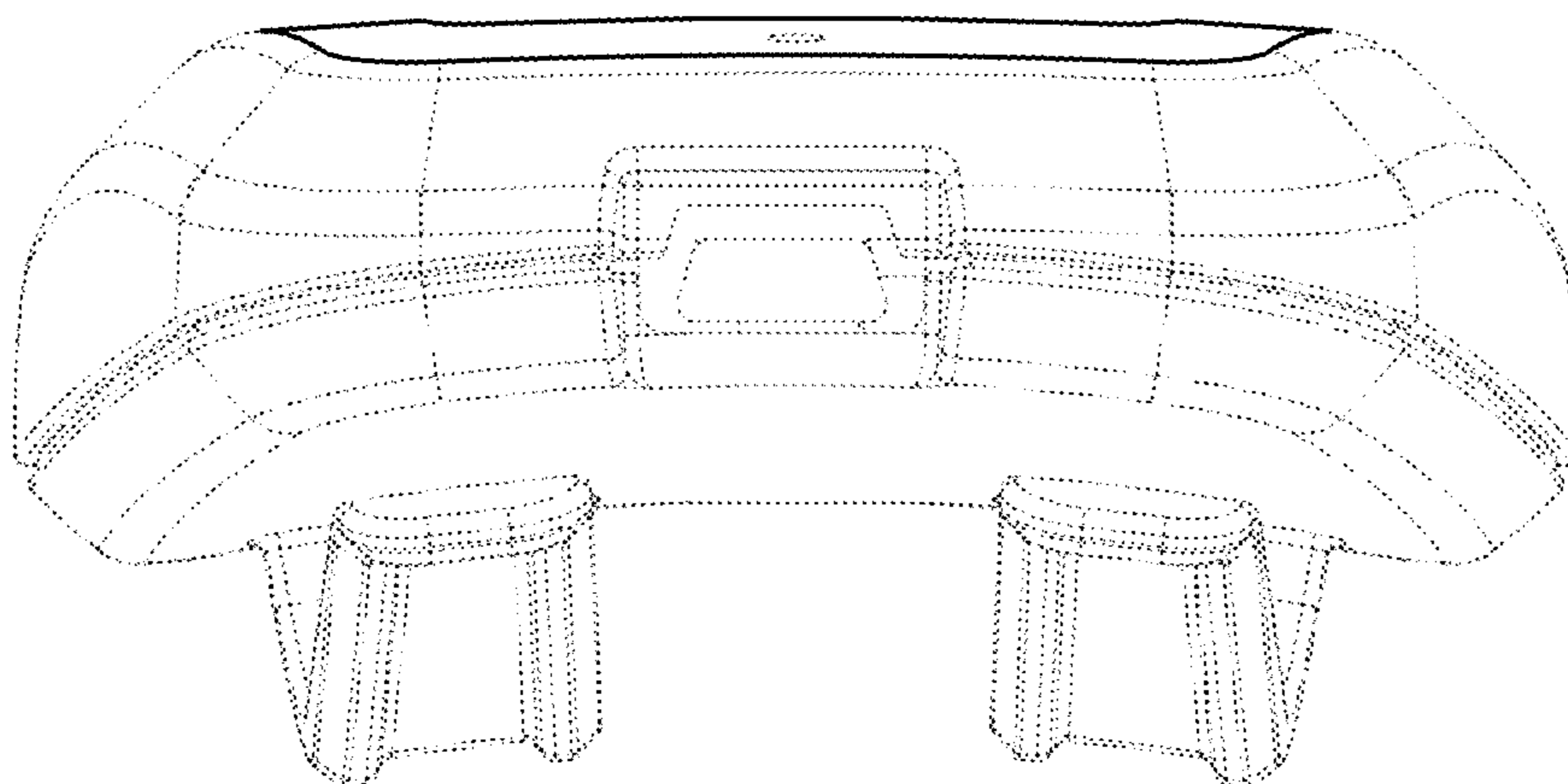


FIG. 4

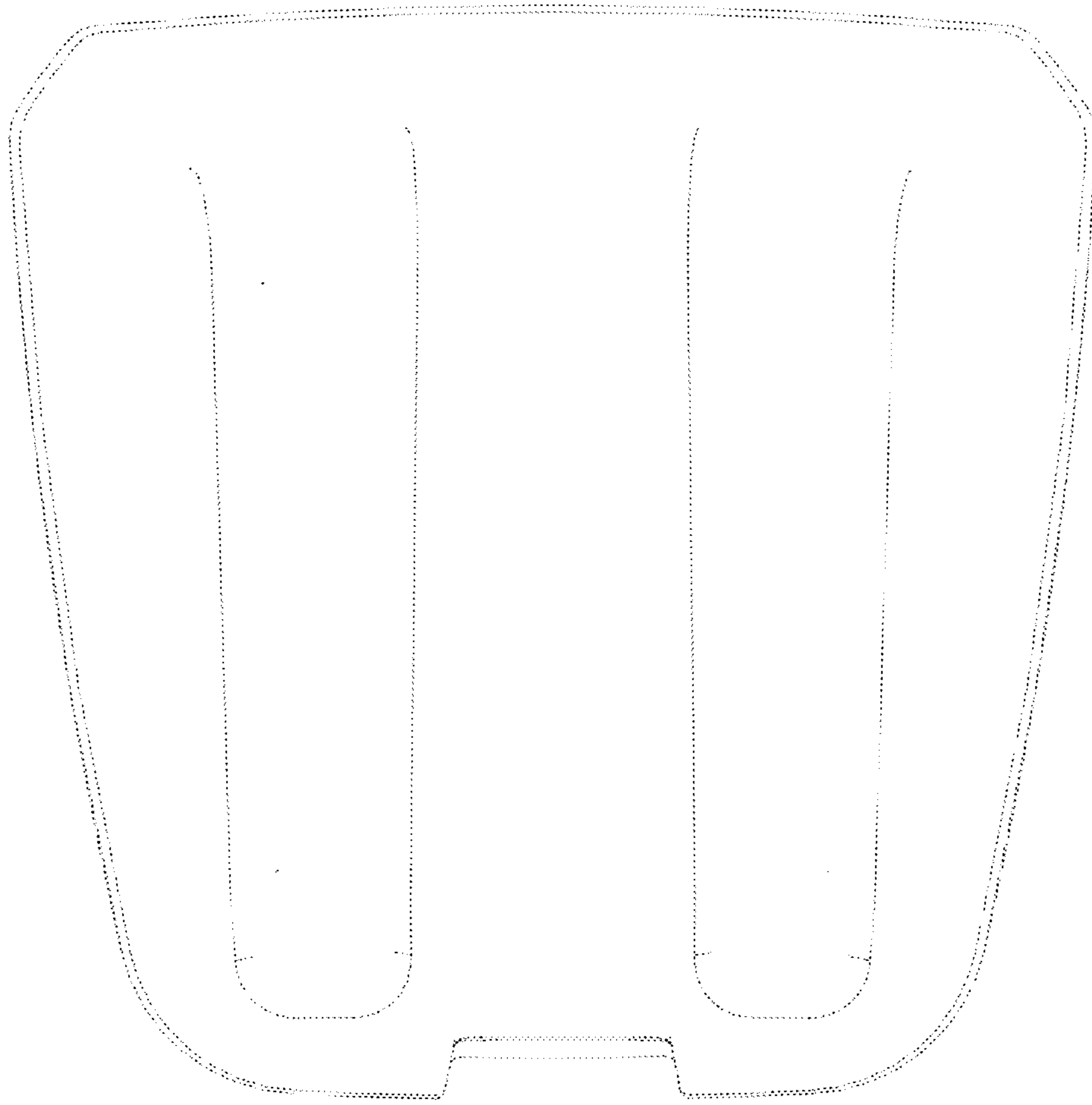


FIG. 5



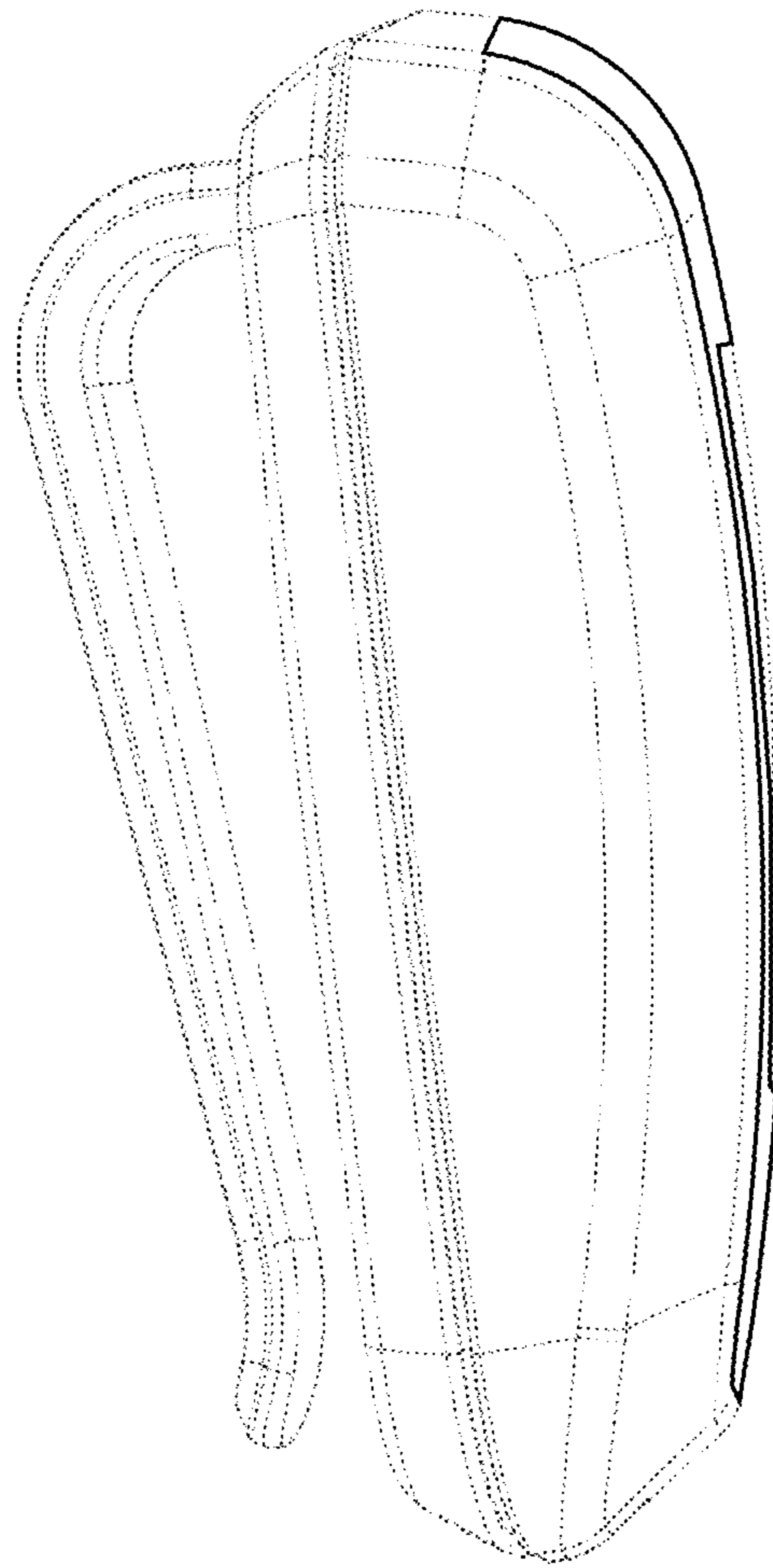


FIG. 6

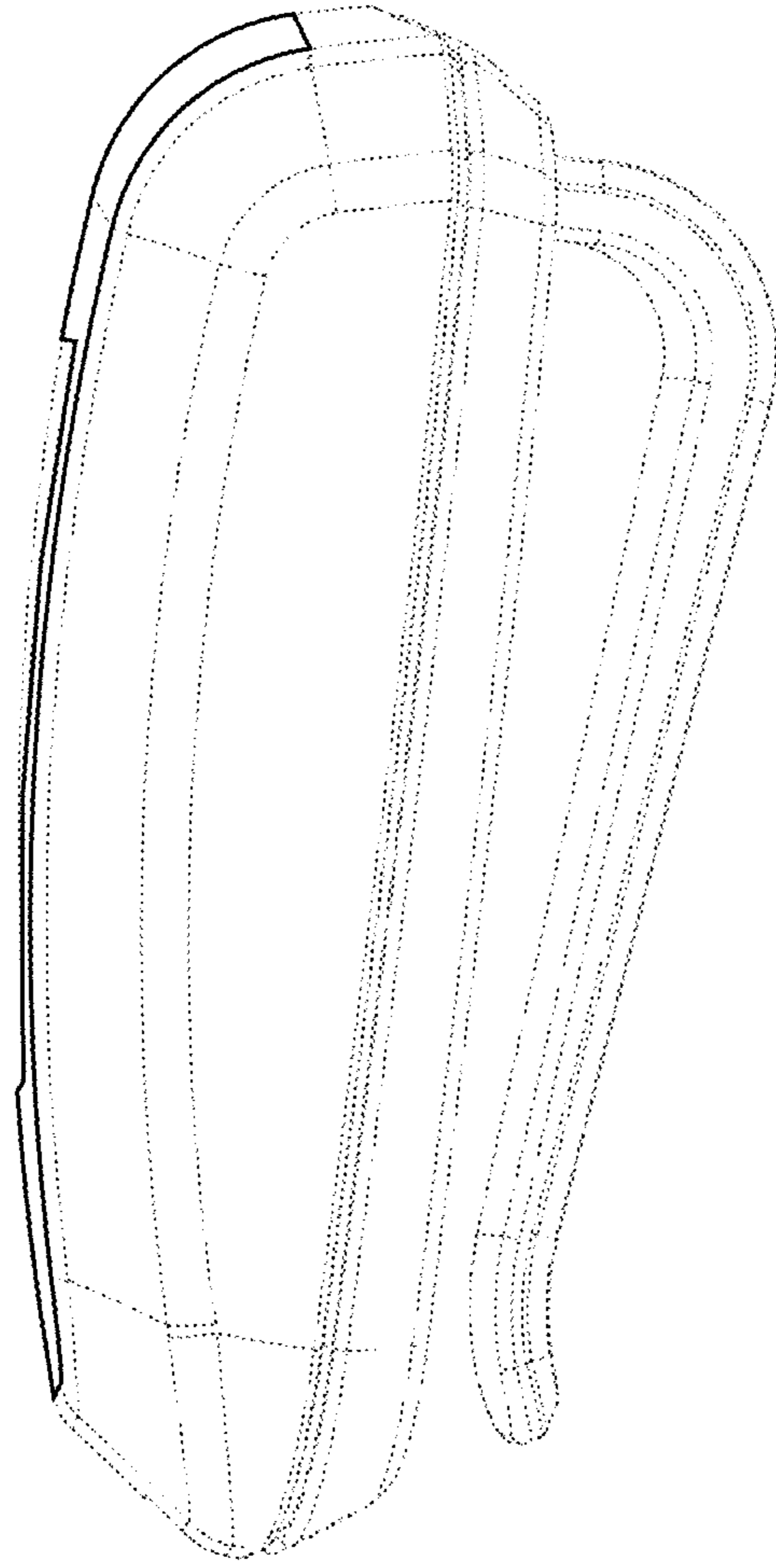


FIG. 7