

US00D822655S

(12) **United States Design Patent** (10) **Patent No.:** **US D822,655 S**
Akana et al. (45) **Date of Patent:** **** Jul. 10, 2018**

(54) **ELECTRONIC DEVICE**

(71) Applicant: **Apple Inc.**, Cupertino, CA (US)

(72) Inventors: **Jody Akana**, San Francisco, CA (US); **Bartley K. Andre**, Palo Alto, CA (US); **Jeremy Bataillou**, San Francisco, CA (US); **Daniel J. Coster**, San Francisco, CA (US); **Daniele De Iuliis**, San Francisco, CA (US); **M. Evans Hankey**, San Francisco, CA (US); **Julian Hoenig**, San Francisco, CA (US); **Richard P. Howarth**, San Francisco, CA (US); **Jonathan P. Ive**, San Francisco, CA (US); **Duncan Robert Kerr**, San Francisco, CA (US); **Shin Nishibori**, Kailua, HI (US); **Matthew Dean Rohrbach**, San Francisco, CA (US); **Peter Russell-Clarke**, San Francisco, CA (US); **Mikael Silvanto**, San Francisco, CA (US); **Christopher J. Stringer**, Woodside, CA (US); **Eugene Antony Whang**, San Francisco, CA (US); **Rico Zörkendörfer**, San Francisco, CA (US)

(73) Assignee: **Apple Inc.**, Cupertino, CA (US)

(**) Term: **15 Years**

(21) Appl. No.: **29/556,231**

(22) Filed: **Feb. 29, 2016**

Related U.S. Application Data

(63) Continuation of application No. 29/453,555, filed on Apr. 30, 2013, which is a continuation of application (Continued)

(51) **LOC (11) Cl.** **14-02**

(52) **U.S. Cl.**
USPC **D14/341; D14/203.3**

(58) **Field of Classification Search**

USPC D14/315–318, 341–347, 420, 426, 129, D14/130, 496, 137, 138 R, 138 AA, (Continued)

(56) **References Cited**

U.S. PATENT DOCUMENTS

4,165,554 A 8/1979 Faget
D270,062 S 8/1983 Ackeret
(Continued)

FOREIGN PATENT DOCUMENTS

CN 3513646D 3/2006
CN 3543434D 7/2006
(Continued)

OTHER PUBLICATIONS

Saytes, "Saytes: Tecnologia submergible." Saytes.es, accessed at http://www.saytes.es/product_info.php?products_id-494, retrieved Feb. 18, 2009, 1 page.

(Continued)

Primary Examiner — Barbara Fox

Assistant Examiner — Dana K Weiland

(74) *Attorney, Agent, or Firm* — Sterne, Kessler, Goldstein & Fox P.L.L.C.

(57) **CLAIM**

The ornamental design for an electronic device, as shown and described.

DESCRIPTION

FIG. 1 is a bottom front perspective view of an electronic device showing the claimed design;
FIG. 2 is a bottom rear perspective view thereof;
FIG. 3 is a top front perspective view thereof;
FIG. 4 is a top rear view thereof;
FIG. 5 is a front view thereof;
FIG. 6 is a rear view thereof;
FIG. 7 is a top view thereof;

(Continued)

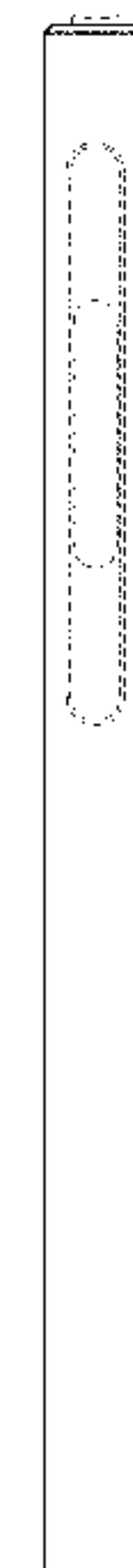
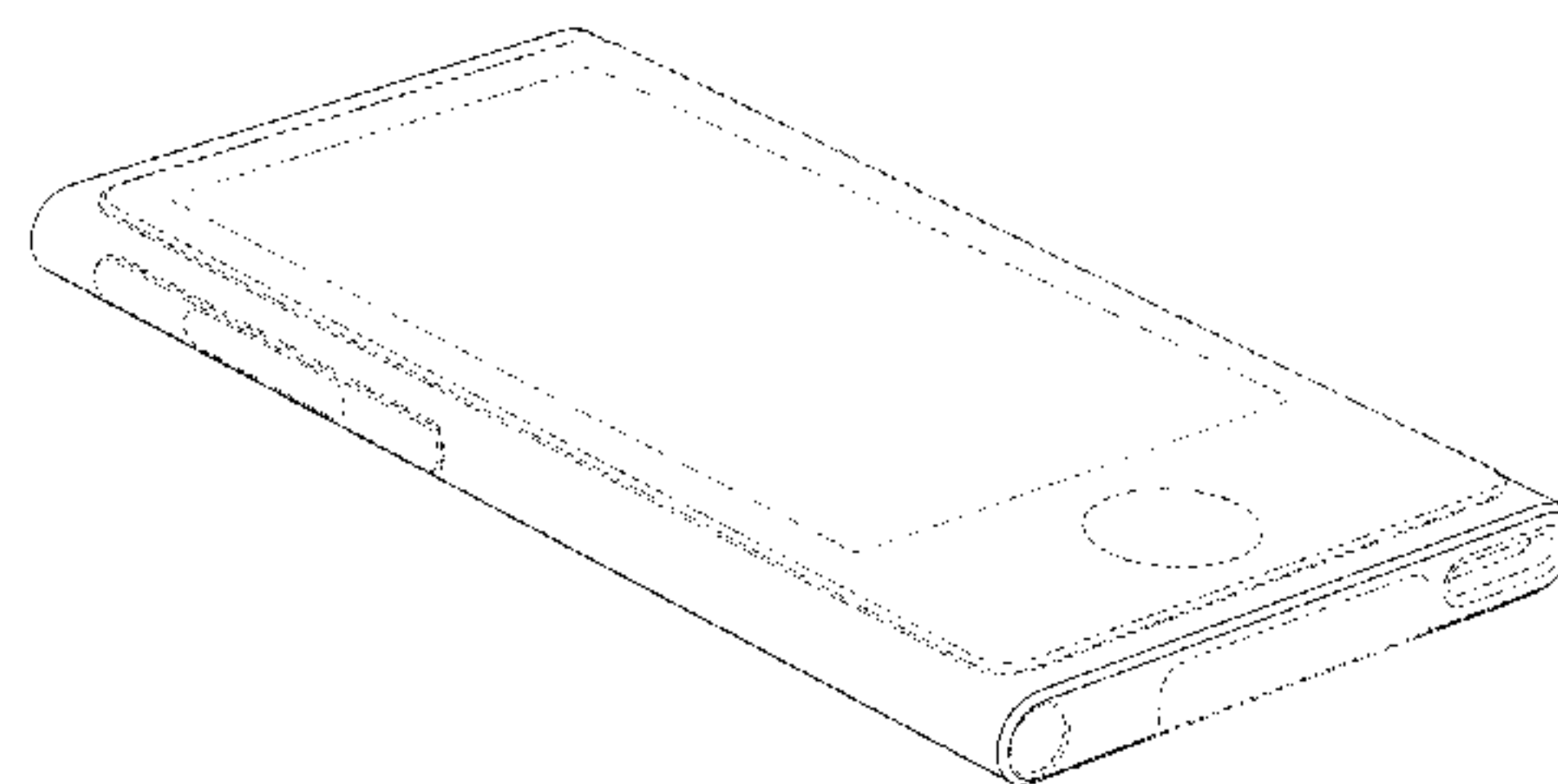


FIG. 8 is a bottom view thereof;
 FIG. 9 is a left side view thereof; and,
 FIG. 10 is a right side view thereof.
 The broken lines in the figures show portions of the electronic device that form no part of the claimed design.

1 Claim, 6 Drawing Sheets

Related U.S. Application Data

No. 29/431,569, filed on Sep. 9, 2012, now Pat. No. Des. 681,056.

(58) **Field of Classification Search**

USPC D14/138 C, 138 G, 147, 203.1, 203.3, D14/204.4, 203.7, 218, 248, 388, 389; D10/50, 65, 104.1; D21/329, 330; D6/308, 310
 CPC G06F 3/0485; G06F 3/0488; G06F 1/1613; G06F 1/1624; G06F 1/1626; G06F 1/165; H04M 1/0202; H04M 1/0264; H04M 1/0214; H04M 1/0279; H04M 1/0281; H04M 1/0283; H04M 1/72544
 See application file for complete search history.

(56) **References Cited**

U.S. PATENT DOCUMENTS

6,122,526 A	9/2000	Parlitski et al.	
D441,735 S	5/2001	Katayama	
D503,409 S	3/2005	Wong et al.	
6,891,721 B2 *	5/2005	Huang	G11B 25/043 361/679.33
D513,611 S	1/2006	Hibi	
D516,579 S	3/2006	Nakamura	
D539,814 S	4/2007	Andre et al.	
7,230,822 B2 *	6/2007	Langberg	G11B 33/122 248/917
D557,243 S	12/2007	Kim et al.	
D562,285 S	2/2008	Lim	
D562,794 S	2/2008	Kim et al.	
D565,596 S	4/2008	Kim	
D567,819 S	4/2008	Devericks et al.	
D568,338 S	5/2008	Andre et al.	
D570,320 S	6/2008	Lee et al.	
D570,876 S	6/2008	Lee	
D575,304 S	8/2008	Andre et al.	
D576,100 S *	9/2008	Wang	D13/110
D588,610 S	3/2009	Andre et al.	
D589,510 S	3/2009	Wada	
D593,132 S	5/2009	Kim	
D595,339 S	6/2009	Oas	
D597,558 S	8/2009	Andre et al.	
D598,426 S	8/2009	Kim et al.	
D604,713 S	11/2009	Andre et al.	
D605,157 S	12/2009	Kim et al.	
D611,470 S	3/2010	Andre et al.	
D622,696 S	8/2010	Akana et al.	
D631,032 S	1/2011	Lee	
D631,458 S	1/2011	Liao et al.	
D634,317 S	3/2011	Buckle et al.	
D636,752 S	4/2011	Liao et al.	
D638,030 S	5/2011	Akana et al.	
D650,738 S *	12/2011	Leung	D13/107
D652,403 S	1/2012	Fahlgren et al.	
D654,506 S	2/2012	Akana et al.	
D656,123 S	3/2012	Andre et al.	
D656,496 S	3/2012	Andre et al.	
D656,955 S	4/2012	Akana et al.	

D658,621 S	5/2012	Lylyk	
D667,387 S	9/2012	Andre et al.	
D672,329 S	12/2012	Fahlgren et al.	
D672,336 S	12/2012	Lister et al.	
D672,741 S	12/2012	Lylyk	
D673,926 S	1/2013	Fahlgren et al.	
D675,176 S	1/2013	Aarras	
D681,056 S	4/2013	Akana et al.	
8,446,711 B2 *	5/2013	Liao	H04M 1/0283 361/679.01
D689,035 S	9/2013	Ryu	
D690,739 S	10/2013	Akana et al.	
D695,316 S	12/2013	Akana et al.	
D697,507 S	1/2014	Yu et al.	
D701,850 S	4/2014	Kim et al.	
D701,851 S	4/2014	Bae et al.	
D702,206 S	4/2014	Kim et al.	
D711,924 S	8/2014	Akana et al.	
D714,287 S	9/2014	Takahashi et al.	
D715,760 S *	10/2014	Kim	D14/188
D716,304 S	10/2014	Orthey	
D716,747 S	11/2014	Kleiner et al.	
D717,285 S	11/2014	Fahlgren	
D724,577 S	3/2015	Yamazaki et al.	
D724,597 S	3/2015	Akana et al.	
D734,362 S	7/2015	Akana et al.	
D736,766 S	8/2015	Paschke et al.	
D737,238 S	8/2015	Lee et al.	
D738,367 S	9/2015	Yamazaki et al.	
D756,996 S *	5/2016	Akana	D14/341
D757,714 S *	5/2016	Akana	D14/341
D758,334 S *	6/2016	Du	D14/138 G
D763,188 S *	8/2016	Park	D13/108
D768,594 S *	10/2016	Szeto	D14/138 G
D782,438 S *	3/2017	Choo	D14/138 AA
D782,439 S *	3/2017	Choo	D14/138 AA
D788,729 S *	6/2017	Park	D14/138 AA
D789,922 S *	6/2017	Yamazaki	D14/341
D790,497 S *	6/2017	Kim	D14/138 AA
D792,409 S *	7/2017	Shim	D14/435
2005/0227737 A1	10/2005	Moon et al.	
2013/0033434 A1	2/2013	Richardson et al.	
2013/0222293 A1 *	8/2013	Chung	G06F 3/041 345/173
2013/0300697 A1	11/2013	Kim et al.	

FOREIGN PATENT DOCUMENTS

CN	300738882	1/2008
CN	3562517D	9/2009
JP	D1438567	4/2012
TW	D121877	11/2008
TW	D126454	12/2008
TW	D136764	9/2010
TW	D140385	5/2011
TW	D145515	2/2012

OTHER PUBLICATIONS

Slivka, E., "Apple Planning 'All-New' iPod Touch and iPod Nano for September Launch?", MacRumors, accessed at <<http://www.macrumors.com/2012/07/23/apple-planning-all-new-ipod-touch-and-ipod-nano-for-september-launch/>>, Jul. 23, 2012, 3 pages.
 Apple reportedly planning 1 all-new1 iPod touch and iPod nano models, announced Jul. 24, 2012 [online], [site visited Sep. 11, 2015]. Available from Internet, URL: <http://www.theverge.com/2012/7/24/3180866/apple-new-ipod-touch-ipod-nano-rumor>.
 Apple's new iPods:, announced Sep. 7, 2012 [online], [site visited Sep. 11, 2015]. Available from Internet, URL: <<http://9to5mac.com/2012/09/07/apples-new-ipods-various-new-ipod-touches-new-ipod-nano-tweaked-ipod-shuffle/>>.

* cited by examiner

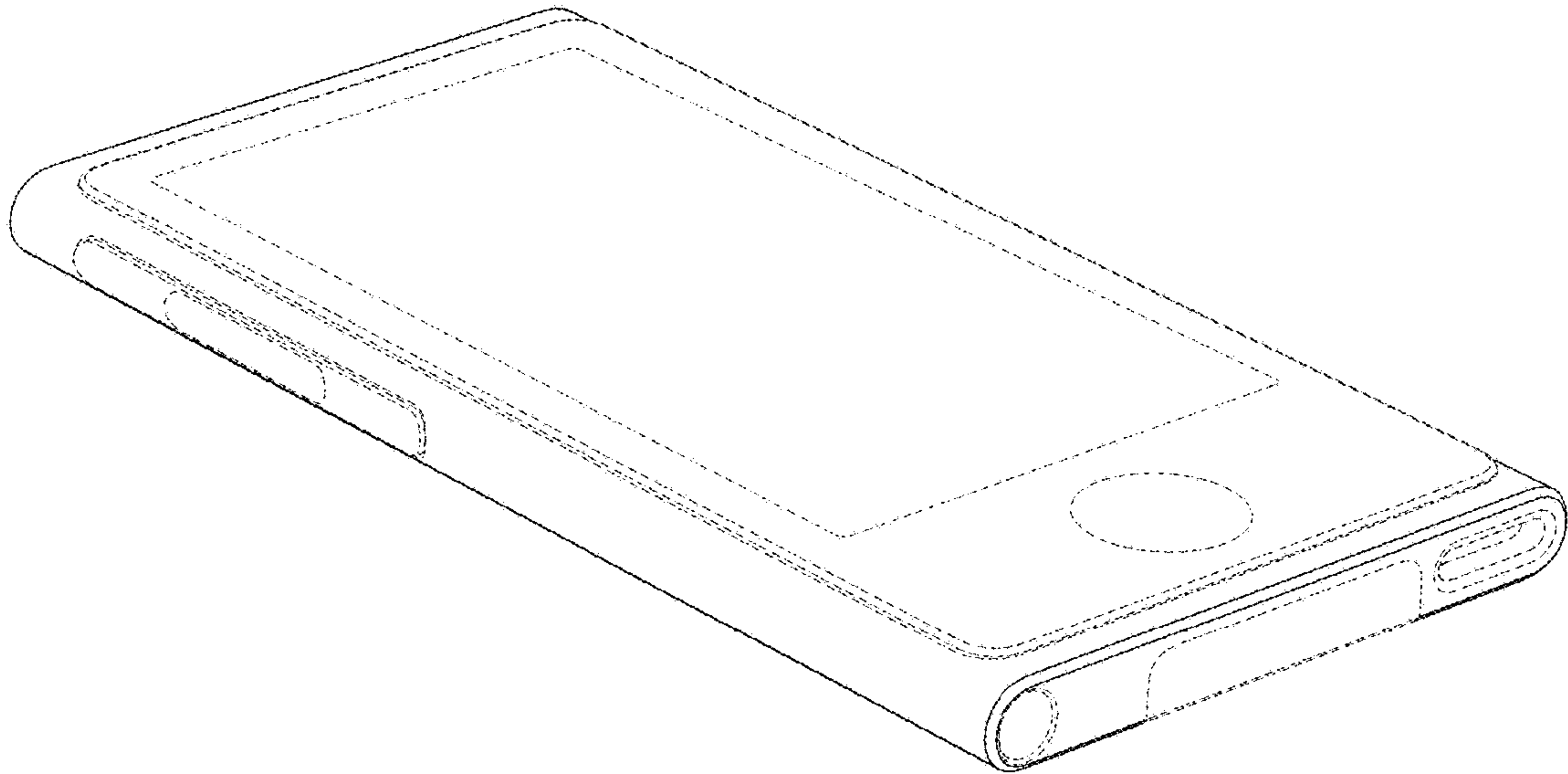


FIG. 1

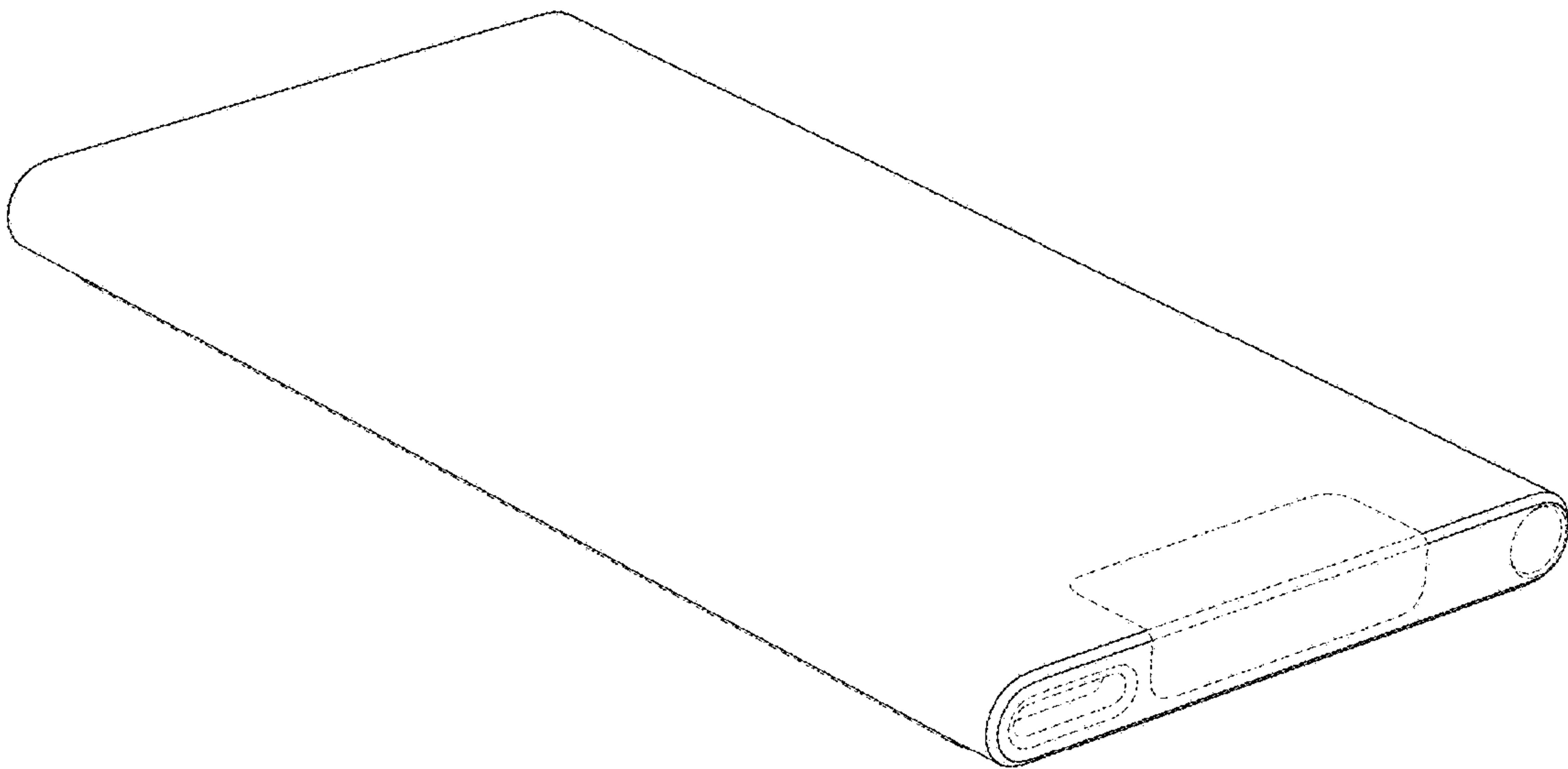


FIG. 2

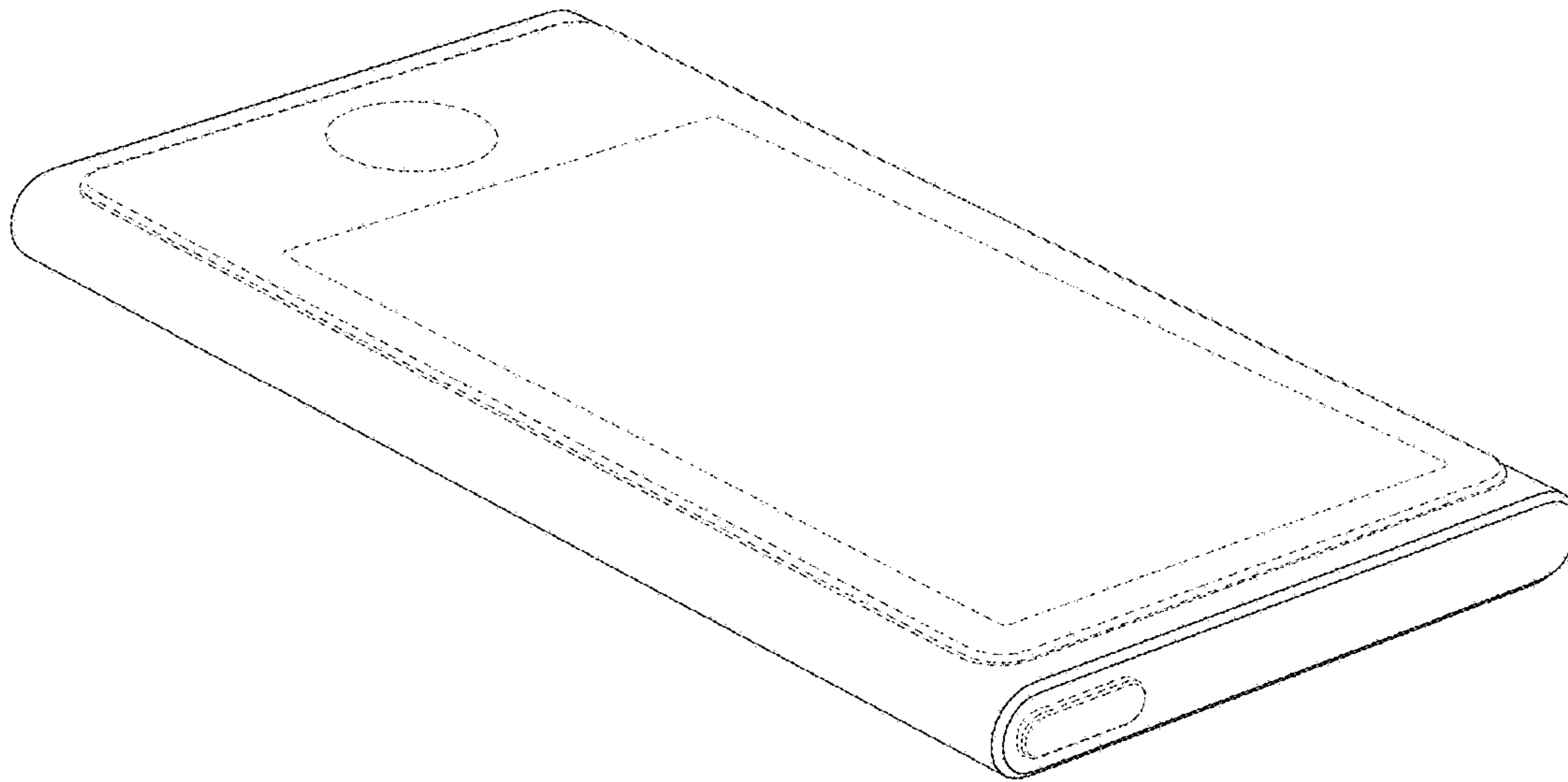


FIG. 3

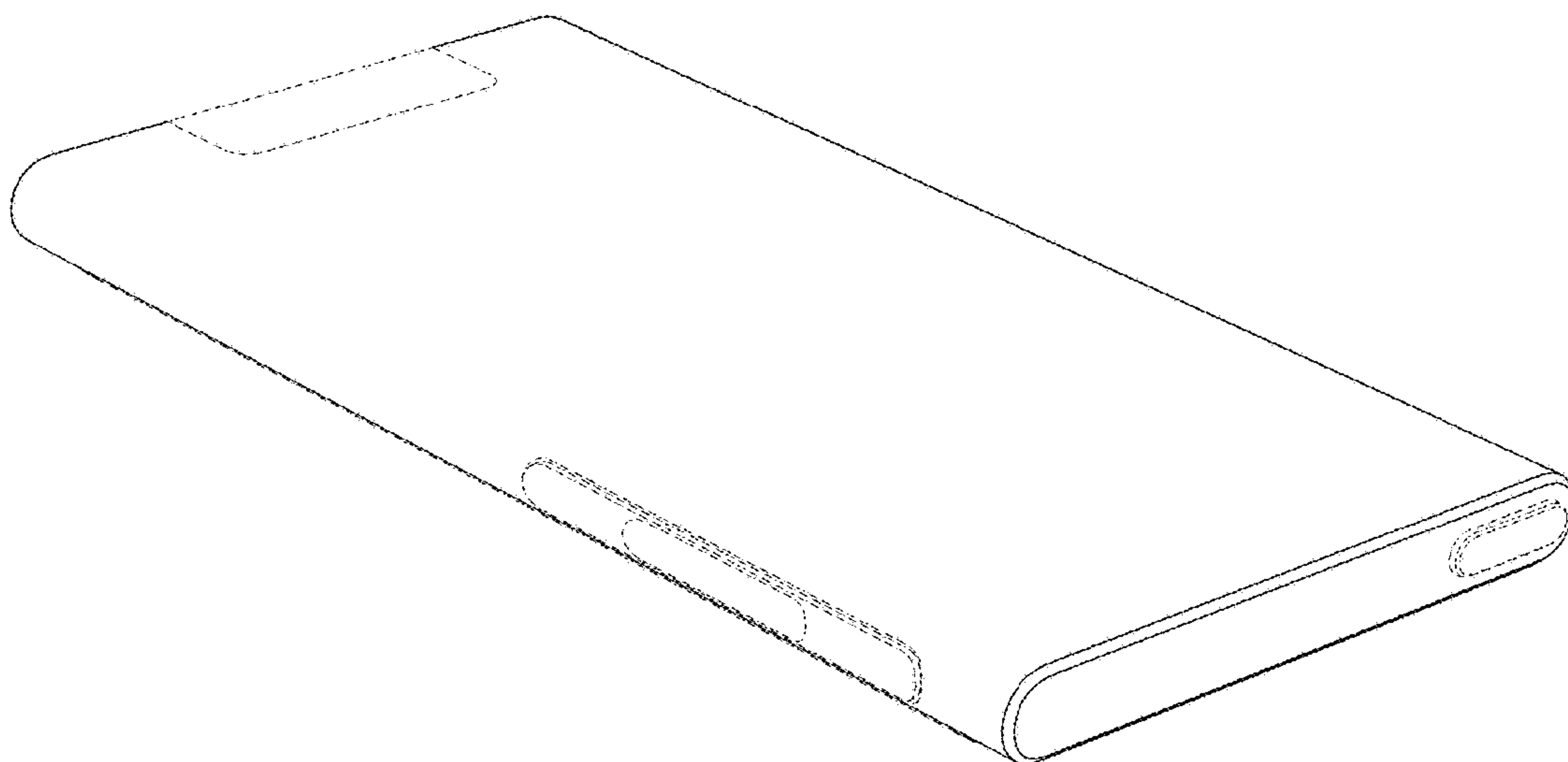


FIG. 4

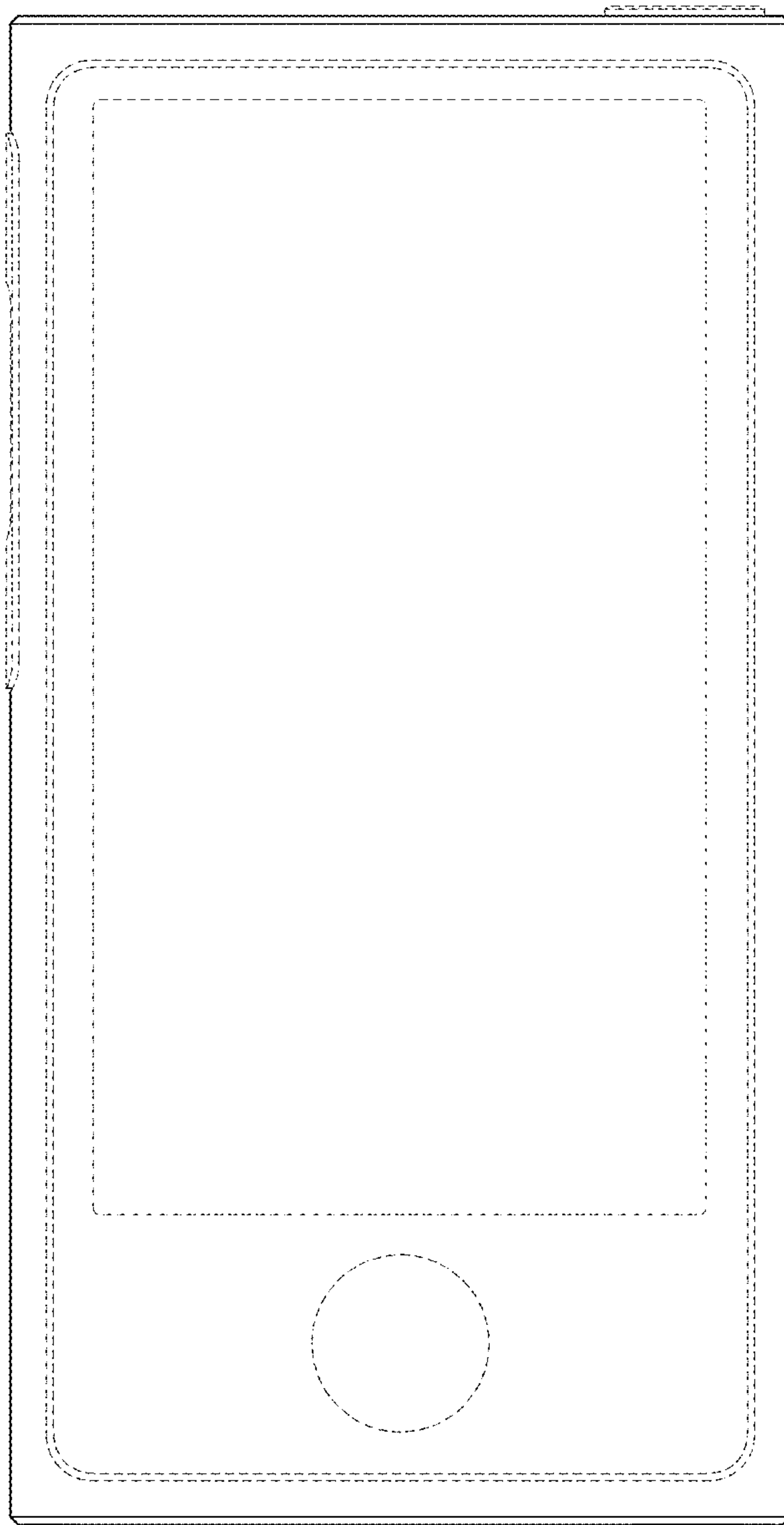


FIG. 5

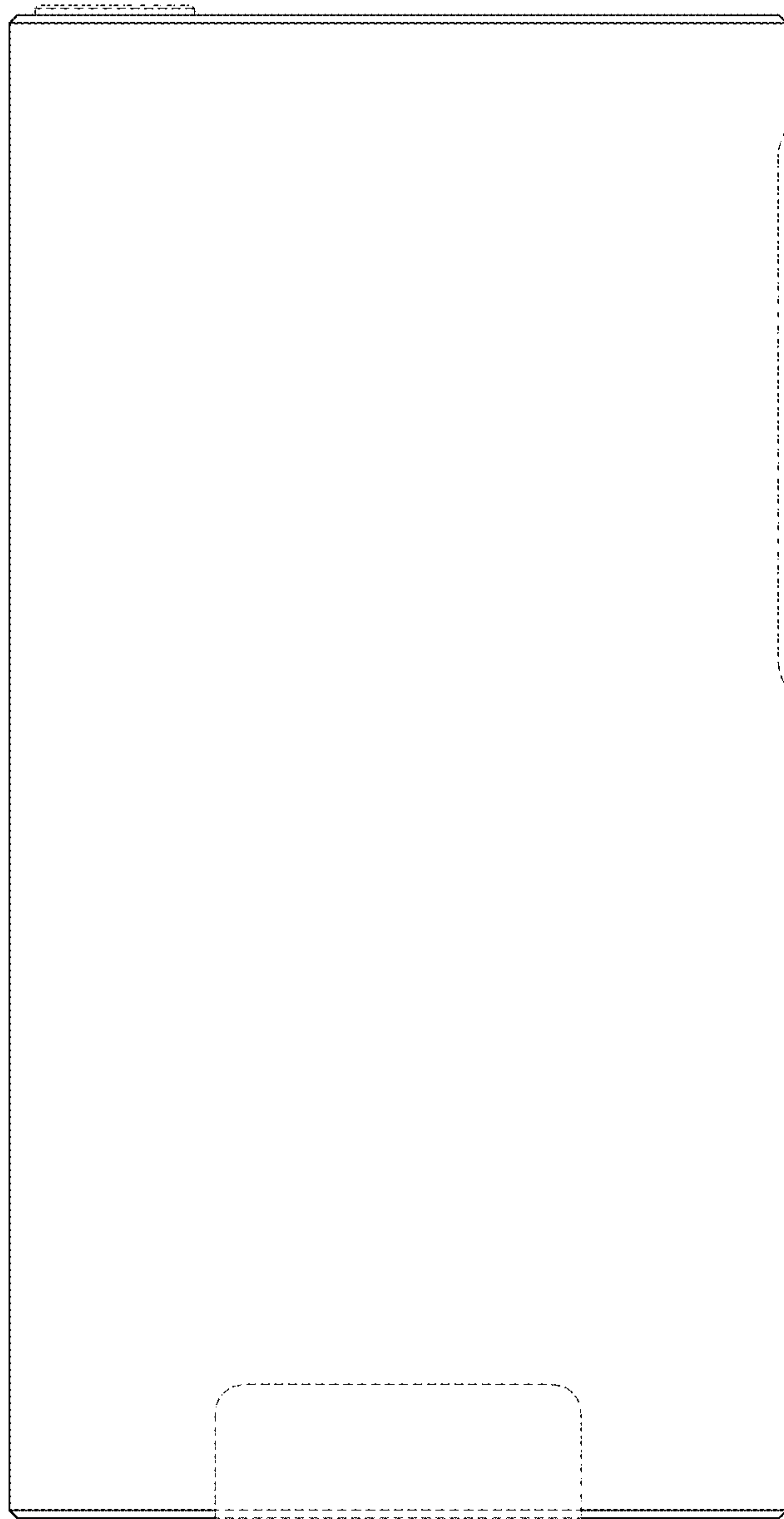


FIG. 6

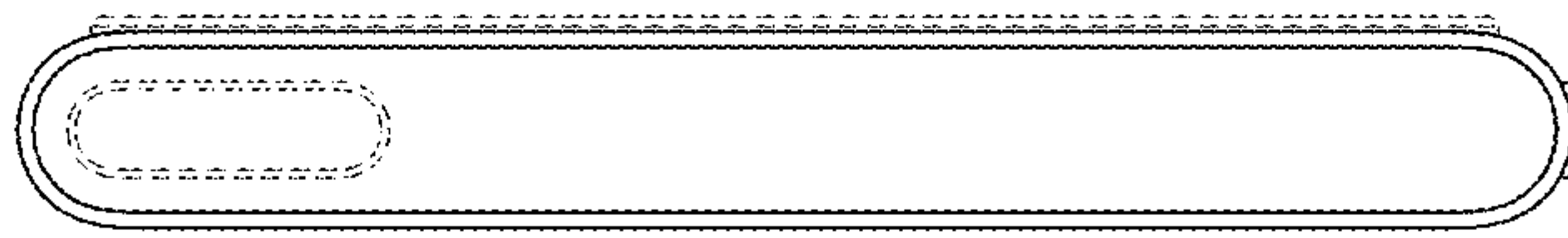


FIG. 7

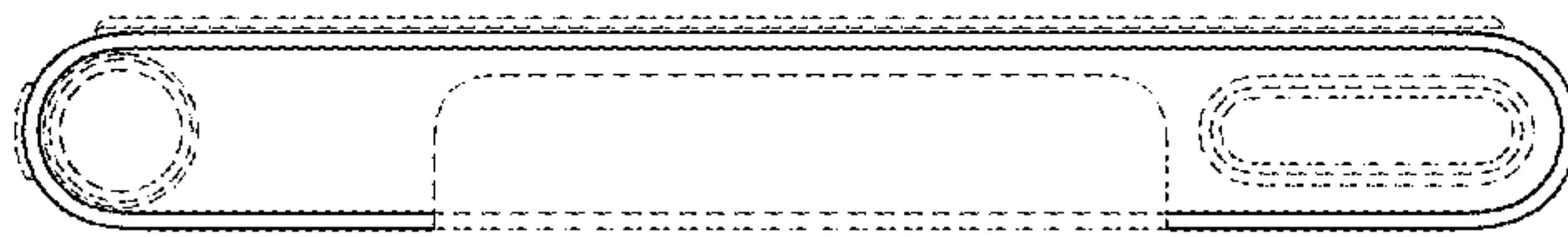


FIG. 8



FIG. 9



FIG. 10