



US00D822654S

(12) **United States Design Patent**  
**Nuk et al.**

(10) **Patent No.:** **US D822,654 S**  
(45) **Date of Patent:** **\*\* Jul. 10, 2018**

(54) **ELECTRONIC DEVICE**

(71) Applicant: **Samsung Electronics Co., Ltd.**,  
Suwon-si (KR)

(72) Inventors: **Howard Nuk**, San Francisco, CA (US);  
**Jinseok Hwang**, Walnut Creek, CA  
(US); **Alex Millie**, San Francisco, CA  
(US); **Seounghyun Son**, San Francisco,  
CA (US); **Jeffrey Jones**, San Francisco,  
CA (US); **Jiyeon Lee**, Emeryville, CA  
(US)

(73) Assignee: **SAMSUNG ELECTRONICS CO.,**  
**LTD.**, Suwon-si (KR)

(\*\*) Term: **15 Years**

(21) Appl. No.: **29/538,458**

(22) Filed: **Sep. 3, 2015**

(51) **LOC (11) Cl.** ..... **14-02**

(52) **U.S. Cl.**  
USPC ..... **D14/341**

(58) **Field of Classification Search**

USPC ..... D14/341-347, 137, 138 R, 138 AA,  
D14/138 C, 138 G, 496, 203.1, 203.3,  
D14/203.4, 203.7, 129, 130, 147, 218,  
D14/248, 389, 388, 426, 420; D10/65,  
D10/104.1; D18/6, 7; D21/324, 329,  
D21/330; 455/556.1, 556.2, 566, 575.1,  
455/90.3; 379/433.04, 433.01, 433.06,  
379/916; 345/173, 901, 905;  
361/679.26, 679.3, 679.55, 679.56  
CPC .... H04M 1/00; H04M 11/066; H04M 1/2478;  
H04M 1/72519; H04M 2201/38; H04M  
2250/22; G06F 15/00

See application file for complete search history.

(56) **References Cited**

**U.S. PATENT DOCUMENTS**

D613,951 S \* 4/2010 Tang ..... D14/371  
D628,575 S \* 12/2010 Ko ..... D14/374

D645,861 S \* 9/2011 Chen ..... D14/337  
D664,530 S \* 7/2012 Hsu ..... D14/315  
D669,070 S \* 10/2012 Hsu ..... D14/341  
D673,129 S \* 12/2012 Kumano ..... D14/126  
D678,877 S 3/2013 Groene et al.  
D709,509 S \* 7/2014 Kim ..... D14/440  
D710,860 S \* 8/2014 Johnson ..... D14/447

(Continued)

**FOREIGN PATENT DOCUMENTS**

EM 001012082-0005 1/2009  
KR 30-0697159 6/2013

*Primary Examiner* — Katie Jane Stofko

(74) *Attorney, Agent, or Firm* — McAndrews Held &  
Malloy, Ltd.

(57) **CLAIM**

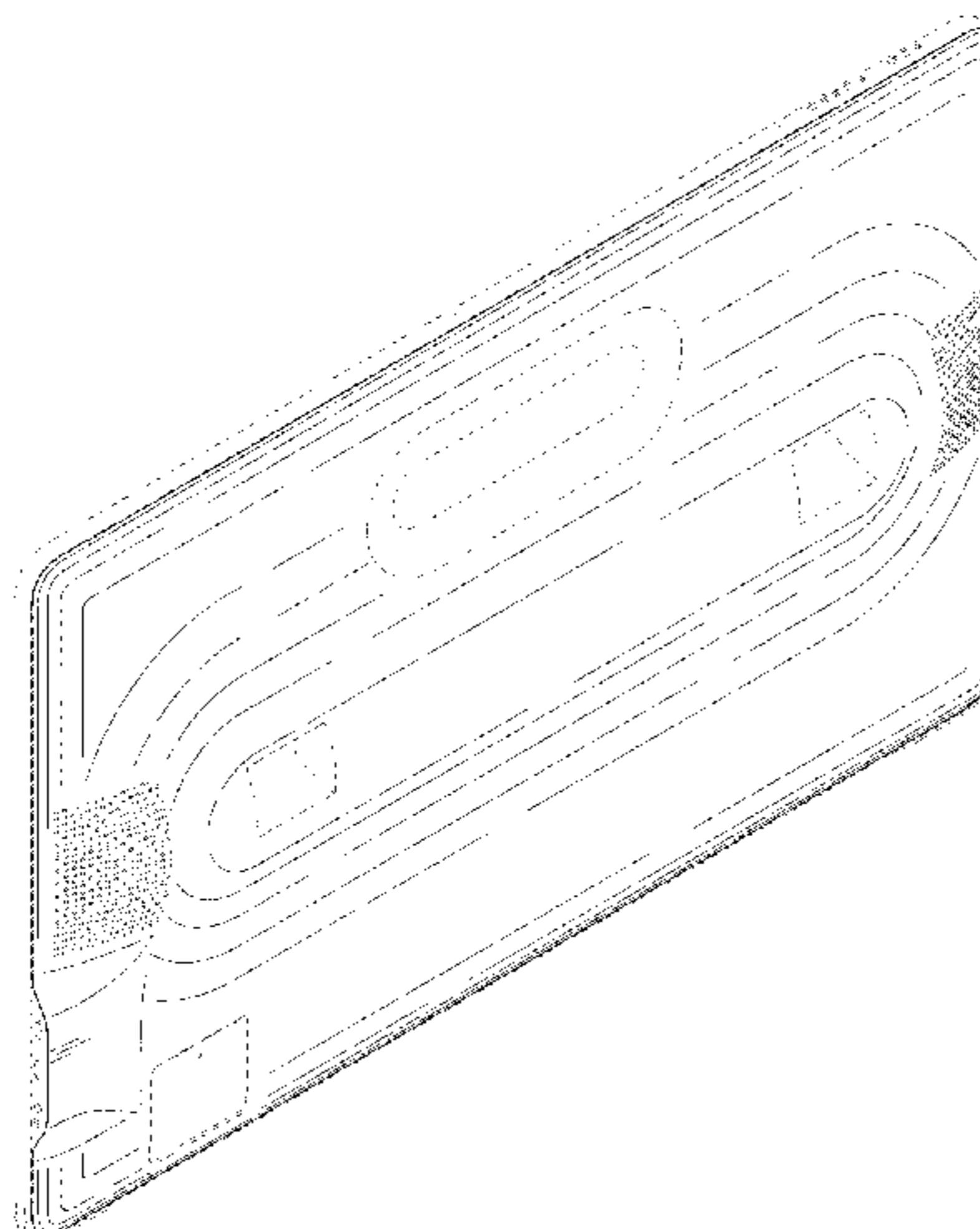
The ornamental design for an electronic device, as shown  
and described.

**DESCRIPTION**

FIG. 1 is a top front perspective view of an electronic device  
showing our new design;  
FIG. 2 is a front elevation view thereof;  
FIG. 3 is a rear elevation view thereof;  
FIG. 4 is a left-side elevation view thereof;  
FIG. 5 is a right-side elevation view thereof;  
FIG. 6 is a top plan view thereof;  
FIG. 7 is a bottom plan view thereof;  
FIG. 8 is a top rear perspective view thereof;  
FIG. 9 is a bottom rear perspective view thereof; and,  
FIG. 10 is an enlarged view of the encircled portion of FIG.  
5.

The dashed broken lines depict portions of the electronic  
device that form no part of the claimed design.  
The dot-dash broken lines encircling portions of the claimed  
design that are illustrated in enlargements form no part of the  
claimed design.

**1 Claim, 8 Drawing Sheets**



(56)

**References Cited**

U.S. PATENT DOCUMENTS

D730,346 S *	5/2015	Lee .....	D14/341
D730,538 S *	5/2015	Lin .....	D24/231
D737,266 S *	8/2015	Myung .....	D14/315
D751,545 S *	3/2016	Lee .....	D14/341
D791,140 S *	7/2017	Nuk .....	D14/447

\* cited by examiner

FIG. 1

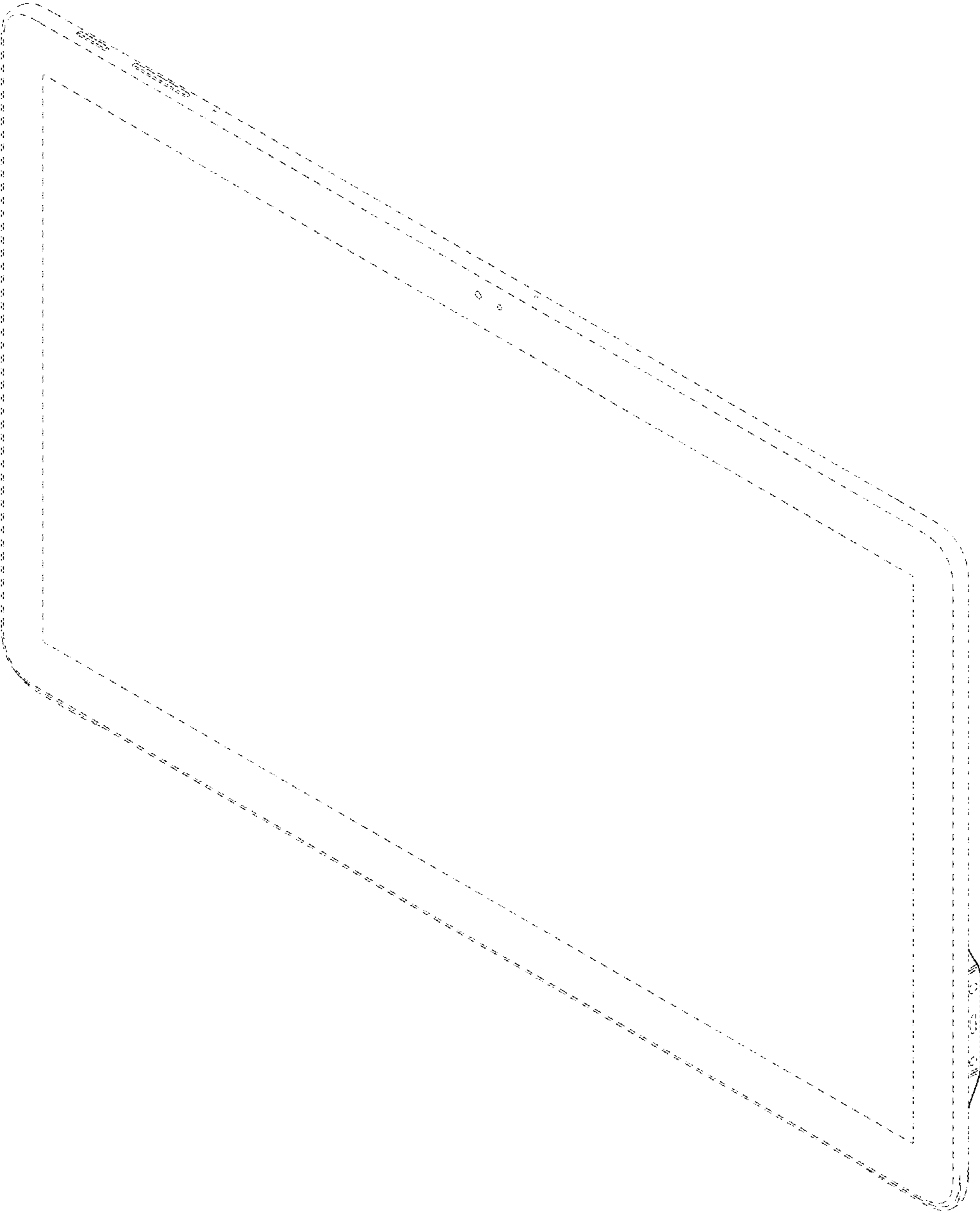


FIG. 2



FIG. 3

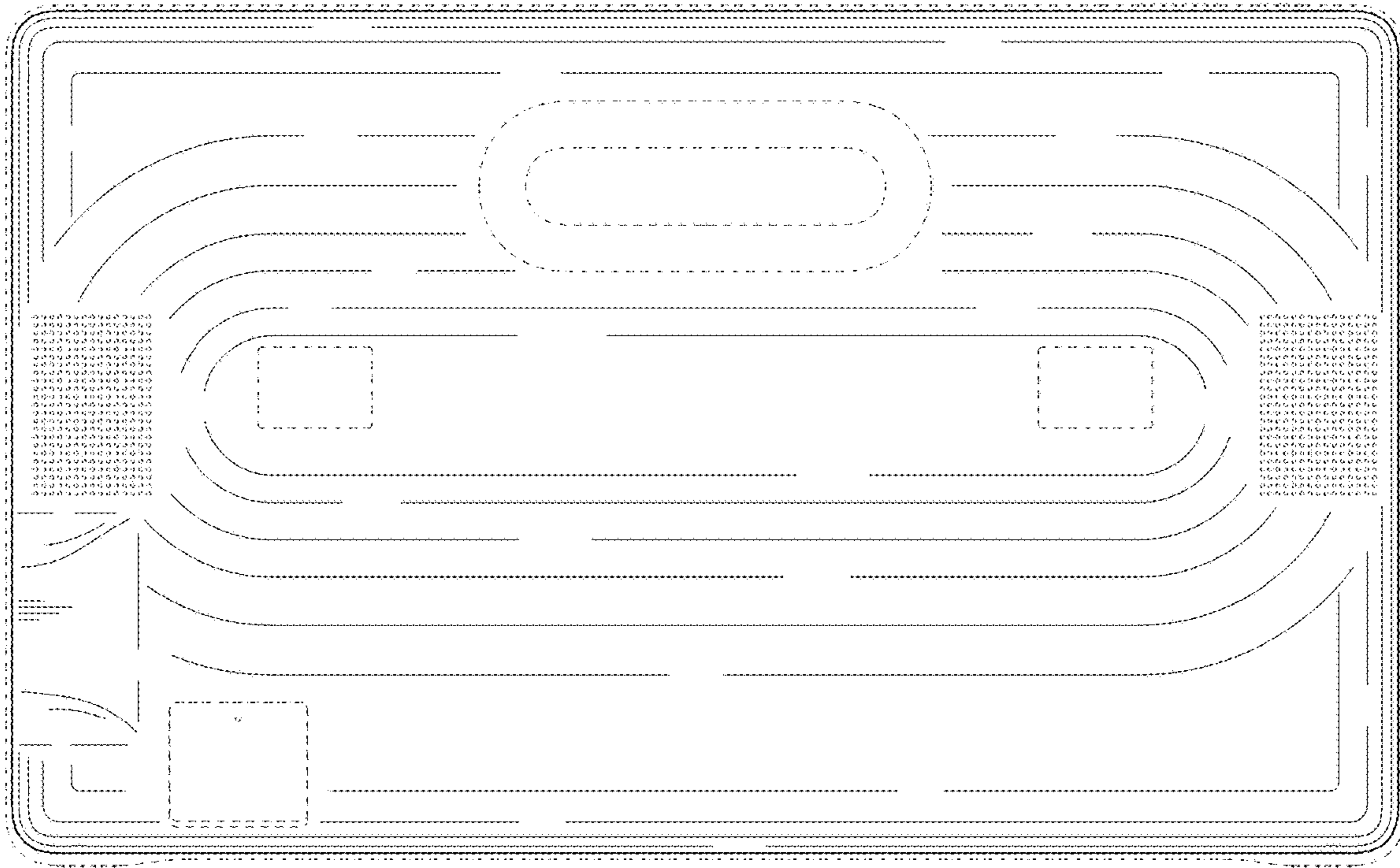


FIG. 4

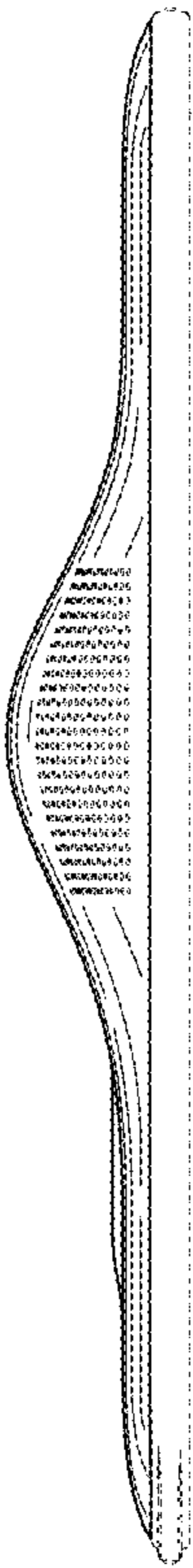


FIG. 5

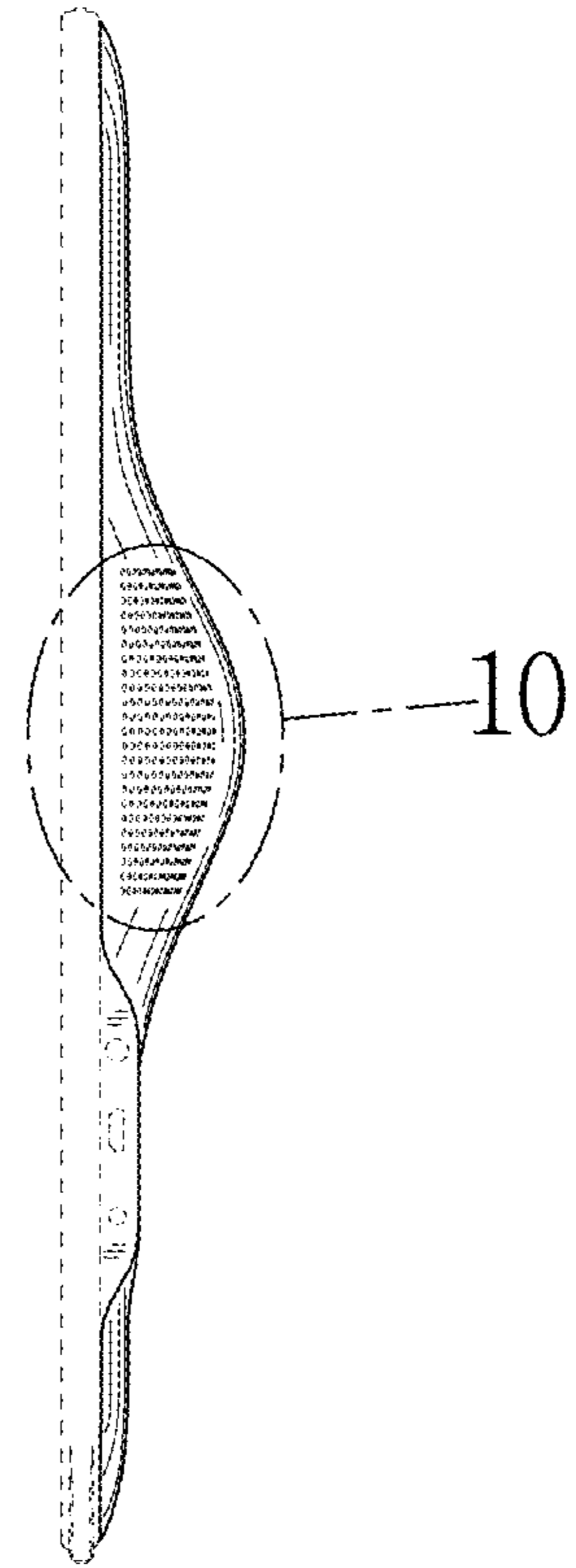


FIG. 6

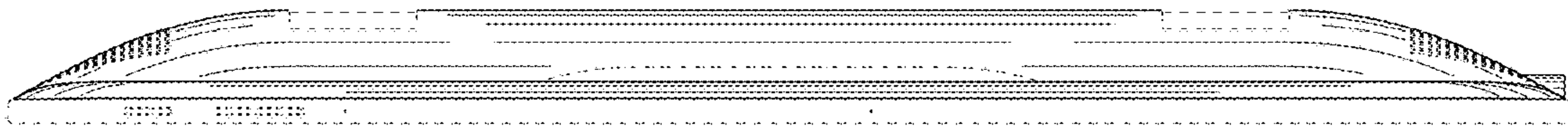


FIG. 7

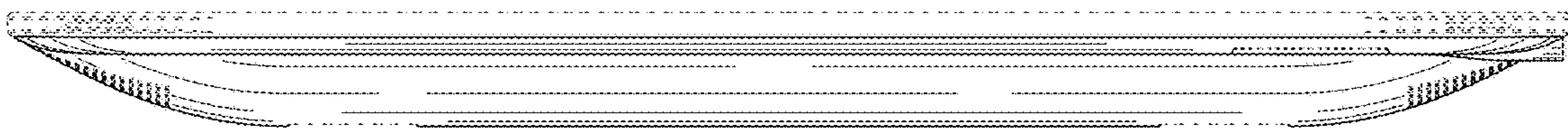


FIG. 8

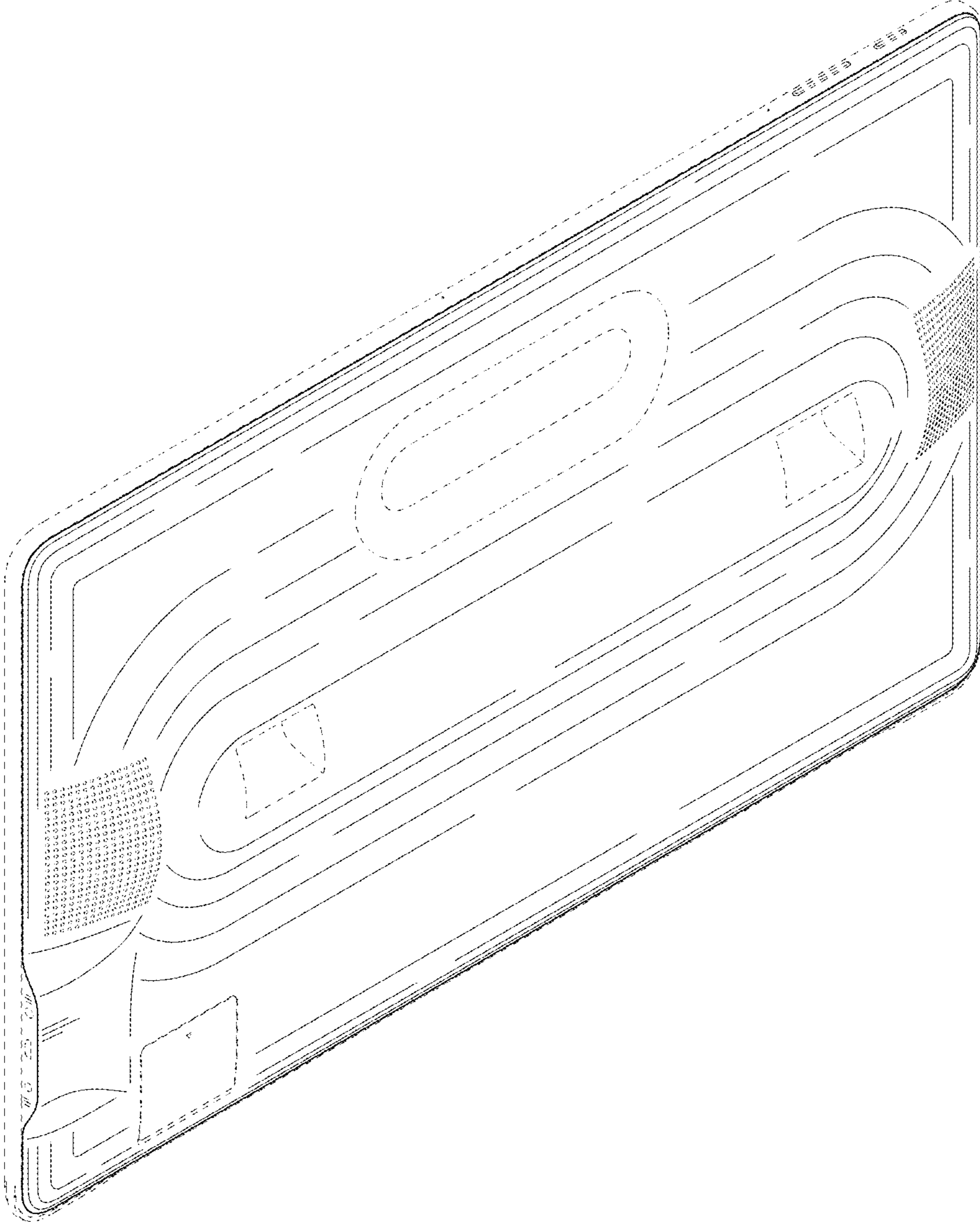




FIG. 9

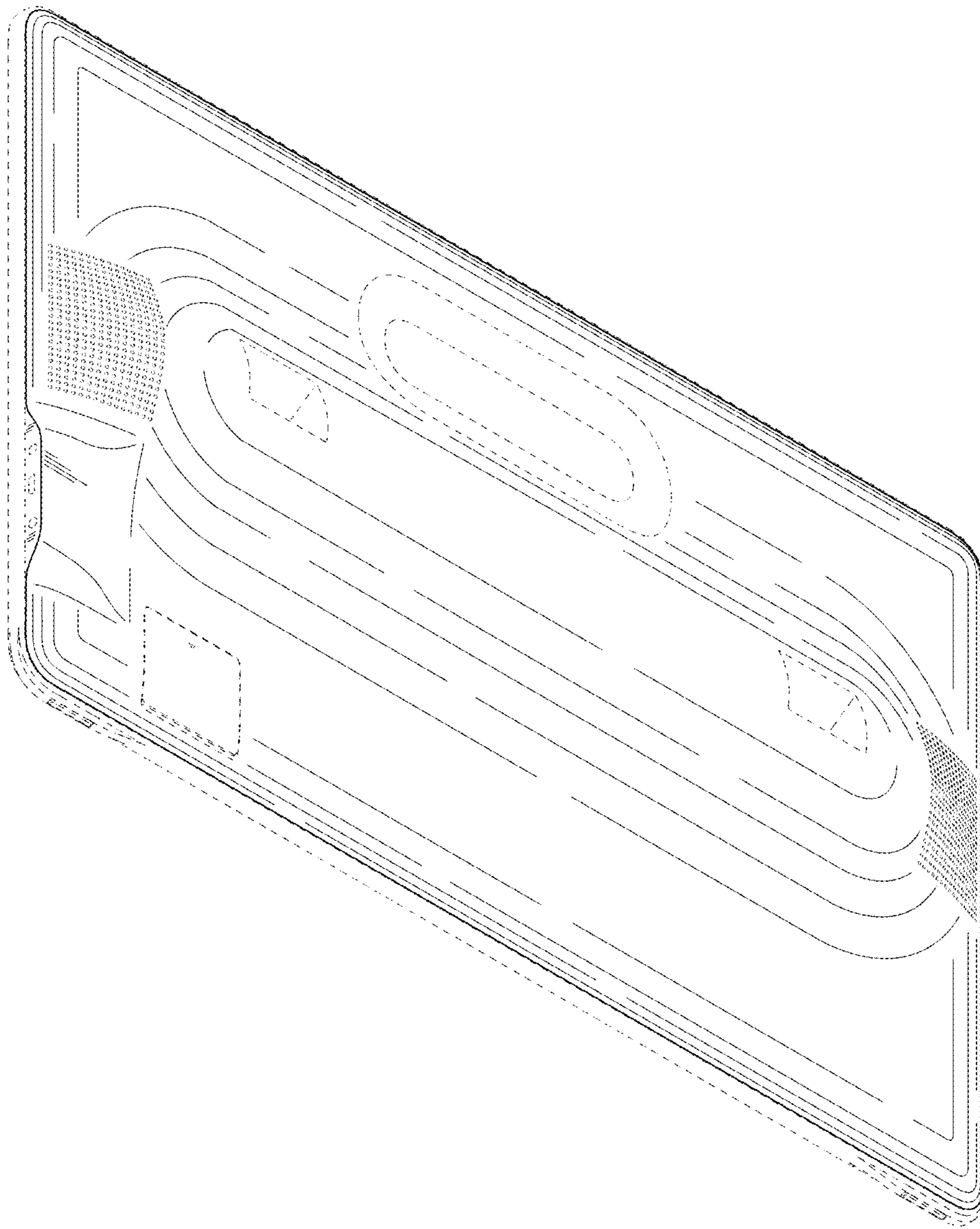


FIG. 10

