



US00D822651S

(12) **United States Design Patent** (10) **Patent No.:** **US D822,651 S**
Gutteridge et al. (45) **Date of Patent:** **** Jul. 10, 2018**

(54) **GATEWAY**

(71) Applicant: **Lucis Technologies Holdings Limited**,
Grand Cayman (KY)

(72) Inventors: **Steven Paul Gutteridge**, Shanghai
(CN); **Xiaofeng Yuan**, Shanghai (CN)

(73) Assignee: **Lucis Technologies Holdings Limited**,
Grand Cayman (KY)

(**) Term: **15 Years**

(21) Appl. No.: **29/589,094**

(22) Filed: **Dec. 28, 2016**

(51) **LOC (11) Cl.** **14-03**

(52) **U.S. Cl.**
USPC **D14/240; D14/358**

(58) **Field of Classification Search**

USPC D14/356, 357, 358, 361, 362, 365, 367,
D14/370, 388, 432, 434, 203.1, 203.6,
D14/204, 205, 216, 217, 218, 240, 242,
D14/299, 125, 129, 130, 140, 155, 168,
D14/188, 195, 300, 302, 314, 348, 351,
D14/496, 142; D13/103, 107, 108, 123,
D13/152, 162, 162.1, 163, 168, 184, 199,
D13/137.1, 137.2, 137.3, 139.1, 158, 110;
D10/104.1, 106.6, 116.1, 61, 64, 75;

(Continued)

(56) **References Cited**

U.S. PATENT DOCUMENTS

D268,029 S * 2/1983 Fisher D14/385
D280,894 S * 10/1985 Dickey D13/137.3

(Continued)

FOREIGN PATENT DOCUMENTS

CA 167332 S 10/2016
CA 172370 S 9/2017

(Continued)

OTHER PUBLICATIONS

Routers—extenders—gateways—wireless network communication devices (Design—©Questel). orbit.com.[online PDF] 56 pgs. Print Dates range Feb. 16, 2009 through Oct. 25, 2017. [Retrieved on Nov. 12, 2017] <https://sobjprd.questel.fr/export/QPTUJ214/pdf2/f18d3ed1-3924-4f44-9b27-a53de16c1aa8-165834.pdf>.*

(Continued)

Primary Examiner — Susan Bennett Hattan

Assistant Examiner — Marie D. Fast Horse

(74) *Attorney, Agent, or Firm* — Metis IP LLC

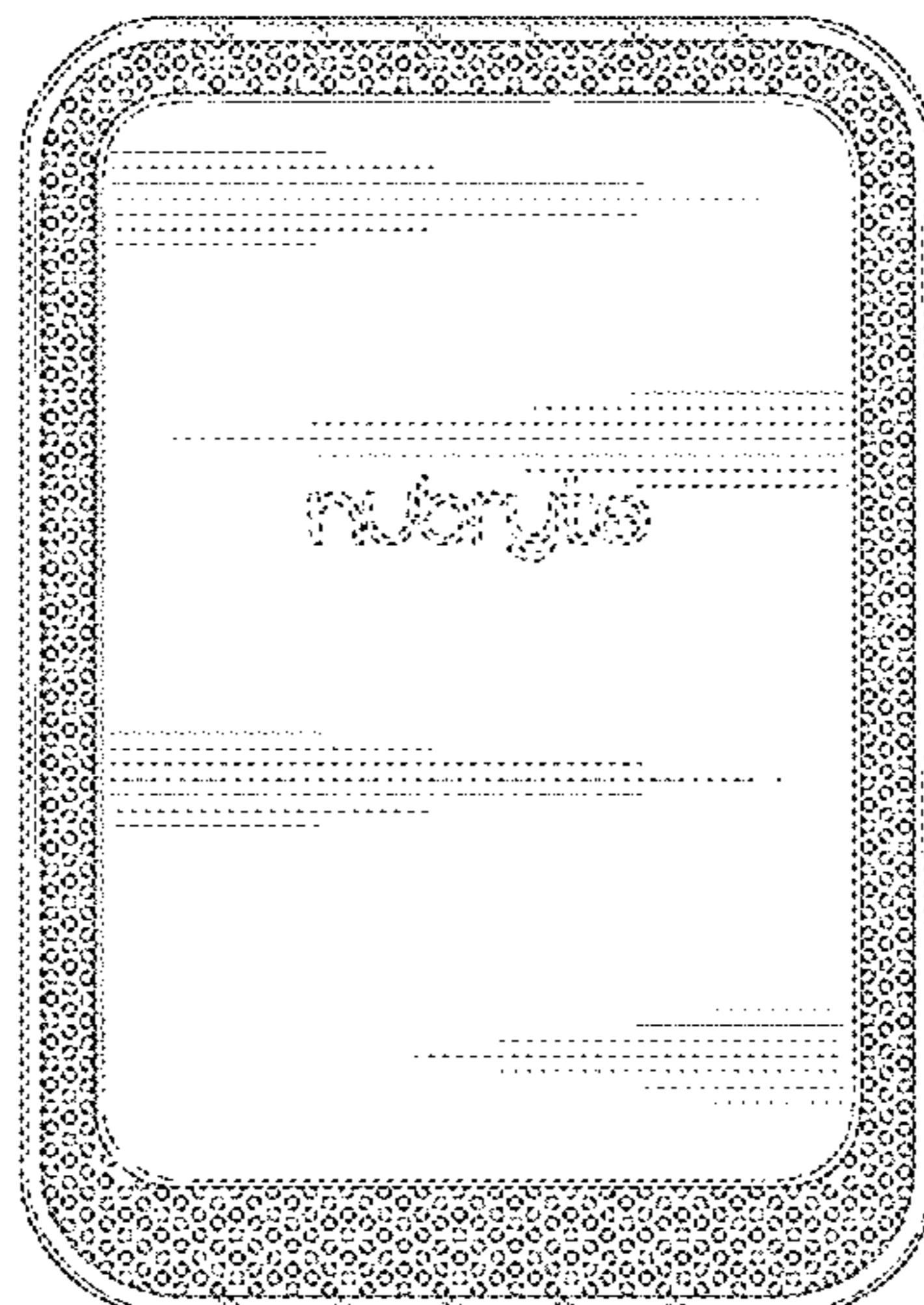
(57) **CLAIM**

The ornamental design for a gateway, as shown and described.

DESCRIPTION

FIG. 1 is a front view of a gateway showing one embodiment of our new design;
FIG. 2 is a rear view thereof;
FIG. 3 is a right view thereof;
FIG. 4 is a left view thereof;
FIG. 5 is a top view thereof;
FIG. 6 is a bottom view thereof; and
FIG. 7 is a perspective view thereof.
FIG. 8 is a front view of a gateway showing another embodiment of our new design;
FIG. 9 is a rear view thereof;
FIG. 10 is a right view thereof;
FIG. 11 is a left view thereof;
FIG. 12 is a top view thereof;
FIG. 13 is a bottom view thereof; and,
FIG. 14 is a perspective view thereof.
The broken lines within the figures depict portions of the gateway are for illustrative purposes only and form no part of the claimed design.

1 Claim, 14 Drawing Sheets



(58) **Field of Classification Search**

USPC D22/119, 120; D23/355, 364, 366;
 D26/26, 72, 73, 32, 34, 366, 367
 CPC ... H04W 88/08; H04W 88/085; H04W 88/00;
 H04W 88/005; H04W 88/02; H04W
 88/12; H04W 88/14; H04W 88/16; H04W
 88/18; H04W 4/00; H01Q 1/02; H01Q
 1/2291; H01Q 1/246; H04B 1/38
 See application file for complete search history.

(56) **References Cited**

U.S. PATENT DOCUMENTS

D288,177 S * 2/1987 Yang D10/40
 D301,750 S * 6/1989 Fenne D26/26
 4,939,623 A 7/1990 Equi et al.
 D310,063 S * 8/1990 Cheng D13/137.3
 D314,177 S * 1/1991 Heiligenstein D13/138.1
 D314,368 S * 2/1991 Schwartz D13/137.3
 D315,893 S * 4/1991 Cheng D13/137.3
 D317,311 S * 6/1991 Anderson D14/242
 D339,563 S 9/1993 Usami
 D343,015 S * 1/1994 Yuen D26/26
 D350,113 S * 8/1994 Nagele D13/110
 D352,667 S * 11/1994 Chen D10/40
 D357,224 S * 4/1995 Nagele D13/107
 D363,289 S * 10/1995 Kobayashi D14/242
 D374,675 S * 10/1996 Sakai D14/242
 5,613,863 A 3/1997 Klaus et al.
 D382,251 S * 8/1997 Tsui D13/137.1
 D397,814 S * 9/1998 Pun D26/26
 D425,480 S * 5/2000 Jokinen D13/107
 D426,657 S * 6/2000 Joss D26/26
 D426,658 S * 6/2000 Yuen D26/26
 6,086,395 A 7/2000 Lloyd et al.
 D429,238 S 8/2000 Kolinen
 D435,124 S * 12/2000 Yuen D26/26
 D435,125 S * 12/2000 Boessel D26/26
 D442,916 S * 5/2001 Tong D13/137.2
 D487,728 S * 3/2004 Murray D13/162
 D489,337 S * 5/2004 Murray D13/162
 D492,262 S * 6/2004 Murray D13/162
 D492,263 S * 6/2004 Murray D13/162
 D534,087 S * 12/2006 Stekelenburg D10/40
 D534,440 S * 1/2007 Stekelenburg D10/40
 D534,441 S * 1/2007 Stekelenburg D10/40
 D535,201 S * 1/2007 Stekelenburg D10/40
 D565,036 S * 3/2008 Ju D14/240
 D565,558 S * 4/2008 Liu D14/240
 D573,985 S 7/2008 Jeong et al.
 D575,775 S * 8/2008 Sekine D13/137.3
 D582,794 S * 12/2008 Stekelenburg D10/40
 D582,795 S * 12/2008 Stekelenburg D10/40

D596,562 S * 7/2009 Hong D13/108
 D609,642 S * 2/2010 Gandolfi D13/137.2
 D618,833 S * 6/2010 Wei D26/26
 D620,815 S * 8/2010 Stekelenburg D10/40
 D621,285 S * 8/2010 Stekelenburg D10/40
 D638,355 S * 5/2011 Chen D13/110
 D638,356 S * 5/2011 Chen D13/110
 D646,590 S * 10/2011 Stekelenburg D10/40
 D658,122 S * 4/2012 Tsoi D13/108
 D669,029 S * 10/2012 Huang D13/110
 D677,223 S * 3/2013 Cho D13/110
 D684,957 S * 6/2013 Smith D14/358
 D687,374 S * 8/2013 Biedermann D13/108
 D687,375 S * 8/2013 Franco D13/108
 D693,798 S 11/2013 Chuang et al.
 D694,713 S * 12/2013 Yeo D13/137.1
 D695,214 S * 12/2013 Roberts D13/107
 D705,170 S * 5/2014 Diehl D13/137.1
 D713,788 S * 9/2014 Hasegawa D13/110
 D714,753 S 10/2014 Lee et al.
 D724,583 S * 3/2015 Ge D14/358
 D730,880 S 6/2015 Nagata et al.
 D731,419 S * 6/2015 Kao D13/108
 D742,994 S * 11/2015 Mackay D22/122
 D755,762 S 5/2016 Moon
 D758,312 S * 6/2016 Lin D13/137.2
 D762,570 S * 8/2016 Precheur D13/108
 D767,426 S * 9/2016 Zhu D10/106.1
 D771,039 S * 11/2016 Windstrup D14/356
 D772,442 S * 11/2016 Lange D26/26
 D776,057 S * 1/2017 Burke D13/137.2
 D778,191 S * 2/2017 VanDuyn D10/104.1
 D778,754 S * 2/2017 Yang D10/118.2
 D790,460 S * 6/2017 HibmaCronan D13/110
 D790,461 S * 6/2017 HibmaCronan D13/110
 D797,665 S * 9/2017 Champaign D13/108
 D800,077 S * 10/2017 Windstrup D13/162.1
 2004/0121648 A1 * 6/2004 Voros H01R 13/6215
 439/535

FOREIGN PATENT DOCUMENTS

EM 0008902150002 S 4/2008
 EM 0013731610001 s 6/2013
 EM 0026080420001 S 2/2015
 EM 0029637020001 S 4/2016

OTHER PUBLICATIONS

Gateway User Manual Gateway Users Manualx Lucis Technolo-
 gies. fccid.io.[online] 11 pgs. Available Jul. 22, 2016 [Retrieved on
 Nov. 12, 2017] [https://fccid.io/2AEONGATEWAY/Users-Manual/
 Users-Manual-3074263](https://fccid.io/2AEONGATEWAY/Users-Manual/Users-Manual-3074263).*

* cited by examiner



FIG. 1

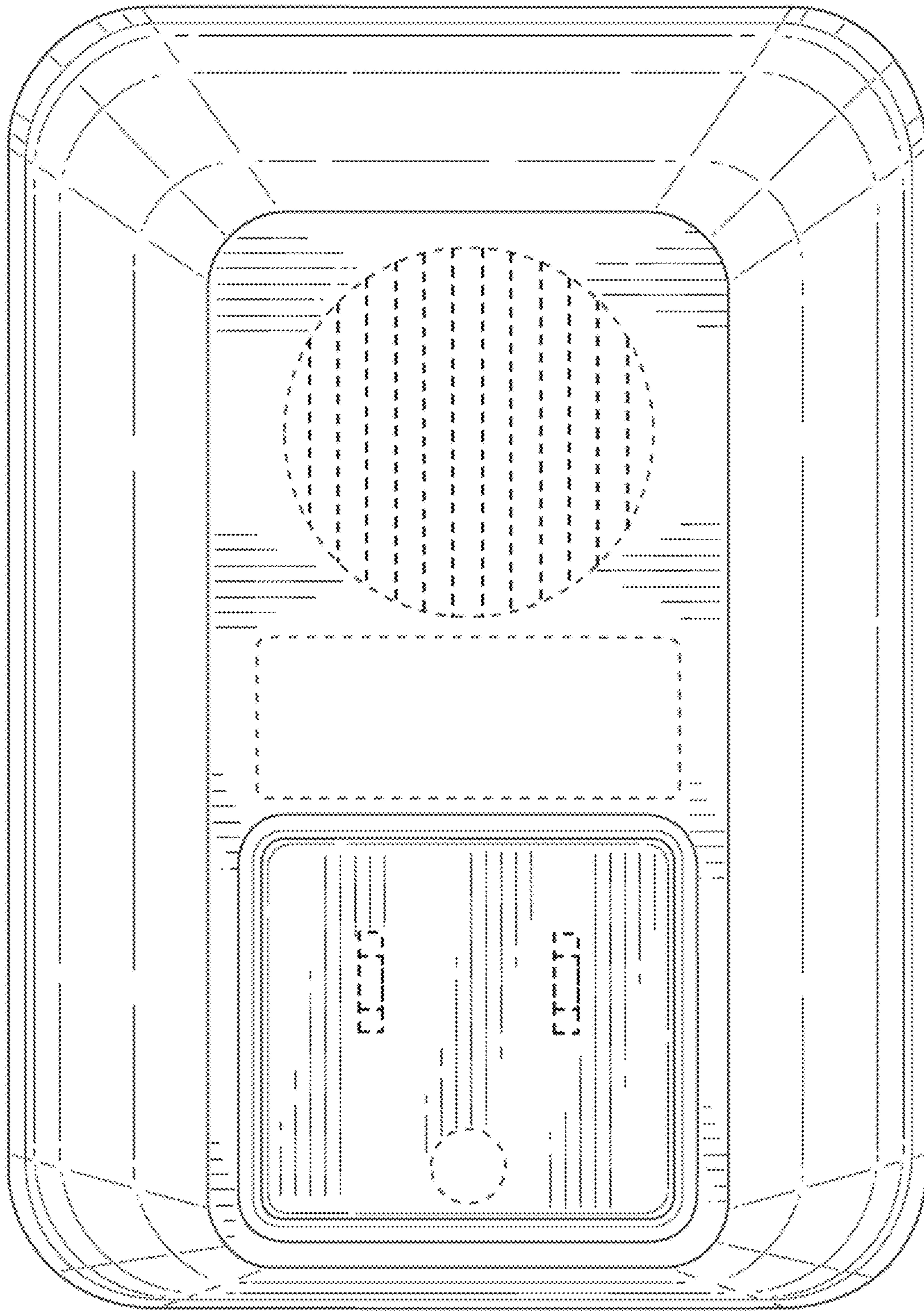


FIG. 2

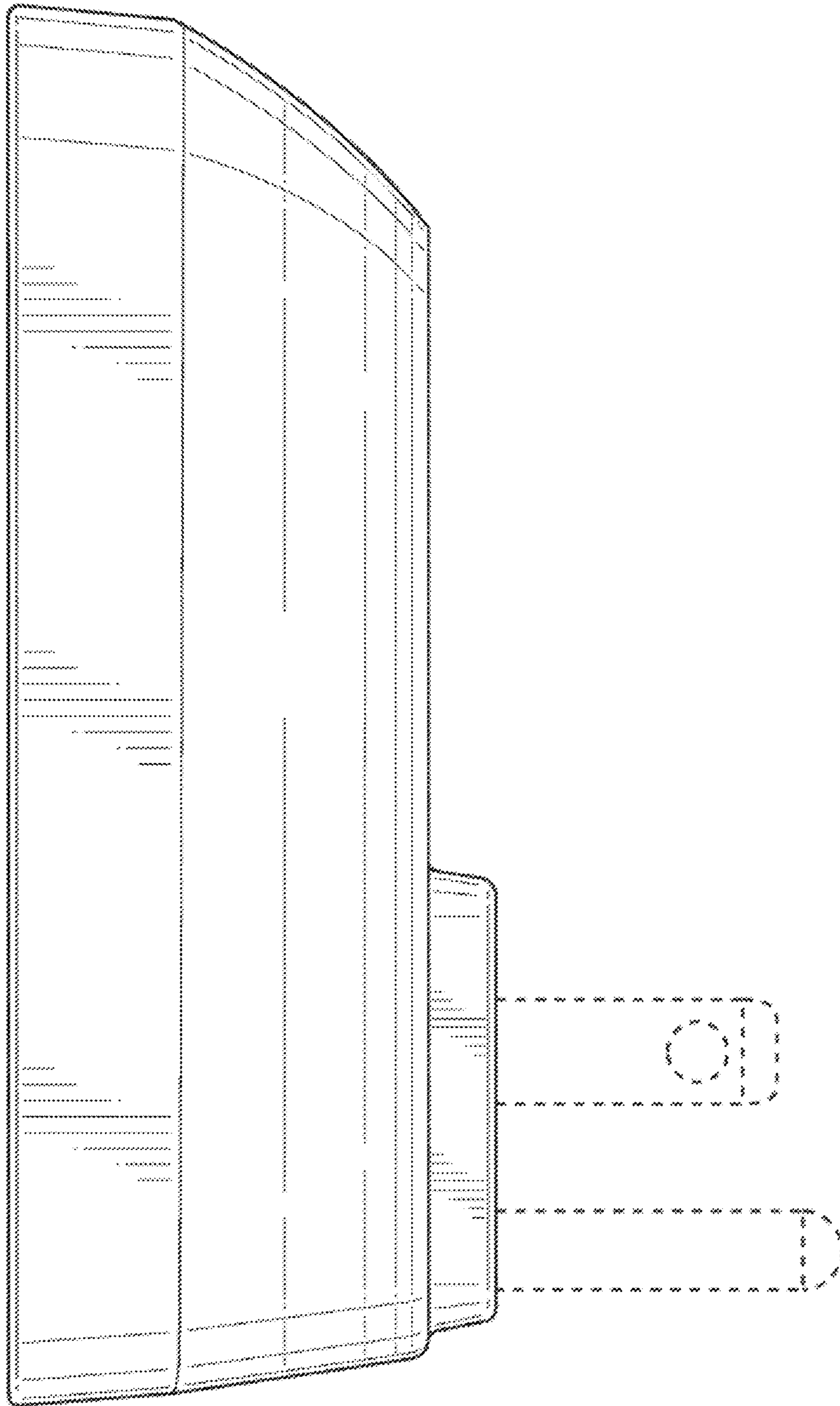


FIG. 3

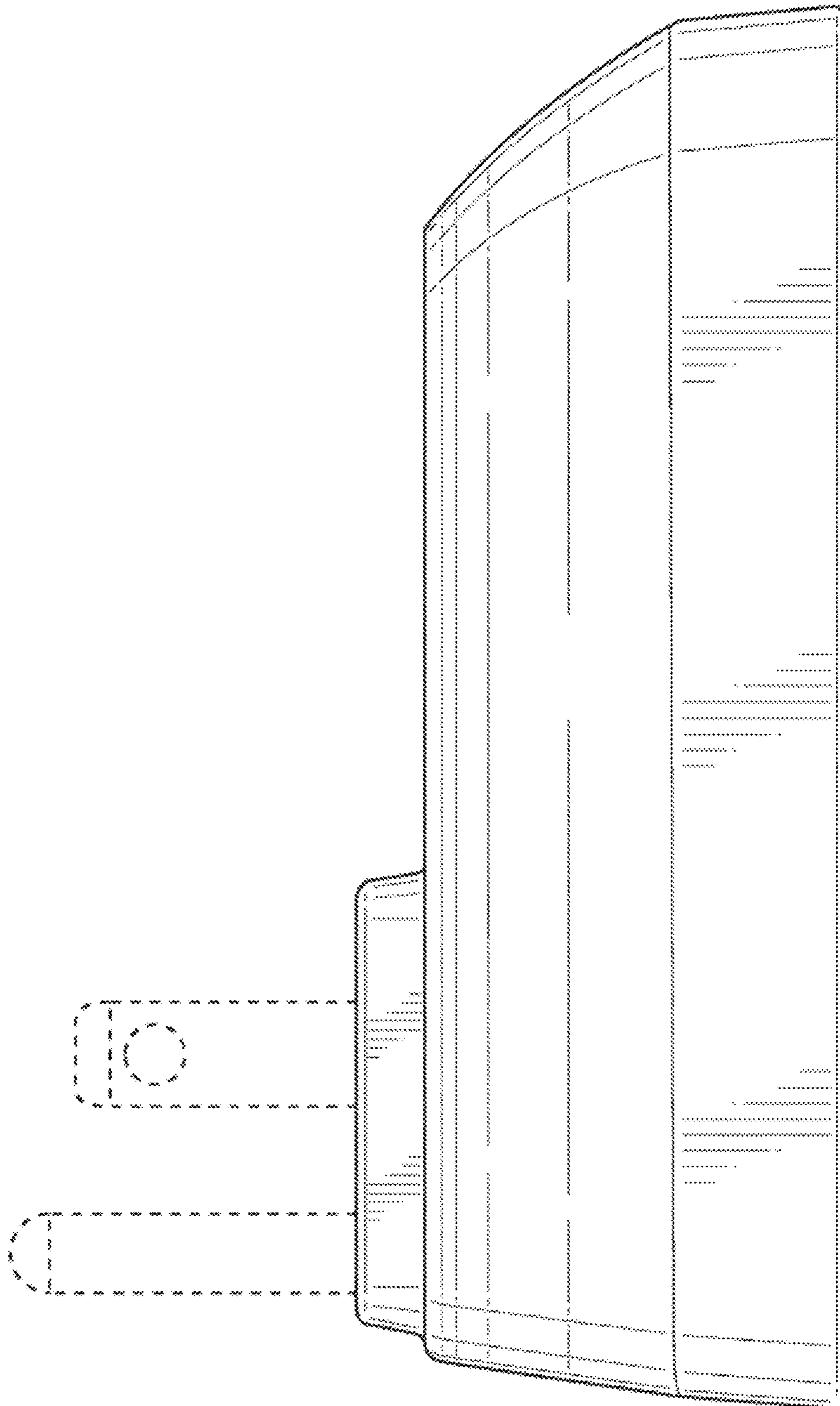


FIG. 4

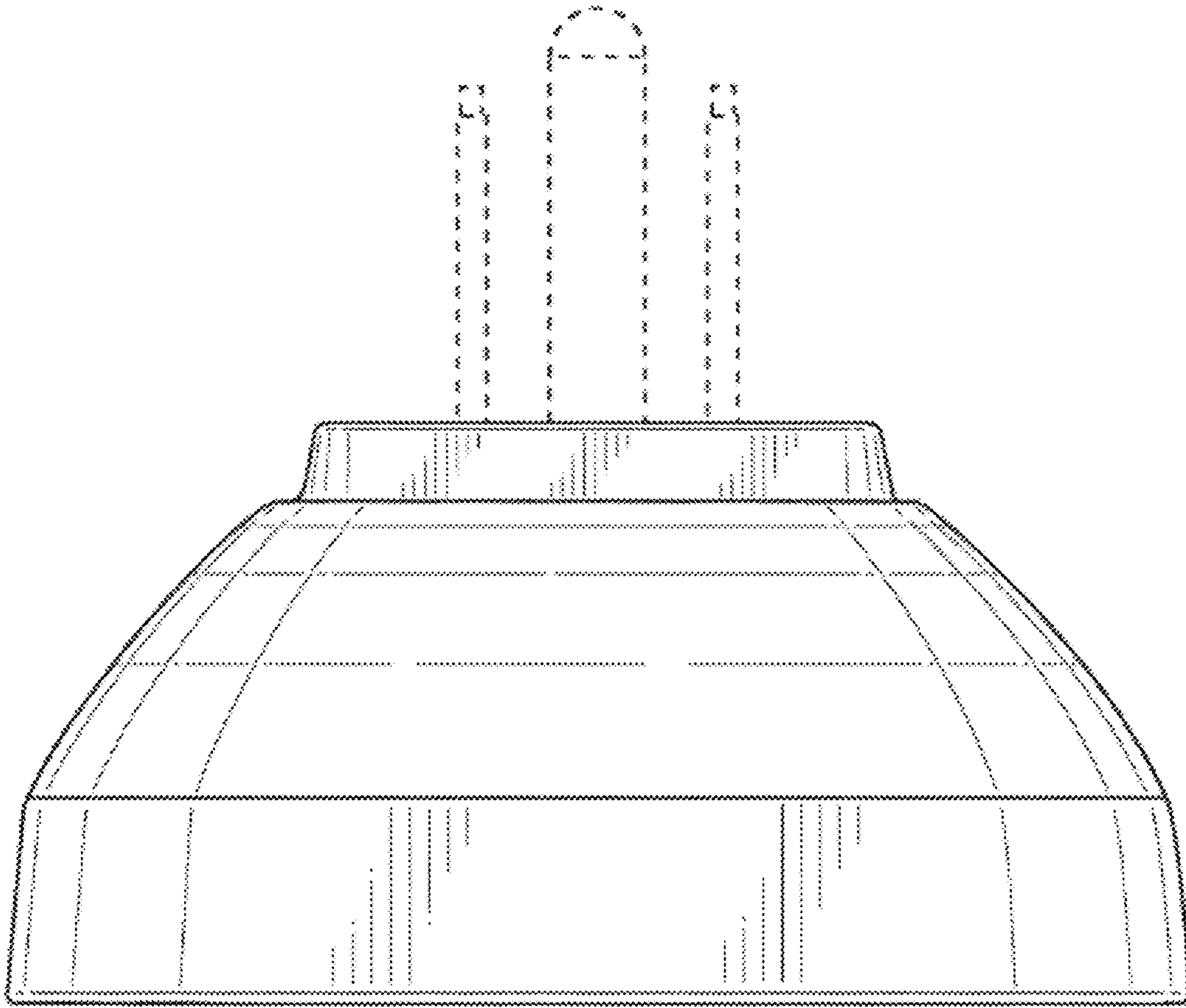


FIG. 5

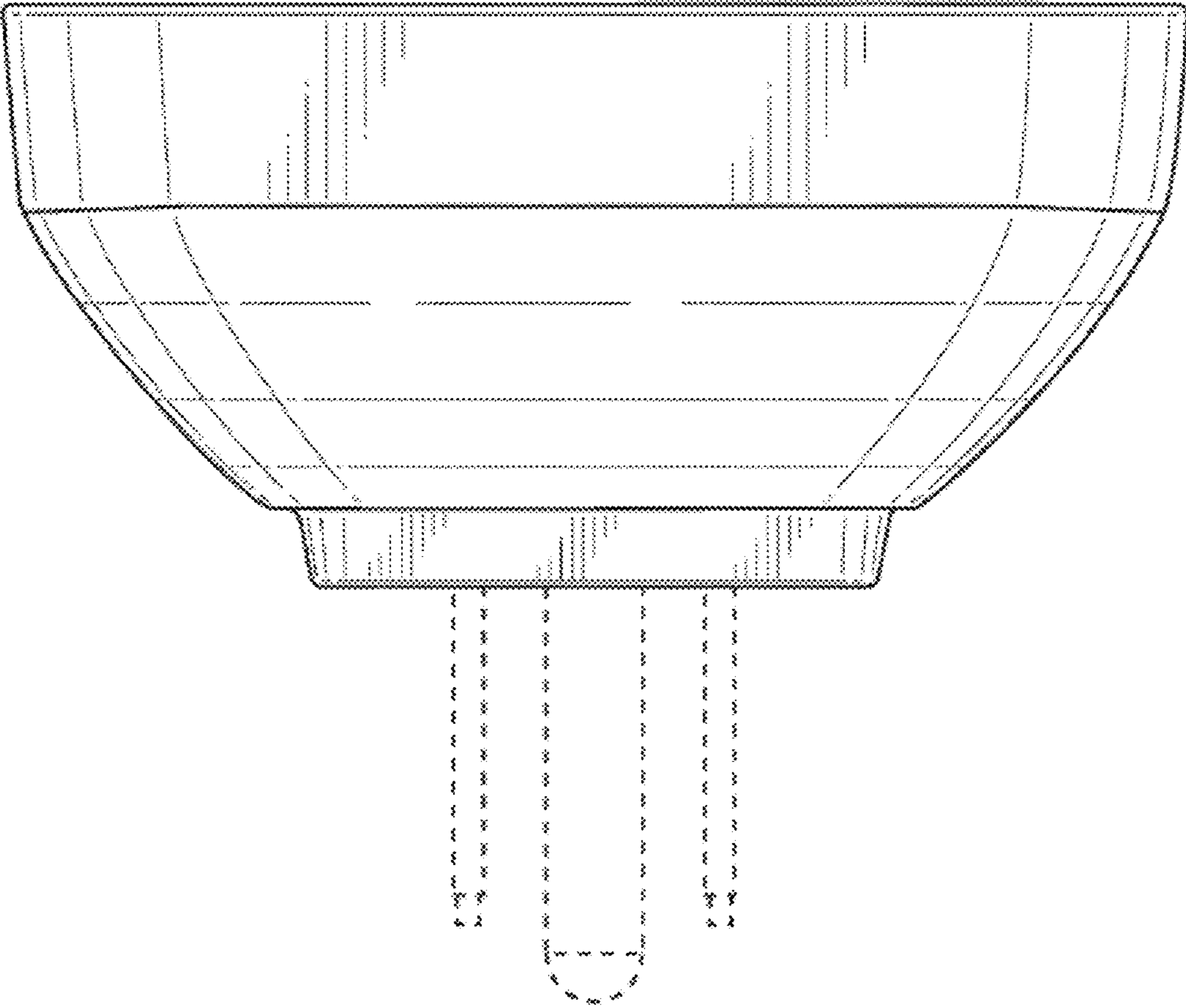


FIG. 6

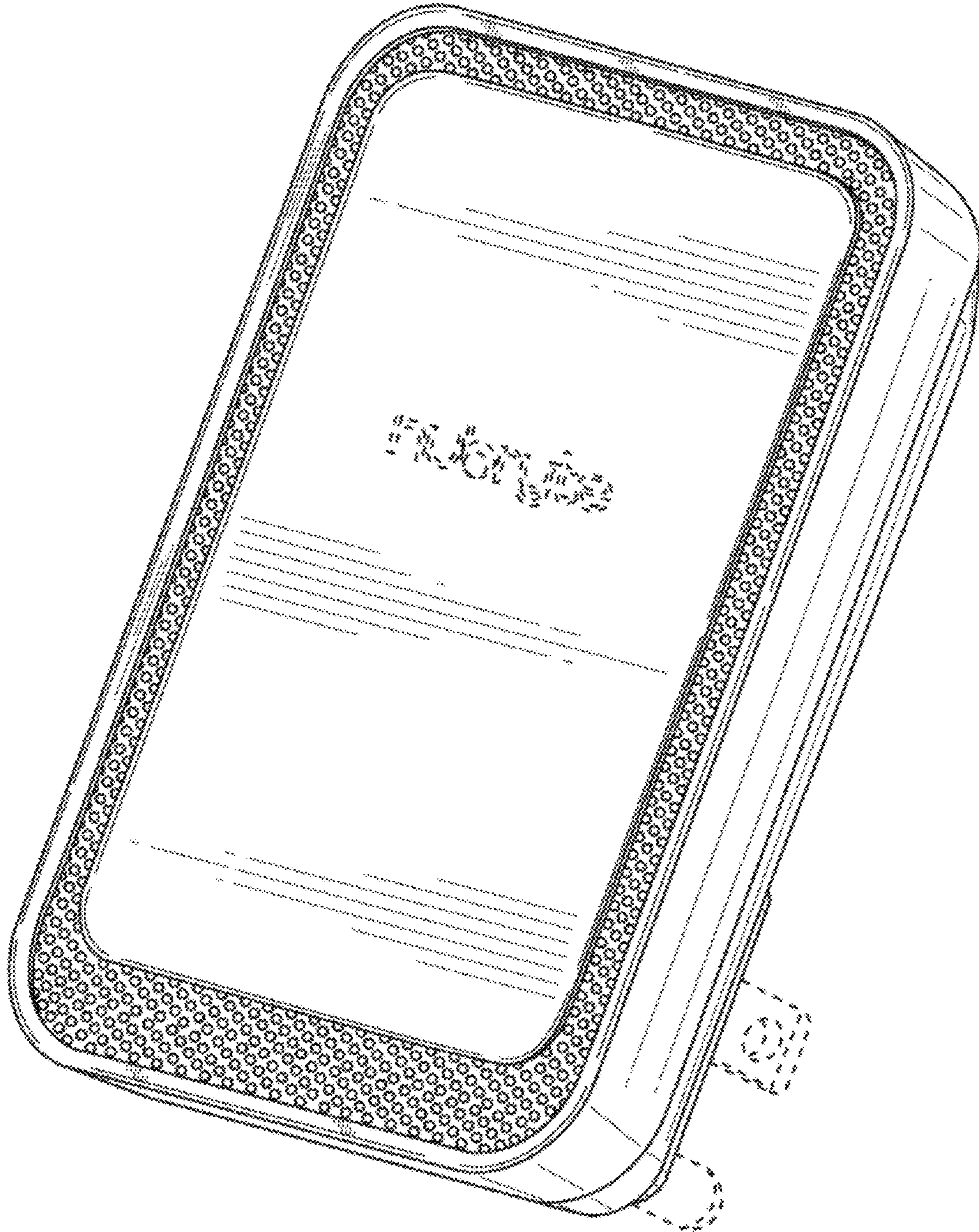


FIG. 7



FIG. 8

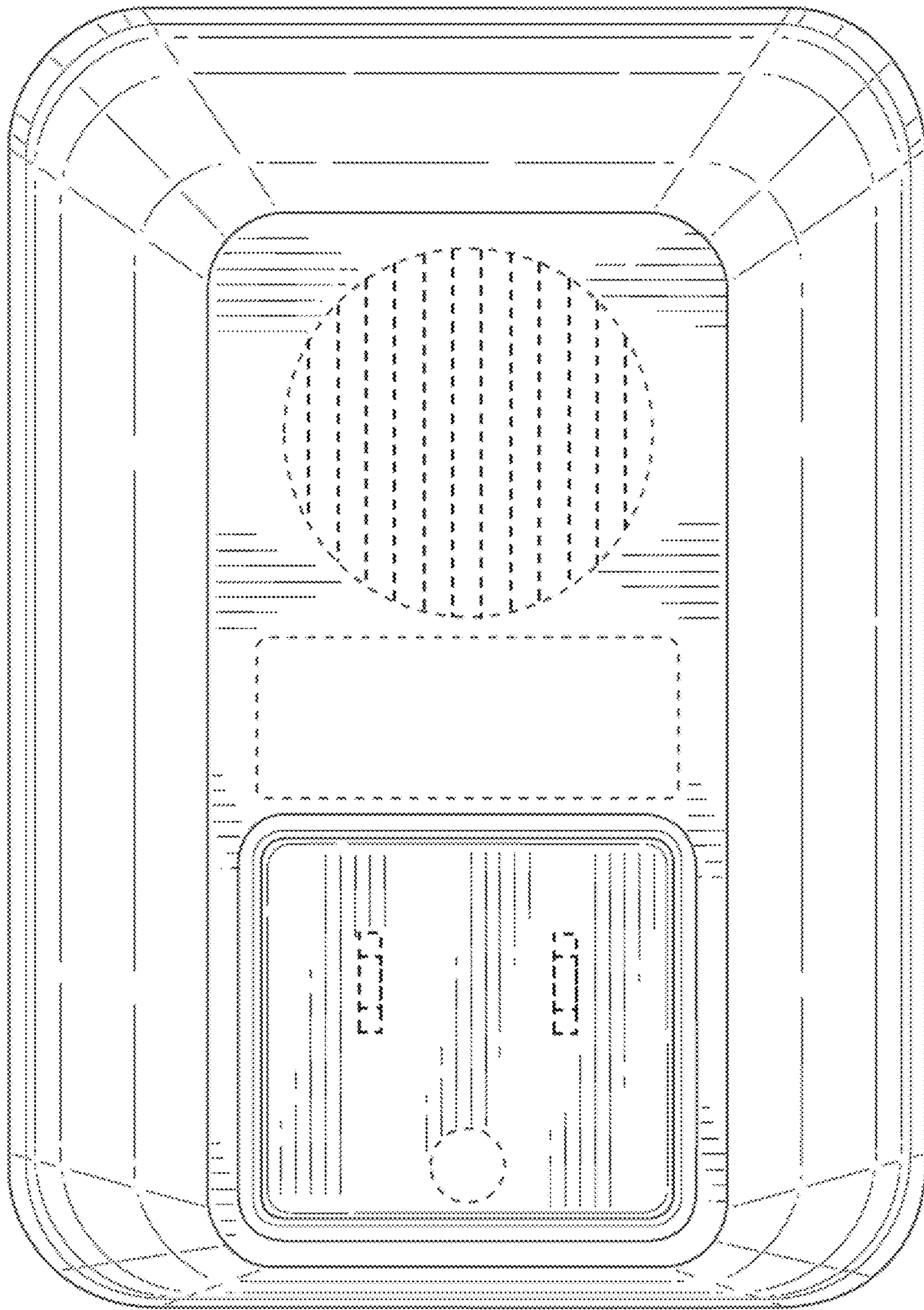


FIG. 9

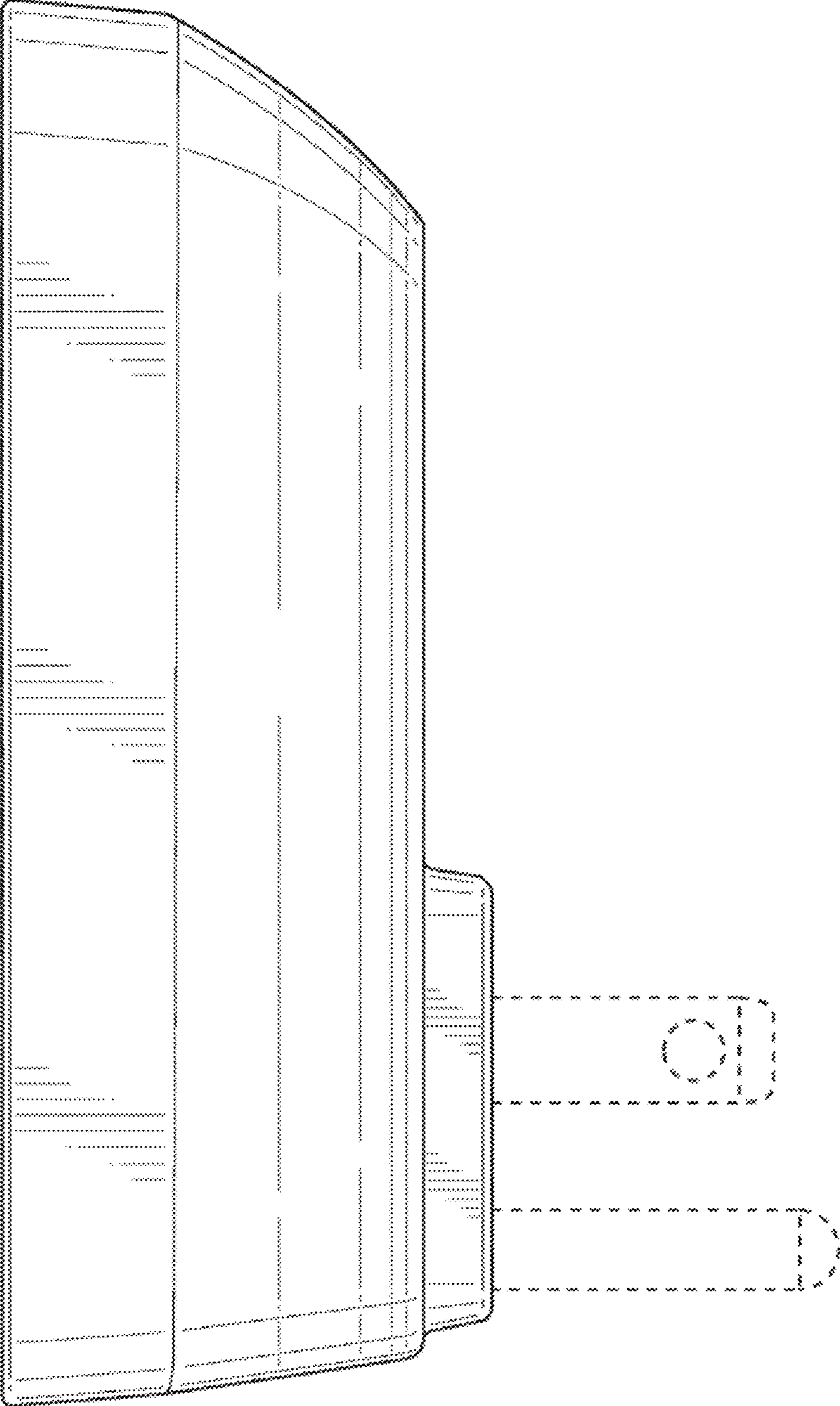


FIG. 10

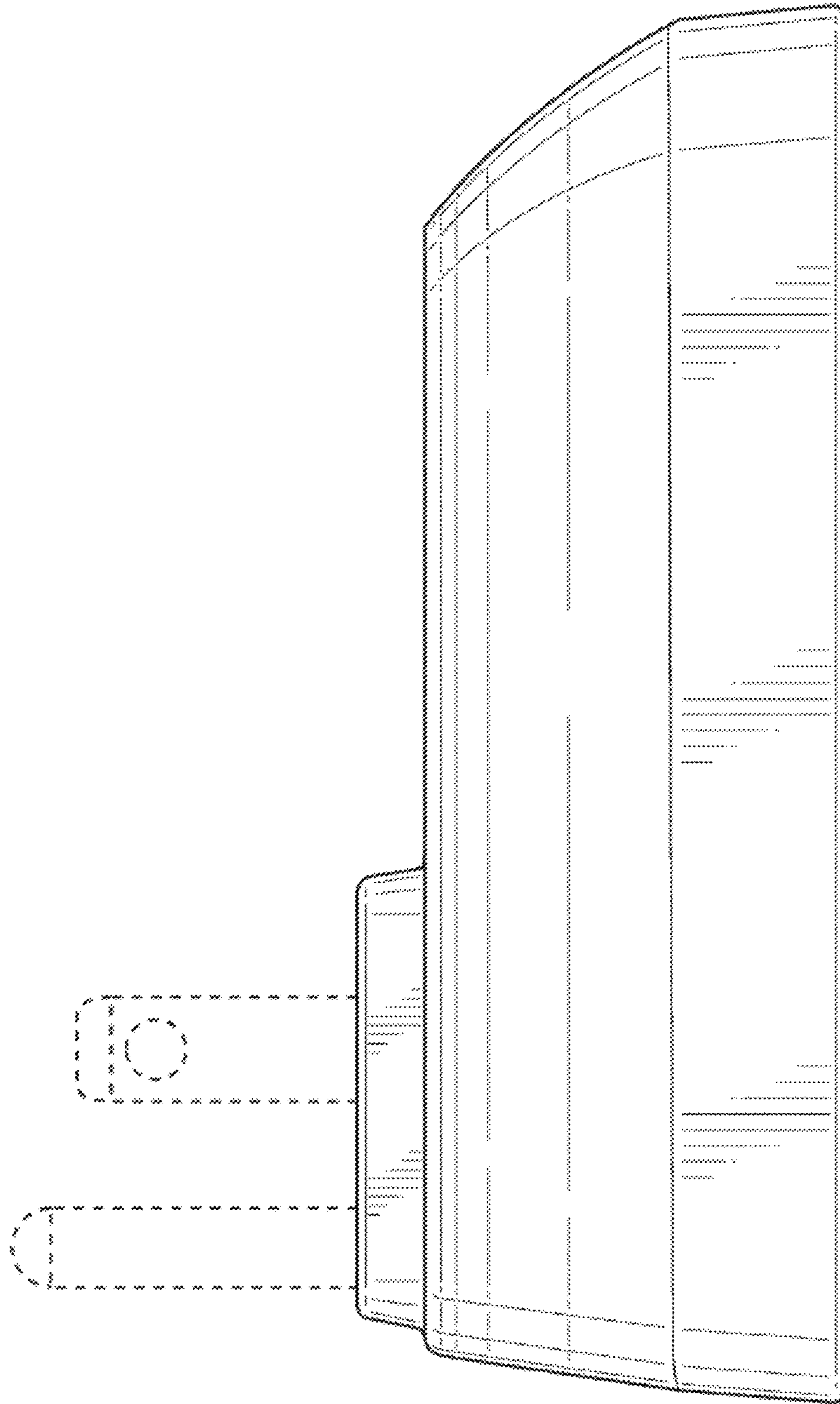


FIG. 11

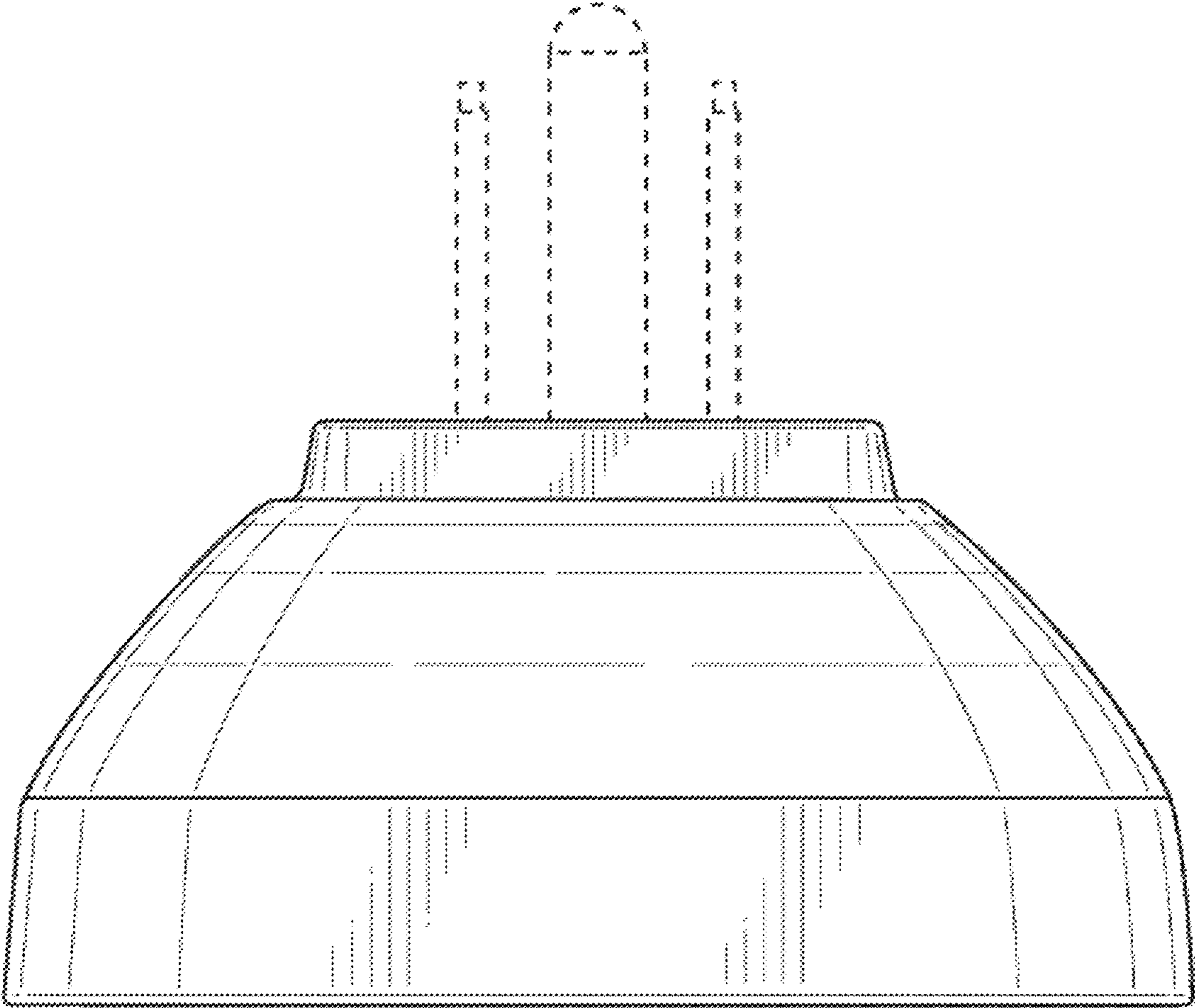


FIG. 12

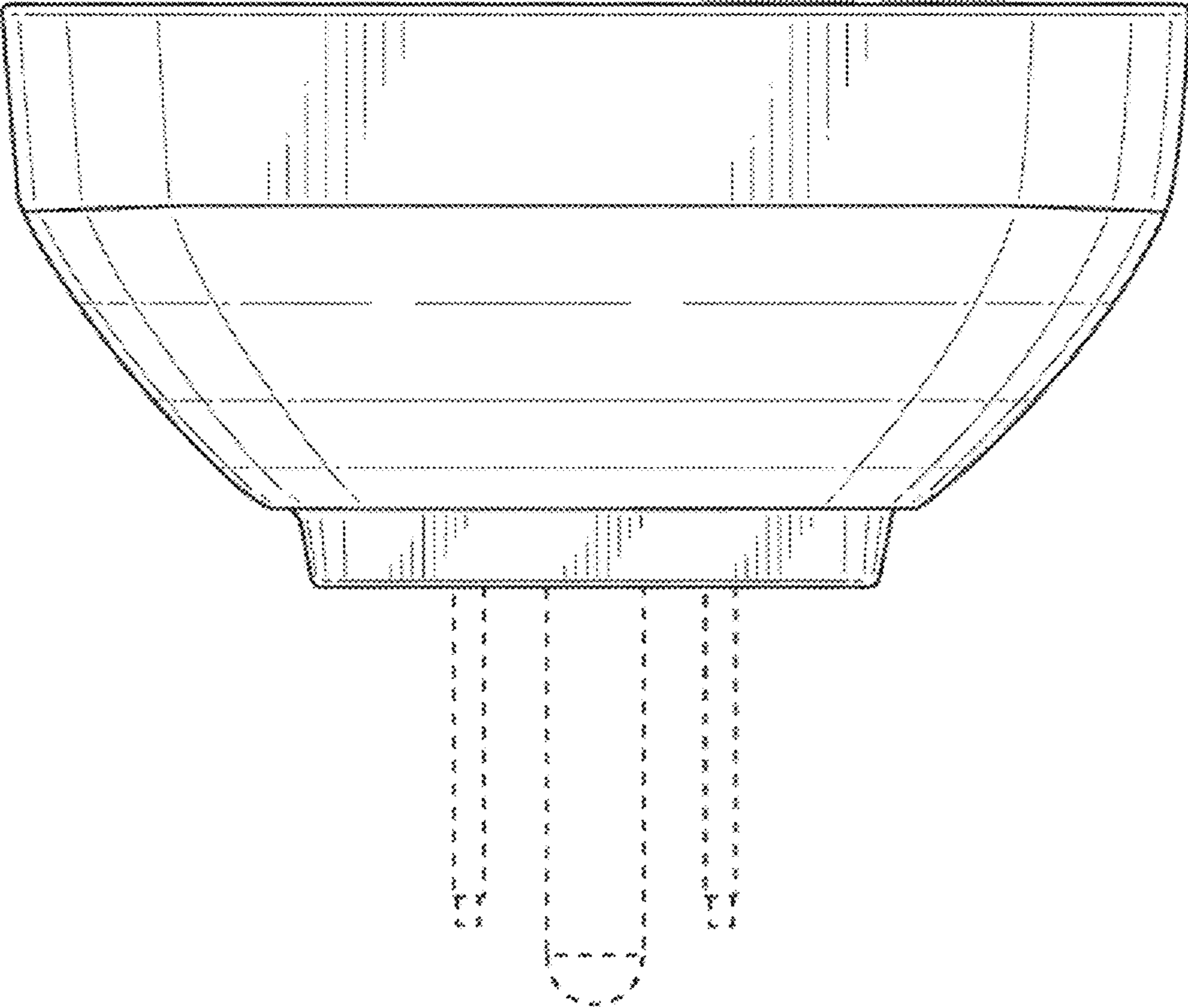


FIG. 13

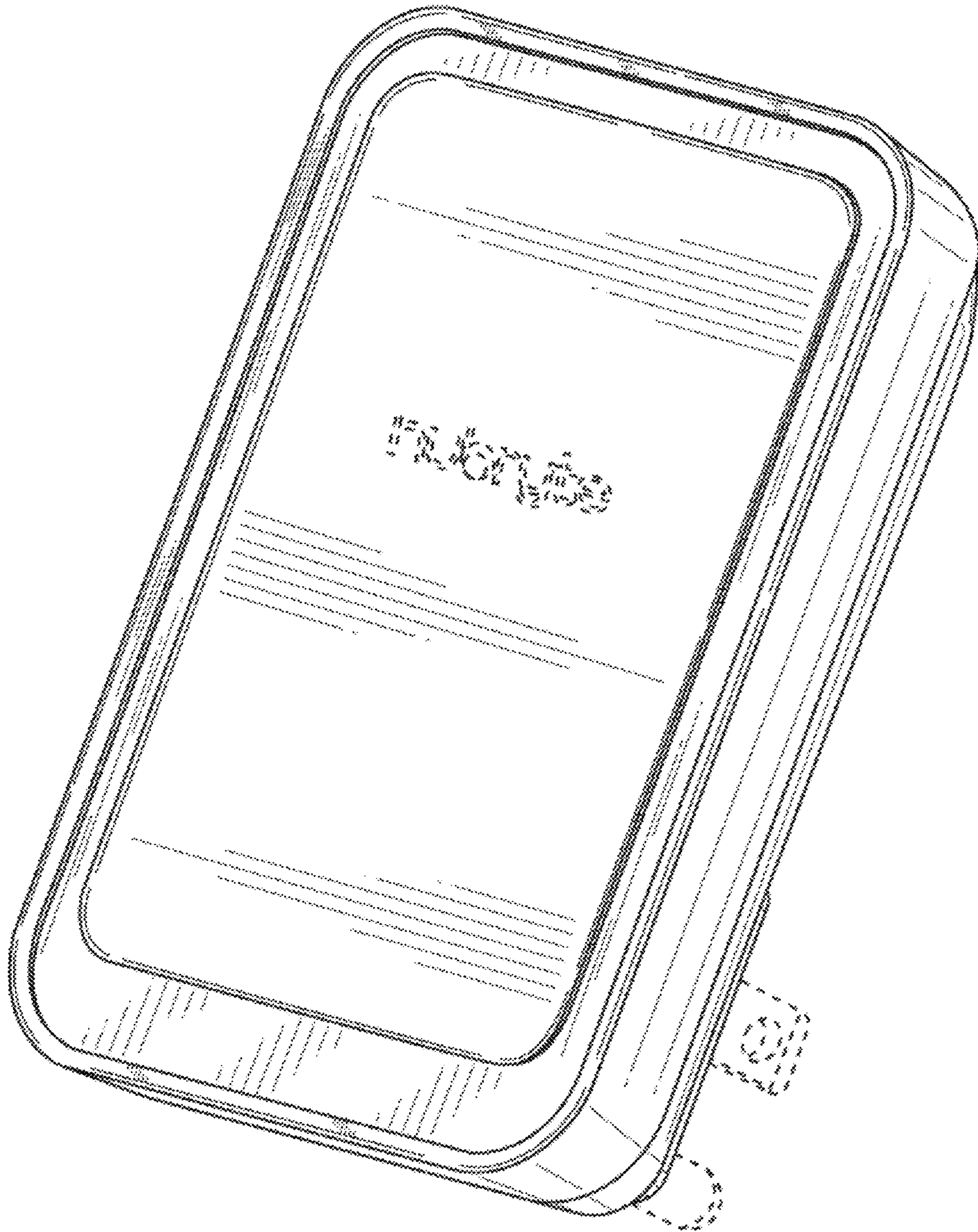


FIG. 14