



US00D822643S

(12) **United States Design Patent** (10) **Patent No.:** **US D822,643 S**
Chen (45) **Date of Patent:** **** Jul. 10, 2018**

(54) **WIRED CONTROLLER**
(71) Applicants: **MPOW TECHNOLOGY CO., LTD.**,
Hong Kong (HK); **Dongguan Lisong**
Electronics Co., LTD, Dongguan (CN)
(72) Inventor: **Daofeng Chen**, Dongguan (CN)
(73) Assignees: **MPOW TECHNOLOGY CO., LTD**,
Hong Kong (HK); **Dongguan Lisong**
Electronics Co., LTD, Dongguan (CN)
(**) Term: **15 Years**
(21) Appl. No.: **29/623,384**
(22) Filed: **Oct. 24, 2017**
(51) **LOC (11) Cl.** **14-03**
(52) **U.S. Cl.**
USPC **D14/218**
(58) **Field of Classification Search**
USPC D13/168; D14/155, 205, 206, 218, 223,
D14/240; D21/333
CPC H03J 1/0025; H03J 9/00; H03J 9/02; H03J
9/04; H03J 9/06; H01H 9/0235; H04B
1/202; G05B 11/01; G08C 17/00; G08C
17/02; G08C 19/28; G08C 23/04; H04M
1/6058; H04R 1/1041
See application file for complete search history.

(56) **References Cited**
U.S. PATENT DOCUMENTS
6,122,369 A * 9/2000 Hwang H04M 1/6058
379/420.03
D458,597 S * 6/2002 Davies D14/206
D473,217 S * 4/2003 Rivera D14/223
D496,031 S * 9/2004 Ma D10/104.1
D548,728 S * 8/2007 Yoshiyama D14/218
D555,146 S * 11/2007 Sandy D14/167
D561,703 S * 2/2008 Shimokawa D13/168
D572,230 S * 7/2008 Neu D14/155

D577,721 S * 9/2008 O'Neil D14/358
D605,170 S * 12/2009 Keinanen D14/205
D606,980 S * 12/2009 Bradford D14/218
D619,558 S * 7/2010 Seil D14/155
D622,685 S * 8/2010 Garra D14/137
D625,294 S * 10/2010 Wada D14/218
D651,589 S 1/2012 Fischer
D716,268 S * 10/2014 Yamamoto D14/218
D725,625 S 3/2015 Hsieh et al.
D726,831 S * 4/2015 Lee D13/168
D730,873 S * 6/2015 Petterson D14/218
D743,381 S * 11/2015 Pi D14/218
D747,293 S * 1/2016 Mistry D13/168
D753,091 S * 4/2016 Miyake D14/205
D758,353 S * 6/2016 Akana D14/218
D789,366 S * 6/2017 Jentz D14/218
D793,995 S * 8/2017 Nakagawa D14/218
2004/0224717 A1 * 11/2004 Hertzberg H04M 1/22
455/550.1

* cited by examiner

Primary Examiner — Selina Sikder
(74) *Attorney, Agent, or Firm* — Wayne & King LLC

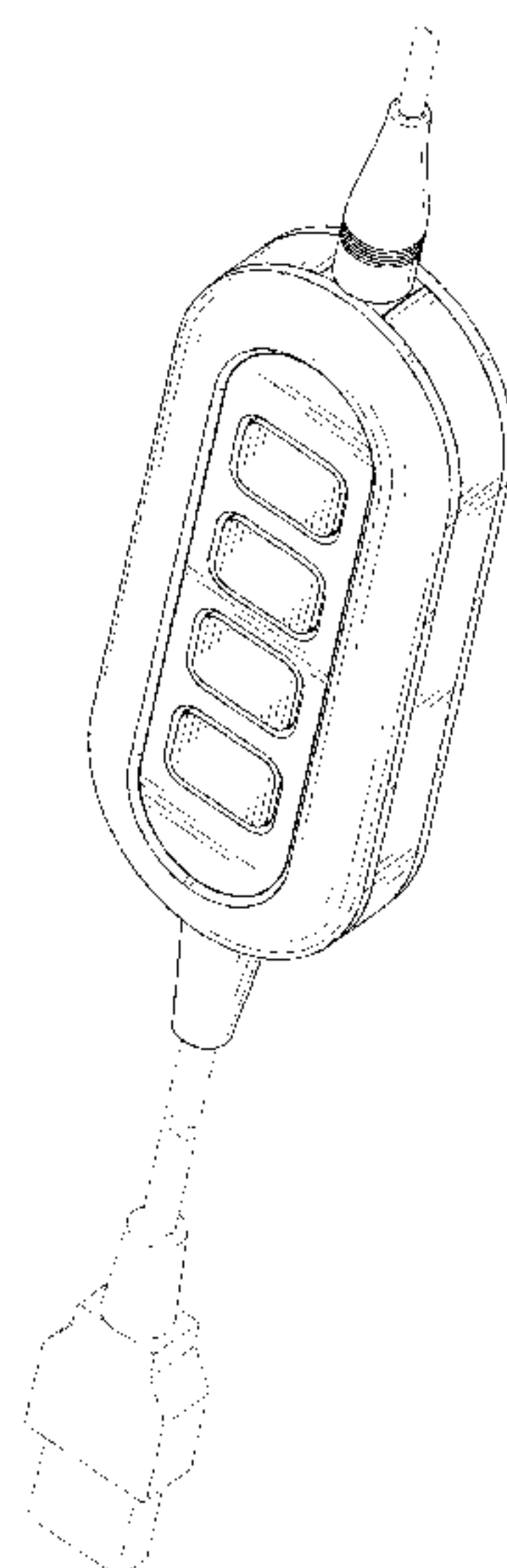
(57) **CLAIM**

The ornamental design for wired controller, as shown and described.

DESCRIPTION

FIG. 1 is perspective view showing my design;
FIG. 2 is another perspective view showing my design;
FIG. 3 is a front view showing my design;
FIG. 4 is a back view showing my design;
FIG. 5 is a left side view showing my design;
FIG. 6 is a right side view showing my design;
FIG. 7 is a top plan view showing my design;
FIG. 8 is a bottom plan view showing my design; and,
FIG. 9 is a use state view showing my design.
The portions of the article shown in broken lines form no part of the claimed design.

1 Claim, 9 Drawing Sheets



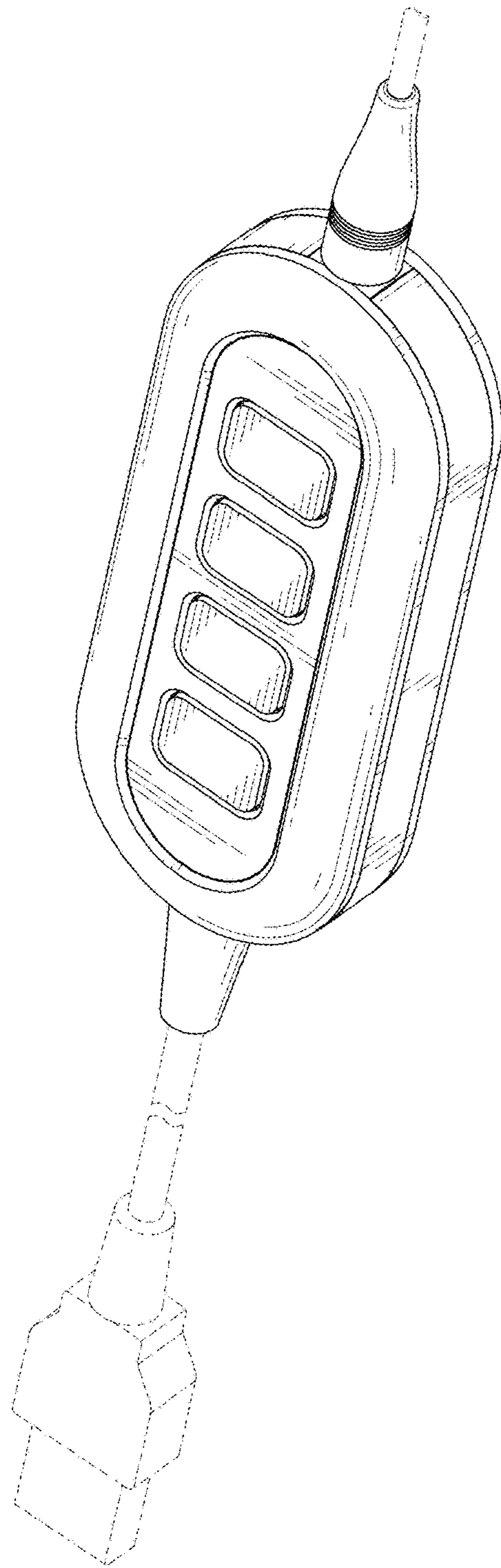


FIG. 1

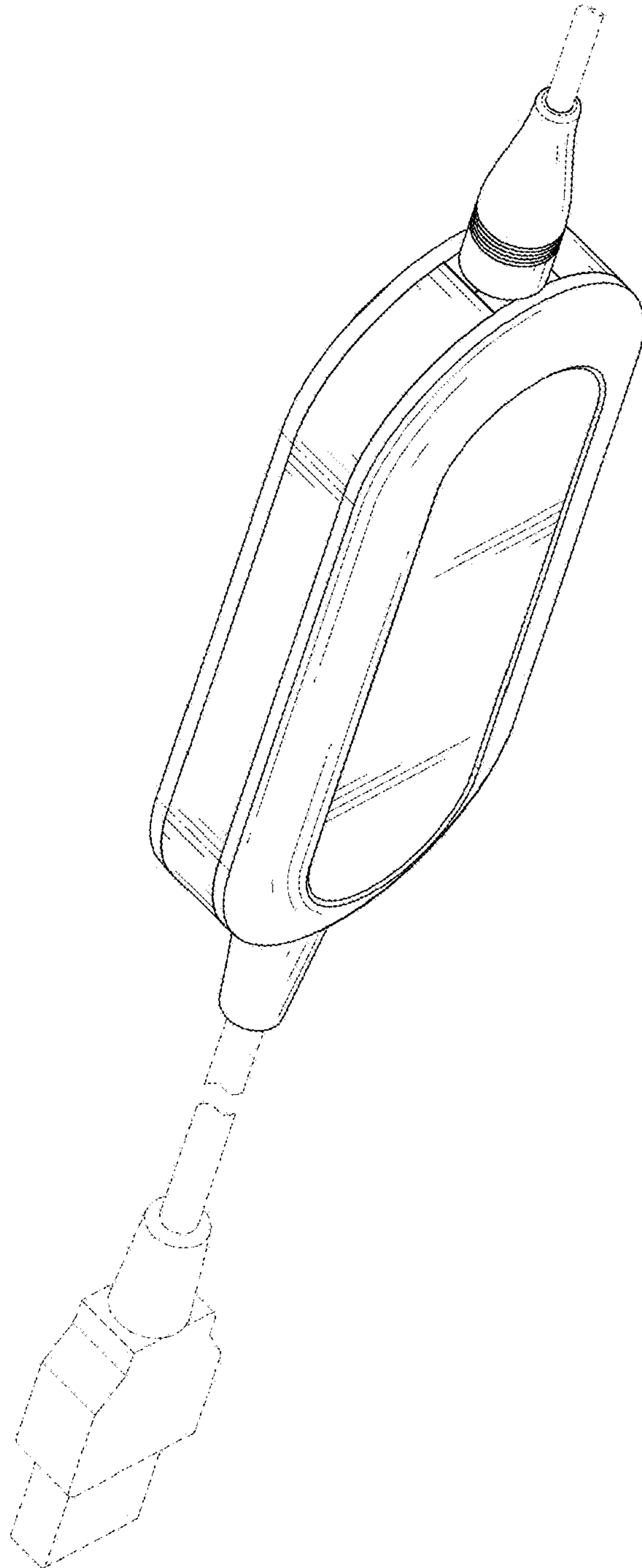


FIG. 2

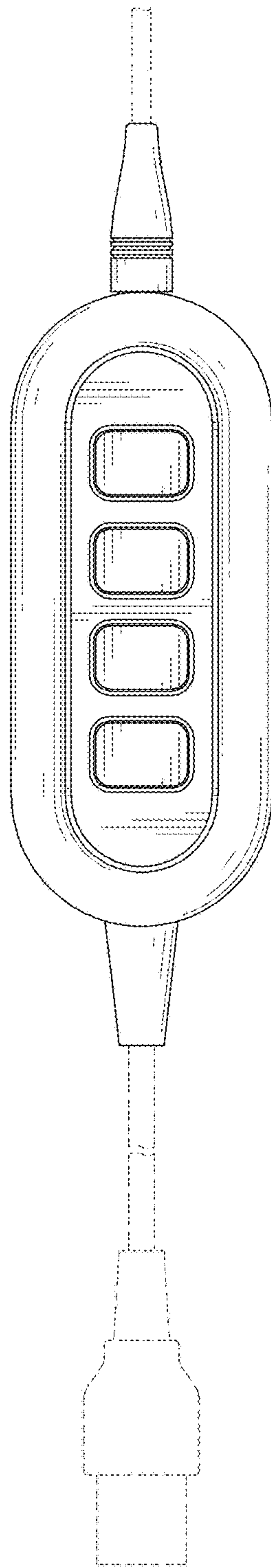


FIG. 3

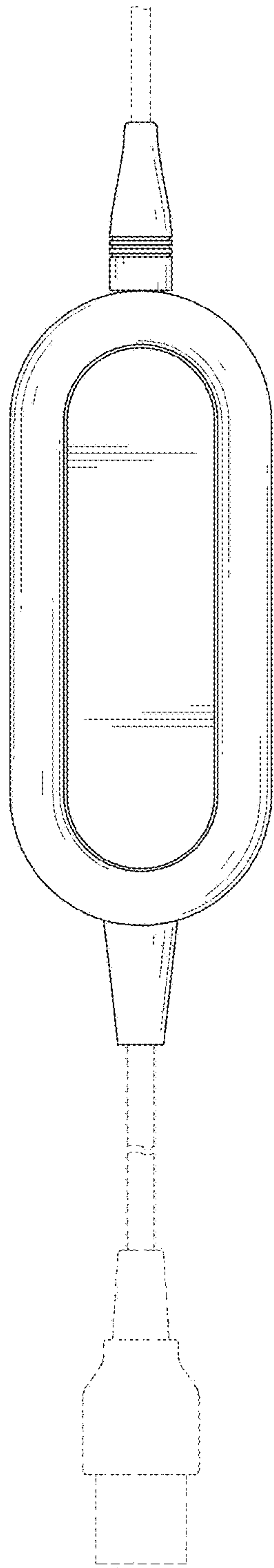


FIG. 4

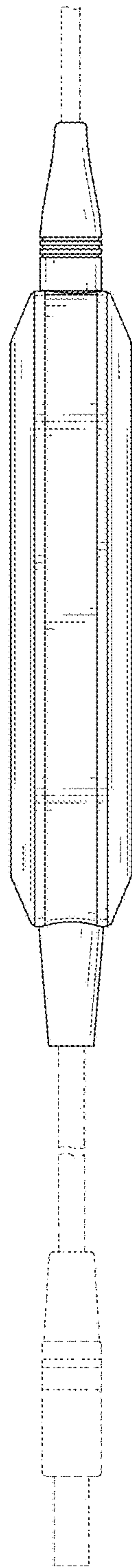


FIG. 5

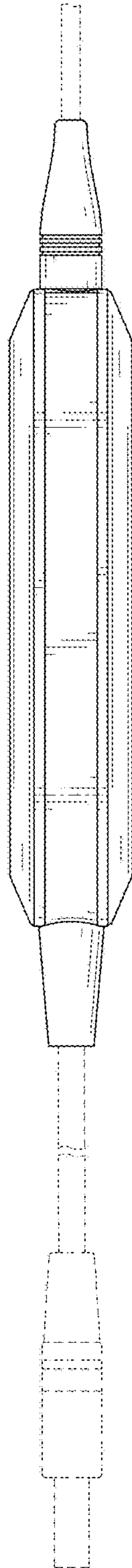


FIG. 6

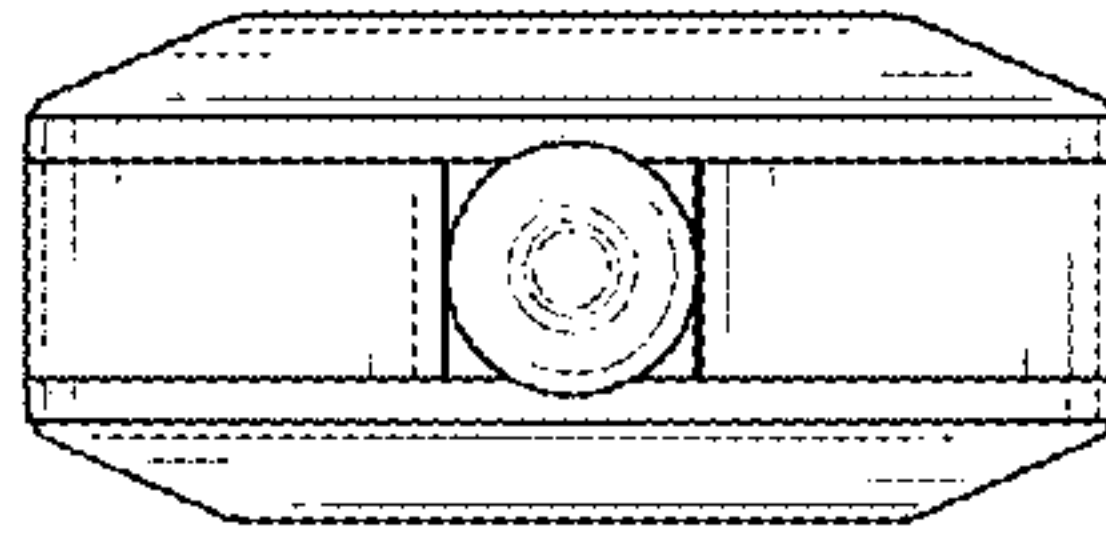


FIG. 7

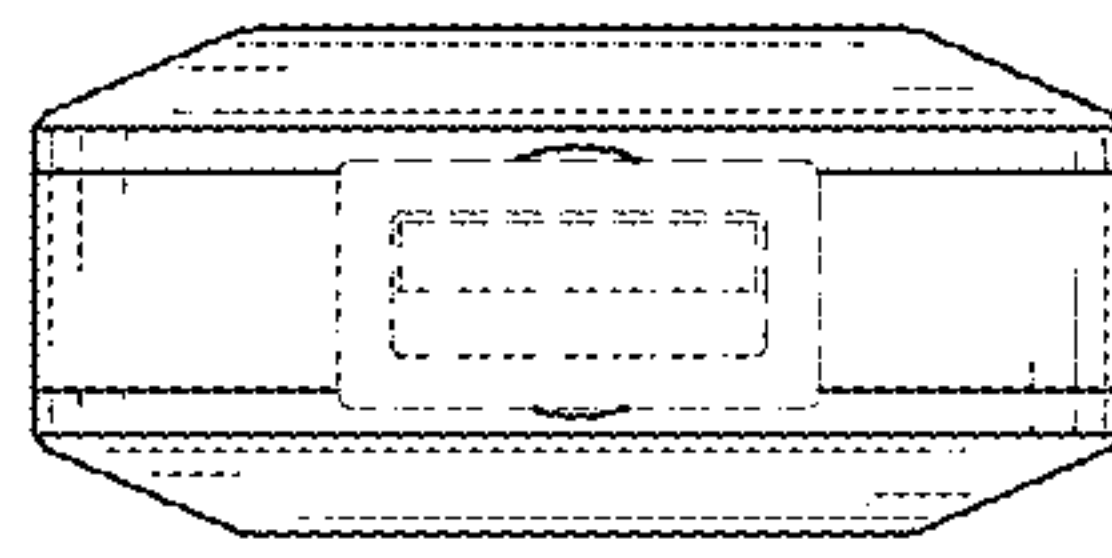


FIG. 8

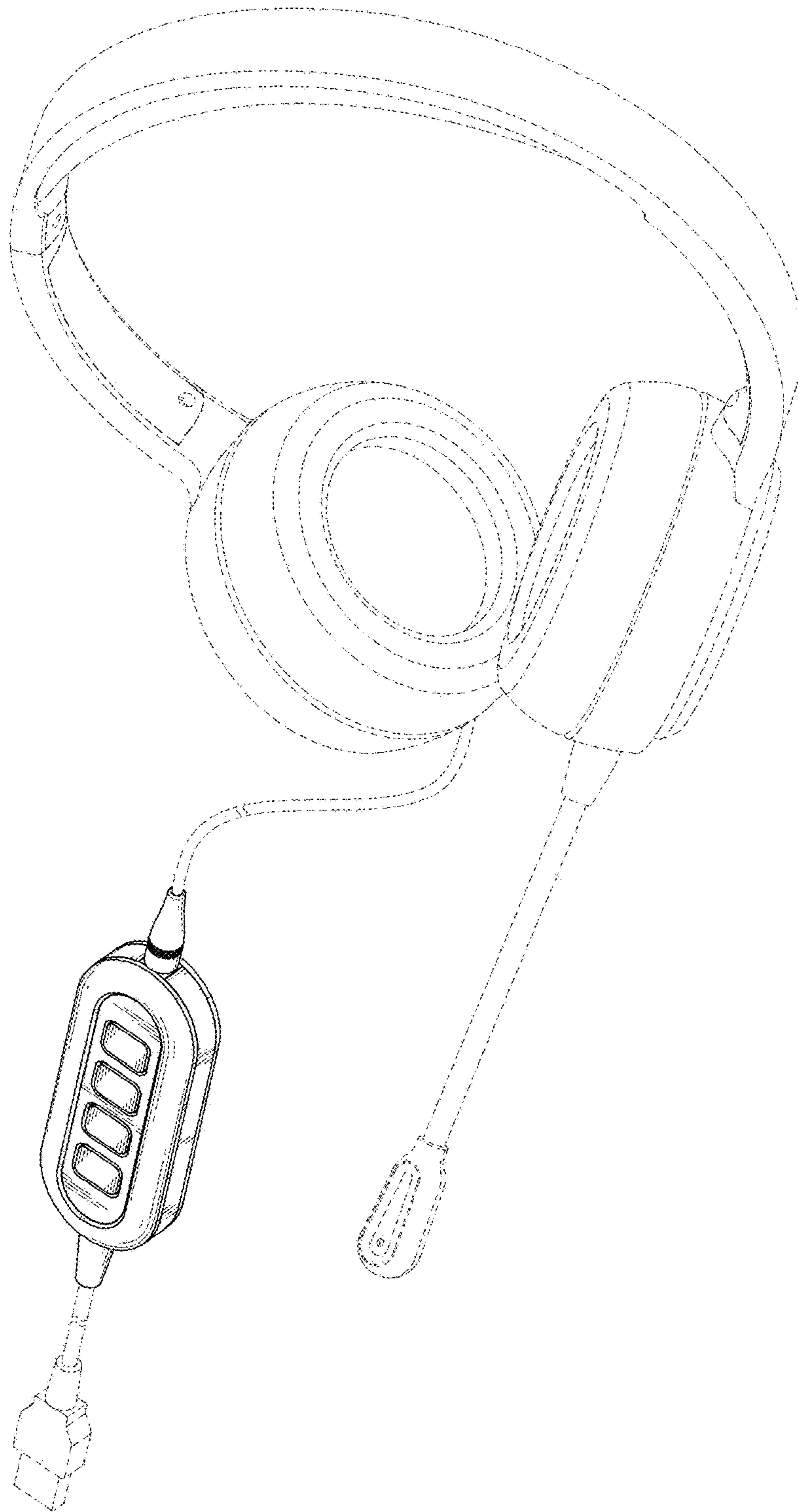


FIG. 9