



US00D822642S

(12) **United States Design Patent** (10) **Patent No.:** **US D822,642 S**  
**Knie** (45) **Date of Patent:** **\*\* Jul. 10, 2018**

(54) **WIRELESS REMOTE CONTROL**  
(71) Applicant: **Jungheinrich Aktiengesellschaft,**  
Hamburg (DE)  
(72) Inventor: **Andreas Knie,** Hamburg (DE)  
(73) Assignee: **Jungheinrich Aktiengesellschaft,**  
Hamburg (DE)  
(\*\*) Term: **15 Years**  
(21) Appl. No.: **29/566,020**  
(22) Filed: **May 26, 2016**

D435,580 S \* 12/2000 Grinkus ..... D14/218  
D458,250 S \* 6/2002 Kim ..... D14/218  
D458,920 S \* 6/2002 Kita ..... D14/218  
D464,037 S \* 10/2002 Waffensmith ..... D14/218  
D471,535 S \* 3/2003 Bey ..... D14/218  
D472,228 S \* 3/2003 Haines ..... D14/172  
D478,568 S \* 8/2003 Hussaini ..... D14/218  
D519,988 S \* 5/2006 Tanaka ..... D13/168  
D657,778 S \* 4/2012 Chiu ..... D14/218  
D658,635 S \* 5/2012 Hou ..... D14/218  
D665,383 S \* 8/2012 McManigal ..... D14/218  
D726,129 S \* 4/2015 Chin ..... D13/168  
D742,858 S \* 11/2015 Morisawa ..... D14/218  
D778,264 S \* 2/2017 Stapelbroek ..... D14/218  
D779,459 S \* 2/2017 Schlossberg ..... D14/218  
D788,717 S \* 6/2017 Michelin ..... D13/168

\* cited by examiner

(30) **Foreign Application Priority Data**  
Nov. 30, 2015 (EP) ..... 002883355  
(51) **LOC (11) Cl.** ..... **14-03**  
(52) **U.S. Cl.**  
USPC ..... **D14/218**  
(58) **Field of Classification Search**  
USPC ..... D14/218; D13/168  
CPC ..... H04N 7/17318  
See application file for complete search history.

*Primary Examiner* — John Windmuller  
*Assistant Examiner* — John R Yeh  
(74) *Attorney, Agent, or Firm* — Barclay Damon LLP

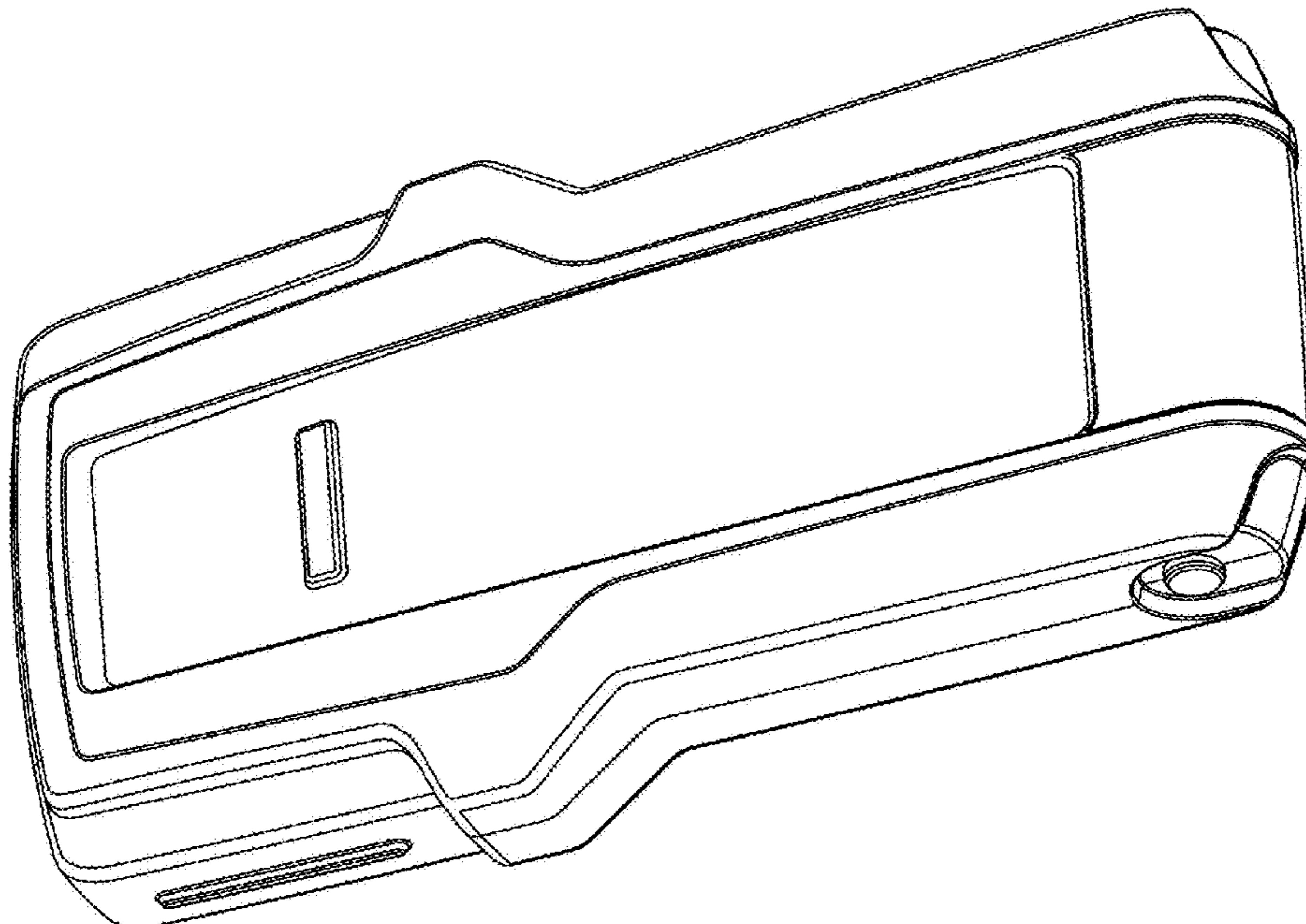
(56) **References Cited**  
U.S. PATENT DOCUMENTS  
D316,847 S \* 5/1991 Rowen ..... D13/168  
D364,872 S \* 12/1995 Schwartz ..... D14/218  
D376,114 S \* 12/1996 Seki ..... D10/104.1  
D378,093 S \* 2/1997 Rutter ..... D14/218  
D380,752 S \* 7/1997 Hanson ..... D13/168  
D413,328 S \* 8/1999 Kazama ..... D14/218  
D415,160 S \* 10/1999 Renk ..... D14/218  
D421,016 S \* 2/2000 Bowen ..... D14/218  
D432,524 S \* 10/2000 Yamagishi ..... D14/218

(57) **CLAIM**  
The ornamental design for a wireless remote control, as shown and described.

**DESCRIPTION**

FIG. 1 is a top right perspective view of a wireless remote control;  
FIG. 2 is a top rear perspective view thereof;  
FIG. 3 is a bottom plan view thereof;  
FIG. 4 is a left side elevational view thereof, the right side elevational view being a mirror image thereof;  
FIG. 5 is a front elevational view thereof;  
FIG. 6 is a back elevational view thereof; and,  
FIG. 7 is a top plan view thereof.

**1 Claim, 7 Drawing Sheets**



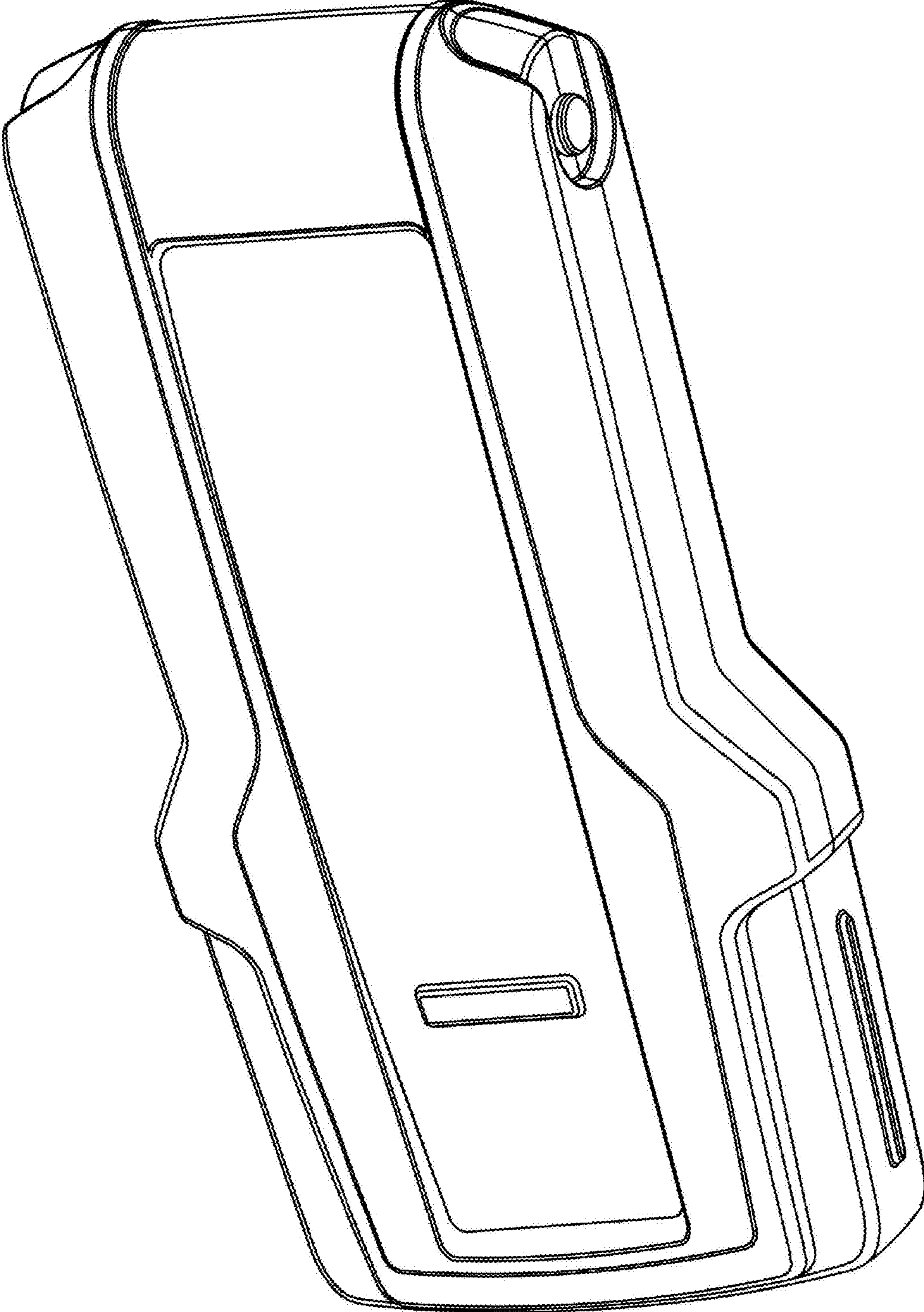


Fig. 1



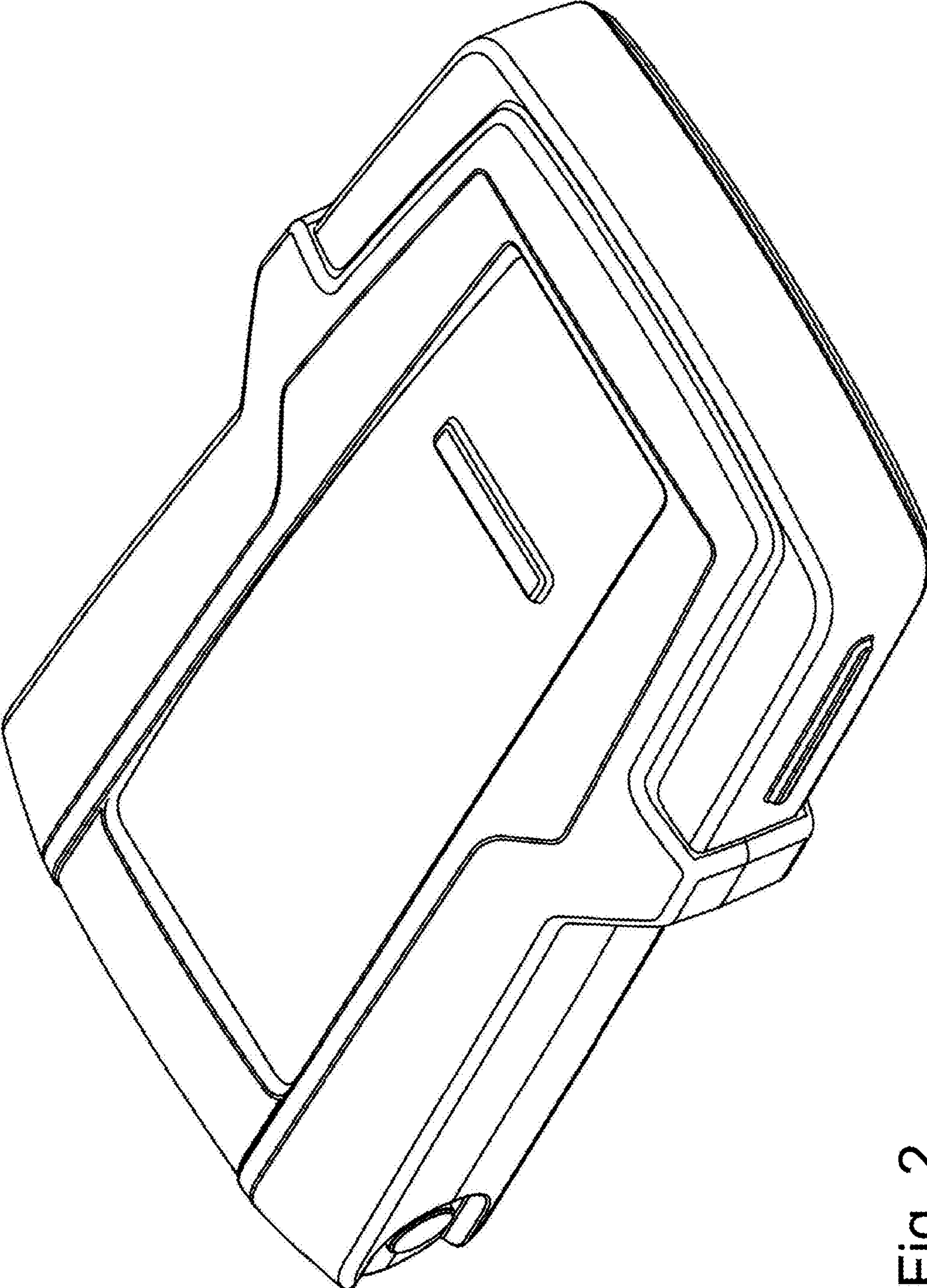


Fig. 2

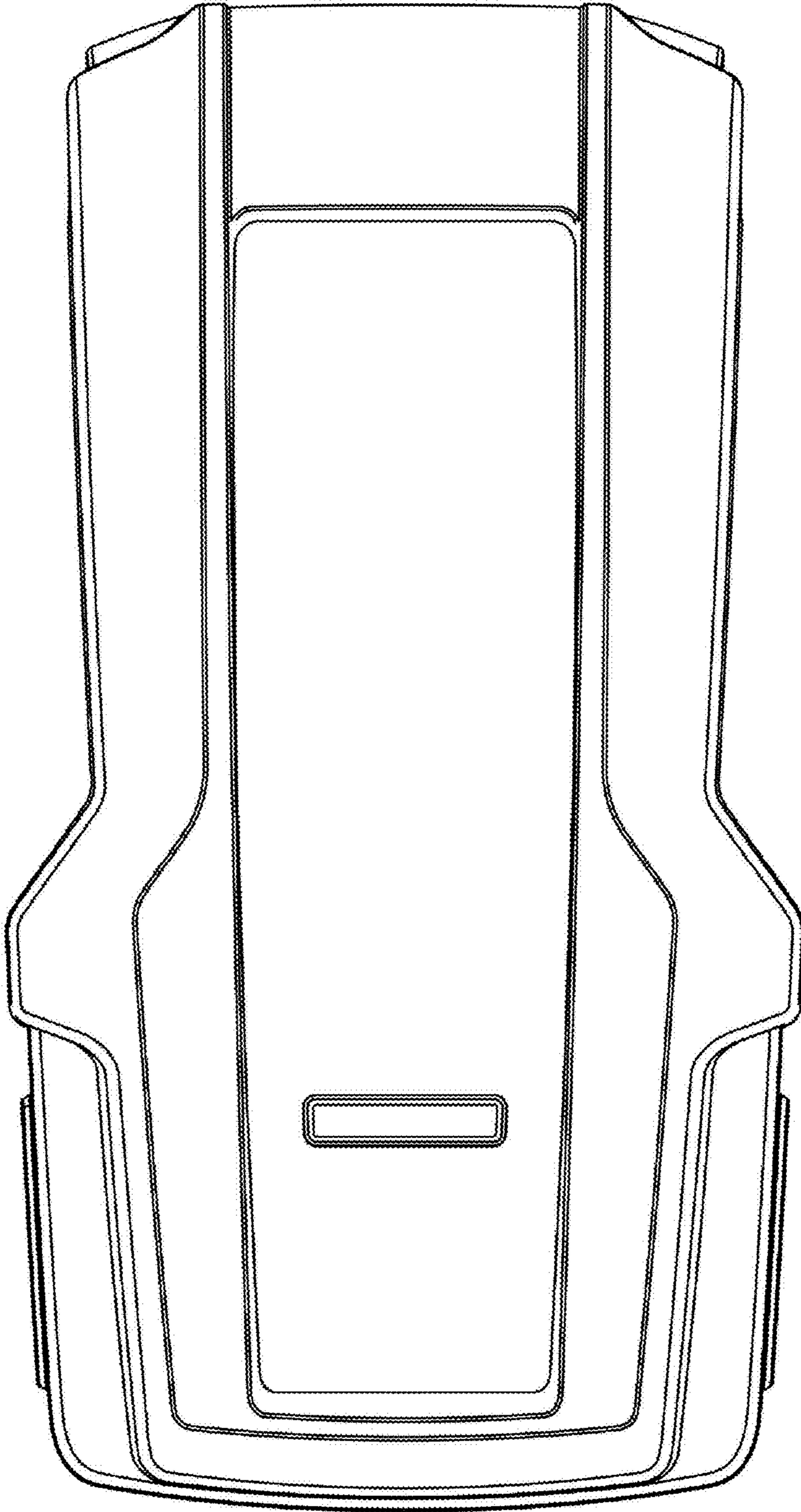


Fig. 3

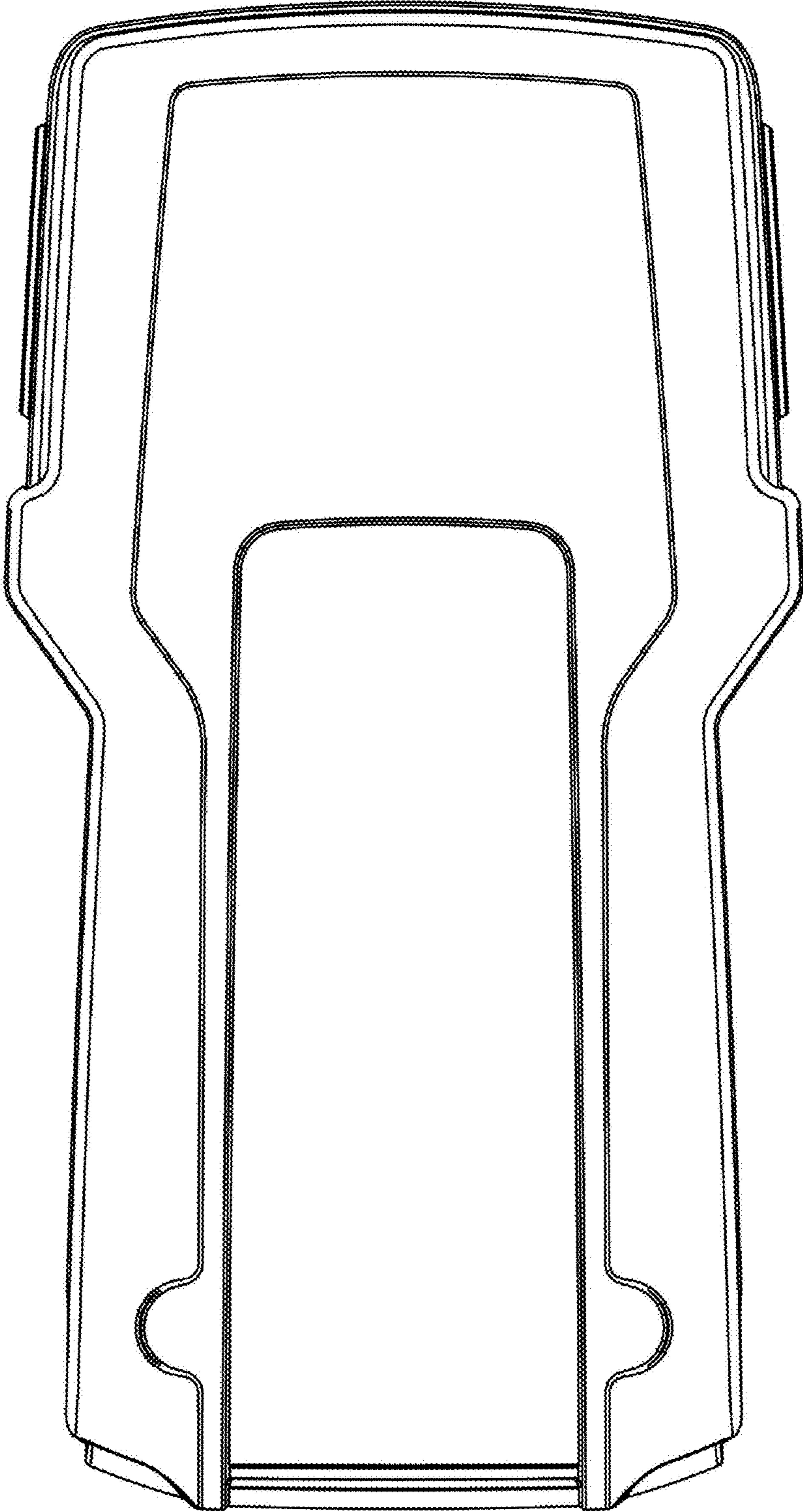


Fig. 4

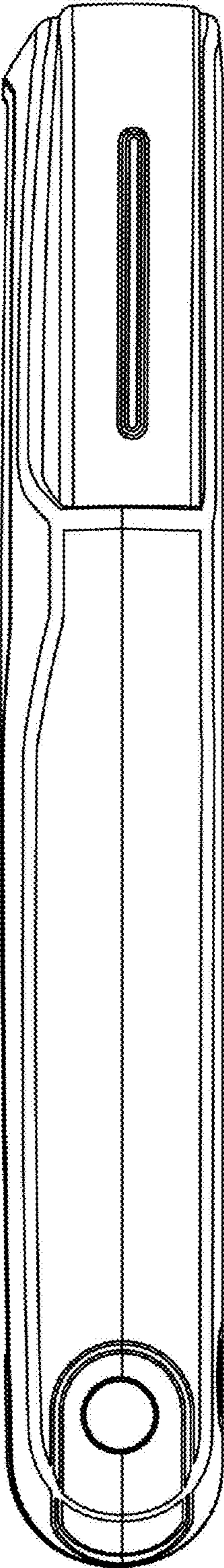


Fig. 5



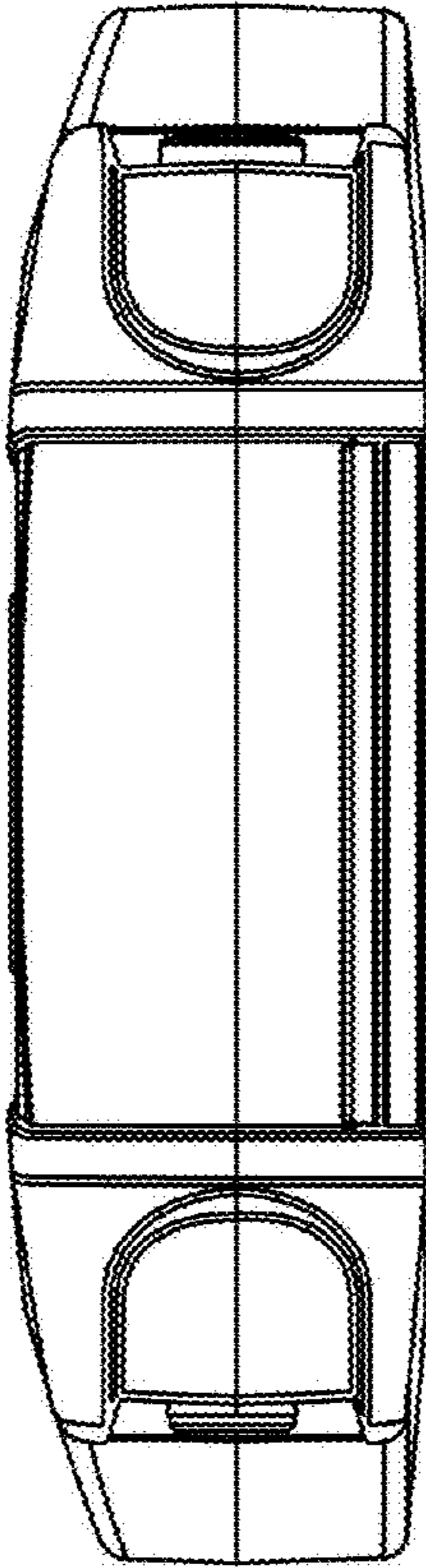


Fig. 6

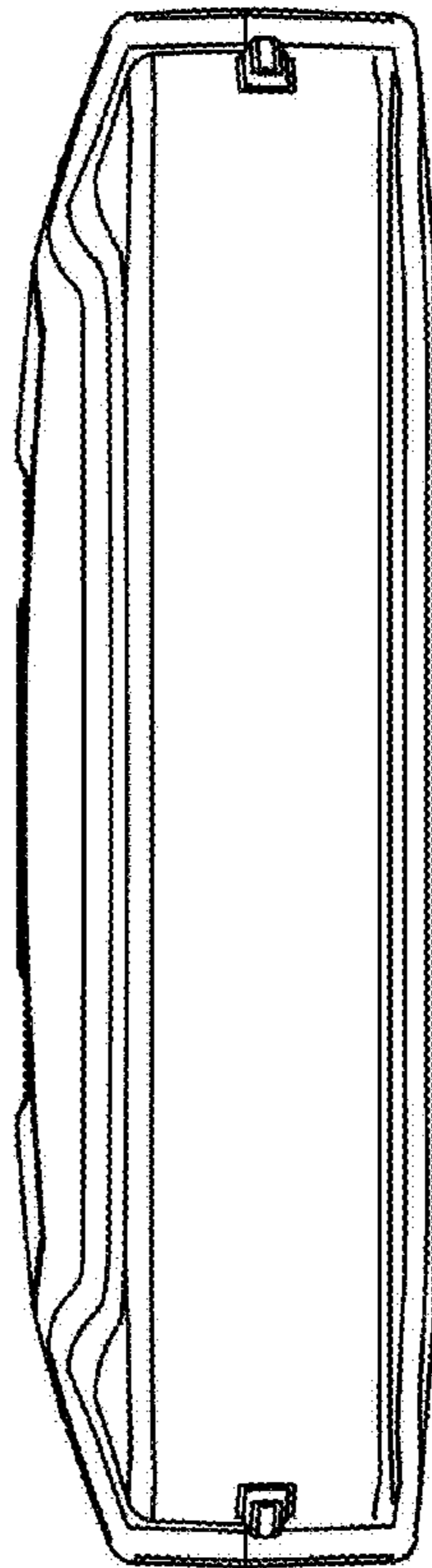


Fig. 7