



US00D822641S

(12) **United States Design Patent** (10) **Patent No.:** **US D822,641 S**
Belitz (45) **Date of Patent:** **** Jul. 10, 2018**

(54) **MICROPHONE STAND BASE**

(71) Applicant: **Swift Distribution, LLC**, Loveland, CO (US)

(72) Inventor: **Michael J. Belitz**, Cherry Hills Village, CO (US)

(**) Term: **15 Years**

(21) Appl. No.: **29/591,175**

(22) Filed: **Jan. 17, 2017**

(51) **LOC (11) Cl.** **14-03**

(52) **U.S. Cl.**
USPC **D14/217**

(58) **Field of Classification Search**
USPC D14/217, 206, 211, 224-229; D16/242, D16/244, 245
CPC H04R 2499/11; H04R 3/005; H04R 9/025; H04R 1/04; H04R 1/342; H04R 1/406; H04R 2201/003; H04R 2420/07; H04R 29/001; H04R 29/004; H04R 3/00; H04R 5/027; H04R 5/033; H04R 5/04; H04R 15/00; H04R 17/00; H04R 19/005; H04R 19/013; H04R 19/04; H04R 1/02; H04R 1/028; H04R 1/08; H04R 1/086; H04R 1/1008; H04R 1/1041; H04R 1/1075; H04R 1/1091; H04R 1/222; H04R 1/2815; H04R 1/2819; H04R 1/2823; H04R 1/283; H04R 1/2849; H04R 1/2876; H04R 2201/02; H04R 2201/107; H04R 2225/67; H04R 2227/009; H04R 2410/03; H04R 2420/03; H04R 2420/05; H04R 2430/01; H04R 2430/20

See application file for complete search history.

(56) **References Cited**

U.S. PATENT DOCUMENTS

6,789,772 B2 *	9/2004	Eason	F16M 11/16	248/166
D632,720 S *	2/2011	Barker	D16/244	
D643,230 S *	8/2011	Hepeng	D6/708.25	
D687,421 S *	8/2013	Slaton	D14/229	
D706,333 S *	6/2014	Chun	D16/244	
D720,384 S *	12/2014	Holmen	D16/244	
D741,397 S *	10/2015	Minn	D16/244	
D774,022 S *	12/2016	Huang	D14/209.1	
D778,975 S *	2/2017	Minn	D16/242	
D800,206 S *	10/2017	Moon	D16/244	
2008/0253601 A1 *	10/2008	Hilderman	H04R 1/026	381/363

* cited by examiner

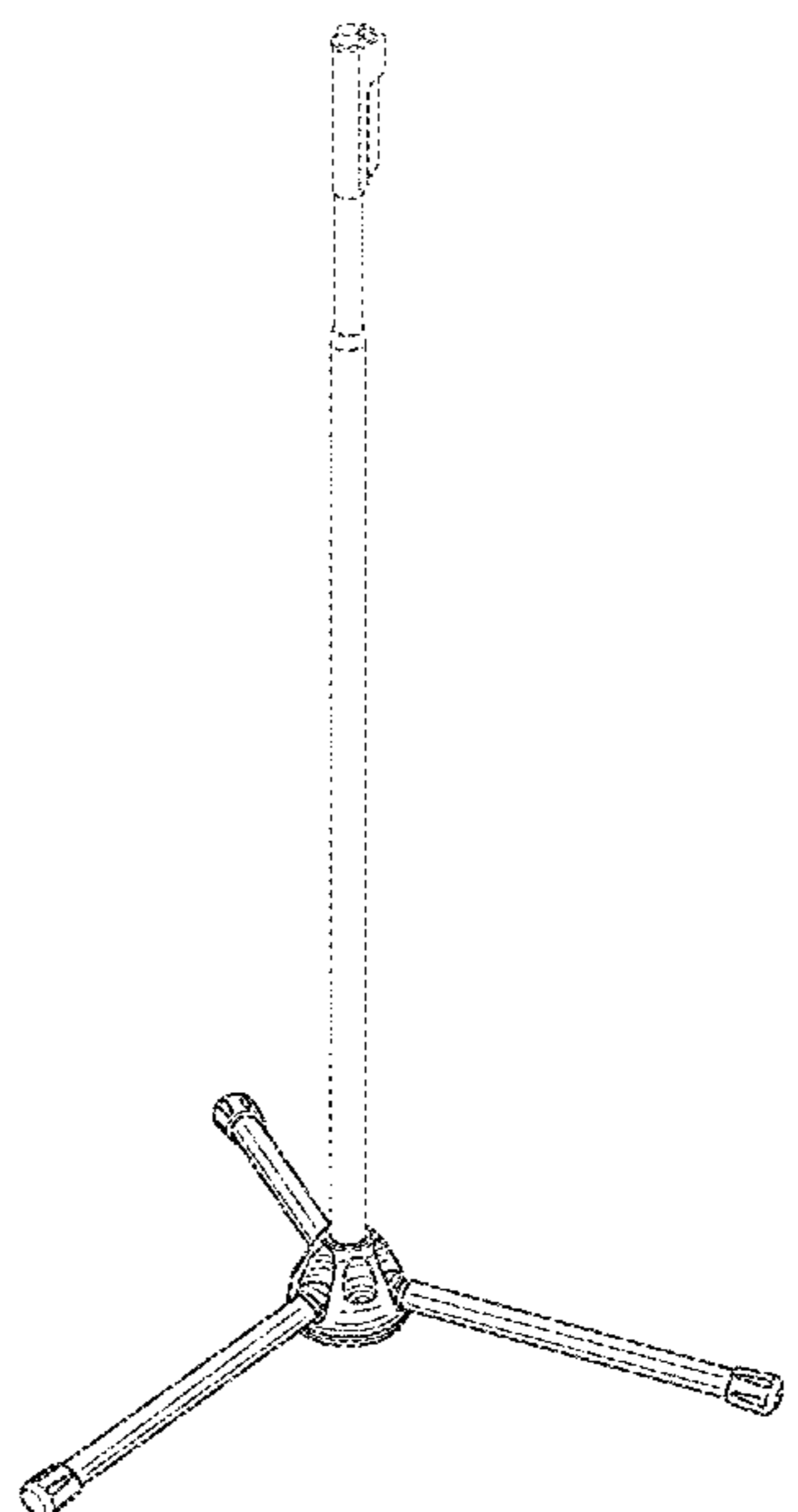
Primary Examiner — Ian Simmons
Assistant Examiner — Khawaja Anwar
(74) *Attorney, Agent, or Firm* — Talus Law Group LLC

(57) **CLAIM**
The ornamental design for a microphone stand base, as shown and described.

DESCRIPTION

FIG. 1 is a perspective view of microphone stand base showing the new design;
FIG. 2 is a front elevation view thereof;
FIG. 3 is a rear elevation view thereof;
FIG. 4 is a right elevation view thereof;
FIG. 5 is a left elevation view thereof;
FIG. 6 is a top plan view thereof; and,
FIG. 7 is a bottom plan view thereof.
The broken line showing is for the purpose of illustrating environment and forms no part of the claimed design.

1 Claim, 7 Drawing Sheets



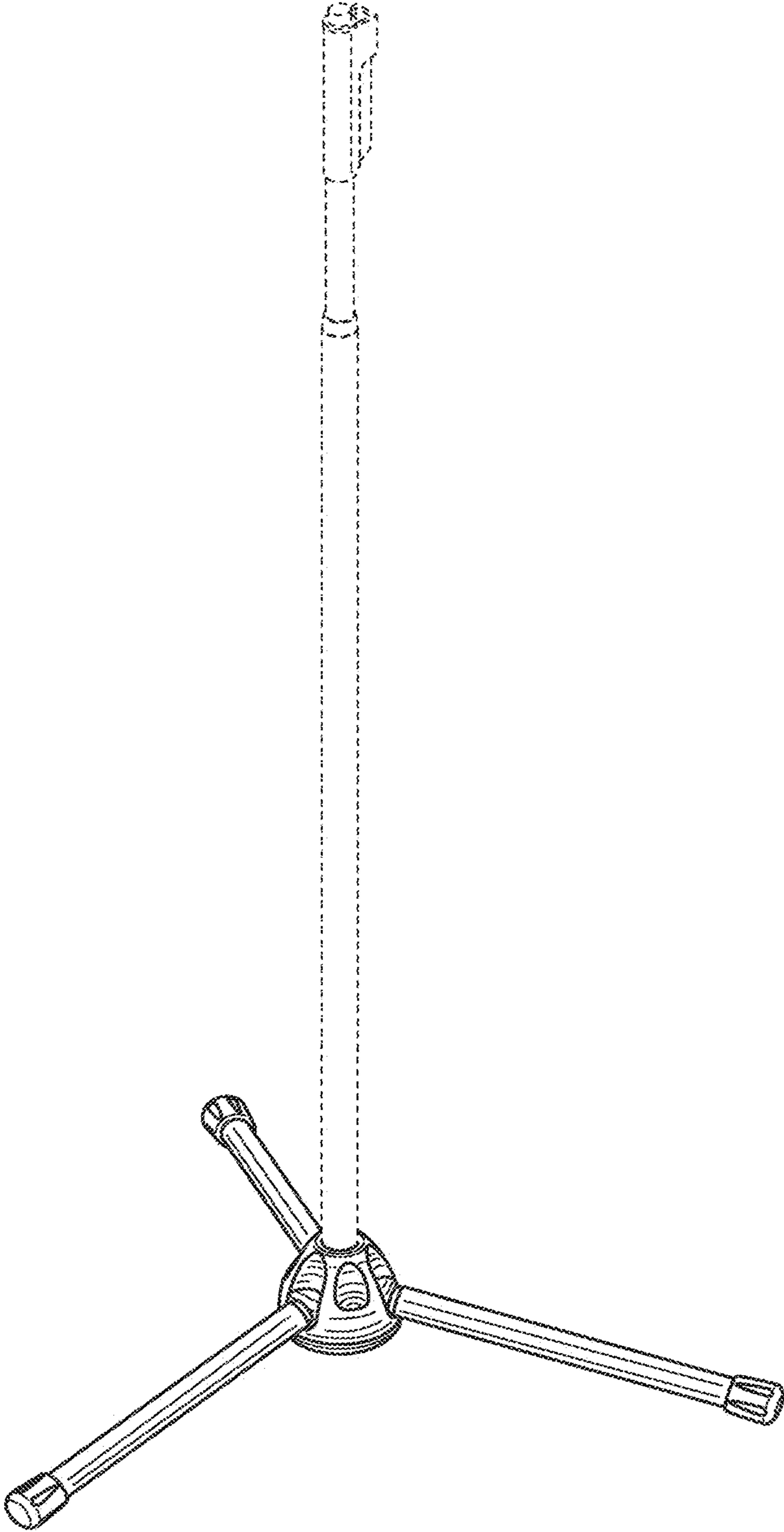


FIG. 1

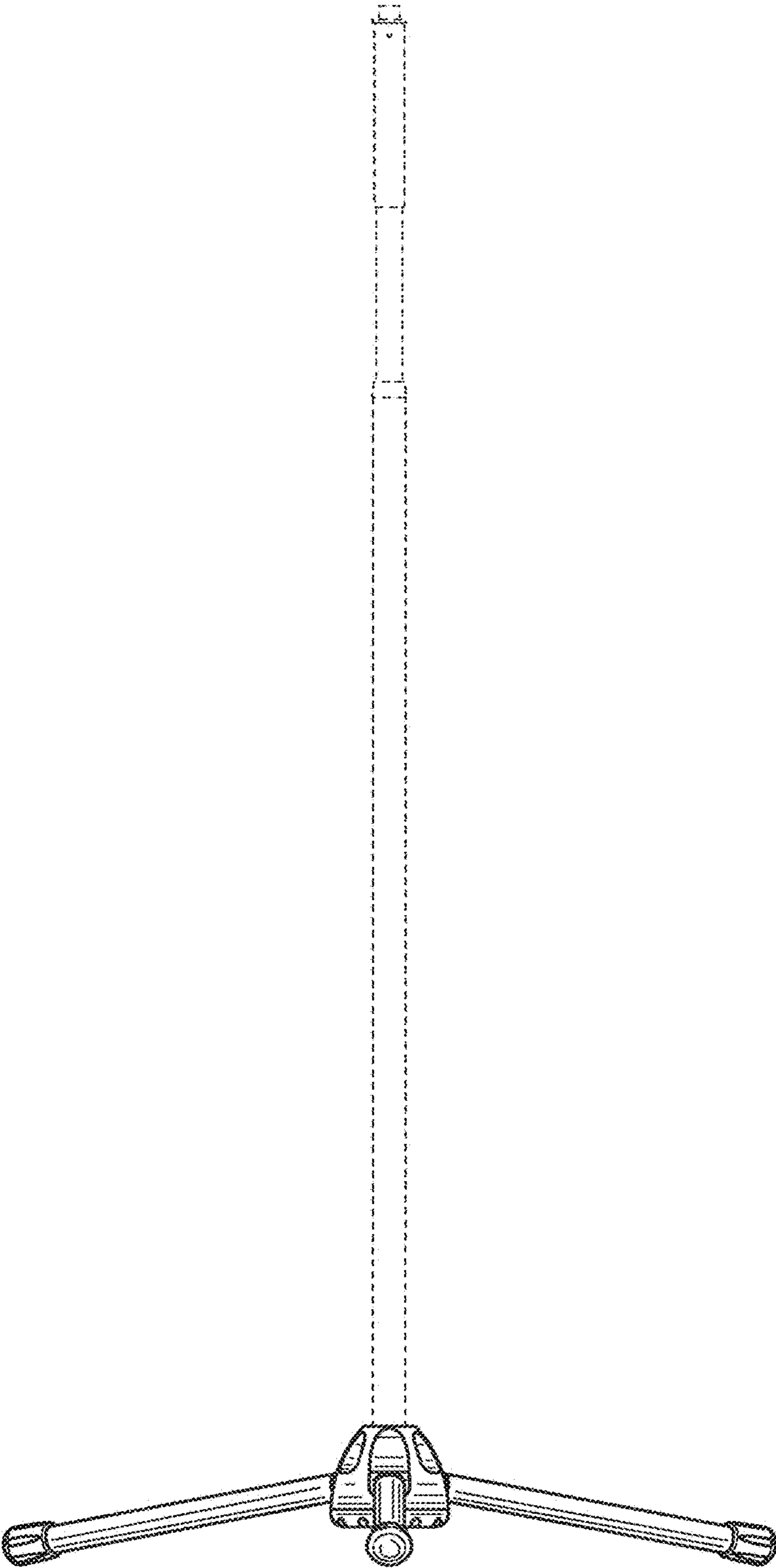


FIG.2

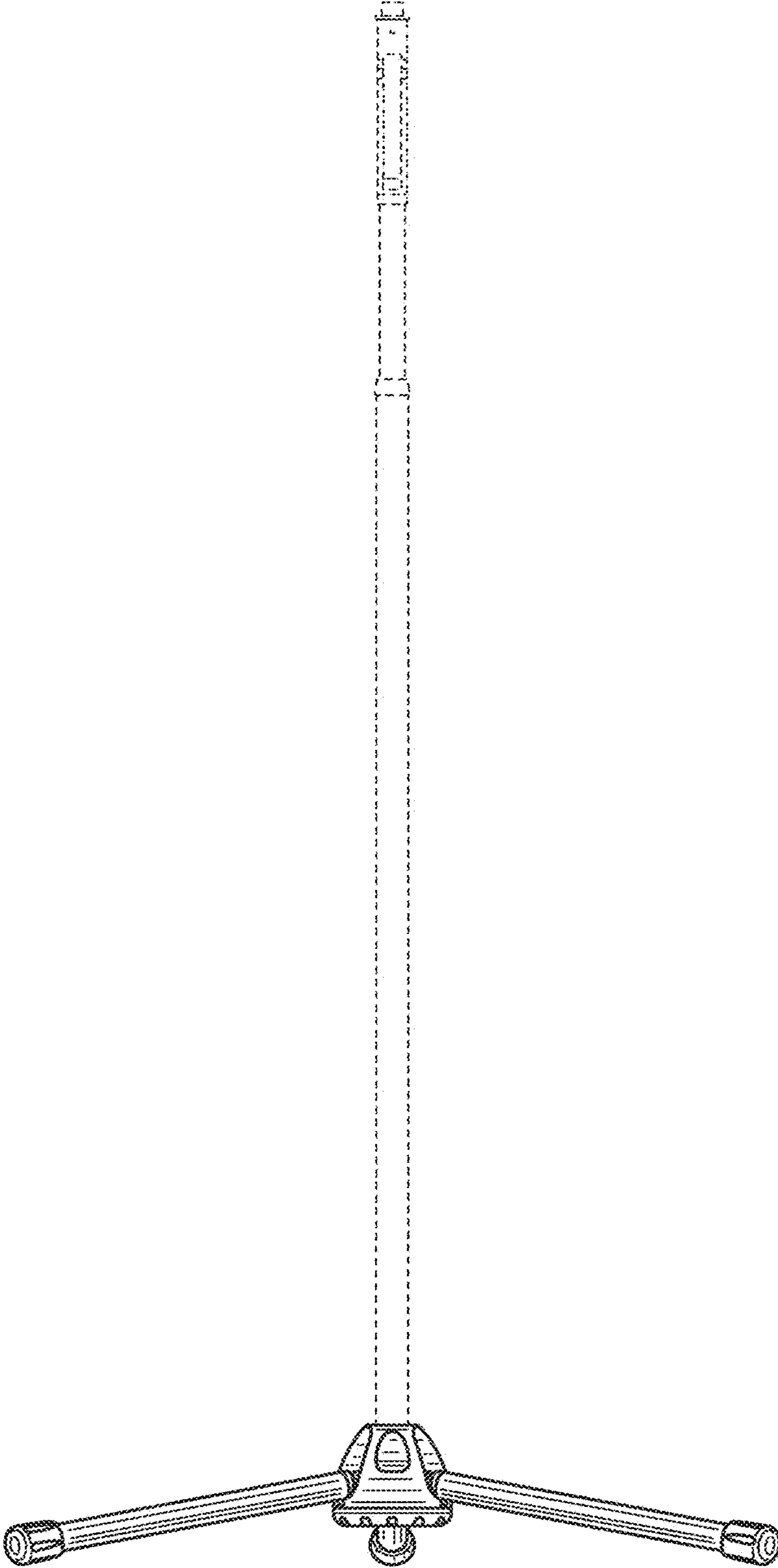


FIG. 3

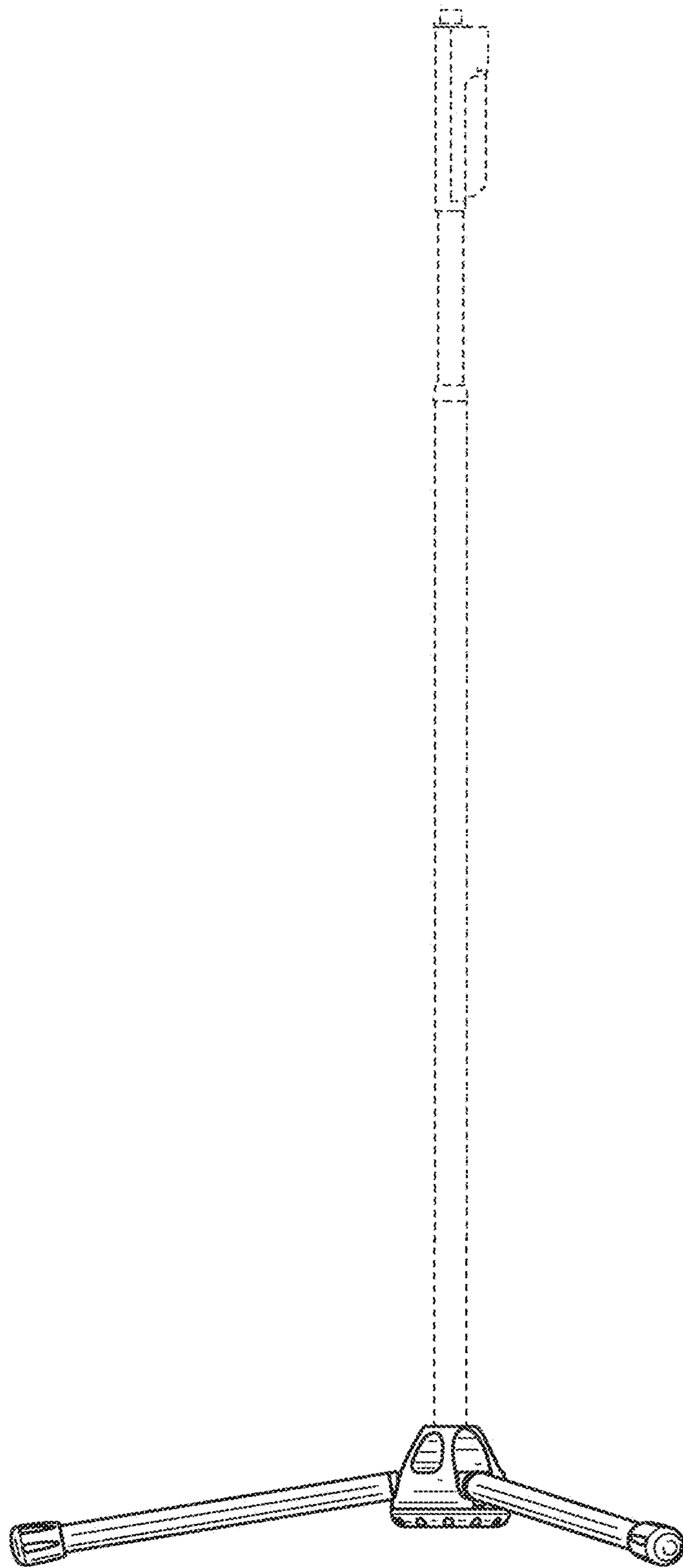


FIG.4

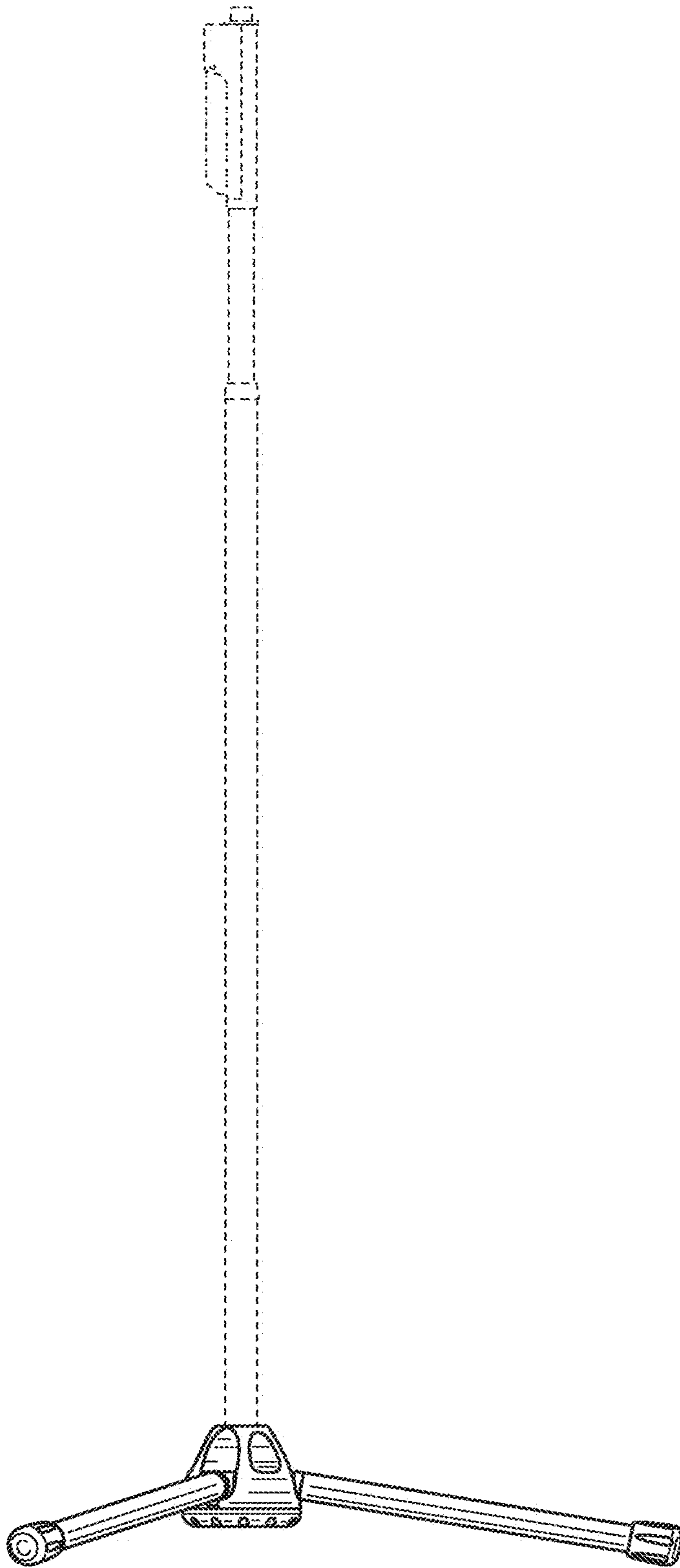


FIG. 5

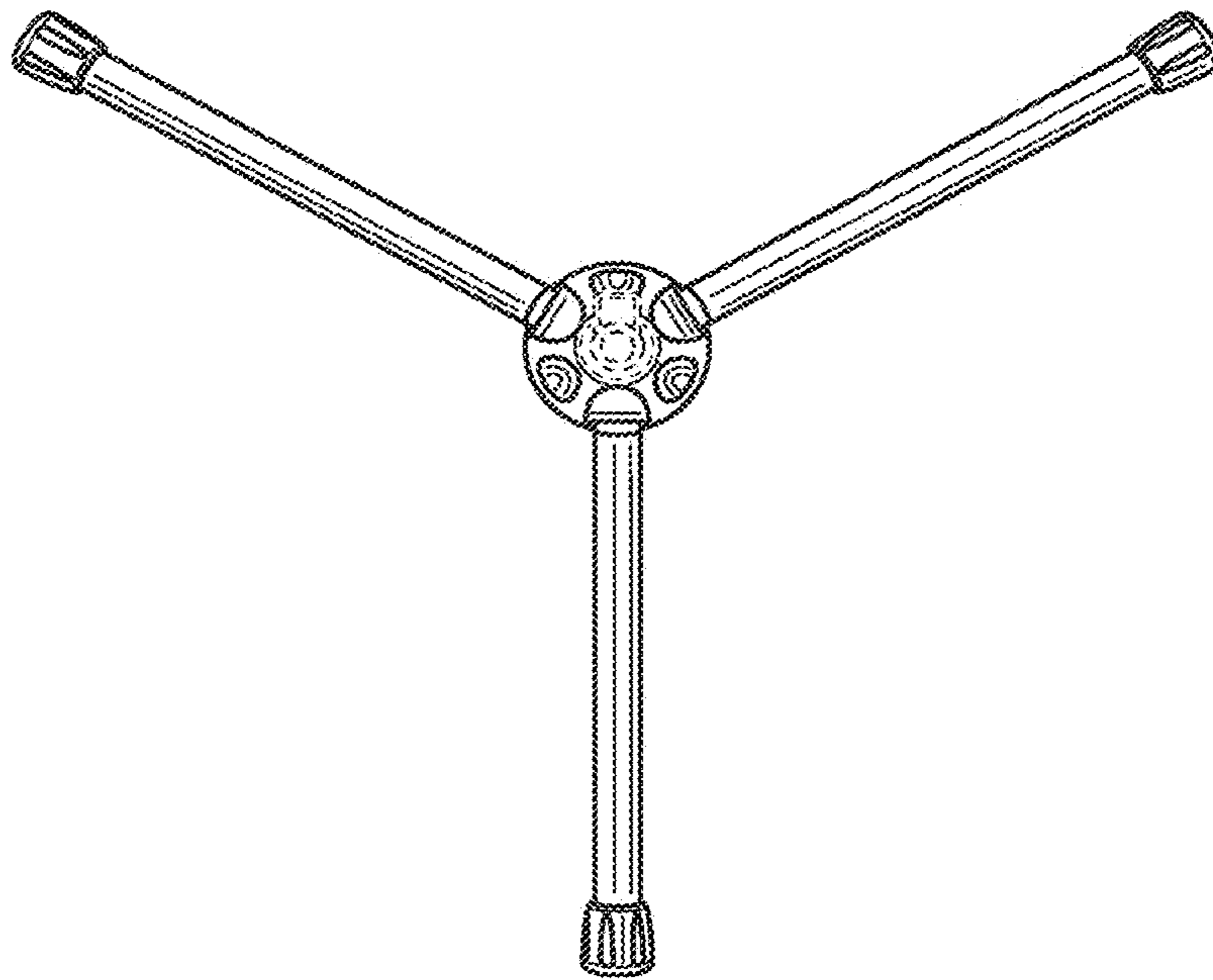


FIG.6

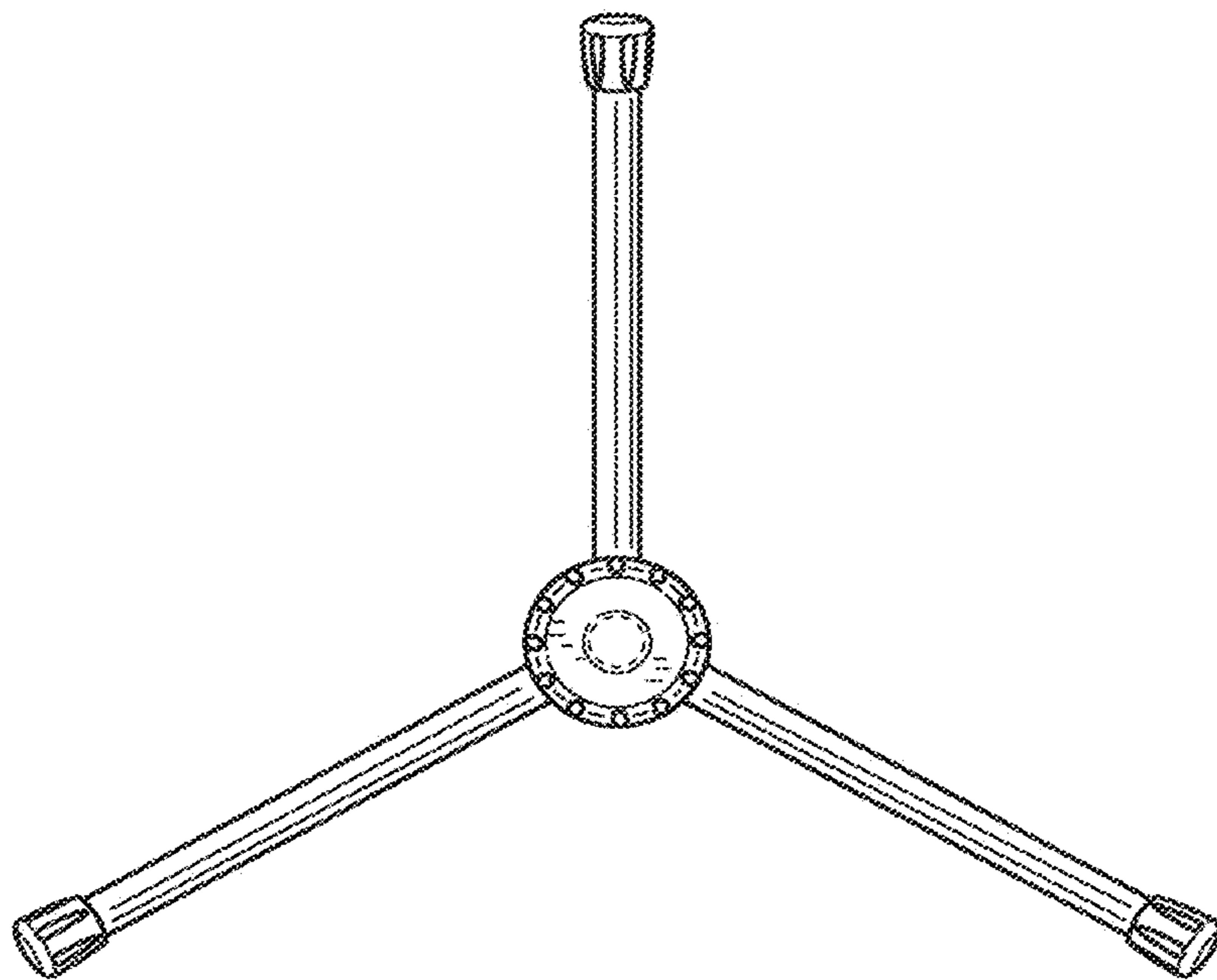


FIG.7