



US00D822637S

(12) **United States Design Patent**
Glezerman

(10) **Patent No.:** **US D822,637 S**
(45) **Date of Patent:** **** Jul. 10, 2018**

(54) **COMMUNICATION DEVICE**
(71) Applicant: **CARDO SYSTEMS, Inc.**, Pittsburgh, PA (US)
(72) Inventor: **Abraham Glezerman**, Tel Aviv (IL)
(73) Assignee: **Cardo Systems, Inc.**, Pittsburgh, PA (US)
(**) Term: **15 Years**
(21) Appl. No.: **29/580,088**
(22) Filed: **Oct. 5, 2016**
(51) **LOC (11) Cl.** **14-01**
(52) **U.S. Cl.**
USPC **D14/206**
(58) **Field of Classification Search**
USPC D14/205, 223, 206, 188, 192, 137, 138, D14/168, 191, 431, 217; D13/108; 181/129, 130, 135, 137; 379/430, 431; 381/380, 381, 375, 376, 382; 455/90.3, 455/575.1, 550.1, 351; D29/112; 2/209, 2/421, 422
CPC H04R 25/00; H04R 1/10; H04R 5/033; H04R 5/0335; H05K 5/03; A42B 3/04; A42B 3/08
See application file for complete search history.

3,588,384 A * 6/1971 Negley H04M 1/05 381/327
3,889,190 A * 6/1975 Palmer A42B 3/30 2/422
4,039,765 A * 8/1977 Tichy H04M 1/05 379/430
4,471,174 A * 9/1984 Nava A42B 3/30 2/422

(Continued)

Primary Examiner — Paula Allen Greene
(74) *Attorney, Agent, or Firm* — Andrew W. Chu; Craft Chu PLLC

(57) **CLAIM**

The ornamental design for a communication device, as shown and described.

DESCRIPTION

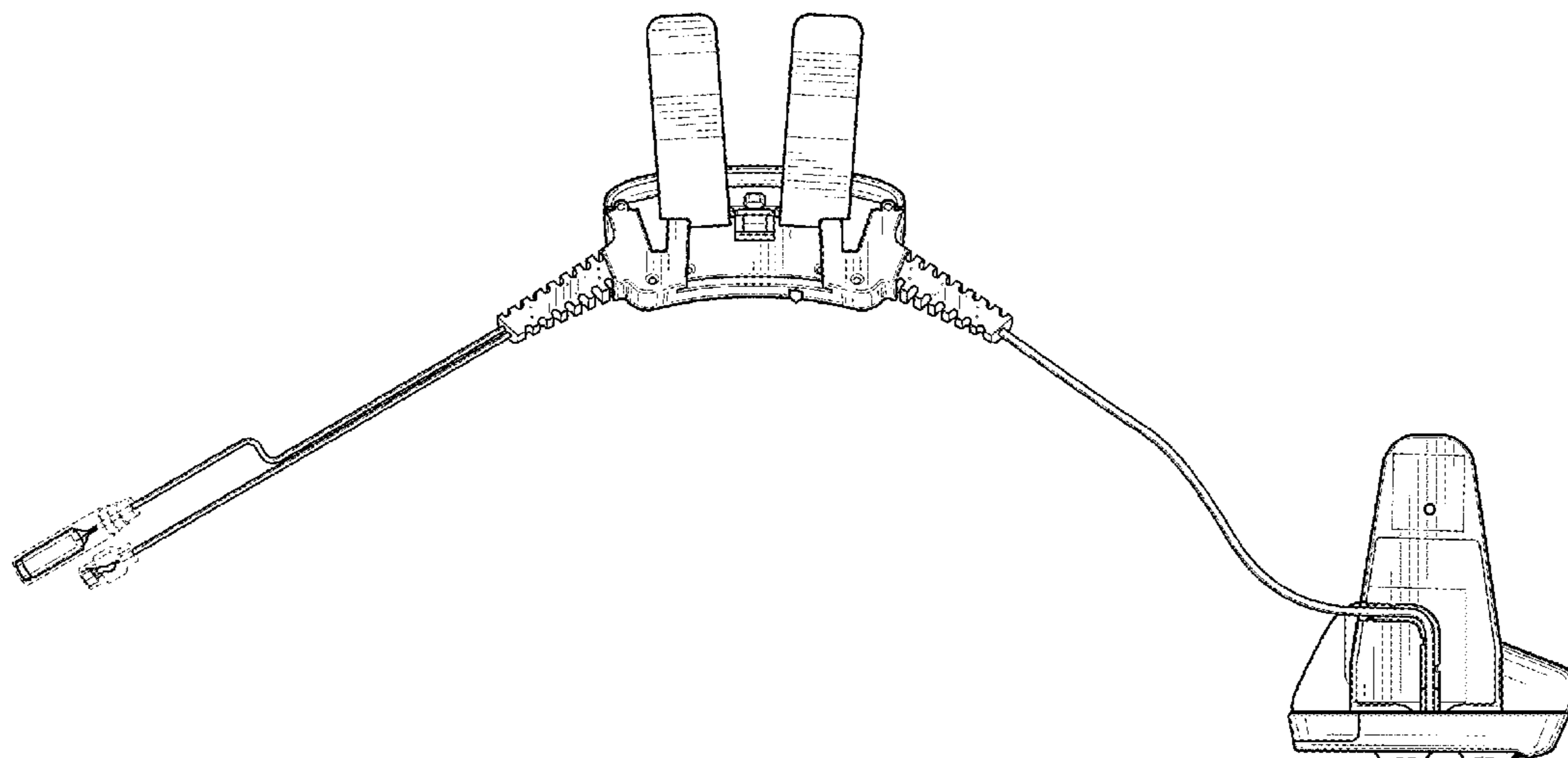
FIG. 1 is an upper perspective view of the communication device showing my design in an assembled configuration with a back unit connected to a side unit;
FIG. 2 is a top plan view of the back unit thereof;
FIG. 3 is a bottom plan view of the back unit thereof;
FIG. 4 is a side perspective view of the back unit thereof;
FIG. 5 is an opposite side perspective view of the back unit thereof;
FIG. 6 is an end view of the back unit thereof;
FIG. 7 is an opposite end view of the back unit thereof;
FIG. 8 is a side elevation view of the back unit thereof;
FIG. 9 is a top plan view of the side unit thereof;
FIG. 10 is a bottom plan view of the side unit thereof;
FIG. 11 is a side elevation view of the side unit thereof;
FIG. 12 is an opposite side elevation view of the side unit thereof;
FIG. 13 is an end view of the side unit thereof;
FIG. 14 is an opposite end view of the side unit thereof; and,
FIG. 15 is a side perspective view of the side unit thereof.
The broken lines depict environment that forms no part of the claimed design.

(56) **References Cited**

U.S. PATENT DOCUMENTS

1,085,916 A * 2/1914 Hutchinson H04M 9/00 379/174
3,249,873 A * 5/1966 Whittemore, Jr. A42B 3/30 181/137
3,258,534 A * 6/1966 Goldsworthy A42B 3/30 2/422
3,586,977 A * 6/1971 Lustig A42B 3/30 2/410

1 Claim, 4 Drawing Sheets



(56)

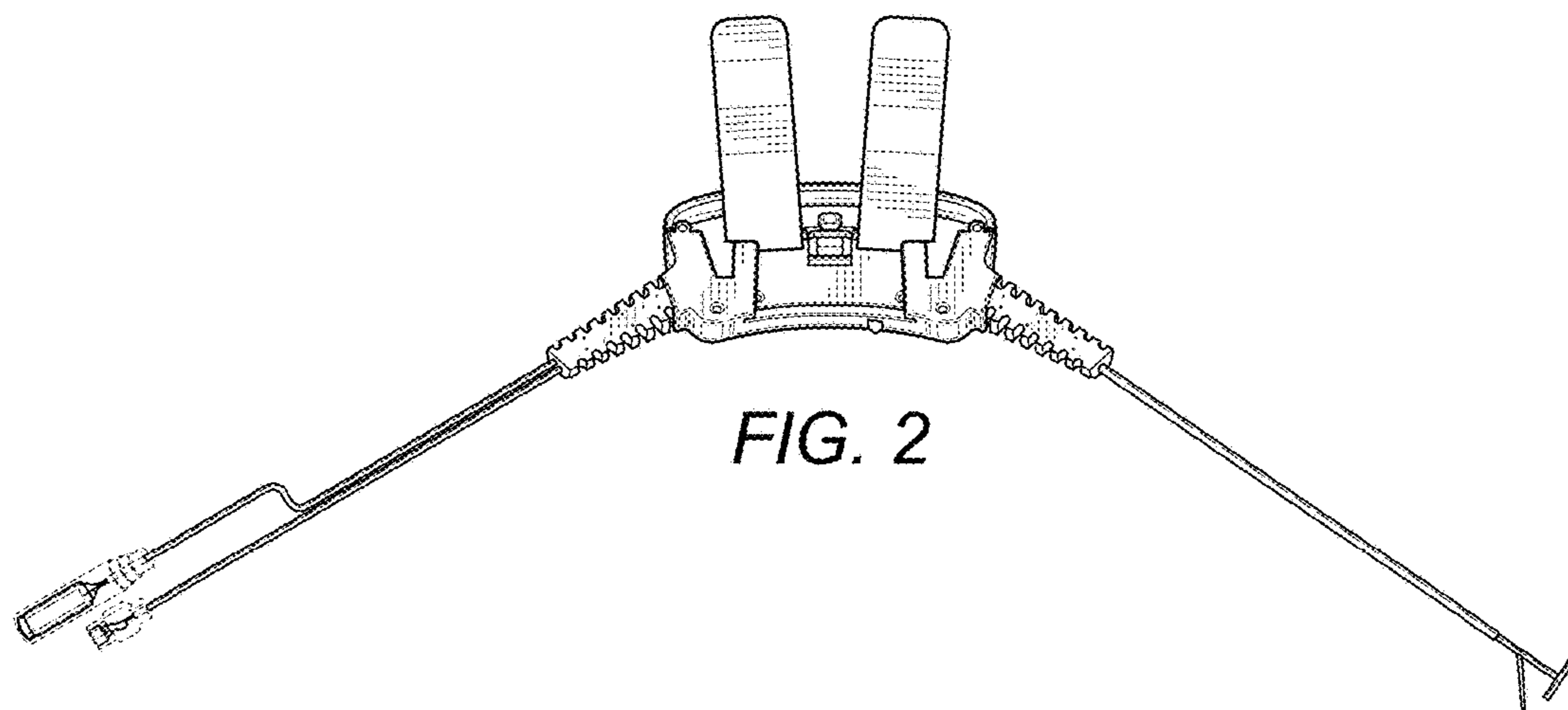
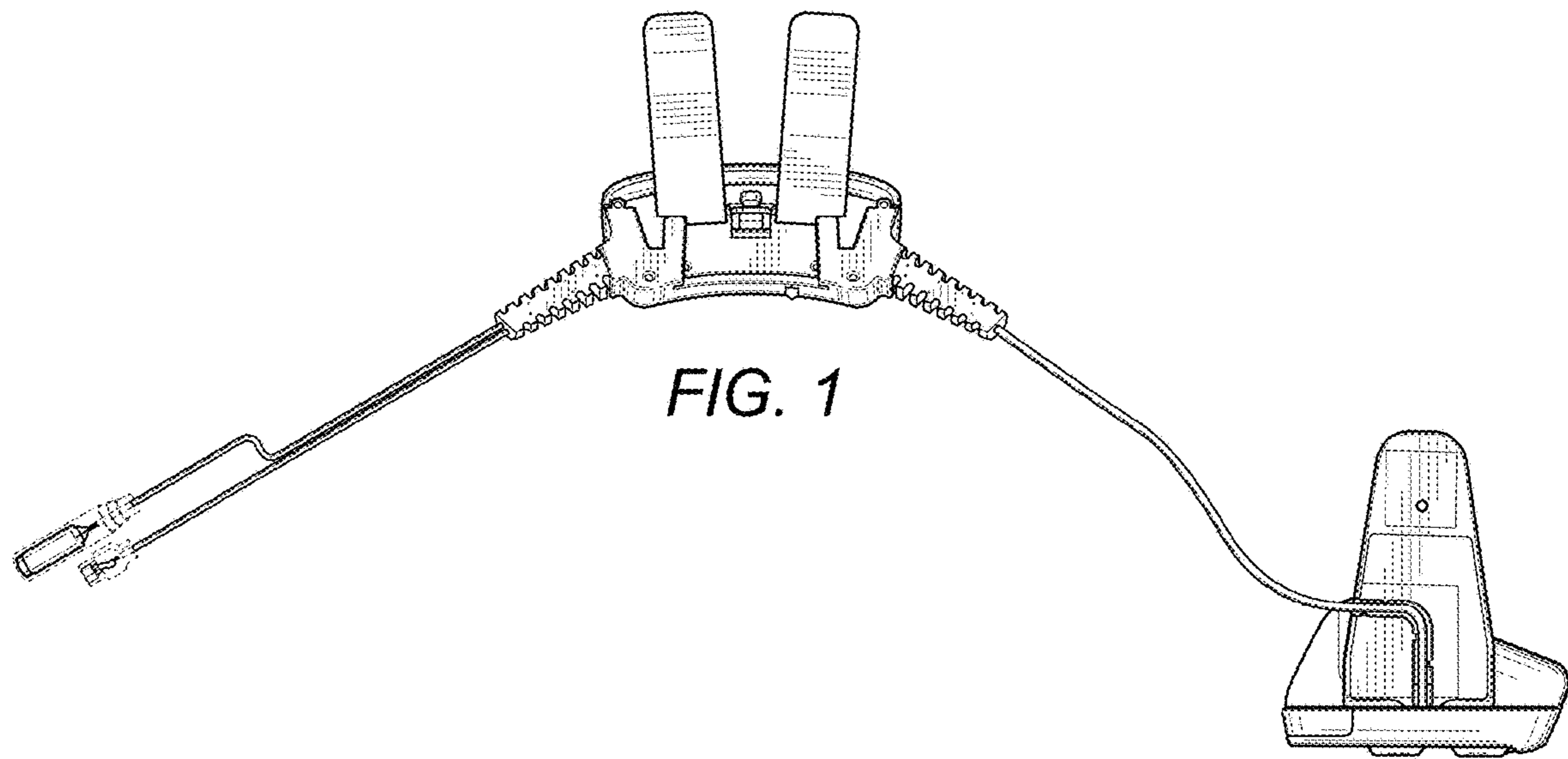
References Cited

U.S. PATENT DOCUMENTS

D316,550 S * 4/1991 Sogabe D14/168
 D352,706 S * 11/1994 Hong D14/137
 5,642,402 A * 6/1997 Vilmi H04B 1/3877
 379/420.02
 6,075,857 A * 6/2000 Doss, Jr. A42B 3/30
 379/430
 D445,416 S 7/2001 Glezerman
 D456,384 S * 4/2002 Ng D14/192
 D470,833 S * 2/2003 Rath D14/205
 6,567,651 B2 * 5/2003 Whitley A45F 5/00
 224/929
 D475,994 S * 6/2003 Schmidt D14/223
 D479,222 S * 9/2003 Lu D14/192
 D479,224 S * 9/2003 Jeong D14/206
 6,728,556 B1 * 4/2004 Whitley A45F 5/00
 455/100
 D498,743 S * 11/2004 Robinson D14/188
 6,904,147 B2 * 6/2005 Lenz H04M 1/05
 379/430
 D507,526 S * 7/2005 Ohta D13/108
 6,914,995 B2 * 7/2005 Kao G11B 31/00
 379/433.02
 6,922,473 B2 * 7/2005 Turnbull H04M 1/05
 381/110
 7,003,317 B2 * 2/2006 Belcher H04B 1/385
 379/420.04
 D517,052 S * 3/2006 Skulley D14/223
 D520,943 S * 5/2006 Imai D13/108
 D539,777 S * 4/2007 Pena Angarita D14/138 R
 7,242,765 B2 * 7/2007 Hairston H04M 1/05
 379/419
 D558,742 S * 1/2008 Koller D14/225
 D567,216 S * 4/2008 Densho D14/205

D575,771 S * 8/2008 Tolve D14/192
 7,436,952 B2 * 10/2008 Darbut H04R 1/08
 379/430
 D584,293 S * 1/2009 Kim D14/223
 D597,072 S * 7/2009 Asai D14/206
 D602,002 S * 10/2009 Asai D14/206
 D602,919 S * 10/2009 Bodley D14/225
 D605,168 S * 12/2009 Jaakkola D14/205
 D607,440 S * 1/2010 Yamakawa D14/206
 D630,620 S * 1/2011 Lee D14/223
 D635,962 S * 4/2011 Kelley D14/206
 D646,280 S * 10/2011 Yano D14/188
 D659,118 S * 5/2012 Watters D14/206
 D661,281 S * 6/2012 Mahaffy D14/206
 D663,715 S 7/2012 Glezerman
 D676,027 S * 2/2013 Hedrick D14/223
 8,706,043 B2 4/2014 Glezerman
 D725,626 S * 3/2015 Kalhok D14/205
 D736,177 S * 8/2015 Winters D14/192
 D737,796 S * 9/2015 Liu D14/205
 D743,947 S * 11/2015 Yoshimura D14/223
 D754,637 S * 4/2016 Harper D14/206
 D756,974 S 5/2016 Glezerman
 D757,683 S 5/2016 Glezerman
 D776,080 S * 1/2017 Enquist D14/205
 D778,873 S * 2/2017 Chen D14/205
 D781,822 S * 3/2017 Morris D14/223
 D810,052 S * 2/2018 Glezerman D14/223
 2004/0063456 A1 * 4/2004 Griffin H04B 1/3877
 455/550.1
 2005/0202857 A1 * 9/2005 Seshadri H04M 1/05
 455/575.2
 2006/0052144 A1 * 3/2006 Seil H04B 1/38
 455/575.1
 2012/0189153 A1 * 7/2012 Kushnirov H04R 1/028
 381/375

* cited by examiner



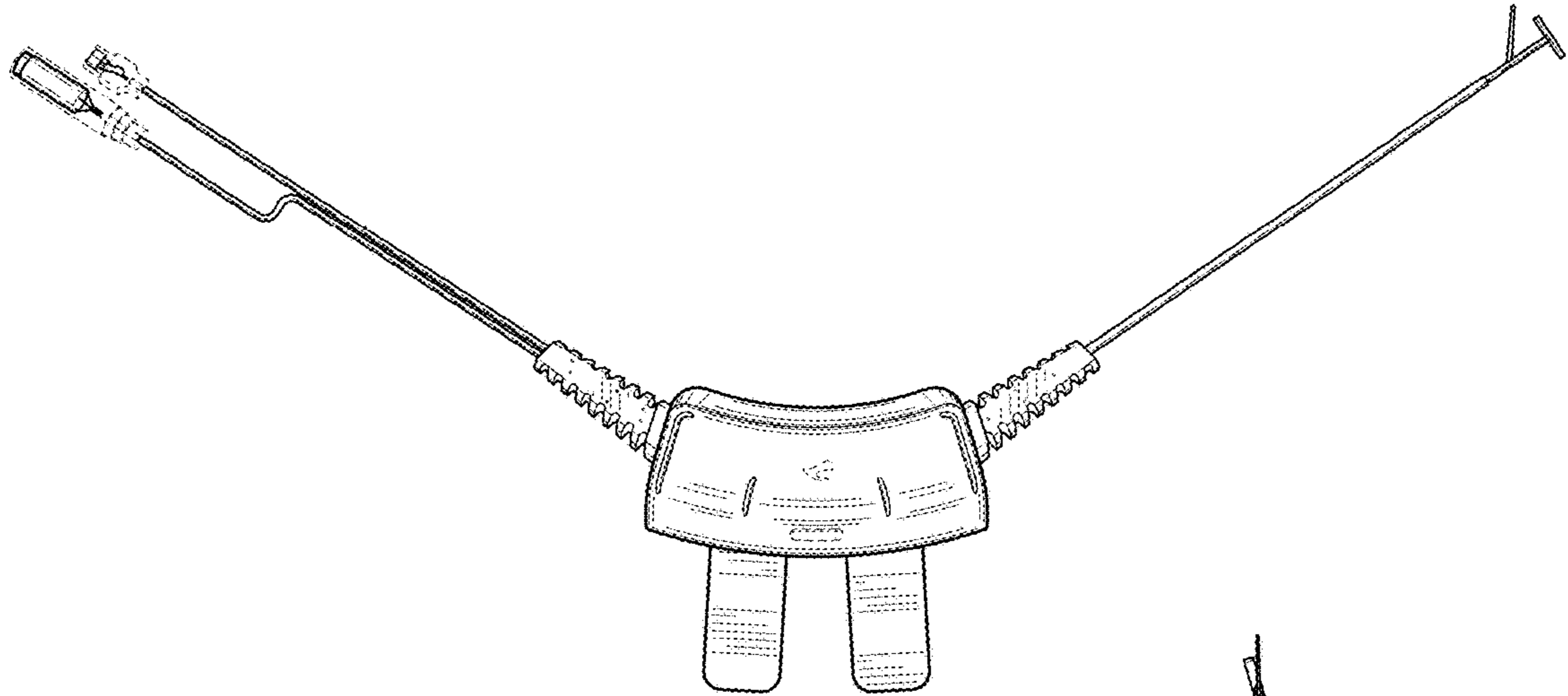


FIG. 3

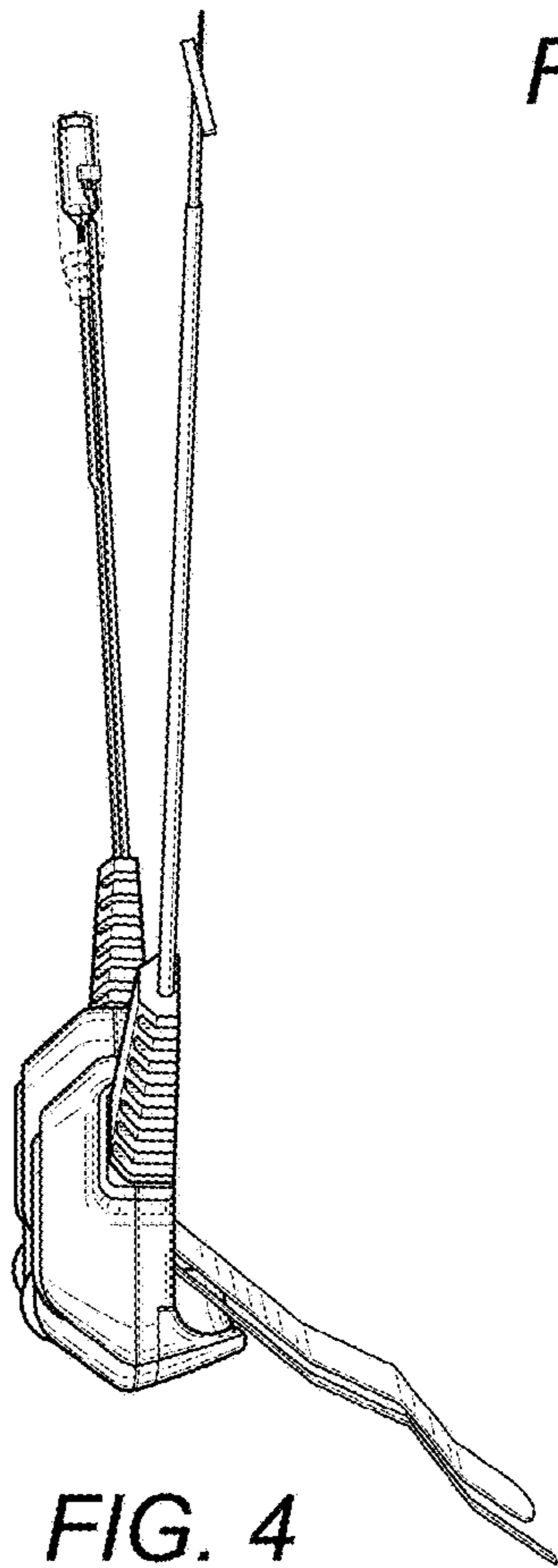


FIG. 4

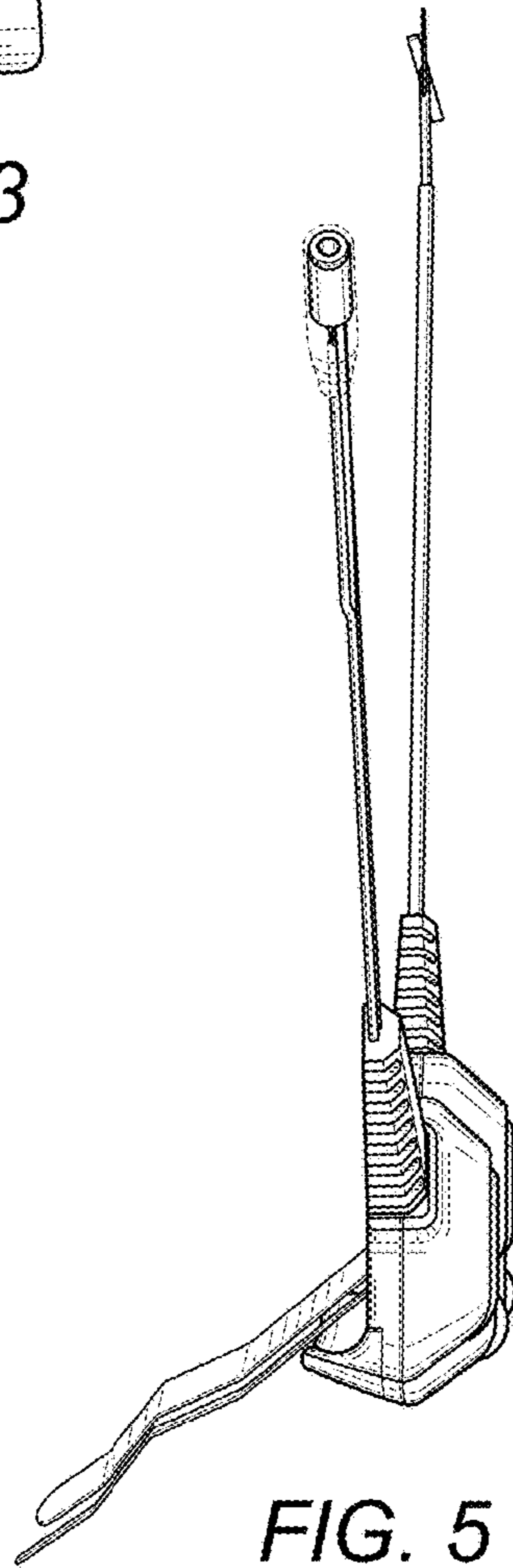


FIG. 5

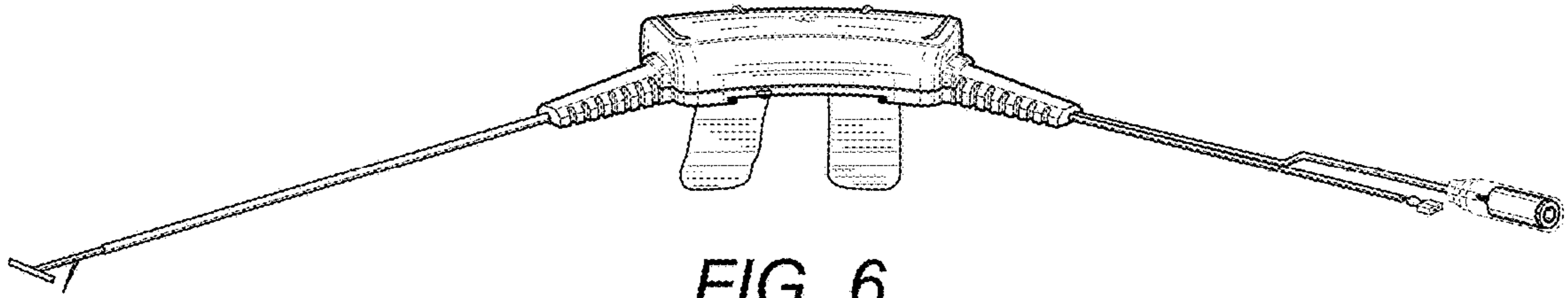


FIG. 6

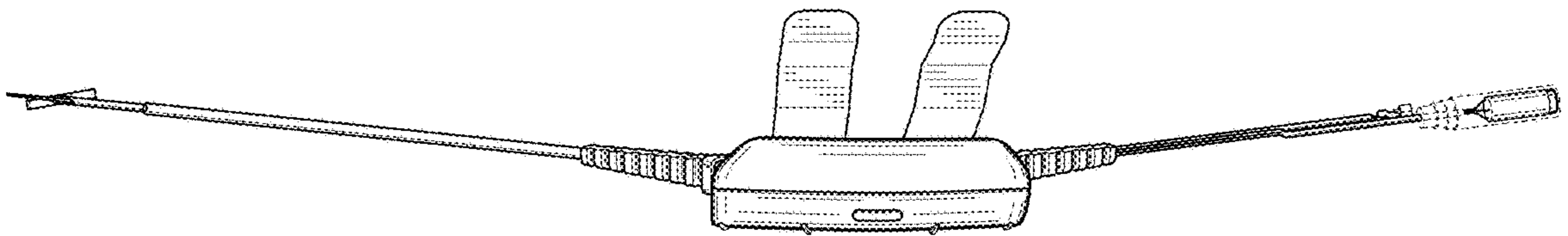


FIG. 7

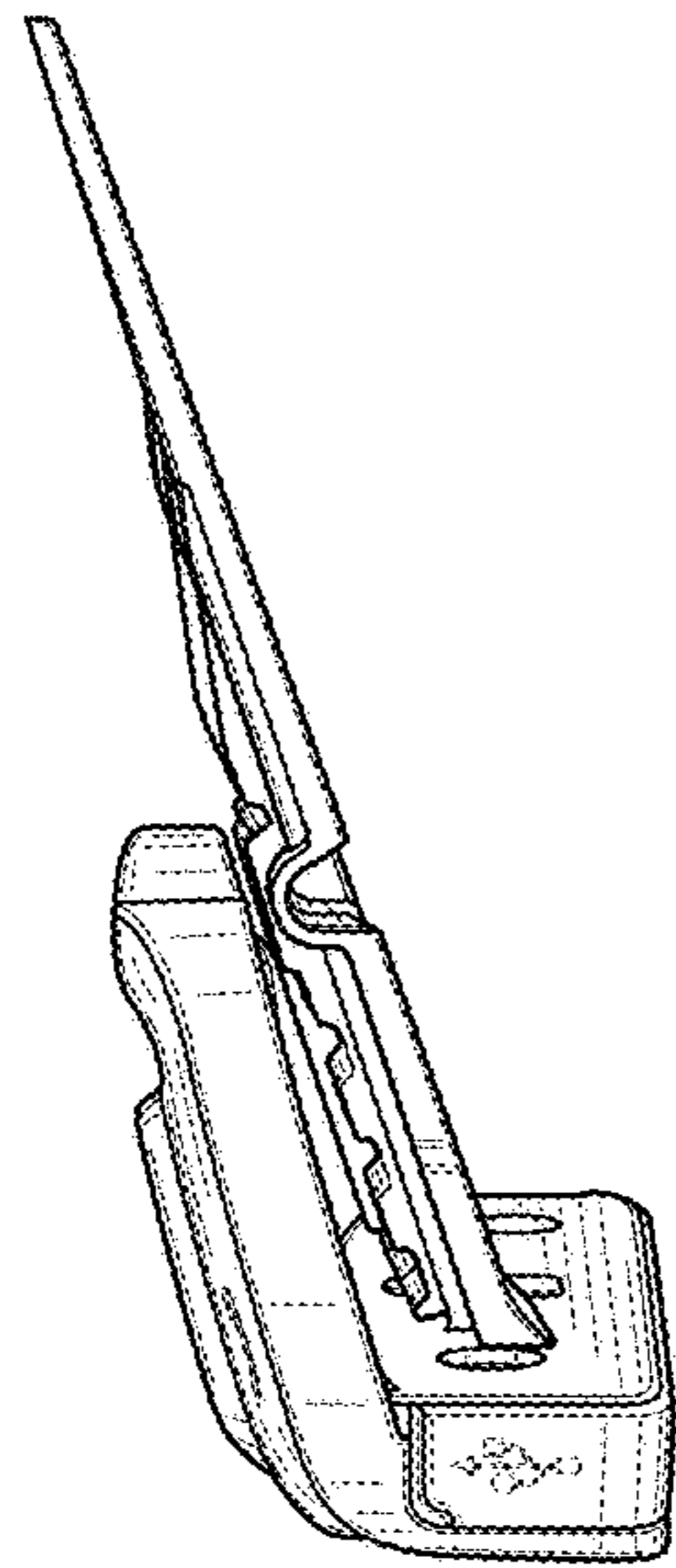


FIG. 8

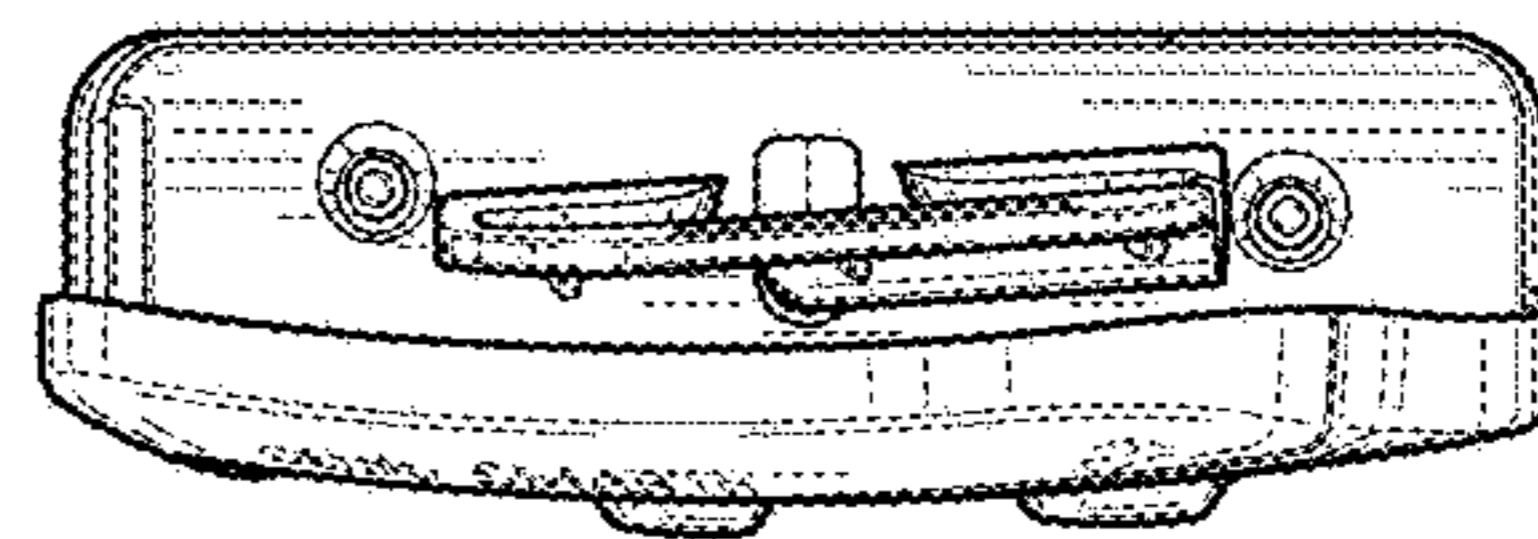


FIG. 9

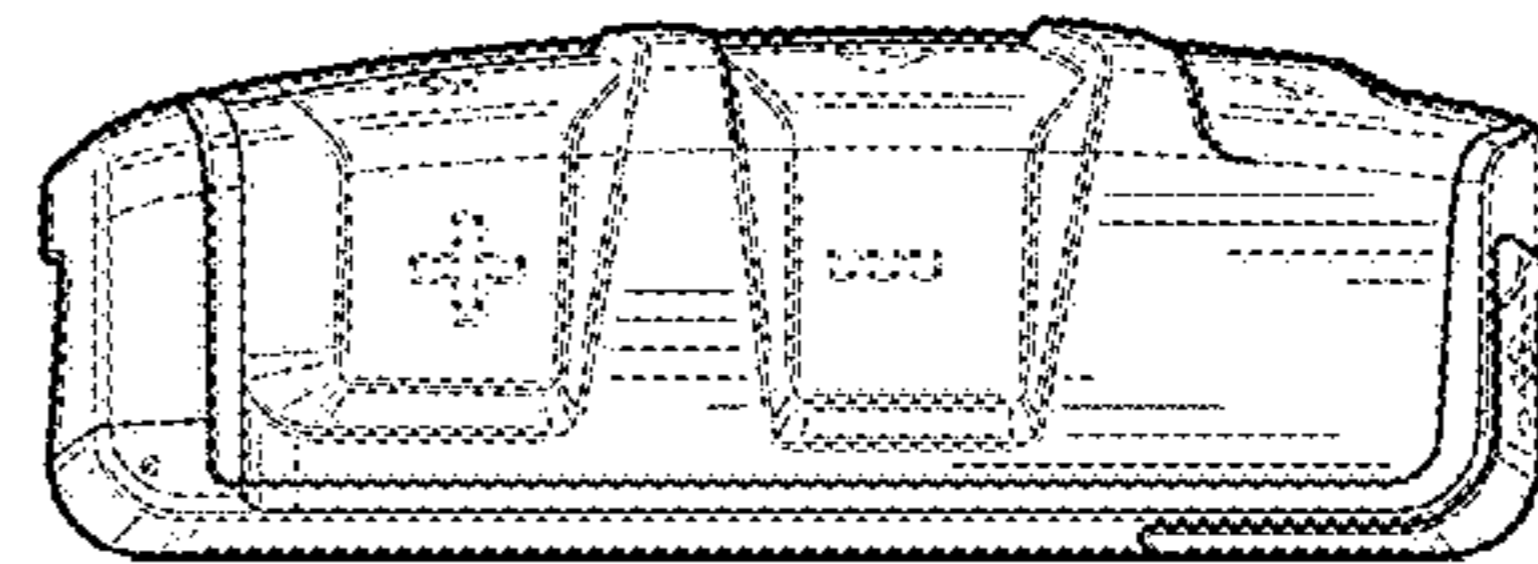


FIG. 10

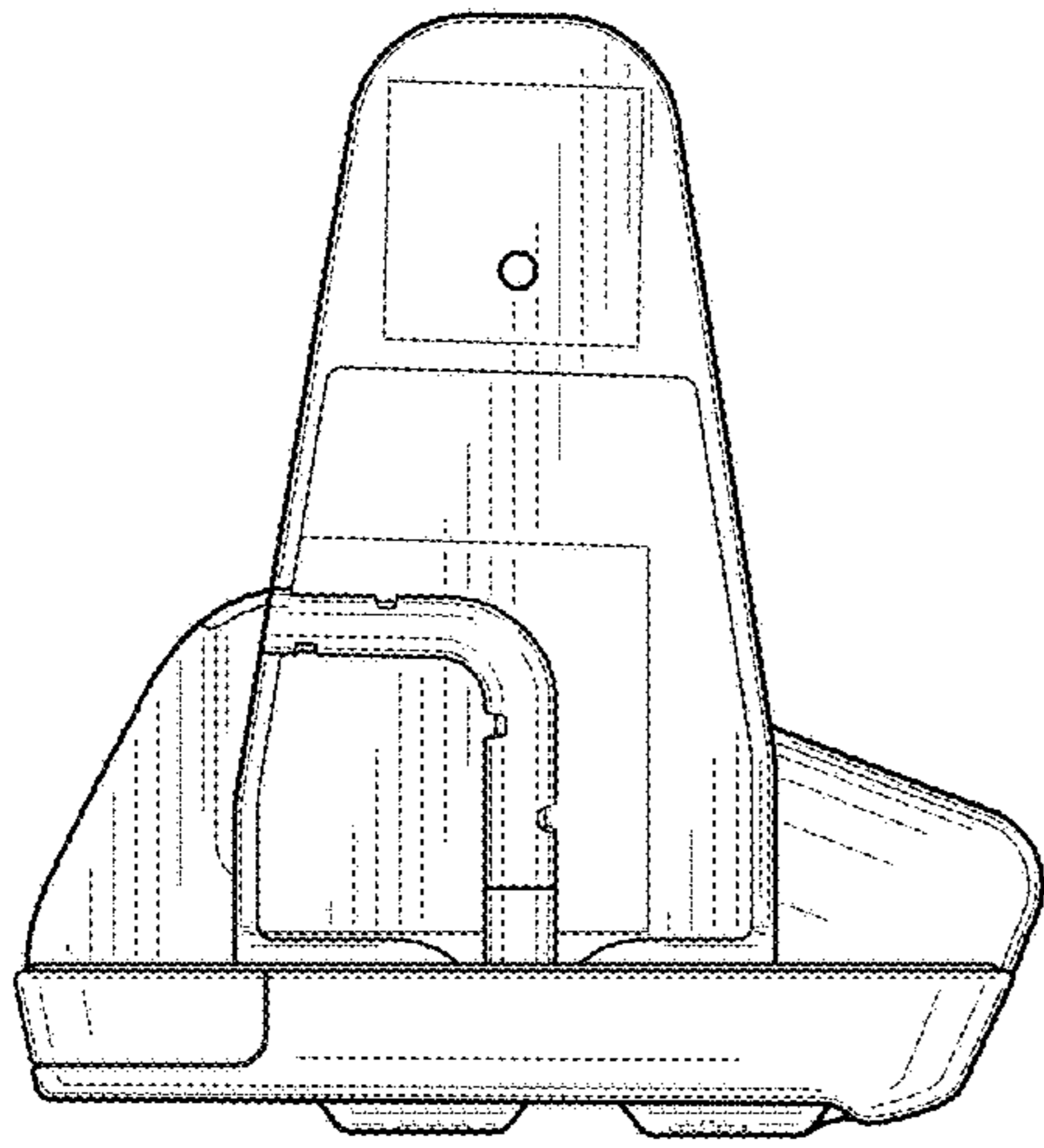


FIG. 11

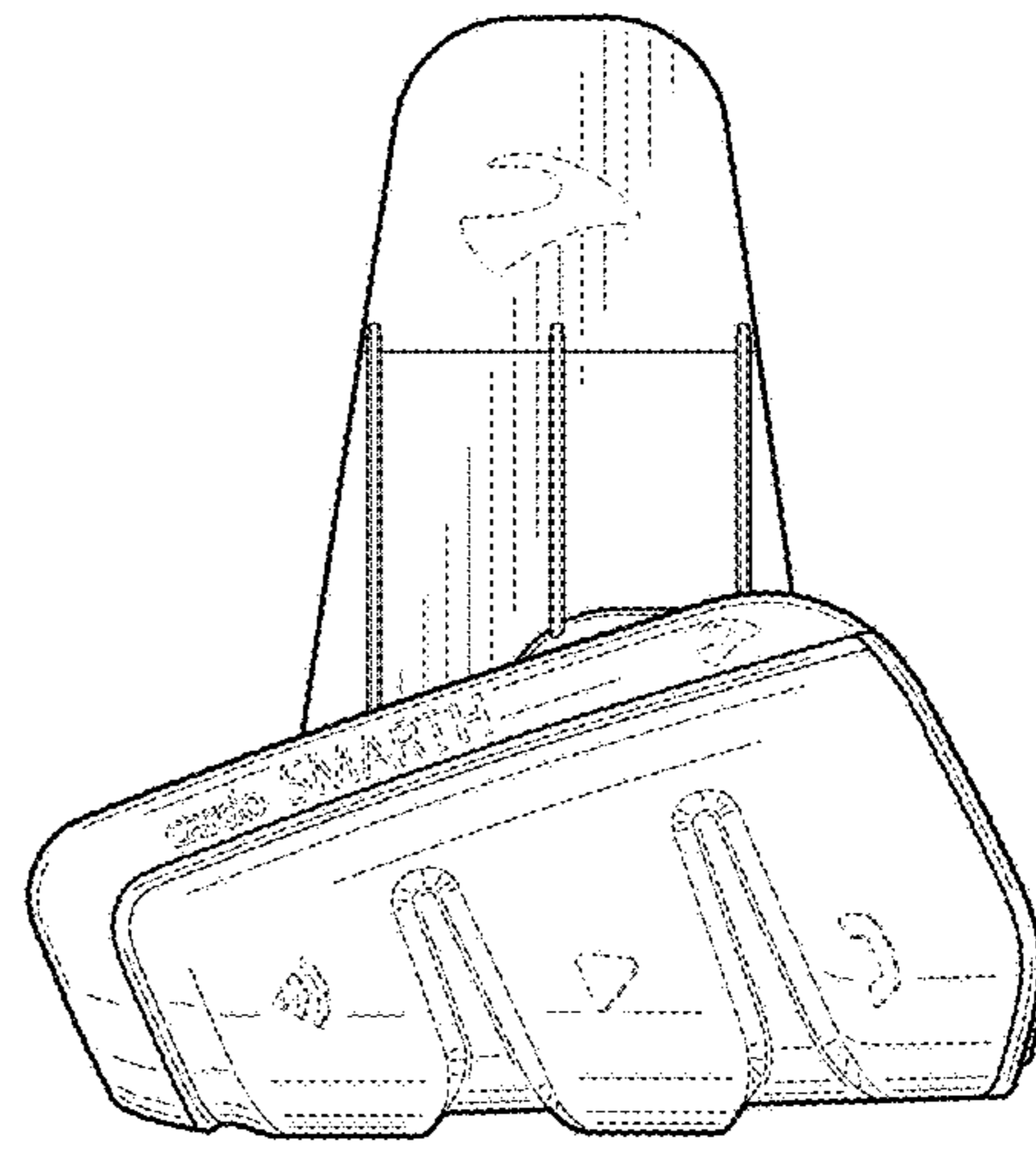


FIG. 12

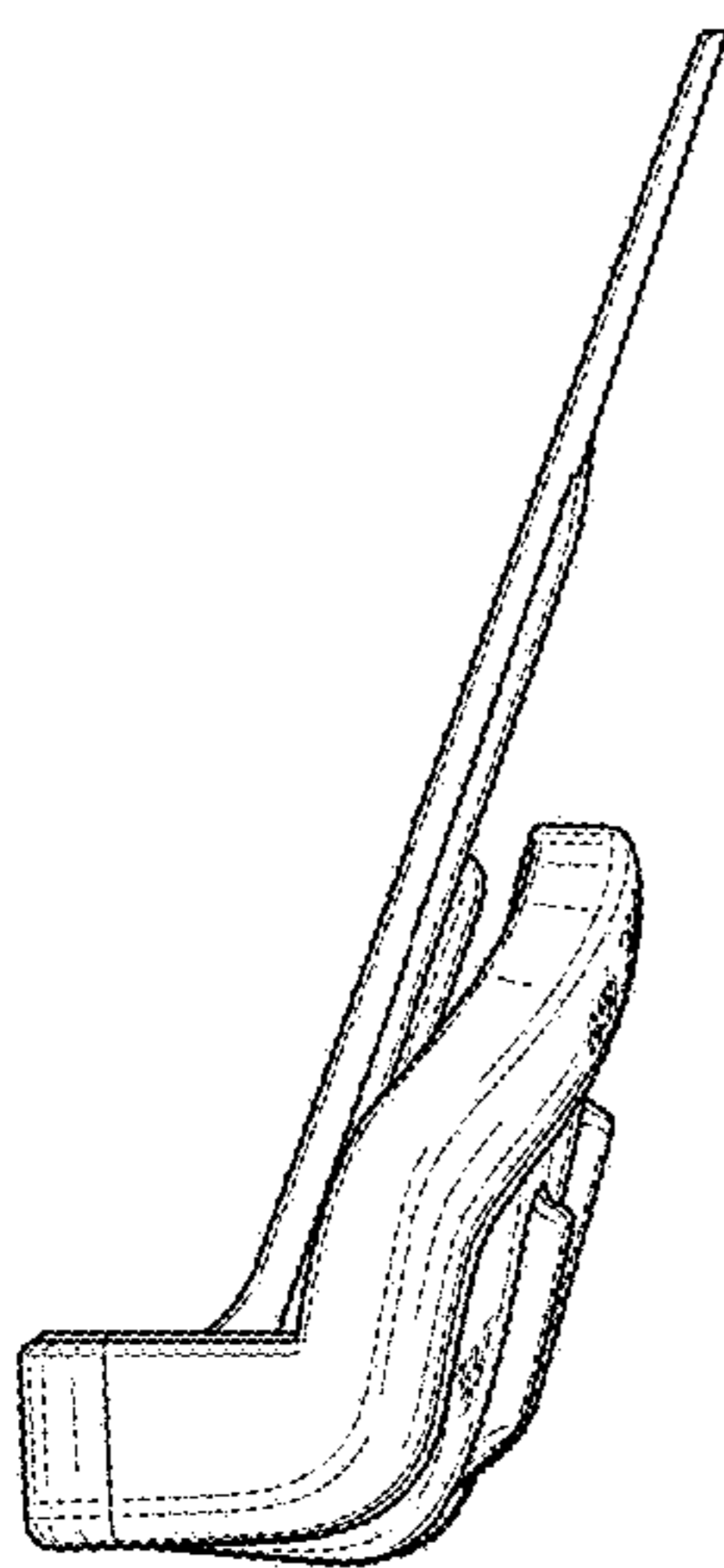


FIG. 13

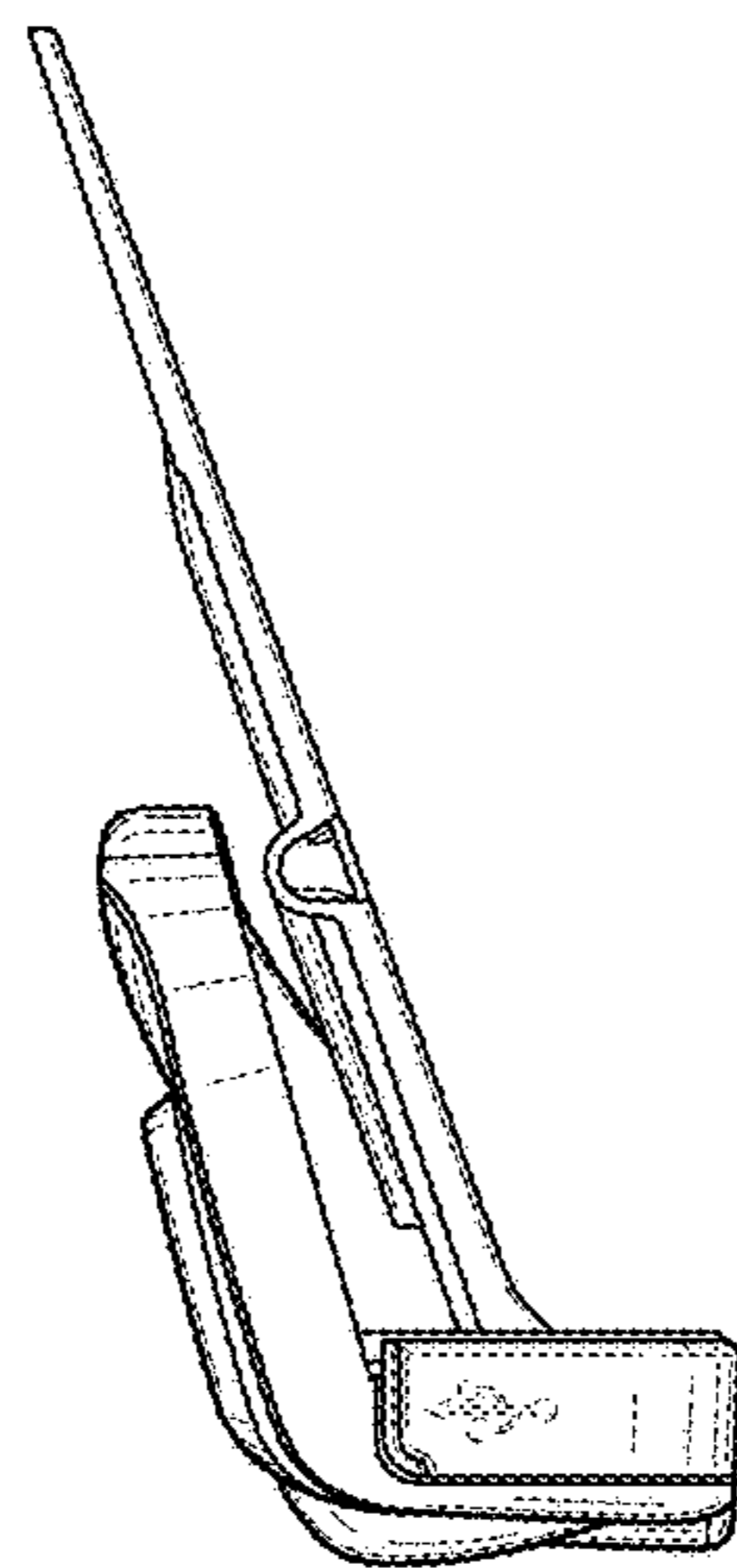


FIG. 14

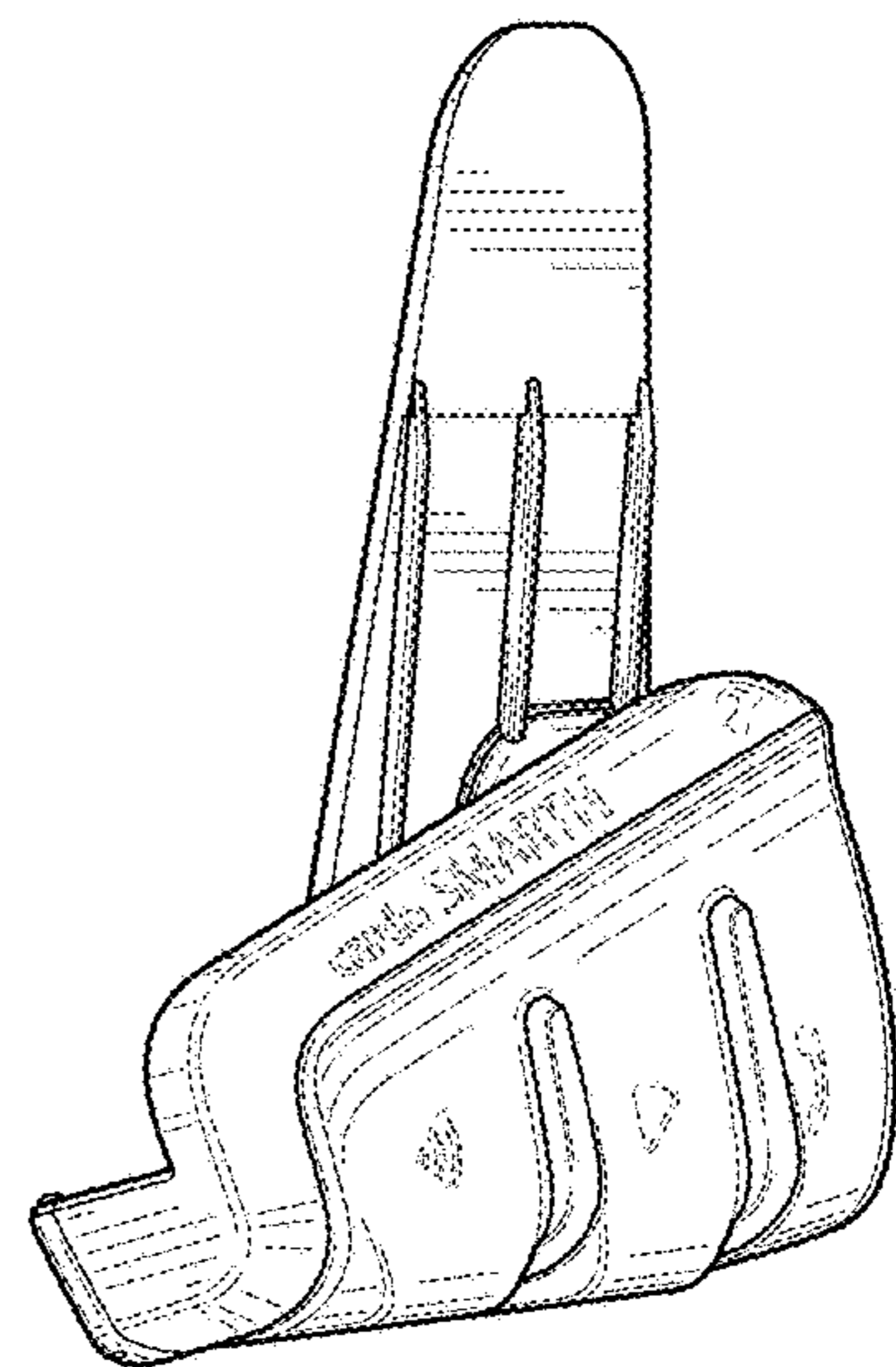


FIG. 15