



US00D822636S

(12) **United States Design Patent**
Liu

(10) **Patent No.:** **US D822,636 S**
(45) **Date of Patent:** **** Jul. 10, 2018**

- (54) **ACTIVE NOISE CANCELLING WIRELESS EARPHONE**
- (71) Applicant: **Zoey Liu**, Guangdong (CN)
- (72) Inventor: **Zoey Liu**, Guangdong (CN)
- (73) Assignee: **Shenzhen Shangyuan Tech LTD**, Gao Xin Ji Shu Gong Ye Cun, Nanshan Dist., Shenzhen, Guangdong (CN)
- (**) Term: **15 Years**
- (21) Appl. No.: **29/589,656**
- (22) Filed: **Jan. 4, 2017**
- (51) **LOC (11) Cl.** **14-01**
- (52) **U.S. Cl.**
USPC **D14/205**
- (58) **Field of Classification Search**
USPC D14/205, 223; 181/129, 130, 135;
379/430, 431; 381/380, 381; 455/90.3,
455/575.1, 569.1
CPC H04R 1/10; H04R 1/1066; H04R 25/00;
H04R 25/02; H04R 1/1091
See application file for complete search history.

(56) **References Cited**

U.S. PATENT DOCUMENTS

D278,234 S *	4/1985	Saito	D14/205
D311,007 S *	10/1990	Daido	D14/205
D318,670 S *	7/1991	Taniguchi	D14/205
D558,735 S *	1/2008	Carr	D14/206
D568,291 S *	5/2008	Andre	D14/205
D569,841 S *	5/2008	Chung	D14/205
D582,389 S *	12/2008	Bose	D14/205
D582,889 S *	12/2008	Bose	D14/205
D591,264 S *	4/2009	Hong	D14/205
D595,690 S *	7/2009	Fullerton	D14/205
D636,756 S *	4/2011	Fahrendorff	D14/205

7,920,902 B2 *	4/2011	Carroll	H04M 1/6066 381/74
D637,998 S *	5/2011	Brunner	D14/205
D643,830 S *	8/2011	Fish	D14/205
D652,817 S *	1/2012	Lee	D14/205
D654,056 S *	2/2012	Hoggarth	D14/205
D662,079 S *	6/2012	Fahrendorff	D14/205
8,218,803 B2 *	7/2012	Fickweiler	H04R 25/604 181/129
D666,581 S *	9/2012	Perez	D14/223
D670,275 S *	11/2012	Tompkin	D14/223
D671,523 S *	11/2012	Daniel	D14/206
D678,242 S *	3/2013	Von Euler	D14/205
8,447,062 B2 *	5/2013	Lin	H04R 1/1033 381/370
D685,750 S *	7/2013	Nakagawa	D13/168
D685,761 S *	7/2013	Fletcher	D14/205
D685,764 S *	7/2013	Coulter	D14/205
D687,410 S *	8/2013	Fletcher	D14/205
D711,356 S *	8/2014	Yang	D14/223
D712,371 S *	9/2014	Henning	D14/205
D715,254 S *	10/2014	Lee	D14/205
D718,273 S *	11/2014	Harata	D14/205
D722,040 S *	2/2015	Tan	D14/205
D726,145 S *	4/2015	Hsieh	D14/205

(Continued)

Primary Examiner — Paula Allen Greene

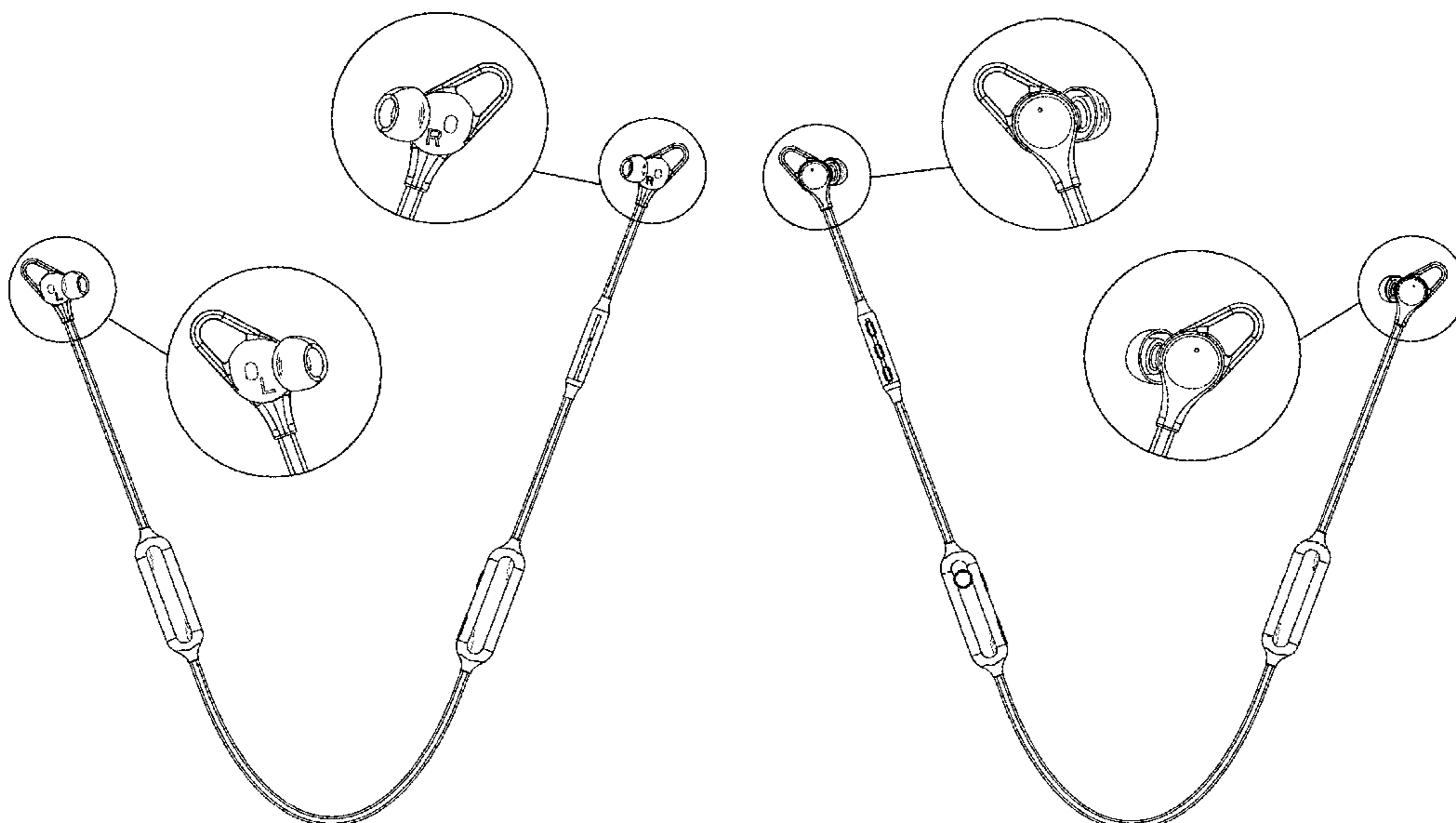
(57) **CLAIM**

The ornamental design for active noise cancelling wireless earphone, as shown and described.

DESCRIPTION

FIG. 1 is a front plan view thereof; FIG. 2 is a back plan view thereof; FIG. 3 is a left plan view thereof; FIG. 4 is a right plan view thereof; FIG. 5 is a top plan view thereof; and, FIG. 6 is a bottom plan view thereof. The broken lines depict environment that forms no part of the claimed design.

1 Claim, 6 Drawing Sheets



(56)

References Cited

U.S. PATENT DOCUMENTS

D727,871	S *	4/2015	Orbach	D14/205
D743,932	S *	11/2015	Toelle	D14/205
D745,862	S *	12/2015	Otani	D14/223
D774,490	S *	12/2016	Lin	D14/205
D776,083	S *	1/2017	Lee	D14/205
D776,635	S *	1/2017	Chang	D14/205
D777,138	S *	1/2017	Fletcher	D14/205
D777,139	S *	1/2017	Fletcher	D14/205
D778,257	S *	2/2017	Hu	D14/205
D780,157	S *	2/2017	Ugglä	D14/205
D781,821	S *	3/2017	Petersen	D14/205
D785,592	S *	5/2017	Naitou	D14/205
D785,594	S *	5/2017	Zaihui	D14/205
D786,216	S *	5/2017	Silva	D14/205
D786,217	S *	5/2017	Stoch	D14/205
D796,475	S *	9/2017	Wang	D14/205
2006/0285715	A1 *	12/2006	Drambarean	H04R 1/1016 381/380
2007/0098201	A1 *	5/2007	Chen	H04R 1/1016 381/380
2016/0037248	A1 *	2/2016	Cheng	H04R 1/105 381/74

* cited by examiner

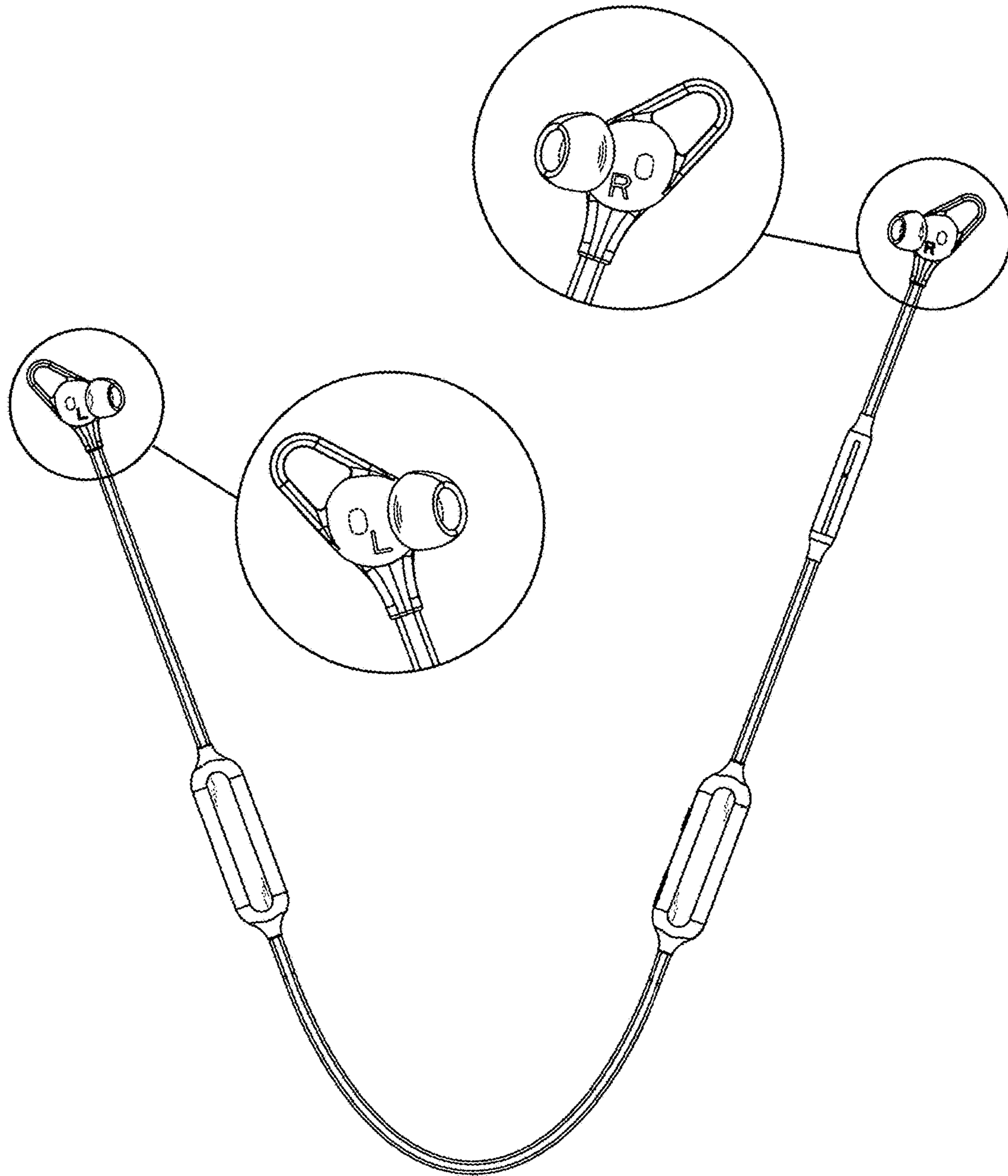


Figure 1

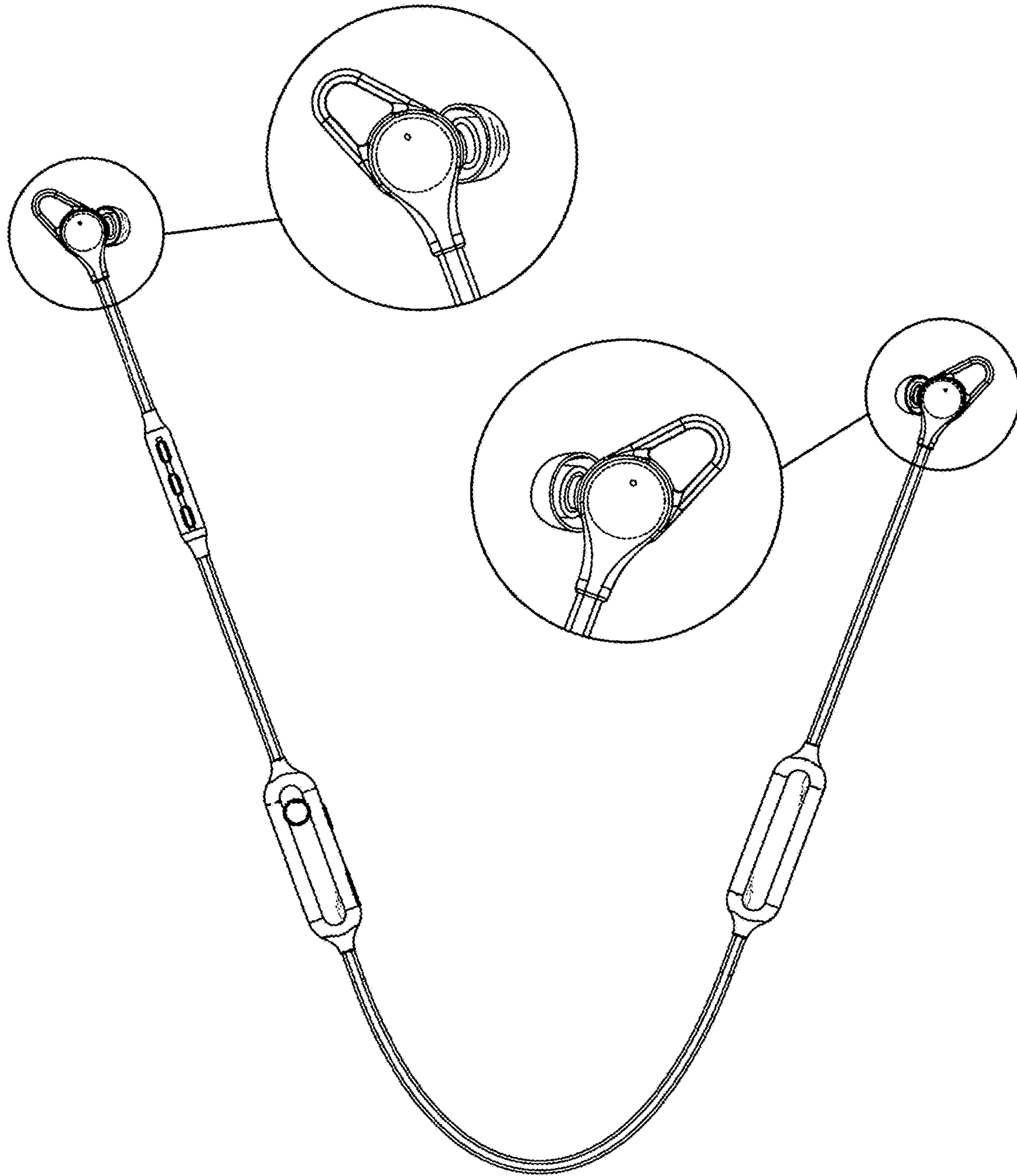


Figure 2

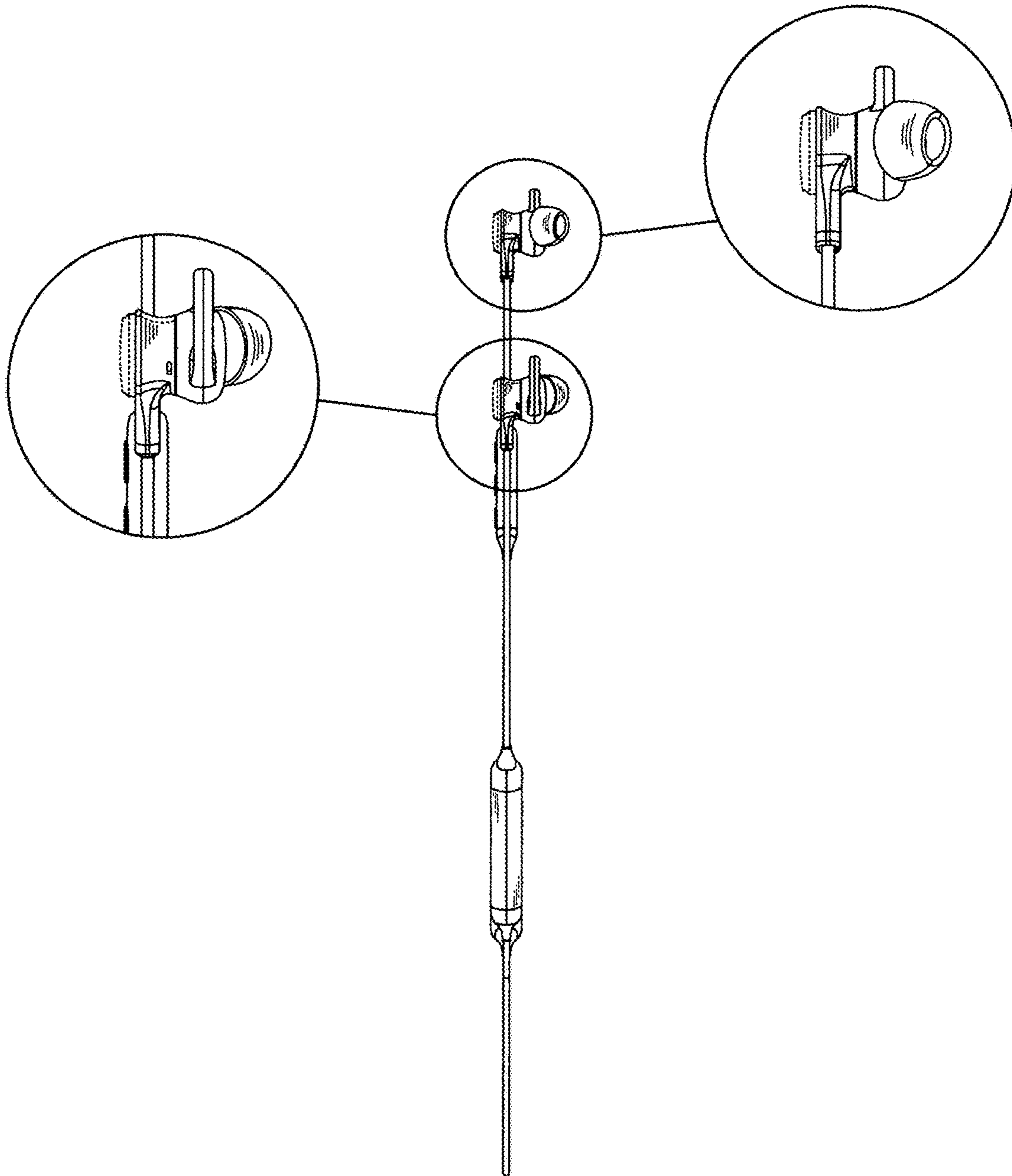


Figure 3

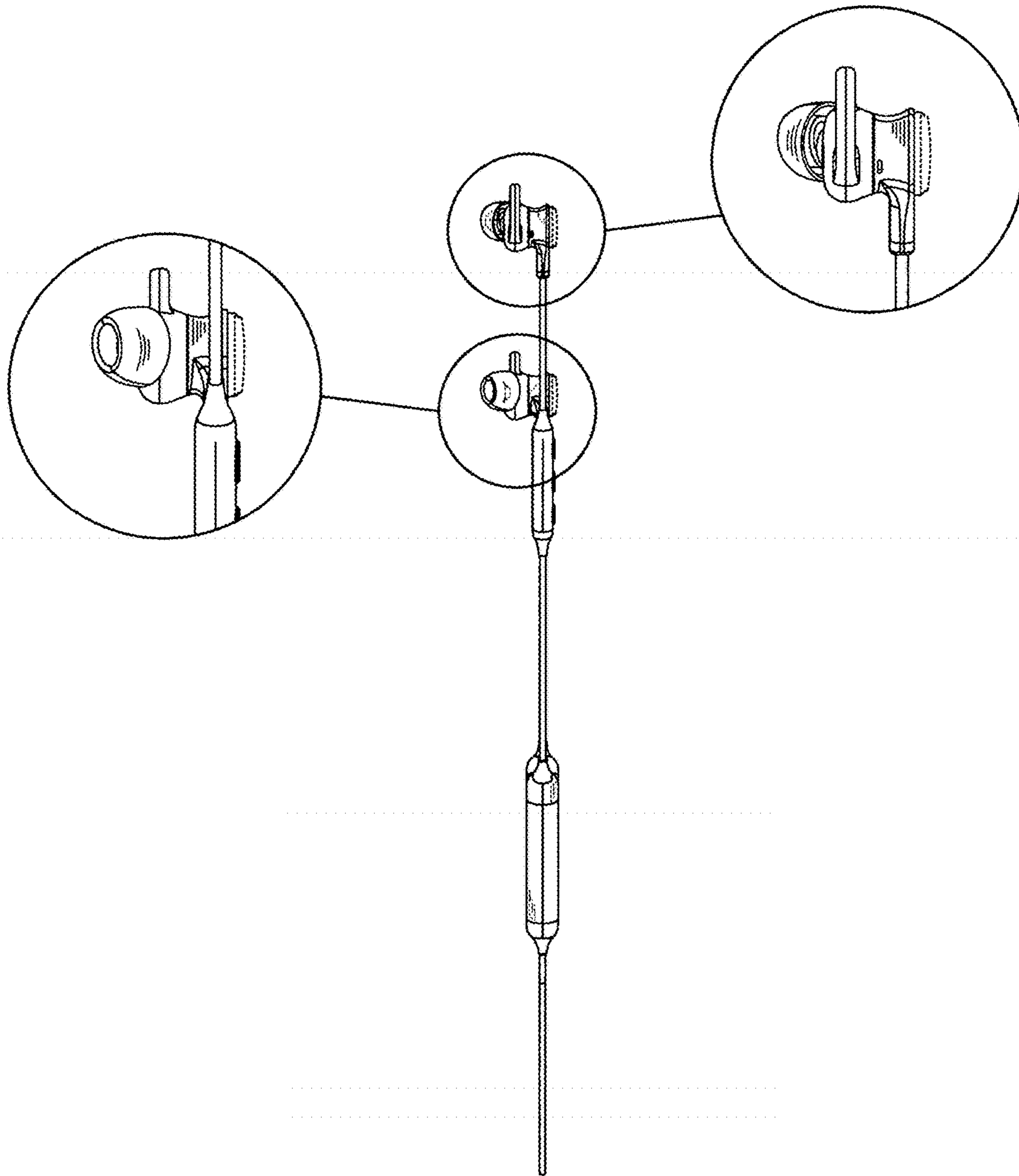


Figure 4

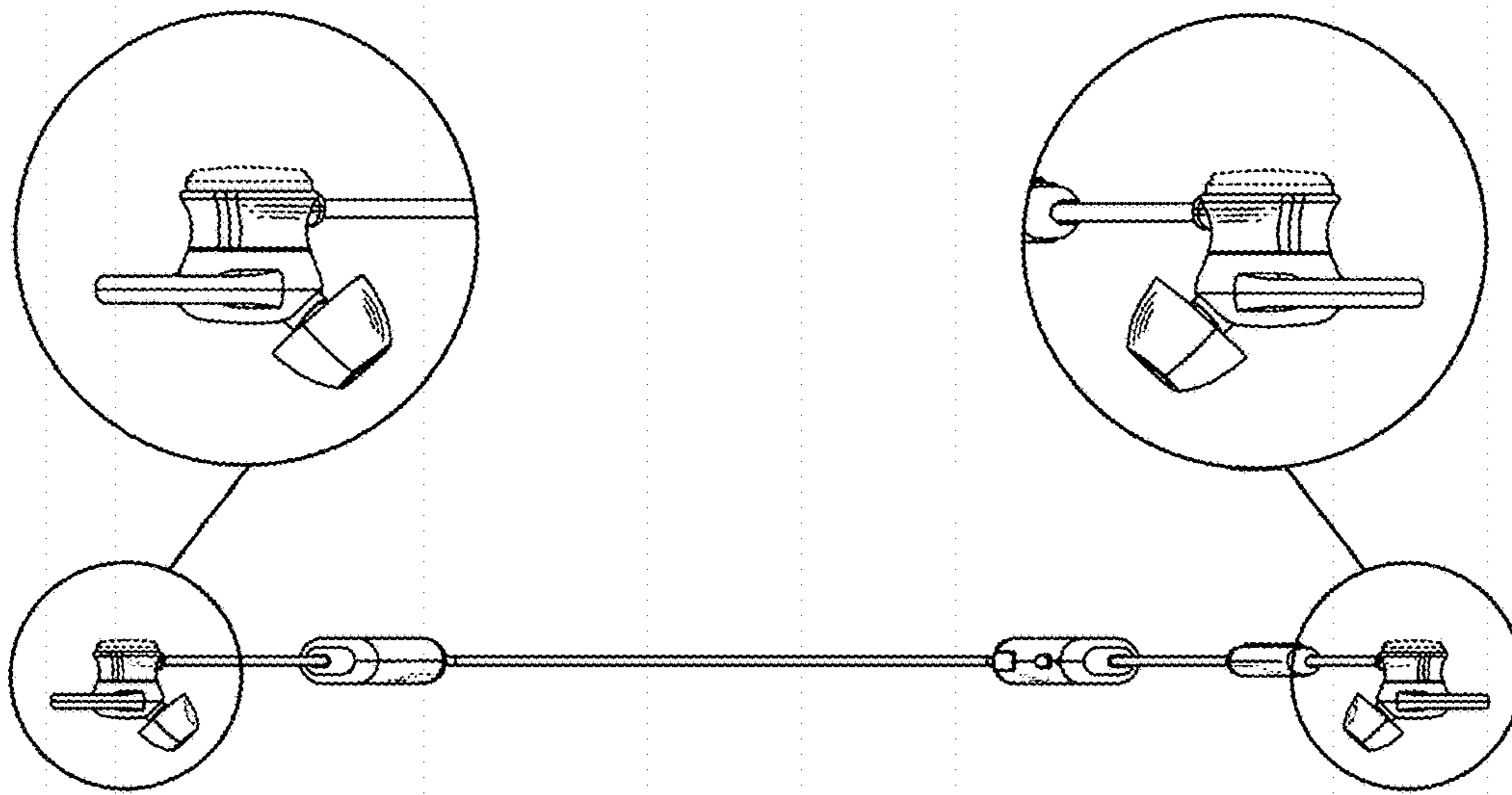


Figure 5

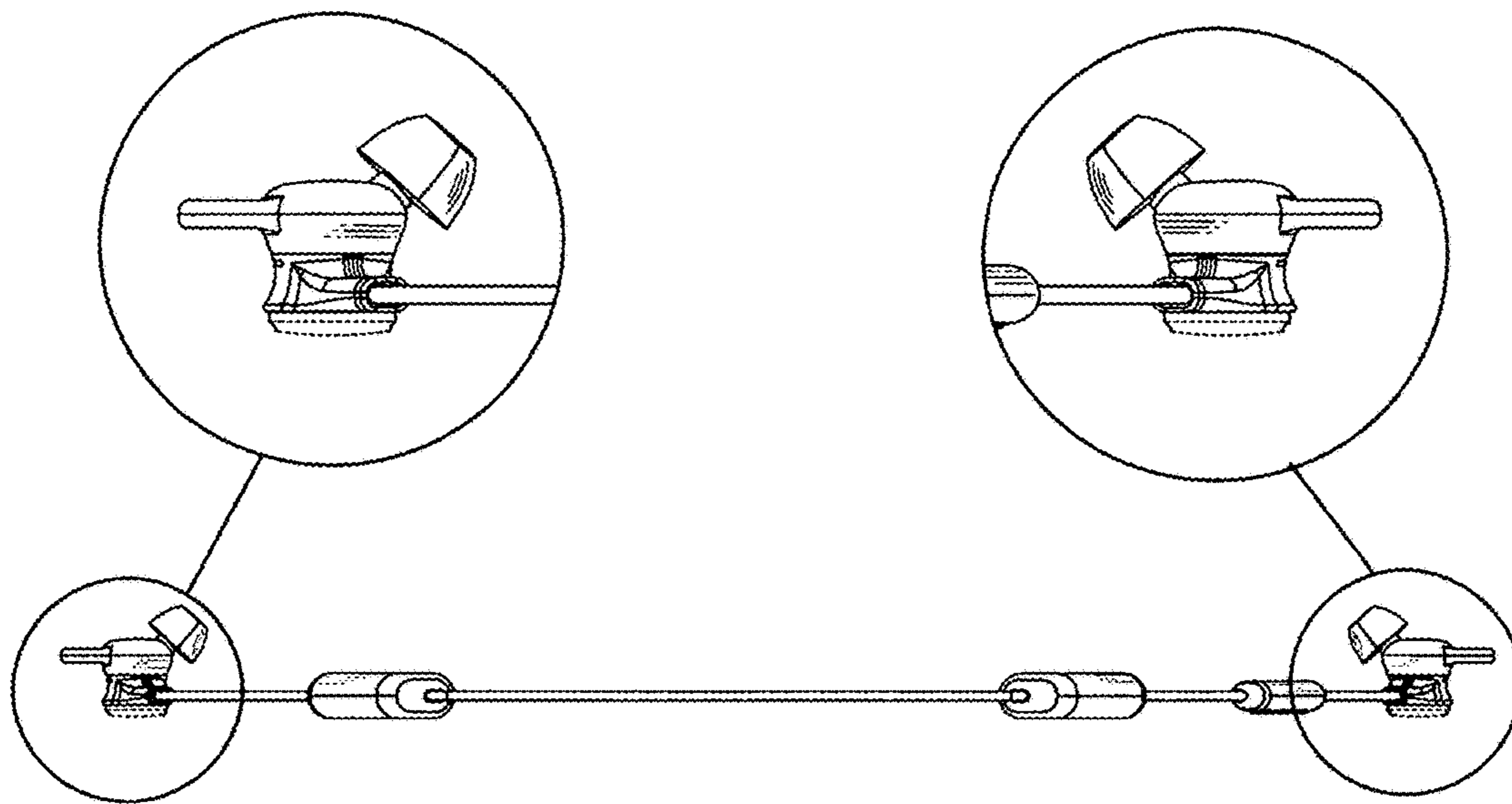


Figure 6