



US00D822635S

(12) **United States Design Patent**
Ando et al.

(10) **Patent No.:** **US D822,635 S**
(45) **Date of Patent:** **** Jul. 10, 2018**

- (54) **HEADPHONE**
- (71) Applicant: **KABUSHIKI KAISHA**
AUDIO-TECHNICA, Tokyo (JP)
- (72) Inventors: **Kozo Ando**, Kanagawa (JP); **Shohei Araki**, Kanagawa (JP)
- (73) Assignee: **Kabushiki Kaisha Audio-Technica**, Tokyo (JP)

3,207,257	A *	9/1965	Wilson	H04R 1/02 181/147
3,279,871	A *	10/1966	Bright	H02B 1/42 312/223.1
3,440,663	A *	4/1969	Beguin	A61F 11/14 2/209
4,856,086	A *	8/1989	McCullough	A61F 9/029 455/344
5,106,179	A *	4/1992	Kamaya	A61F 9/08 351/158

(Continued)

(**) Term: **15 Years**

FOREIGN PATENT DOCUMENTS

- (21) Appl. No.: **29/553,971**
- (22) Filed: **Feb. 5, 2016**

GB	2505919	3/2014
JP	2010109799	5/2010
JP	2011087048	4/2011

Primary Examiner — Paula Allen Greene
(74) *Attorney, Agent, or Firm* — W&C IP

(30) **Foreign Application Priority Data**

Aug. 7, 2015 (JP) 2015-17536

- (51) **LOC (11) Cl.** **14-01**
- (52) **U.S. Cl.**
USPC **D14/205**

- (58) **Field of Classification Search**
USPC D14/205, 138 R, 138 G, 140.9; D29/112;
181/129, 130, 125; 379/430, 431;
381/380, 381; 2/209, 243, 245;
455/90.3, 575.1, 569.1
CPC H04R 1/10; H04R 1/1016; H04R 1/1066;
H04R 5/033; H04R 5/0335
See application file for complete search history.

(56) **References Cited**

U.S. PATENT DOCUMENTS

2,420,245	A *	5/1947	Hurst	A61F 11/06 2/209
2,882,348	A *	4/1959	Erickson	G02C 11/06 381/322
2,946,860	A *	7/1960	Jansen	H04R 1/1008 181/129
2,990,553	A *	7/1961	Ulrich	A61F 11/14 181/129

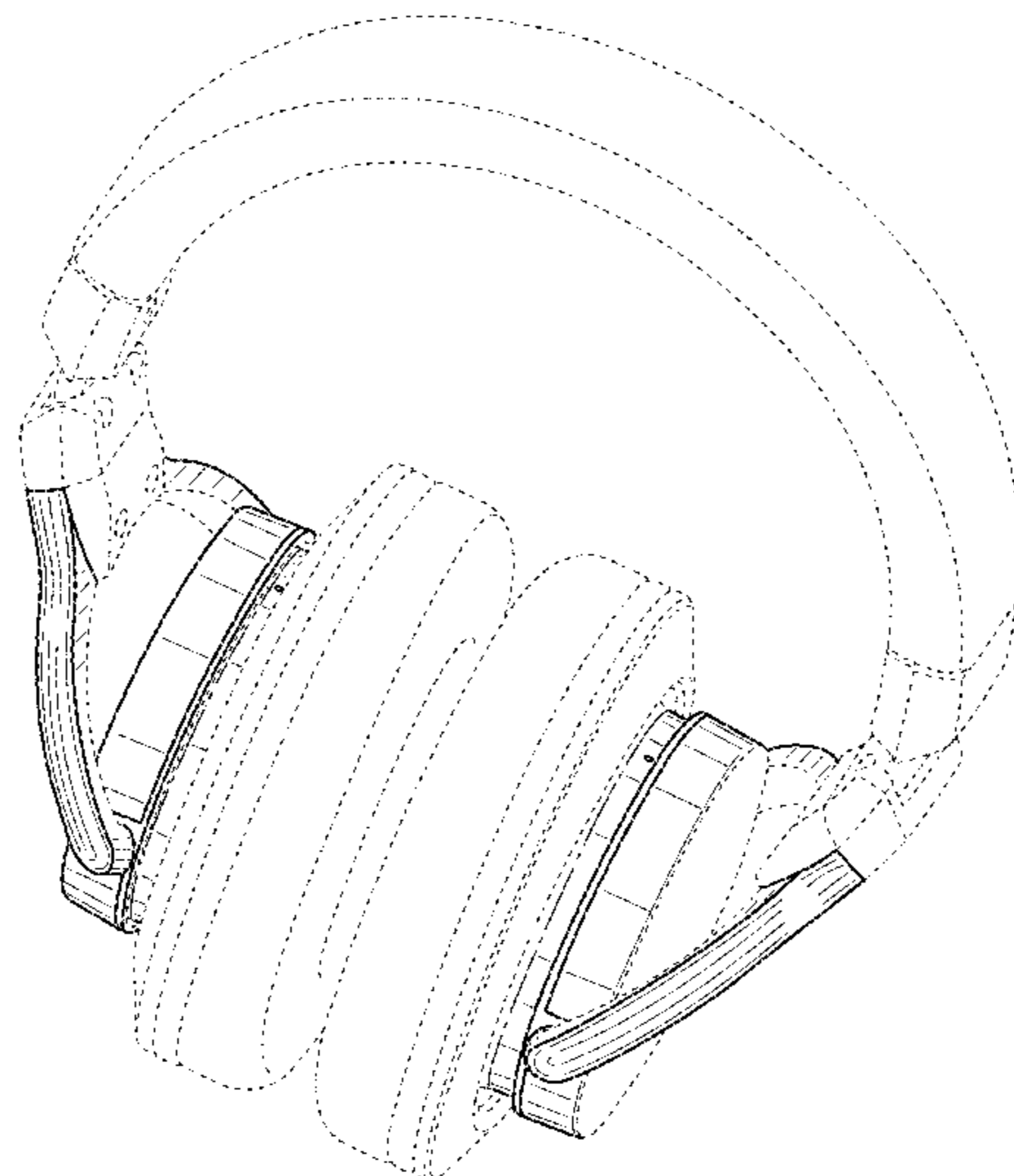
(57) **CLAIM**

What is claimed is the ornamental design for a headphone, as shown and described.

DESCRIPTION

FIG. 1 is a perspective view of a headphone;
 FIG. 2 is a front elevational view of the headphone;
 FIG. 3 is a rear elevational view of the headphone;
 FIG. 4 is a top plan view of the headphone;
 FIG. 5 is a bottom plan view of the headphone;
 FIG. 6 is a left side elevational view of the headphone;
 FIG. 7 is a right side elevational view of the headphone;
 FIG. 8 is an enlarged partial view of the headphone taken from FIG. 1;
 FIG. 9 is an enlarged sectional view of the headphone taken along line 9-9 of FIG. 2; and,
 FIG. 10 is an enlarged partial sectional view of the headphone taken along line 10-10 of FIG. 9.
 Portions of the drawings shown in broken lines form no part of the claimed design.

1 Claim, 10 Drawing Sheets



(56)

References Cited

U.S. PATENT DOCUMENTS

5,606,743 A * 2/1997 Vogt H04B 1/086
16/228
6,010,216 A * 1/2000 Jesiek H04B 1/385
351/158
D455,341 S * 4/2002 Davis D9/631
D476,717 S * 7/2003 Pitts D23/207
6,735,316 B1 5/2004 Wurtz
D521,493 S * 5/2006 Wai D14/205
D581,394 S * 11/2008 Lee D14/205
D633,895 S * 3/2011 Morimoto D14/205
8,472,636 B2 6/2013 Sibbald
D692,024 S * 10/2013 Seong D14/496
D718,271 S * 11/2014 McTague D14/203.1
D742,340 S * 11/2015 Krivonak D13/184
D765,056 S * 8/2016 Yang D14/205
D768,110 S * 10/2016 Suzuki D14/205
D777,137 S * 1/2017 Erbeus D14/205
2009/0010474 A1 1/2009 Ouryouji
2009/0285408 A1 11/2009 Kimura
2010/0080400 A1 4/2010 Sibbald et al.
2011/0044464 A1 2/2011 Sapiejewski et al.
2011/0044465 A1 2/2011 D'Agostino et al.
2012/0014532 A1 1/2012 Kimura
2012/0128191 A1 5/2012 Jung et al.
2014/0105413 A1 4/2014 Clemow
2014/0169579 A1 6/2014 Azmi

* cited by examiner

FIG. 1

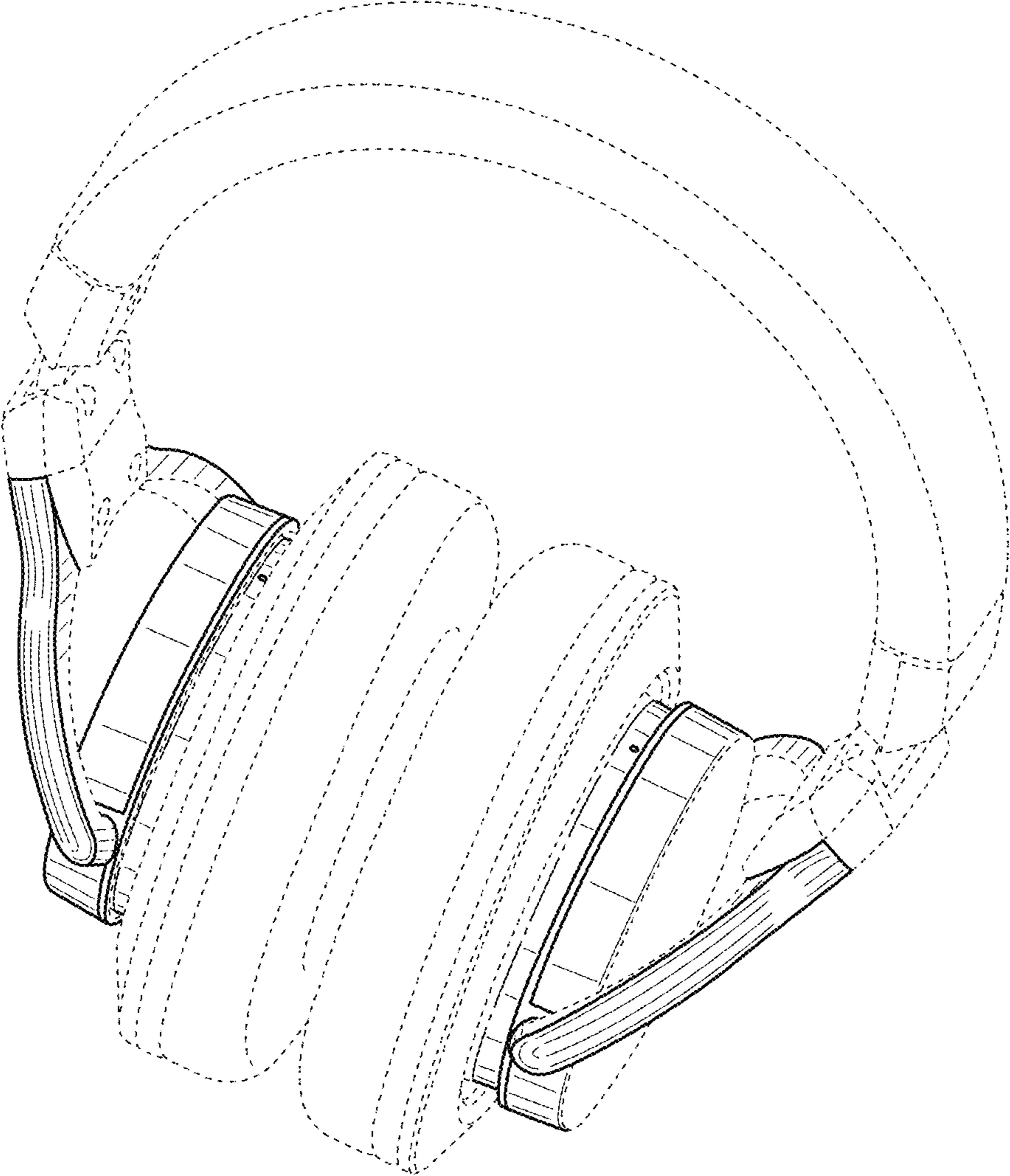


FIG. 2

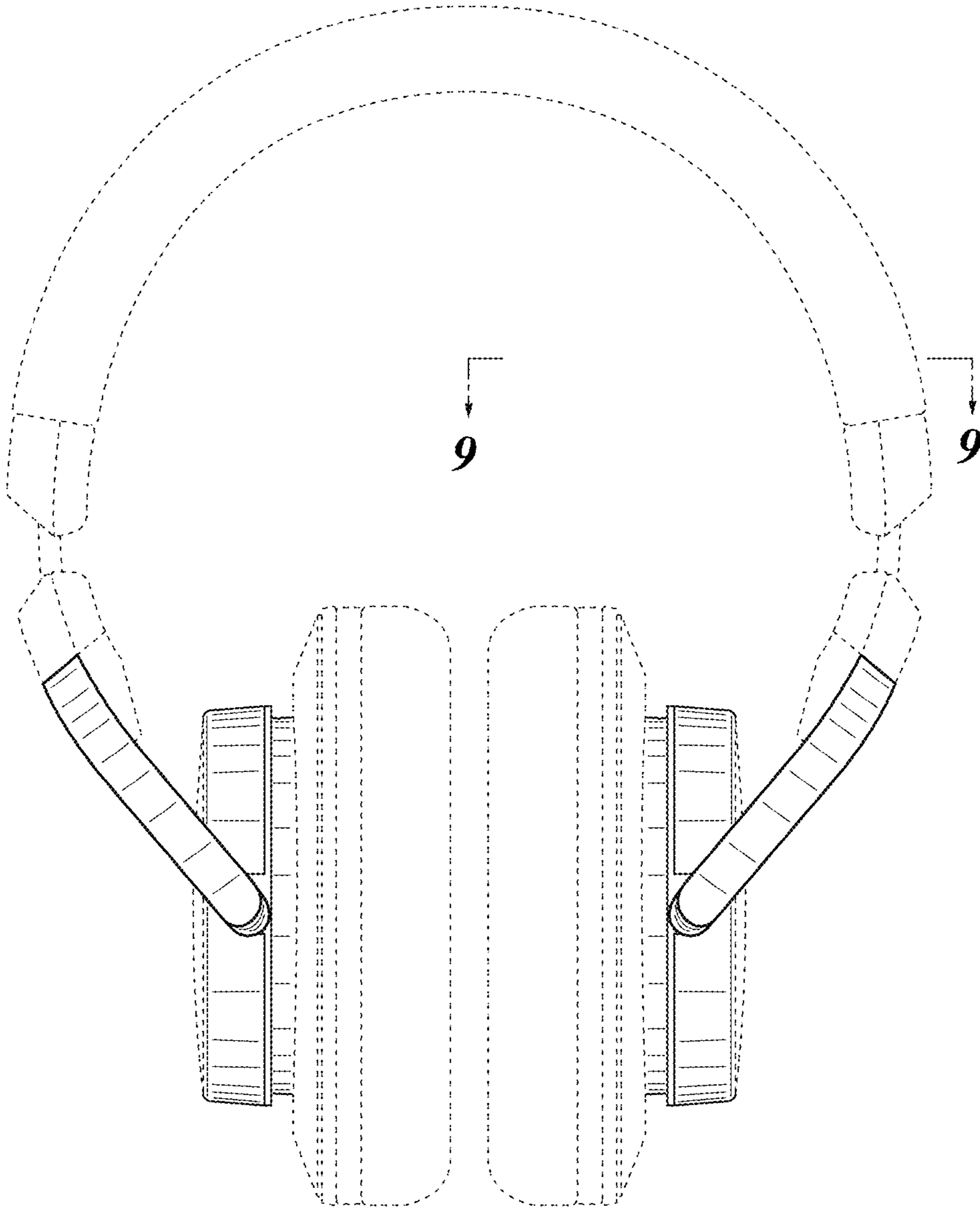


FIG. 3

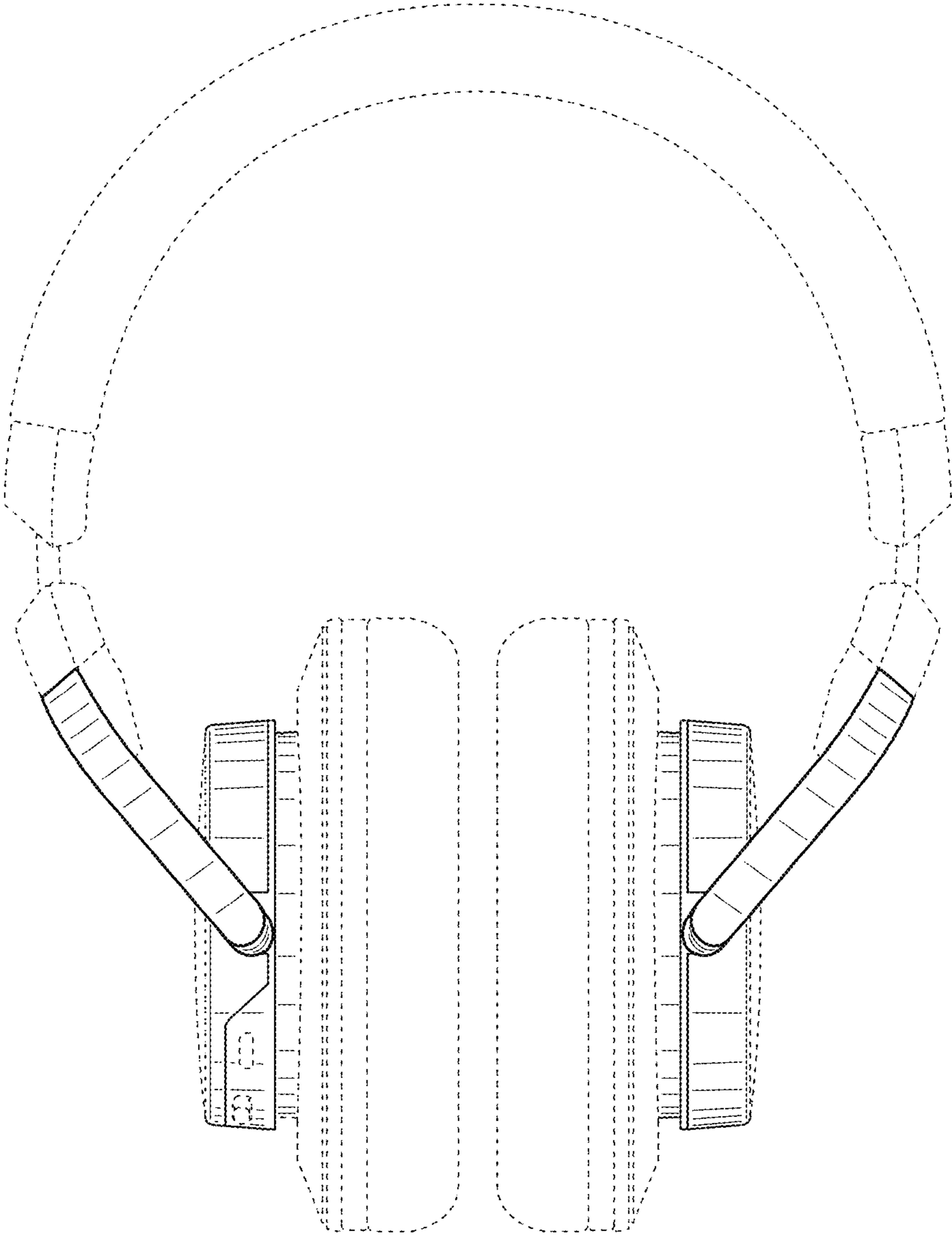


FIG. 4

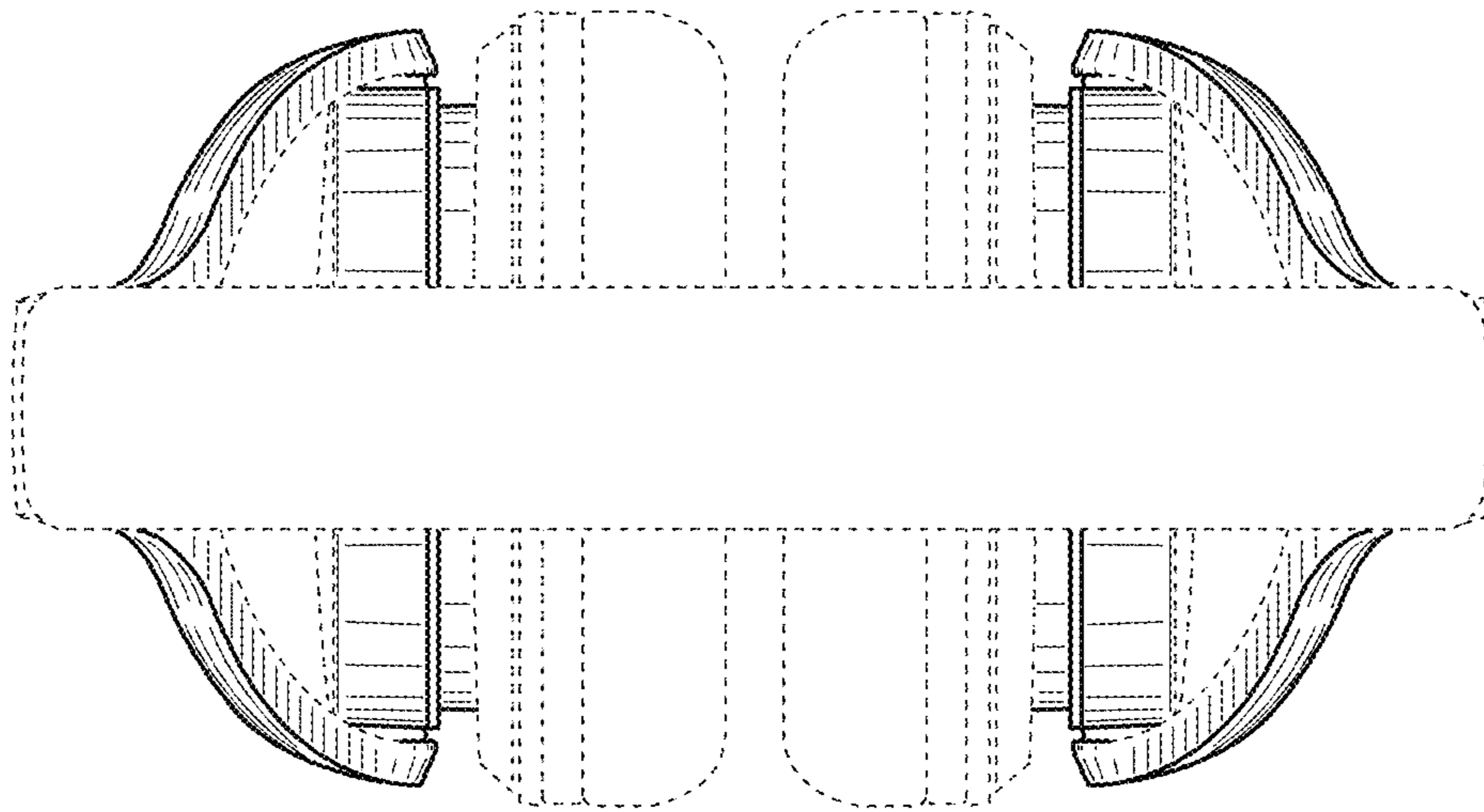


FIG. 5

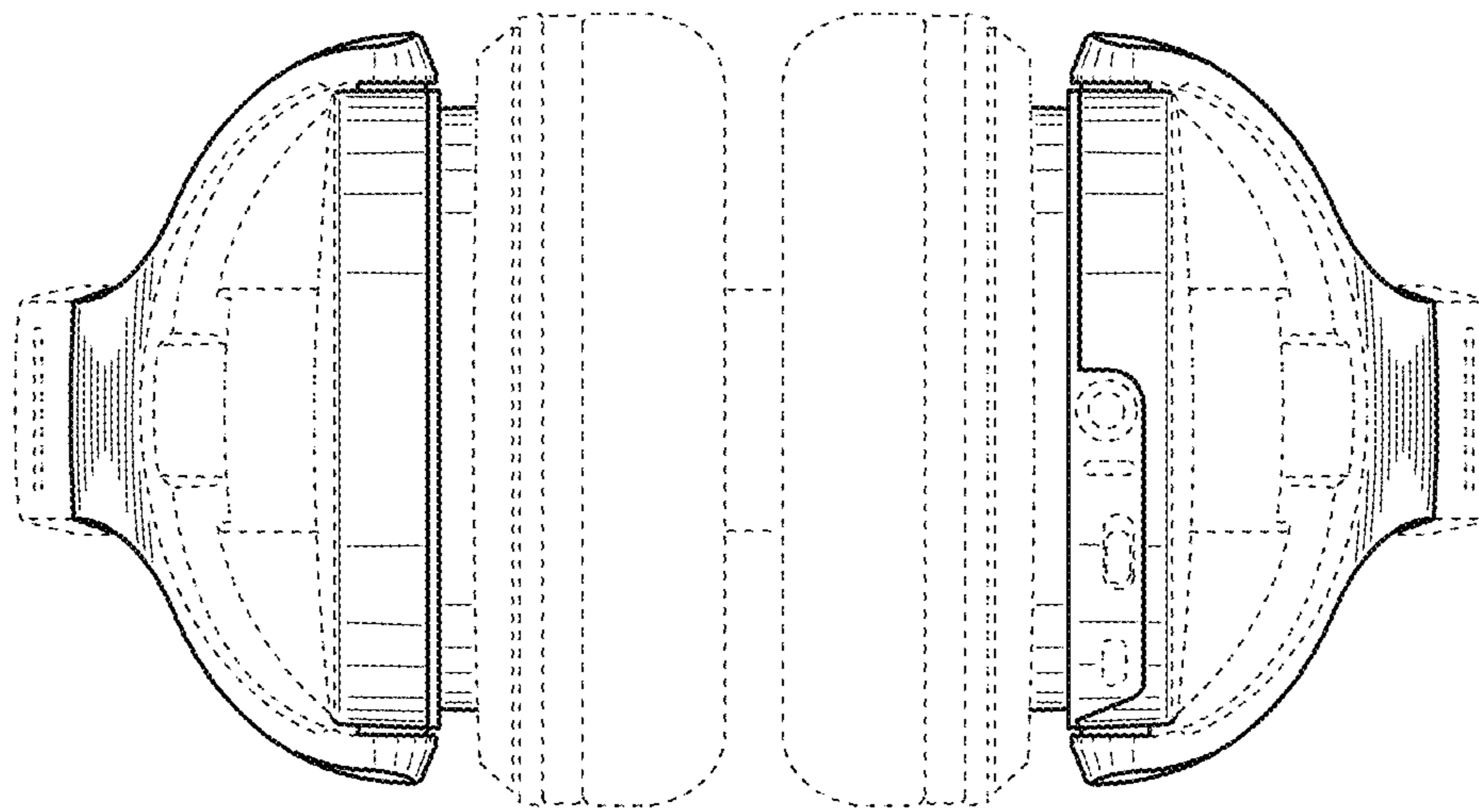


FIG. 6

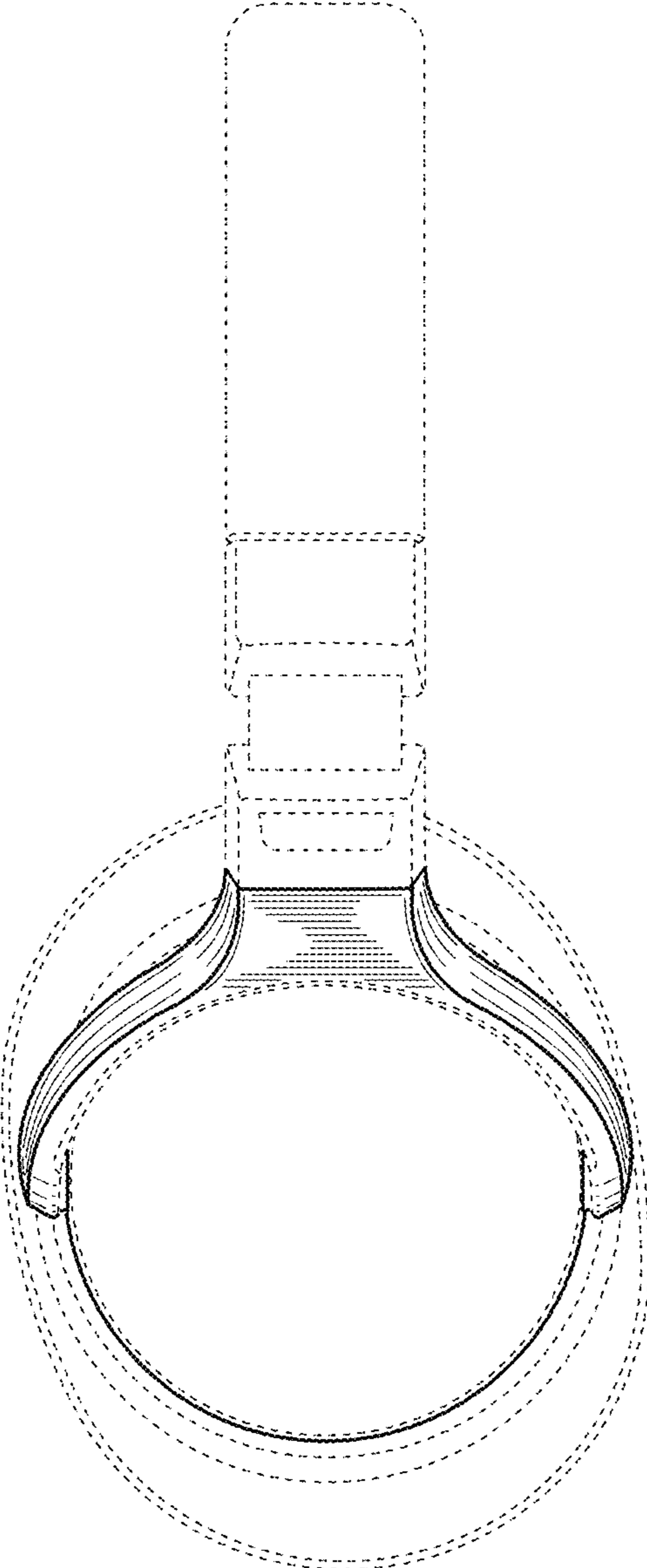


FIG. 7

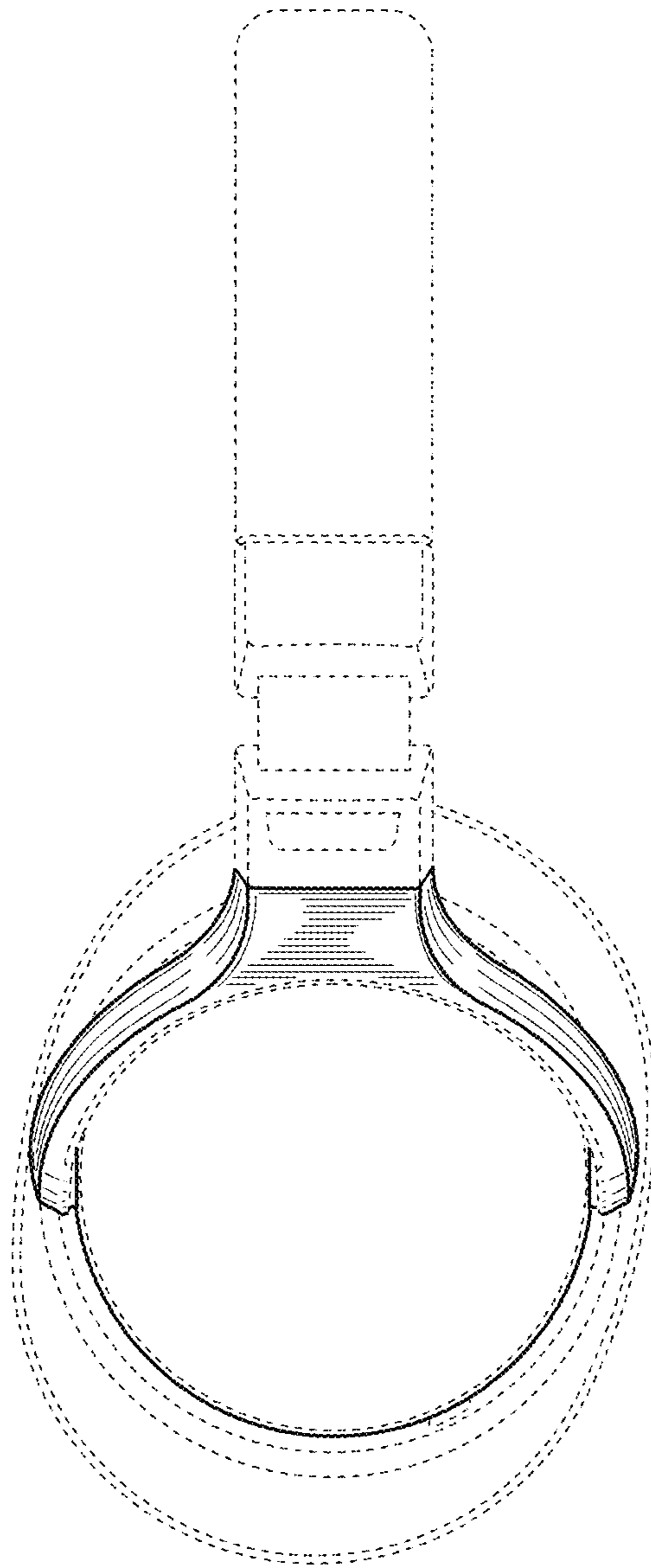


FIG. 8

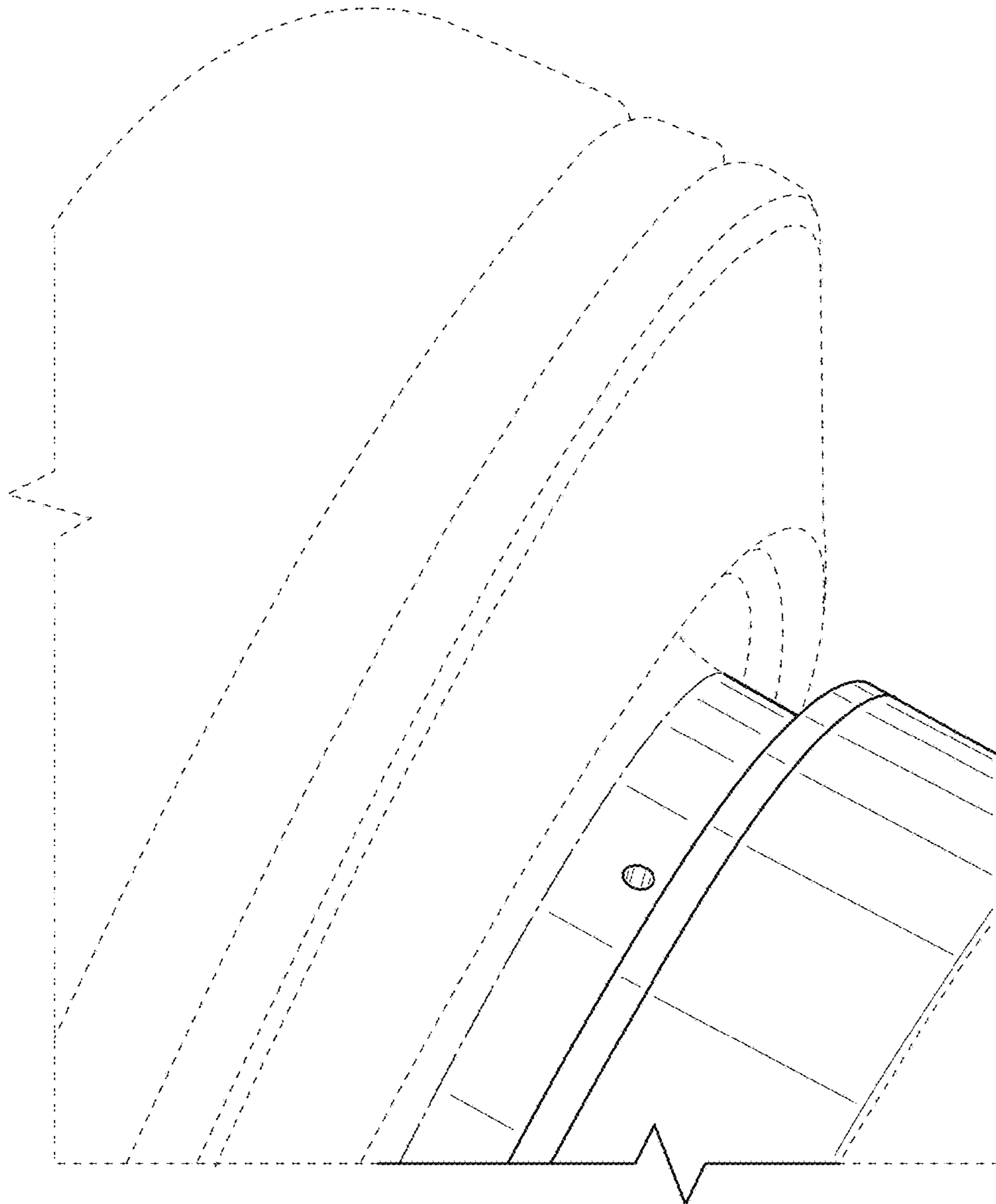


FIG. 9

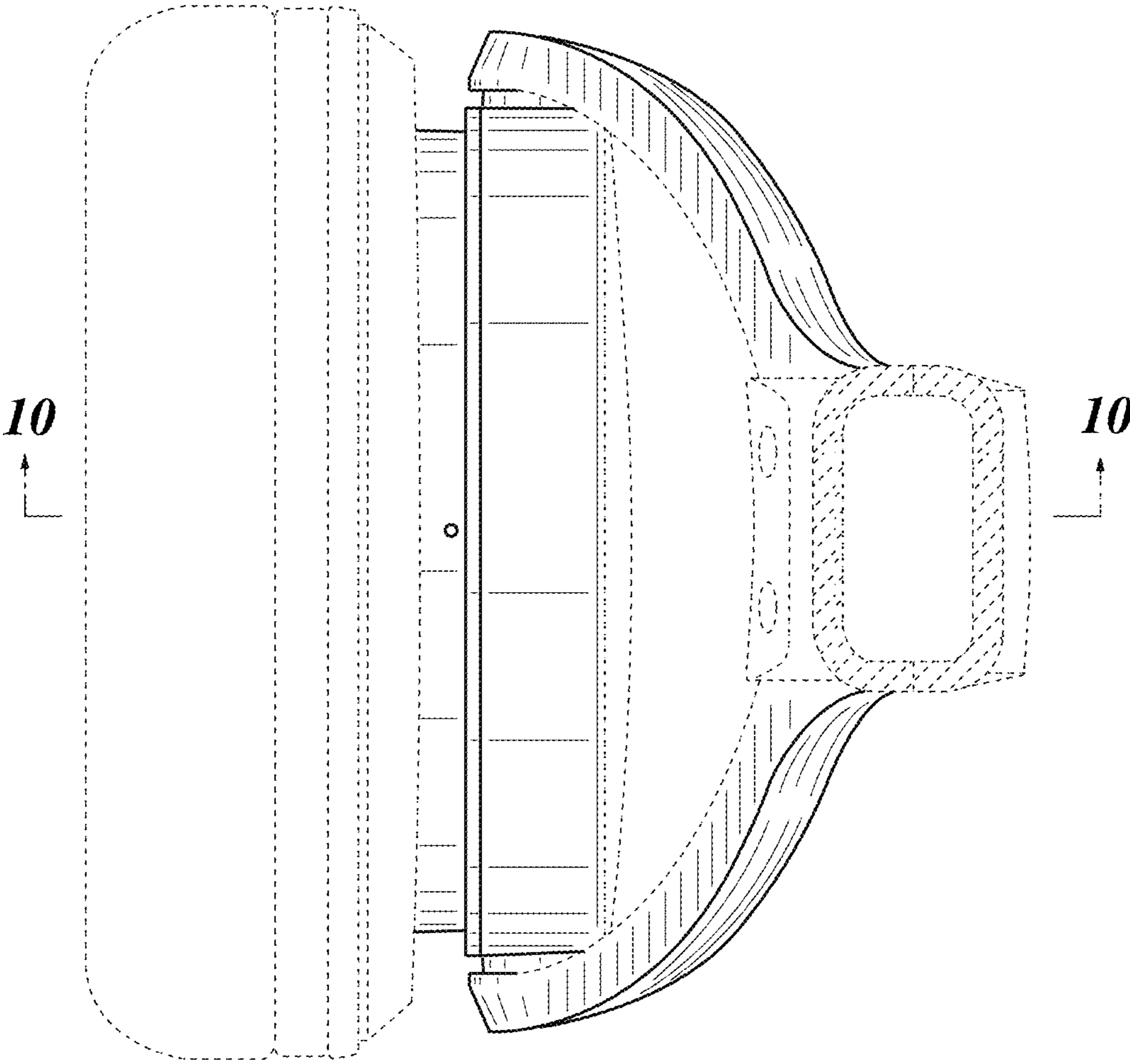


FIG. 10

