



US00D822634S

(12) **United States Design Patent**
Zaihui

(10) **Patent No.:** **US D822,634 S**

(45) **Date of Patent:** **** Jul. 10, 2018**

(54) **BLUETOOTH SPEAKER**

(71) Applicant: **Hu Zaihui**, Shenzhen (CN)

(72) Inventor: **Hu Zaihui**, Shenzhen (CN)

(73) Assignee: **VTIN TECHNOLOGY CO., LIMITED**, Kowloon (HK)

(**) Term: **15 Years**

(21) Appl. No.: **29/578,842**

(22) Filed: **Sep. 26, 2016**

(51) **LOC (11) Cl.** **14-01**

(52) **U.S. Cl.**
USPC **D14/204**

(58) **Field of Classification Search**
USPC D14/167, 168, 170–172, 188, 204, 209.1,
D14/210–216, 219, 221, 222, 224;
181/144, 148, 153, 157, 198; 369/6–12;
381/301–303, 306, 332, 334, 336, 345,
381/361–363, 386–388
CPC G06F 1/1688; H04R 1/02; H04R 1/025;
H04R 1/026; H04R 1/323; H04R 1/403;
H04R 1/2803; H04R 1/2834; H04R 5/02;
H04R 9/06; H04R 2201/021; H04R
2400/00; H04R 2400/07; H04R 2499/11
See application file for complete search history.

(56) **References Cited**

U.S. PATENT DOCUMENTS

D304,586 S * 11/1989 Freadman D14/213
D560,617 S * 1/2008 Poulet D13/158

D569,852 S * 5/2008 Yonehara D14/225
D577,707 S * 9/2008 Lee D14/158
D607,462 S * 1/2010 Chen D14/480.5
D633,098 S * 2/2011 Kim D14/499
D643,401 S * 8/2011 Chen D14/203.3
D648,340 S * 11/2011 Okura D14/480.7
D648,730 S * 11/2011 Huang D14/480.5
D666,163 S * 8/2012 Hsu D14/125

* cited by examiner

Primary Examiner — Derrick Edward Holland

Assistant Examiner — Janice Julia Patyk

(74) *Attorney, Agent, or Firm* — Raj Abhyanker, P.C.

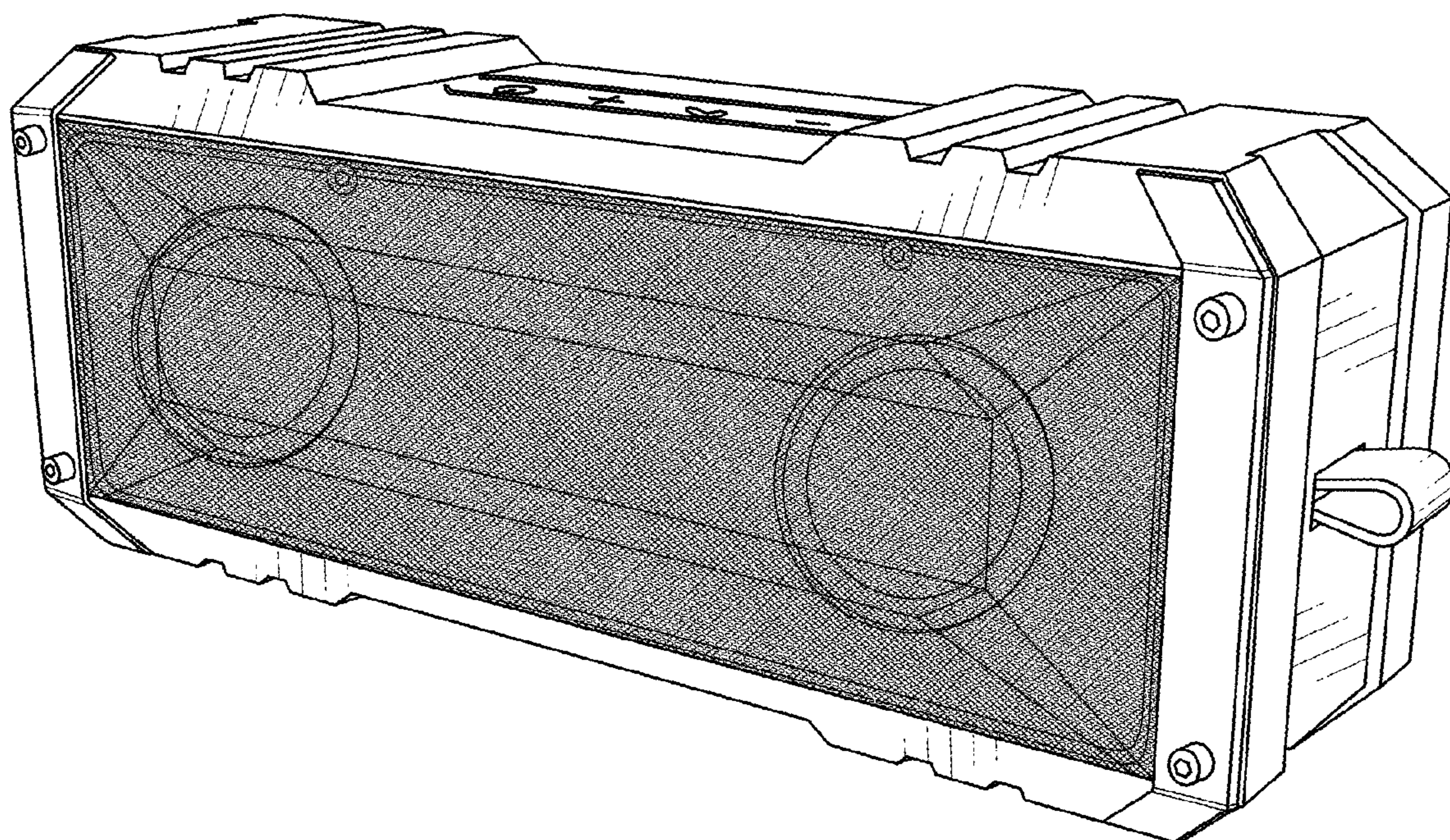
(57) **CLAIM**

The ornamental design for a bluetooth speaker, as shown and described.

DESCRIPTION

FIG. 1 is a top, front, right side perspective view for a bluetooth speaker, showing my new design;
FIG. 2 is a front elevational view of FIG. 1 thereof;
FIG. 3 is a rear elevational view of FIG. 1 thereof;
FIG. 4 is a left side elevational view of FIG. 1 thereof;
FIG. 5 is a right side elevational view of FIG. 1 thereof;
FIG. 6 is a top plan of FIG. 1 thereof; and,
FIG. 7 is a bottom plan view of FIG. 1 thereof.
The broken lines in the figures illustrate the portions of the design that form no part of the claimed design.

1 Claim, 6 Drawing Sheets



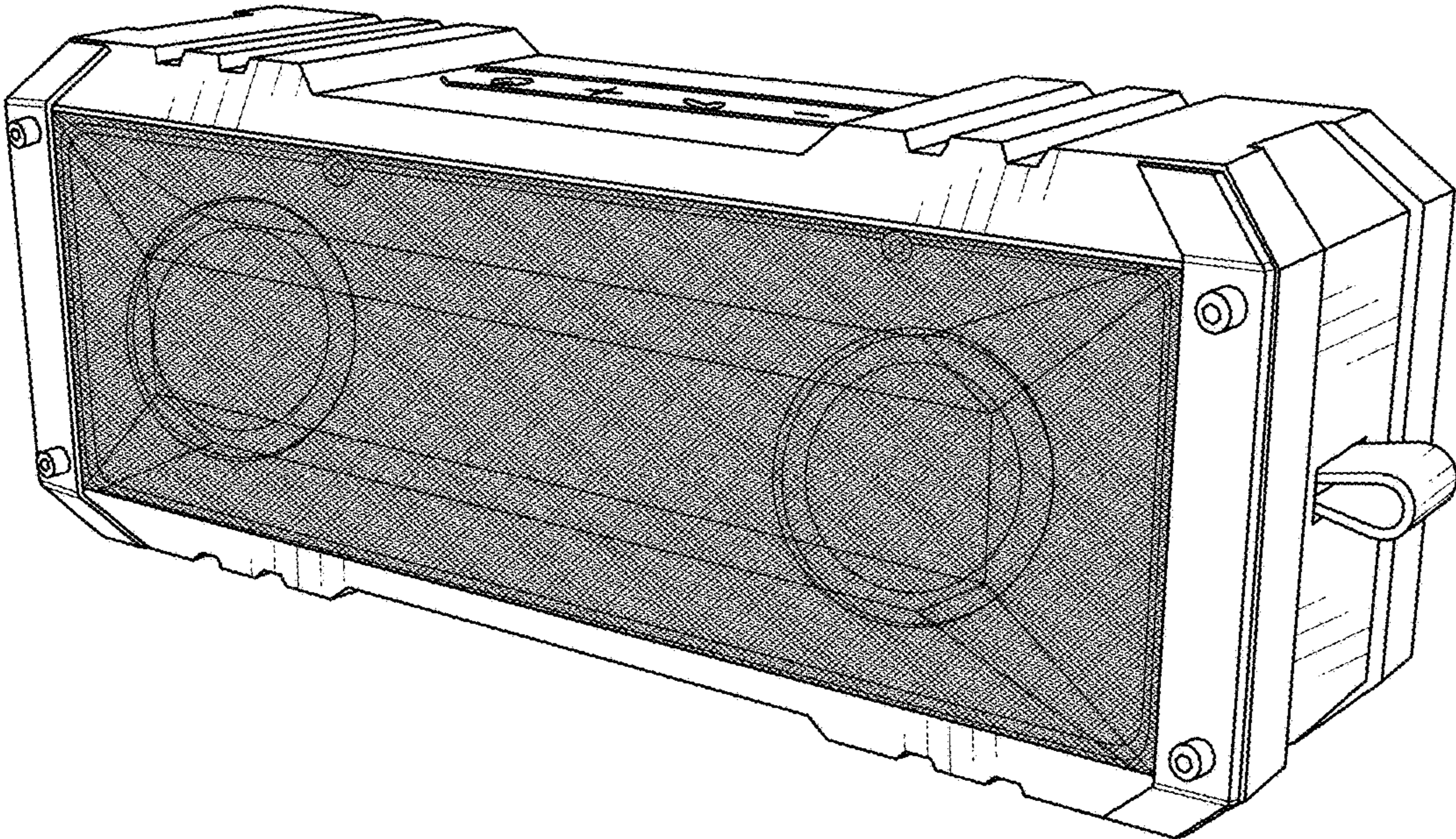


FIG. 1

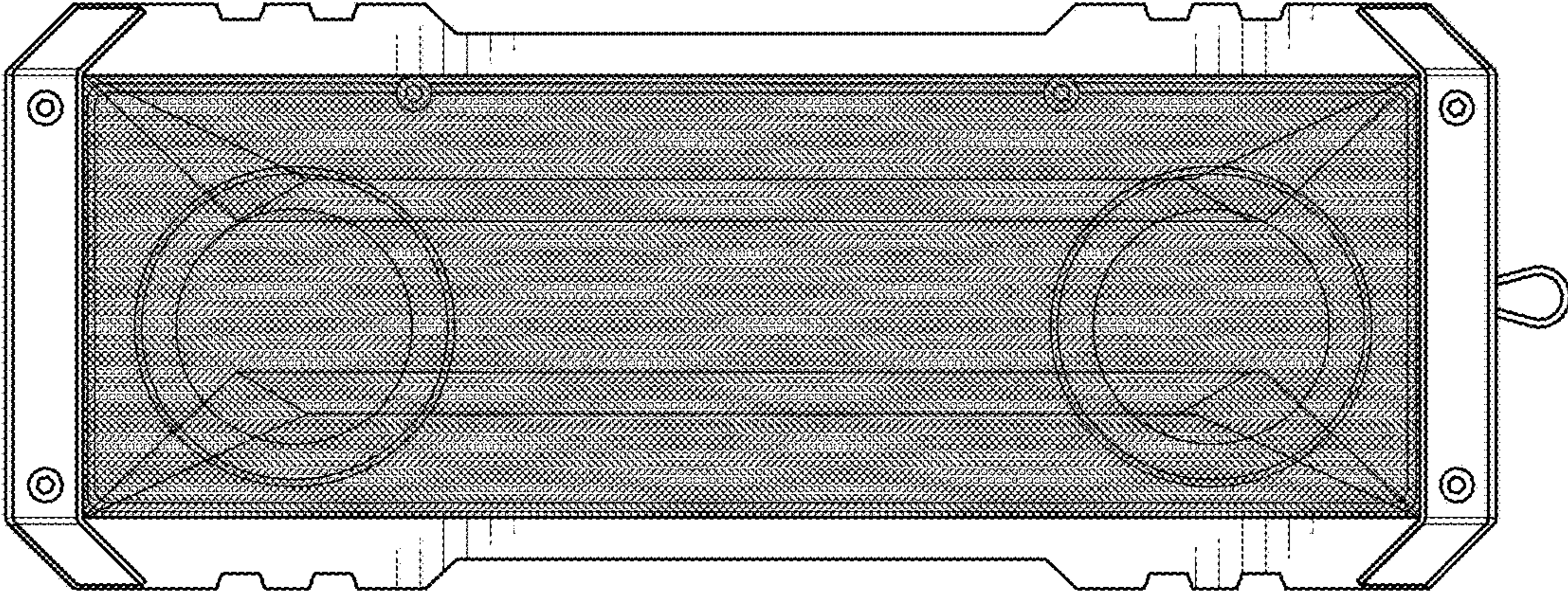


FIG. 2

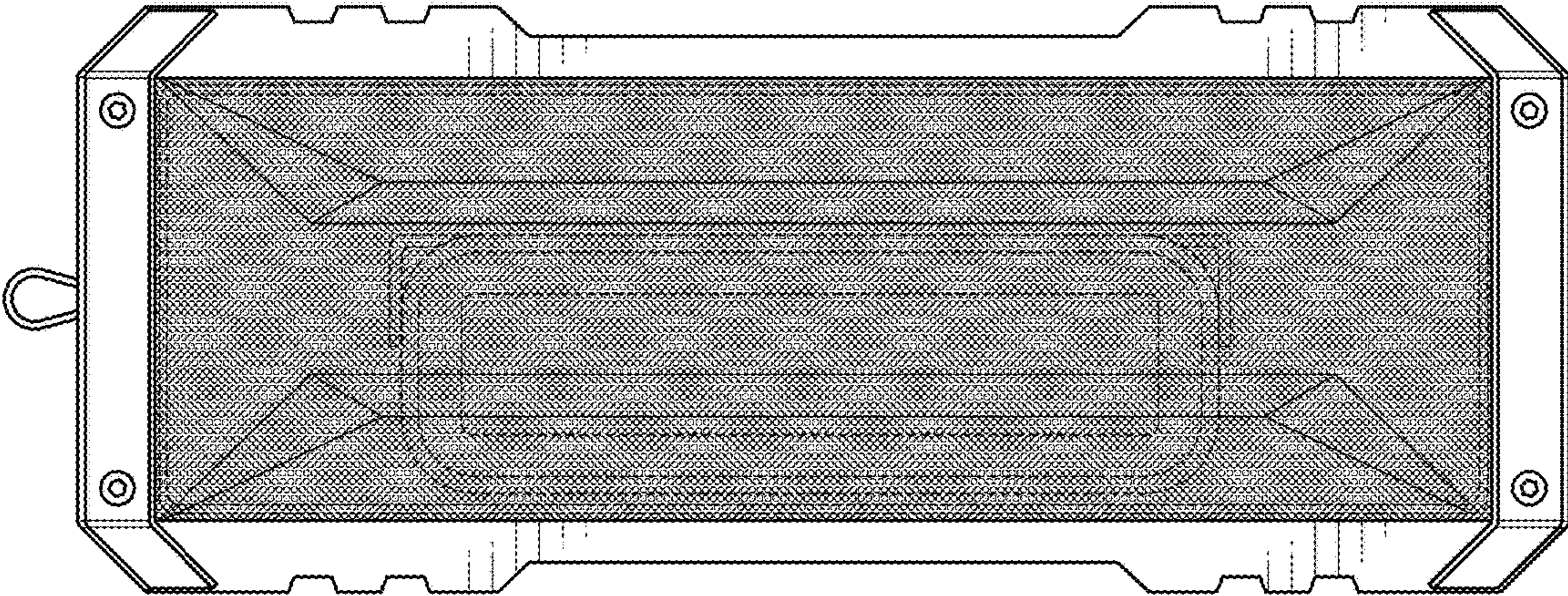


FIG. 3

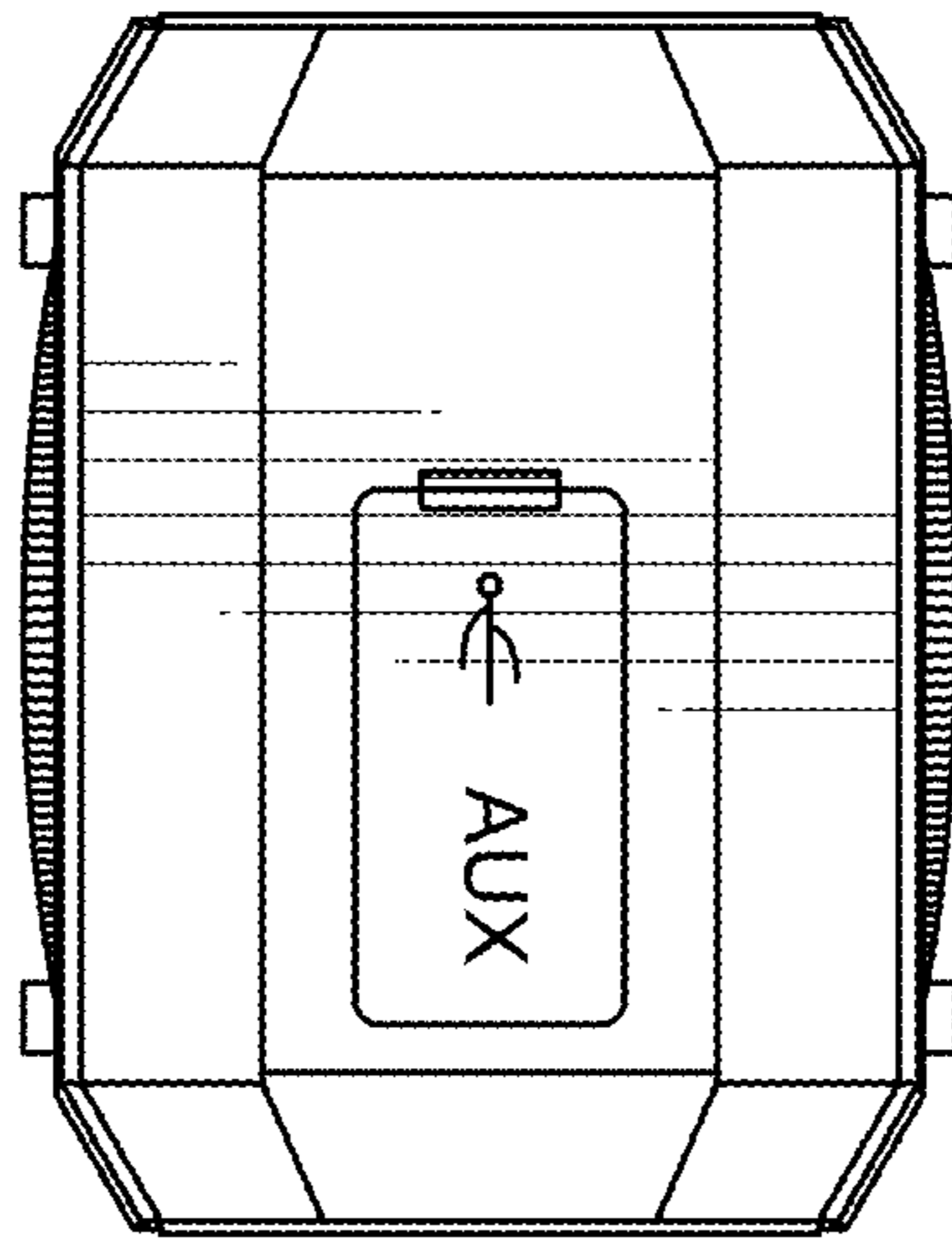


FIG. 4

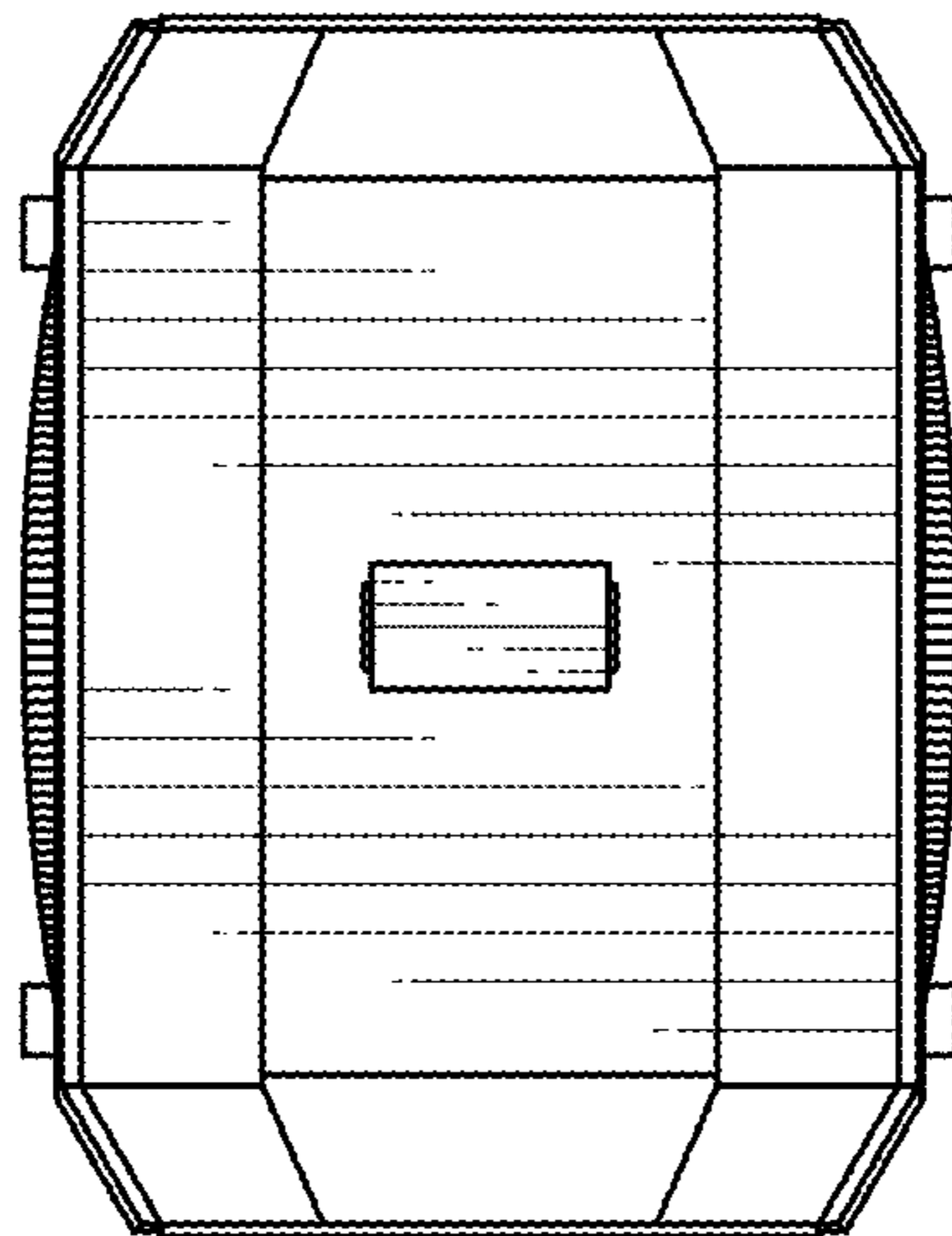


FIG. 5

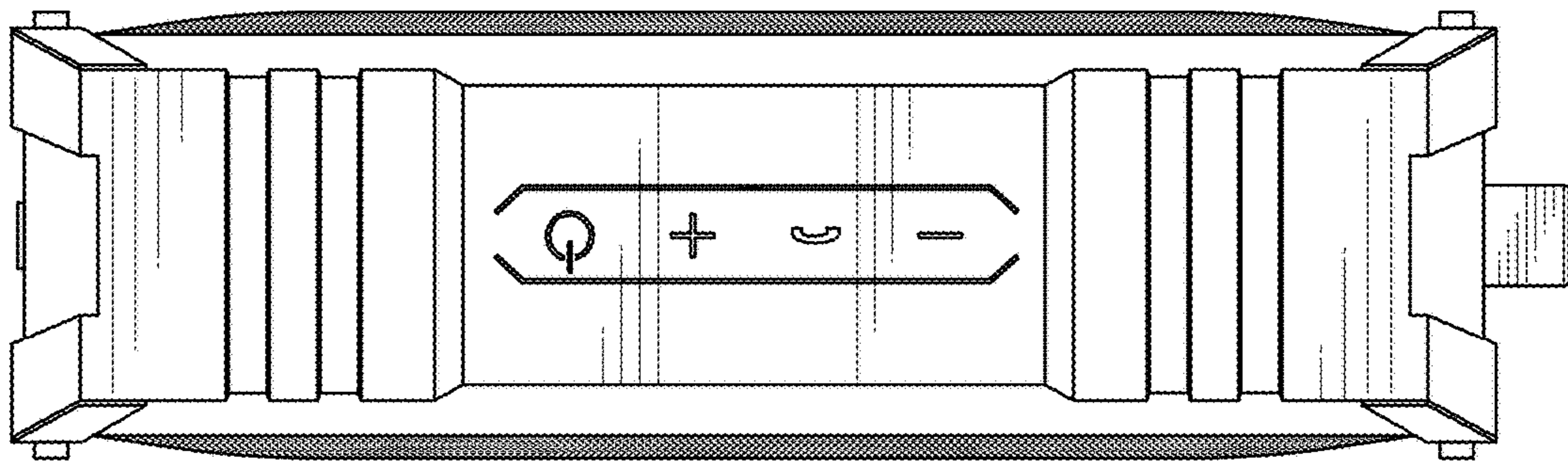


FIG. 6

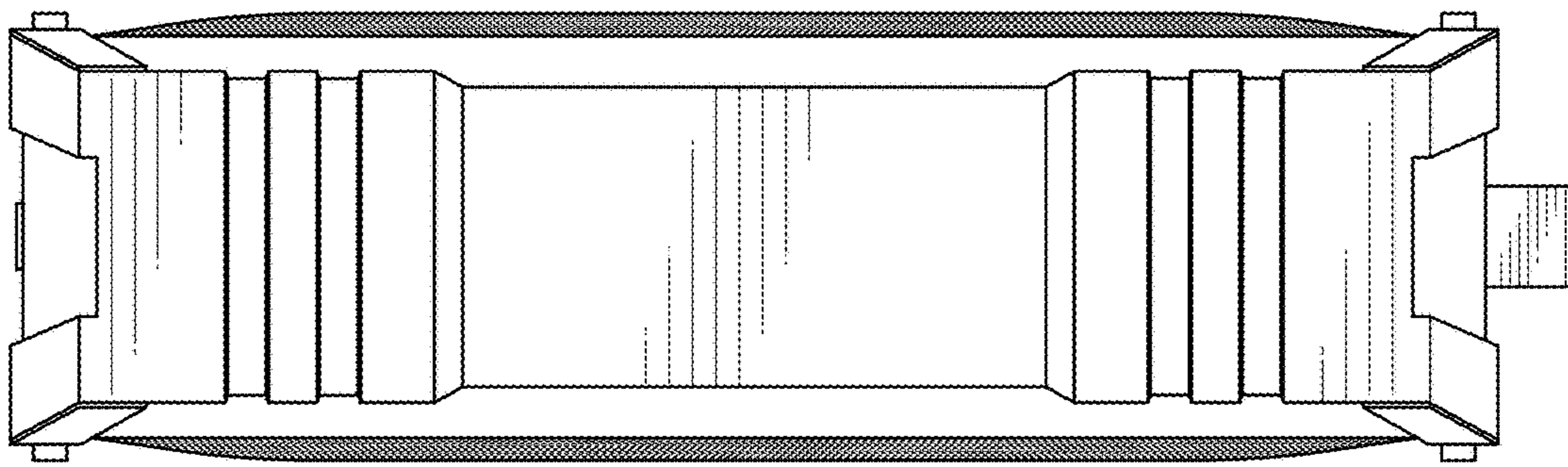


FIG. 7