



US00D822633S

(12) **United States Design Patent**
Yeom

(10) **Patent No.:** **US D822,633 S**
(45) **Date of Patent:** **** Jul. 10, 2018**

(54) **FLEXIBLE ELECTRONIC DEVICE**

(71) Applicant: **LENOVO (BEIJING) CO., LTD.,**
Beijing (CN)

(72) Inventor: **Jihun Yeom, Beijing (CN)**

(73) Assignee: **LENOVO (BEIJING) CO., LTD.,**
Beijing (CN)

(**) Term: **15 Years**

(21) Appl. No.: **29/629,644**

(22) Filed: **Dec. 14, 2017**

(30) **Foreign Application Priority Data**

Nov. 4, 2015 (CN) 2015 3 0435882

(51) **LOC (11) Cl.** **14-03**

(52) **U.S. Cl.**
USPC **D14/138 AB; D14/138 G; D14/341**

(58) **Field of Classification Search**
USPC D14/138 AA, 138 AB, 138 AC, 138 AD,
D14/138 C, 138 R, 138 G, 248, 341, 342,
D14/345, 203.7, 350, 347, 496, 388, 389;
D21/329

CPC G06F 1/1652; G06F 1/1626; G06F 1/1641;
G06F 1/1647; H04M 1/027; H04M
1/0202; H04M 1/0279; H04M 1/0235;
H04M 1/0237; H04M 1/0239; H04M
1/0266; H04M 1/0295; H04M 1/0268

See application file for complete search history.

(56) **References Cited**

U.S. PATENT DOCUMENTS

8,662,731 B2 3/2014 Wang G09F 9/30
349/81
D716,253 S * 10/2014 Lee D14/138 AB
8,890,911 B2 11/2014 Moriwaki G09G 3/3208
345/1.3
D719,542 S 12/2014 Lee D14/138 AB

8,971,029 B2 3/2015 Wong G06F 1/1641
292/341.17
D737,794 S * 9/2015 Lee D14/138 G
D745,516 S 12/2015 Yamazaki D14/341
D749,571 S 2/2016 Park D14/203.4
D757,723 S 5/2016 Kwak D14/345
(Continued)

OTHER PUBLICATIONS

LG Triptych Folding Phone Turns Into a Tablet, Feb. 8, 2011,
[online], [site visited Feb. 23, 2017]. Retrieved from: [url:https://www.concept-phones.com/lg/lg-triptych-folding-phone-turns-tablet/](https://www.concept-phones.com/lg/lg-triptych-folding-phone-turns-tablet/) (Year: 2011).*

(Continued)

Primary Examiner — Jeffrey D Asch

Assistant Examiner — Tracey J Bell

(74) *Attorney, Agent, or Firm* — Oppedahl Patent Law Firm LLC

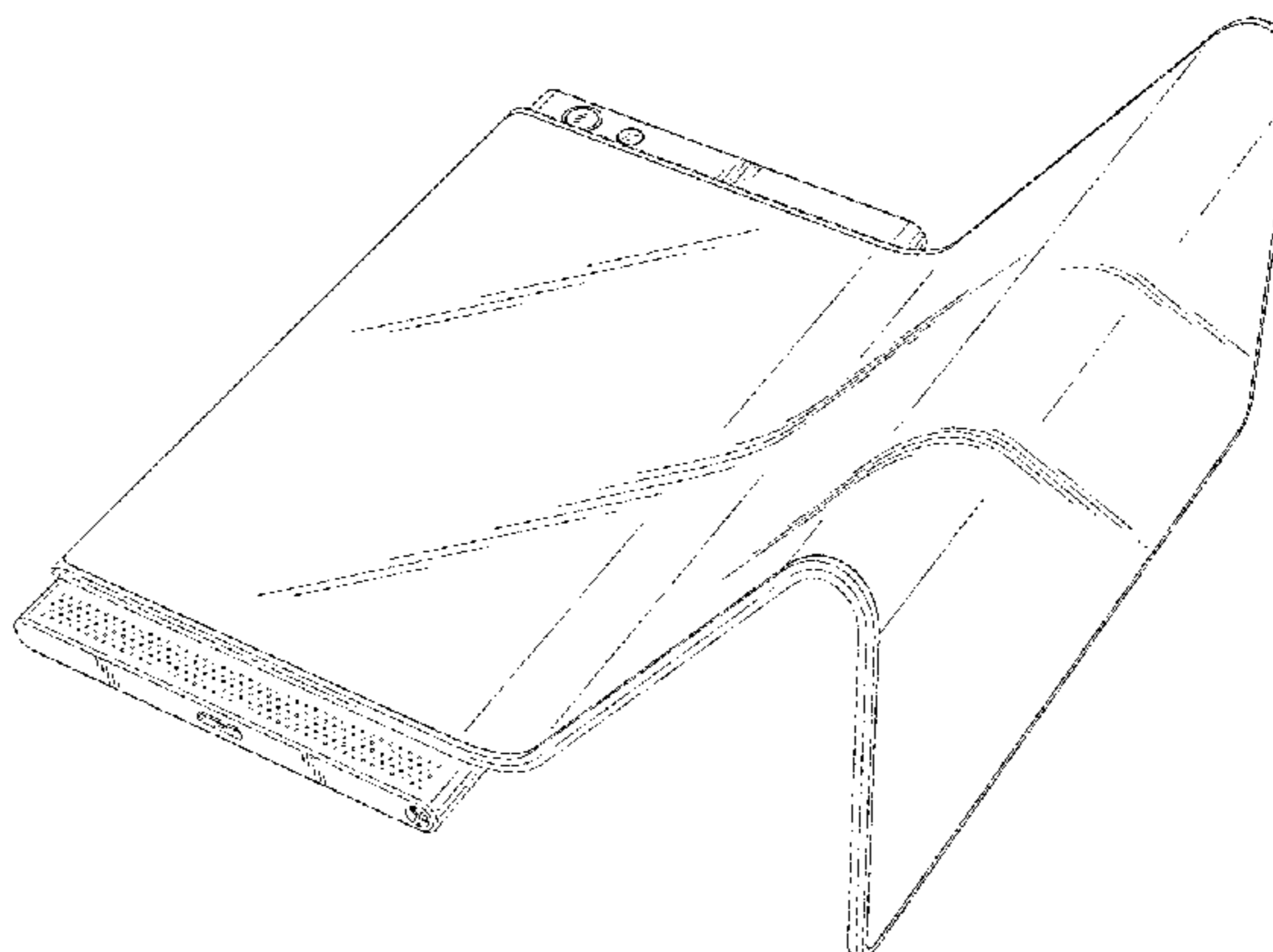
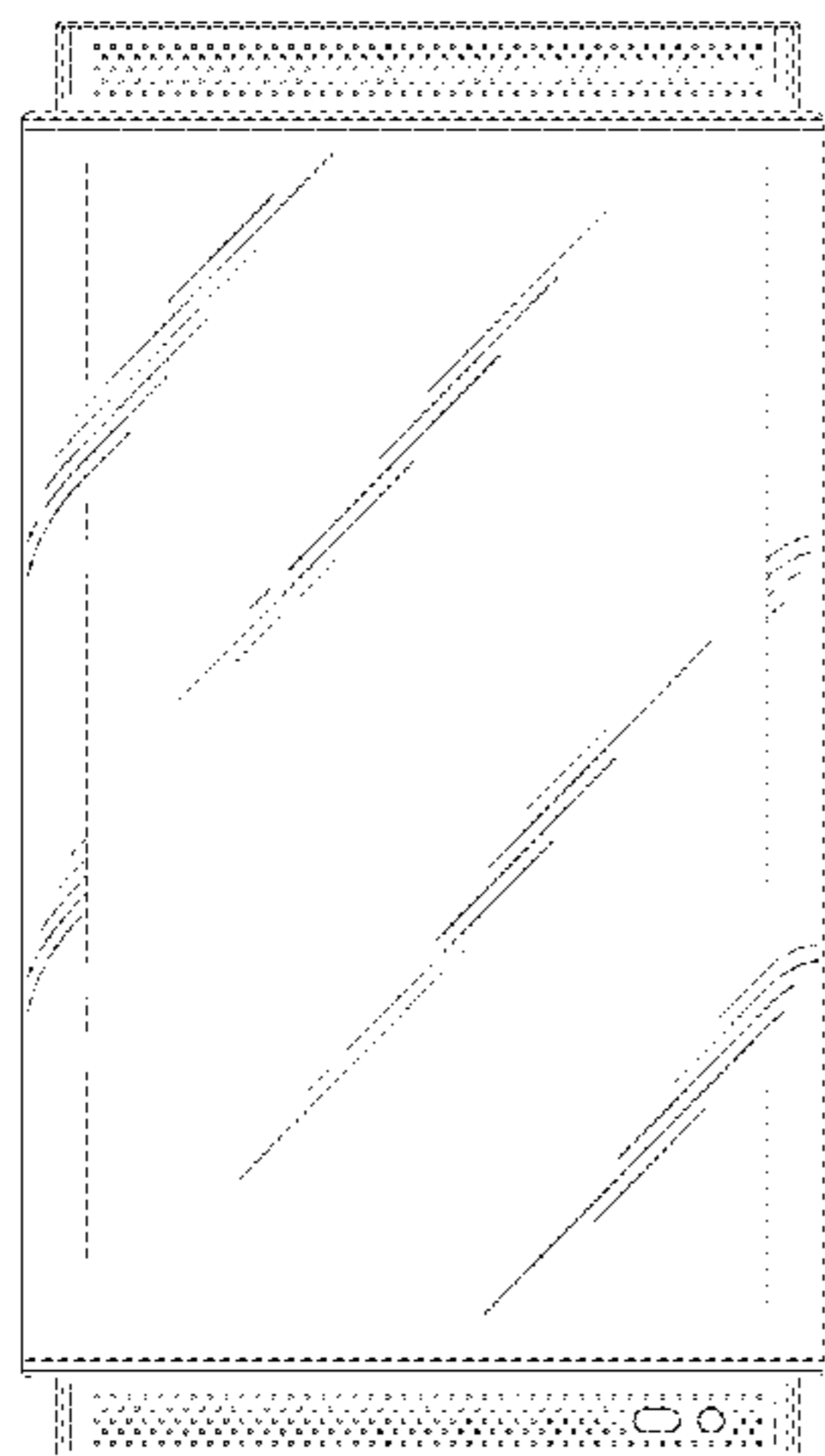
(57) **CLAIM**

The ornamental design for a flexible electronic device, as shown and described.

DESCRIPTION

FIG. 1 is a perspective view of a flexible electronic device showing the new design;
FIG. 2 is a front view thereof;
FIG. 3 is a back view thereof;
FIG. 4 is a left side view thereof;
FIG. 5 is a right side view thereof;
FIG. 6 is a top view thereof; and
FIG. 7 is a bottom view thereof.
FIG. 8 is a perspective view of the flexible electronic device shown in a first bending position; and
FIG. 9 is a front view of FIG. 8.
FIG. 10 is a perspective view of the flexible electronic device shown in a second bending position; and,
FIG. 11 is a front view of FIG. 10.

1 Claim, 7 Drawing Sheets



(56)

References Cited

U.S. PATENT DOCUMENTS

D761,251 S 7/2016 Senda D14/341
 D761,252 S 7/2016 Senda D14/341
 D761,253 S 7/2016 Yamazaki D14/341
 D761,787 S 7/2016 Yamazaki D14/341
 D761,788 S * 7/2016 Yamazaki D14/341
 D761,789 S * 7/2016 Yamazaki D14/341
 D761,790 S * 7/2016 Yamazaki D14/341
 D768,594 S * 10/2016 Szeto D14/138 G
 D770,446 S 11/2016 Cho D14/341
 D770,447 S 11/2016 Endo D14/341
 D774,486 S * 12/2016 Defazio D14/138 G
 D775,598 S 1/2017 Kim D14/138 AB
 D775,601 S * 1/2017 Lee D14/138 AB
 D775,602 S * 1/2017 Lee D14/138 AB
 D777,131 S 1/2017 Lee D14/138 AB
 9,560,189 B2 1/2017 Lee H04M 1/72597
 D779,482 S 2/2017 Kim D14/341
 D784,945 S * 4/2017 Choo D14/138 AB
 D784,979 S 4/2017 Yamazaki D14/341
 9,619,061 B2 4/2017 Lee G06F 3/0412
 D786,210 S 5/2017 Lee D14/138 AB
 9,639,177 B2 5/2017 Kim G06F 3/0345
 D789,922 S * 6/2017 Yamazaki D14/341
 D789,925 S * 6/2017 Browning D14/341
 D790,497 S * 6/2017 Kim D14/138 AA
 D790,537 S 6/2017 Bae D14/138 AB
 9,671,870 B2 6/2017 Kang G06F 3/017
 9,678,582 B2 6/2017 Kwak G06F 3/0487
 D808,952 S * 1/2018 Defazio D14/341
 9,927,839 B2 * 3/2018 Kummer G06F 1/1641
 2011/0102976 A1 * 5/2011 Chen G06F 1/1616
 361/679.01
 2011/0102977 A1 5/2011 Chen G06F 1/1616
 361/679.01
 2011/0148797 A1 * 6/2011 Huitema G06F 1/1615
 345/173
 2011/0188189 A1 8/2011 Park G05B 11/01
 361/67.05
 2012/0019482 A1 * 1/2012 Wang G06F 1/1652
 345/175
 2012/0280924 A1 * 11/2012 Kummer H04M 1/0235
 345/173
 2012/0307423 A1 12/2012 Bohn G06F 1/1641
 361/679.01
 2013/0037228 A1 2/2013 Verschoor G06F 1/1652
 160/377
 2013/0222998 A1 * 8/2013 Cho G06F 1/1601
 361/679.27
 2013/0307816 A1 11/2013 Lee G06F 1/1652
 346/174
 2014/0098034 A1 * 4/2014 Hack G06F 1/1677
 345/173
 2015/0049428 A1 2/2015 Lee G06F 1/1641
 361/679.27

2015/0169006 A1 8/2015 Chong G09G 3/20
 345/173
 2015/0317007 A1 11/2015 Yanagawa G06F 1/1652
 463/37
 2016/0205792 A1 * 7/2016 Ahn H05K 5/0017
 40/779
 2016/0274718 A1 * 9/2016 Burr G06F 3/0416
 2016/0307545 A1 10/2016 Lee G09G 5/38
 2016/0324021 A1 11/2016 Takayanagi G06F 1/1652
 2016/0357318 A1 12/2016 Chan G06F 1/1626
 2017/0023979 A1 * 1/2017 Yamazaki G06F 1/1652
 2017/0031518 A1 2/2017 An G06F 3/0418
 2017/0060188 A1 3/2017 Han G06F 1/1652
 2017/0075388 A1 * 3/2017 Yee G06F 1/1652
 2017/0075389 A1 3/2017 Yeom G06F 1/1652
 2017/0153671 A1 6/2017 Yamazaki G06F 1/1652
 2017/0162171 A1 6/2017 Cho G09G 5/02
 2017/0199549 A1 * 7/2017 Yeom G06F 1/1652
 2017/0199712 A1 7/2017 Lee G06F 3/14
 2017/0242484 A1 * 8/2017 Masihy G06F 3/016
 2017/0262295 A1 * 9/2017 Kim G06F 3/1431
 2017/0287385 A1 * 10/2017 Lian G09G 3/2092
 2017/0315711 A1 * 11/2017 Adams G06F 1/1624
 2018/0004251 A1 * 1/2018 Magi G06F 1/1626
 2018/0004252 A1 * 1/2018 Ahrens G06F 1/1652

OTHER PUBLICATIONS

Samsung Project Valley Smartphone Folds, Feb. 2, 2017, [online], [site visited Feb. 23, 2017]. Retrieved from url:<https://www.concept-phones.com/samsung/samsung-project-valley-smartphone-folds-unfolds-runs-tizen-os/> (Year: 2017).*

Youm Flexible OLED Display Commercial: Samsung CES 2013, Jan. 9, 2013, [online], [site visited Jan. 31, 2017]. Retrieved from url: <https://www.youtube.com/watch?v=6OYTyl3ipgk> (Year: 2013).*

The Scroll is Back! Flexible Device Has Scrollable Part Coming Out, Kelvin, Concept Phones, Mar. 14, 2018, [online], [site visited Apr. 10, 2018]. Retrieved from url:<https://www.concept-phones.com/samsung/scroll-flexible-device-scrollable-part-coming/> (Year: 2018).*

2014 Samsung Flexible OLED Display Phone and Tab Concept, Sep. 10, 2013, [online], [site visited Jan. 31, 2017]. Retrieved from <url:<https://www.youtube.com/watch?v=MKG7XRsg9KQ>>.

Samsung Project Valley Smartphone Folds, Feb. 2, 2017, [online], [site visited Feb. 23, 2017]. Retrieved from <url:<https://www.concept-phones.com/samsung/samsung-project-valley-smartphone-folds-unfolds-runs-tizen-os/>>.

LG Triptych Folding Phone Turns into a Tablet, Feb. 8, 2011, [online], [site visited Feb. 23, 2017]. Retrieved from <url:<https://www.concept-phones.com/lg/lg-triptych-folding-phone-turns-tablet/>>.

* cited by examiner

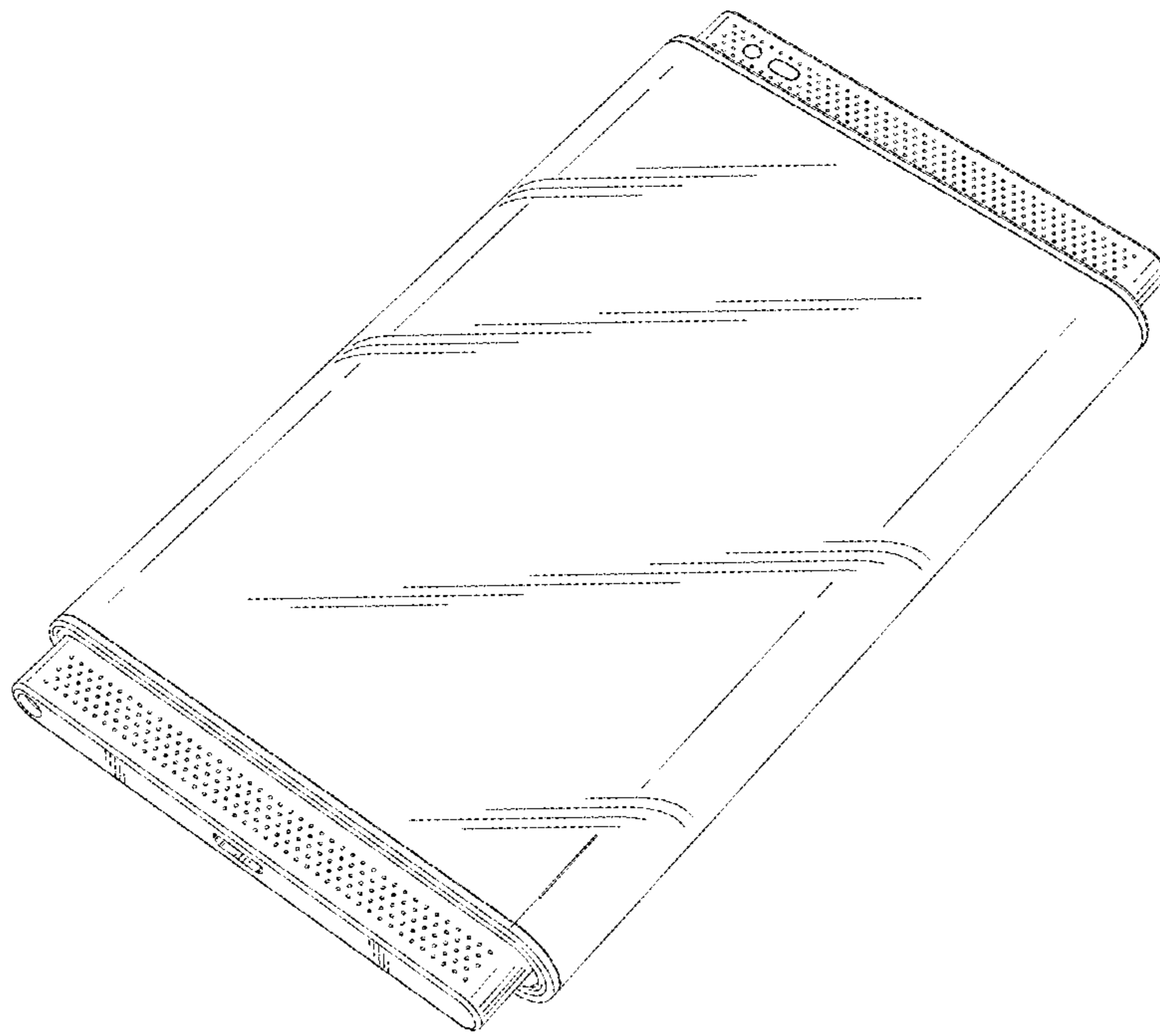


Fig. 1

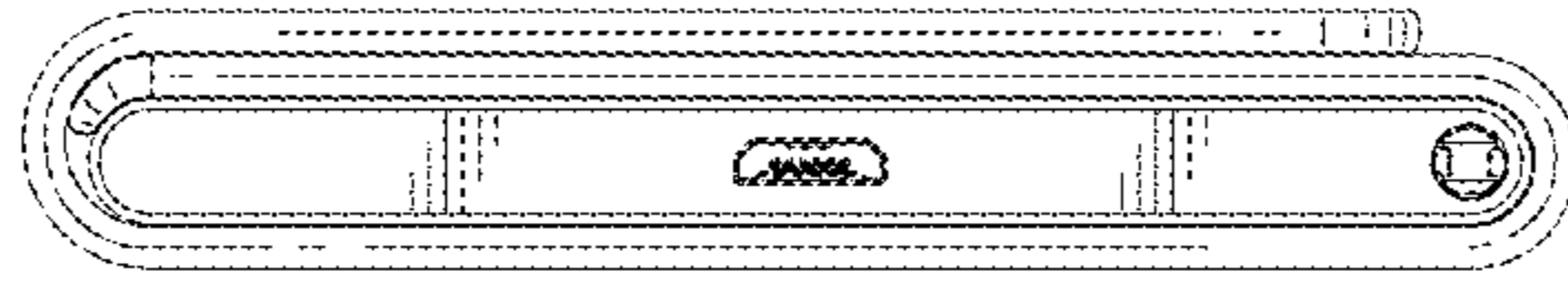


Fig. 2

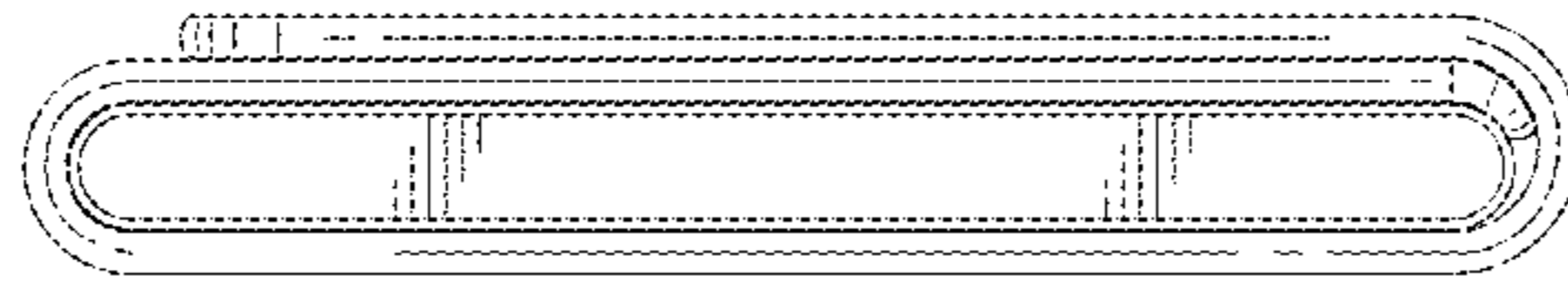


Fig. 3

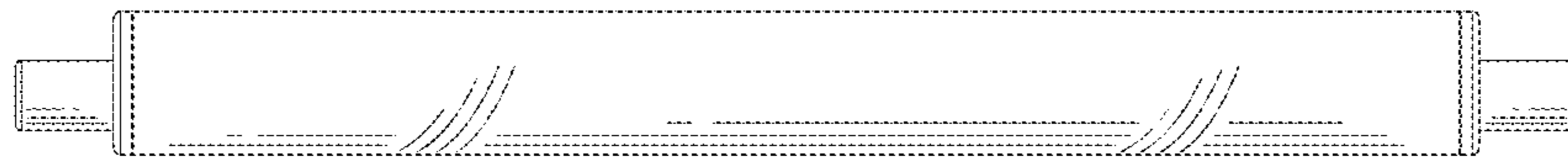


Fig. 4

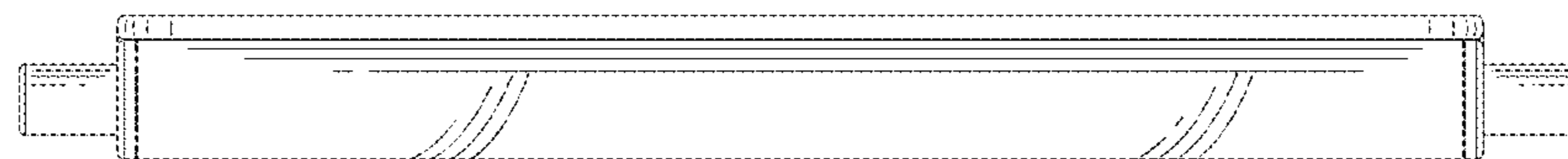


Fig. 5

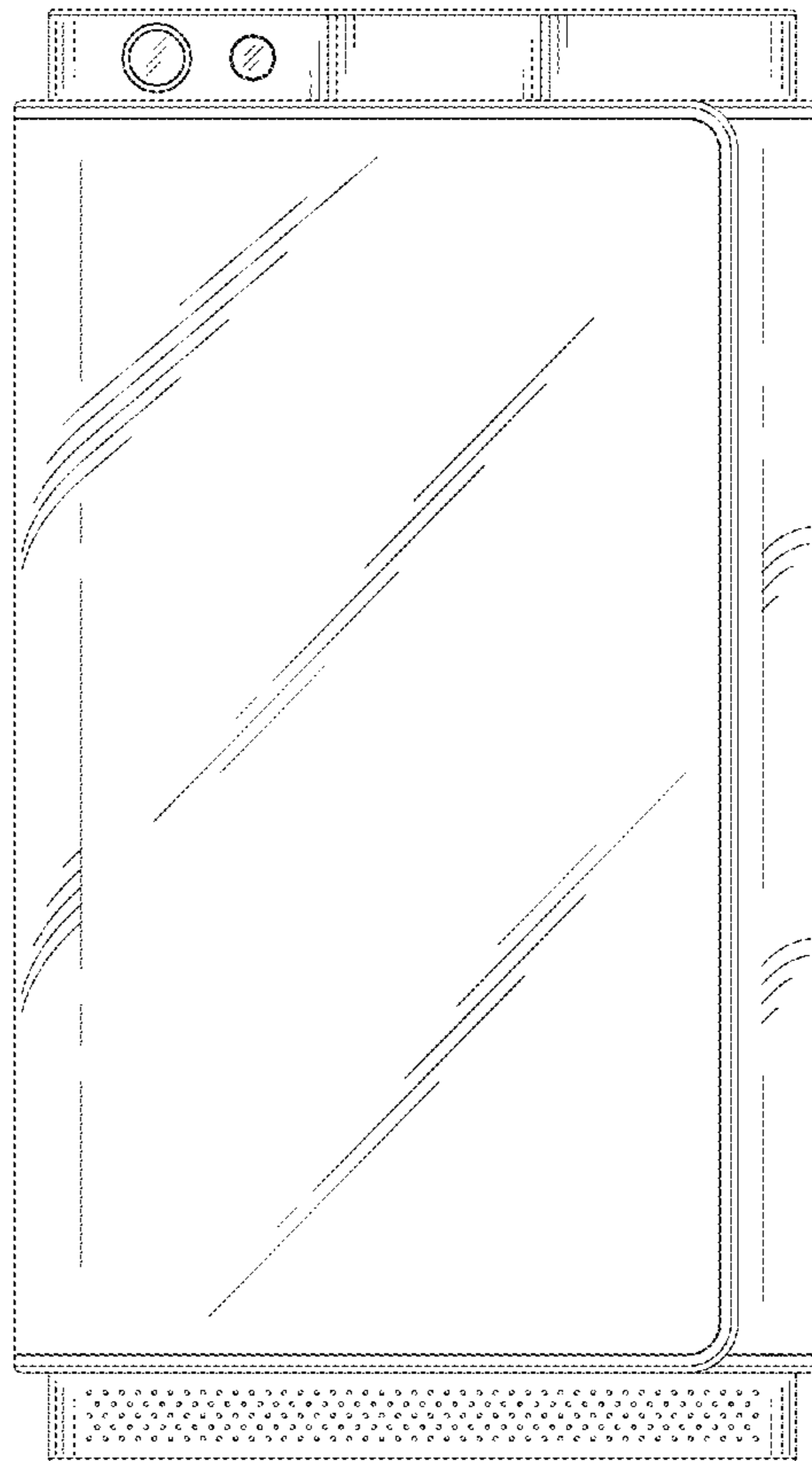


Fig. 6

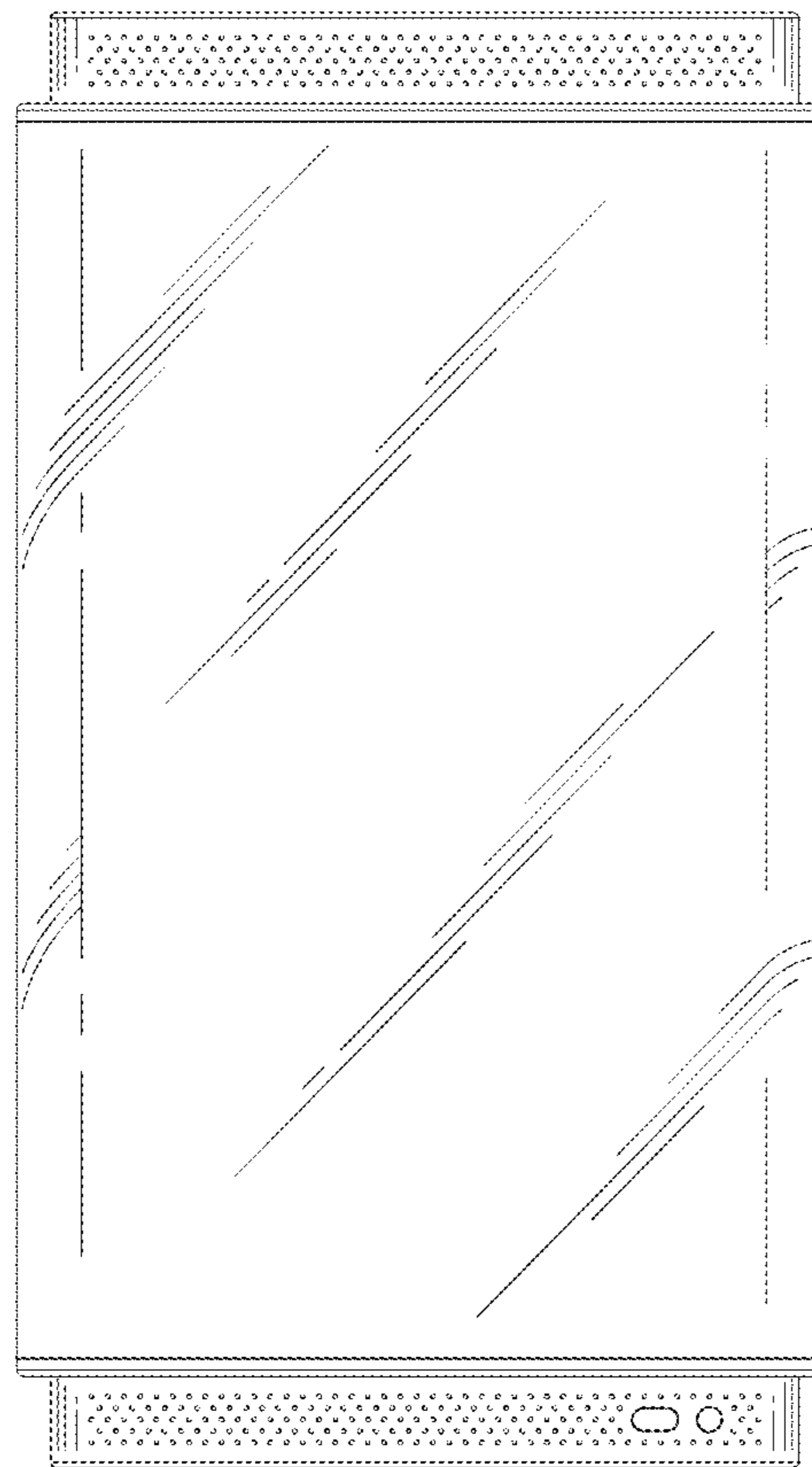


Fig. 7

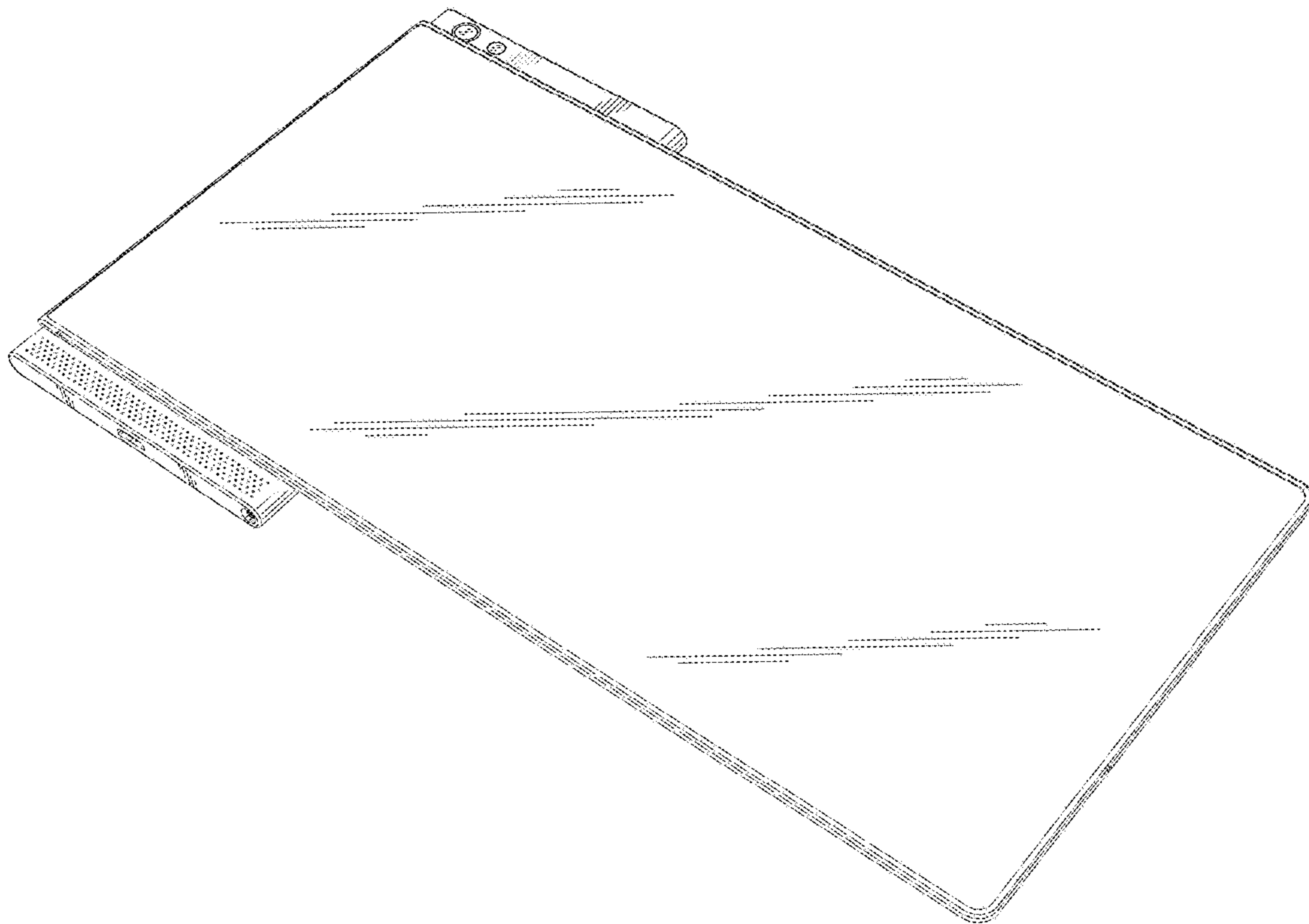


Fig. 8



Fig. 9

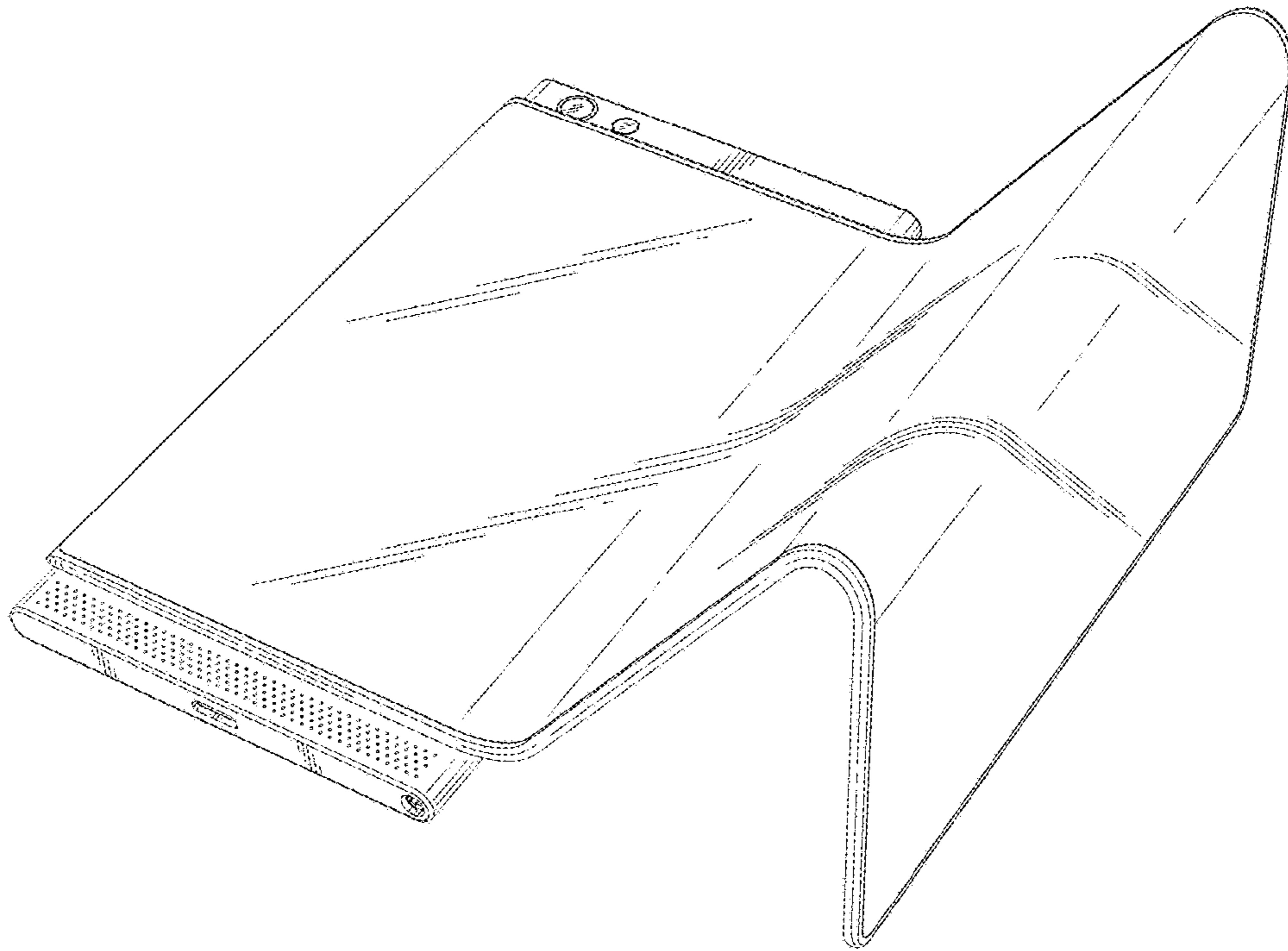


Fig. 10

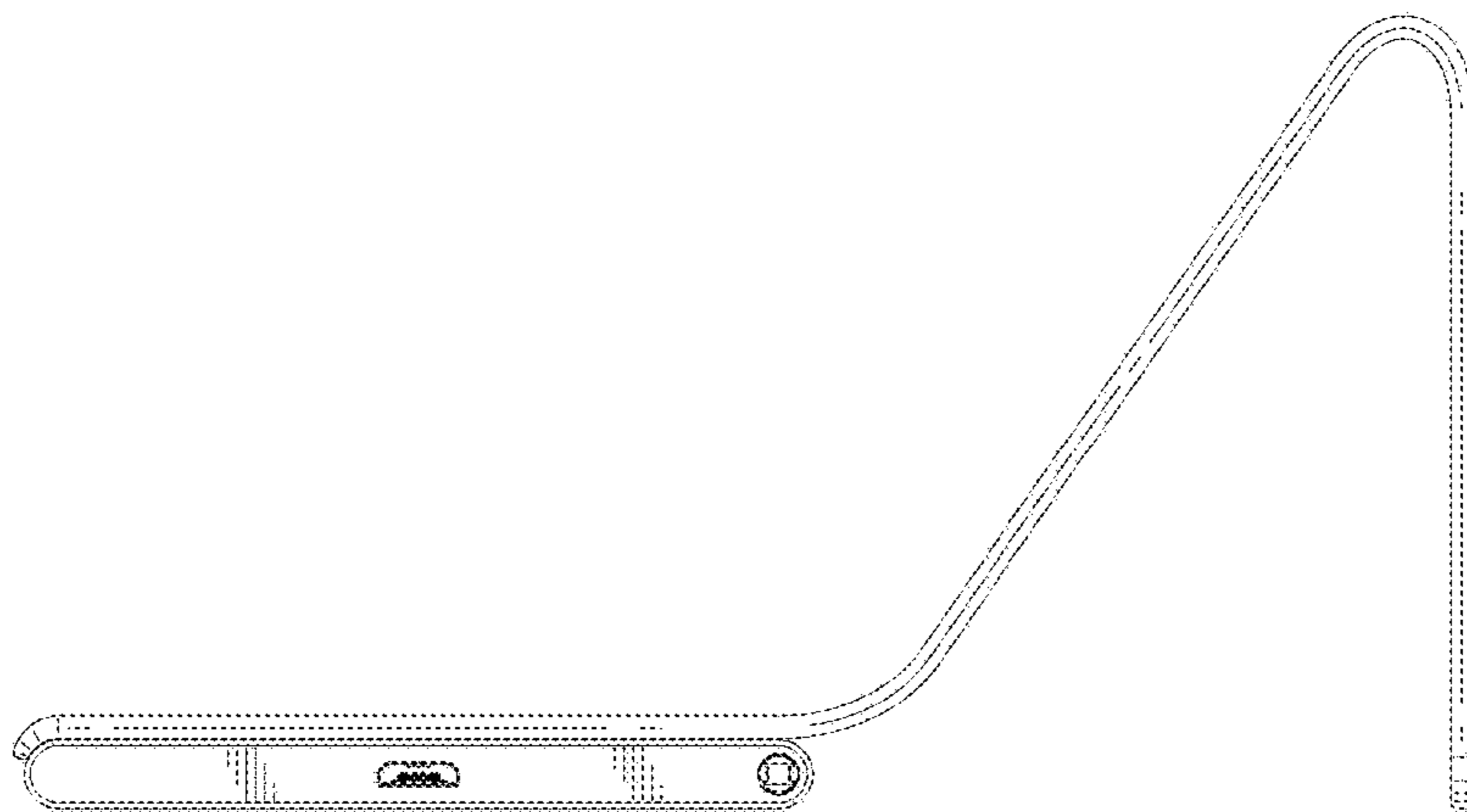


Fig. 11