



US00D822631S

(12) **United States Design Patent**
Cam et al.

(10) **Patent No.:** **US D822,631 S**
(45) **Date of Patent:** **** Jul. 10, 2018**

(54) **ELECTRODE HOLDER**

DESCRIPTION

(71) Applicant: **Hydrus Technology Pty. Ltd.**, Brisbane (AU)

(72) Inventors: **David Victor Cam**, Brisbane (AU);
John Frederick Ellers, Brisbane (AU);
Brook Douglas Hill, Brisbane (AU)

(73) Assignee: **HYDRUS TECHNOLOGY PTY. LTD.**, Queensland (AU)

(**) Term: **15 Years**

(21) Appl. No.: **29/564,165**

(22) Filed: **May 11, 2016**

(30) **Foreign Application Priority Data**

Nov. 11, 2015 (AU) 201516027

(51) **LOC (11) Cl.** **13-99**

(52) **U.S. Cl.**
USPC **D13/199**

(58) **Field of Classification Search**
USPC D13/101, 117, 118, 123, 180, 182, 184,
D13/199; D23/207, 386, 418, 499
(Continued)

(56) **References Cited**

U.S. PATENT DOCUMENTS

D331,105 S * 11/1992 Bender D23/418
D675,171 S * 1/2013 Tanaka D13/182
(Continued)

Primary Examiner — Derrick Holland

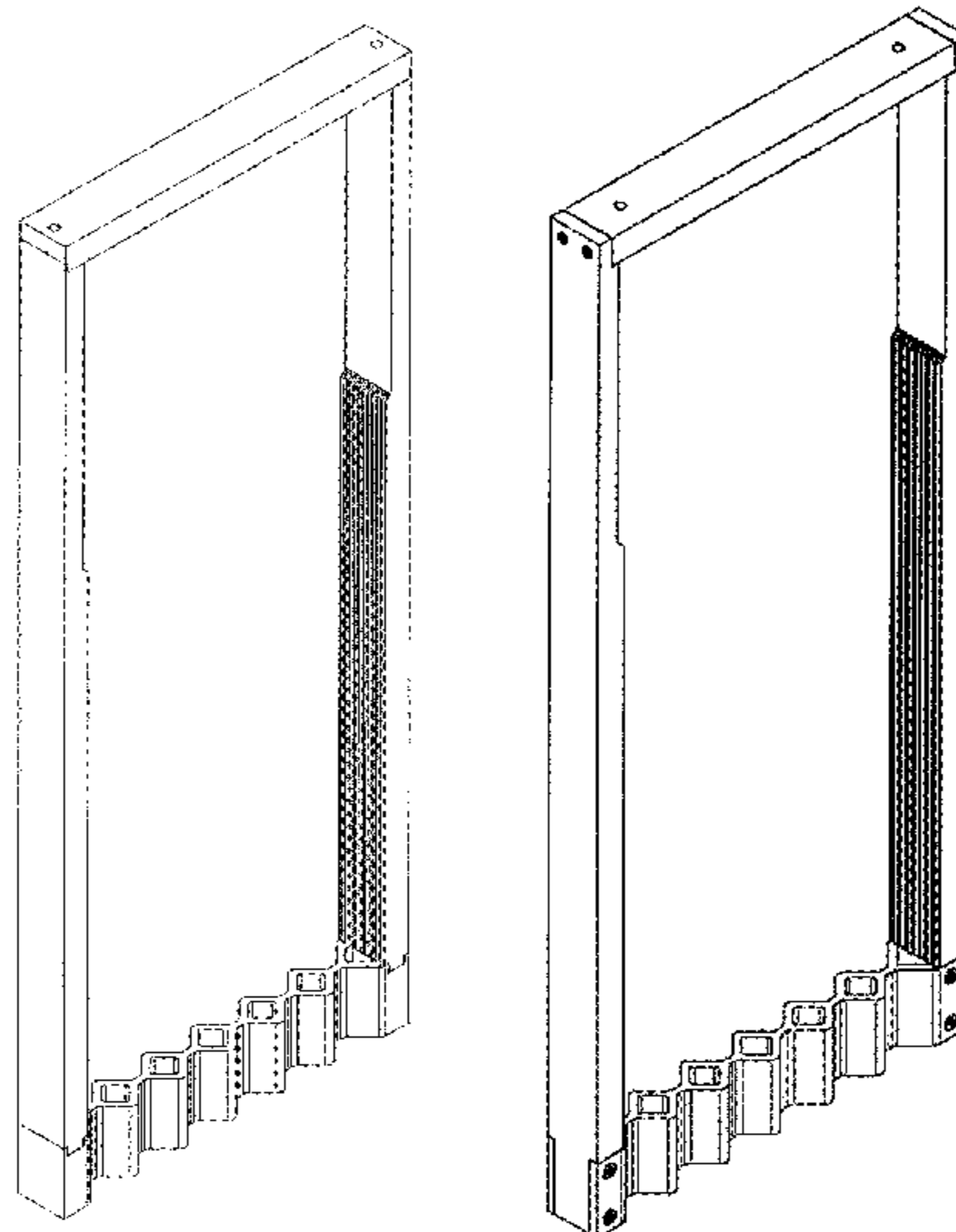
(74) *Attorney, Agent, or Firm* — DeLio, Peterson & Curcio, LLC; Thomas E. Ciesco

(57) **CLAIM**

We claim the ornamental design for an “electrode holder,” as shown and described.

FIG. 1 is a top left perspective view of an electrode holder; FIG. 2 is a top left perspective view of the electrode holder of FIG. 1 shown in environmental use; FIG. 3 is a top right perspective view of the electrode holder of FIG. 1; FIG. 4 is a top view of the electrode holder of FIG. 1; FIG. 5 is a right view of the electrode holder of FIG. 1; FIG. 6 is a left view of the electrode holder of FIG. 1; FIG. 7 is a front view of the electrode holder of FIG. 1; FIG. 8 is a bottom view of the electrode holder of FIG. 1; FIG. 9 is a bottom right perspective view of the electrode holder of FIG. 1; FIG. 10 is a bottom right perspective view of the electrode holder of FIG. 1 shown in environmental use; FIG. 11 is a bottom left perspective view of the electrode holder of FIG. 1; FIG. 12 is a back view of the electrode holder of FIG. 1; FIG. 13 is a top left perspective view of another embodiment of an electrode holder; FIG. 14 is a top left perspective view of the electrode holder of FIG. 13 shown in environmental use; FIG. 15 is a top right perspective view of the electrode holder of FIG. 13; FIG. 16 is a top view of the electrode holder of FIG. 13; FIG. 17 is a right view of the electrode holder of FIG. 13; FIG. 18 is a left view of the electrode holder of FIG. 13; FIG. 19 is a front view of the electrode holder of FIG. 13; FIG. 20 is a bottom view of the electrode holder of FIG. 13; FIG. 21 is a bottom right perspective view of the electrode holder of FIG. 13; FIG. 22 is a bottom right perspective view of the electrode holder of FIG. 13 shown in environmental use; FIG. 23 is a bottom left perspective view of the electrode holder of FIG. 13; and, FIG. 24 is a back view of the electrode holder of FIG. 13. The broken lines shown in the figures represent the environmental portions that form no part of the claimed design.

1 Claim, 16 Drawing Sheets



(58) **Field of Classification Search**

CPC H01R 4/36; H01R 9/03; H01R 2201/12;
C02F 1/463; C02F 1/467; C02F 1/4606;
C02F 2001/46123; C02F 2001/46152
See application file for complete search history.

(56) **References Cited**

U.S. PATENT DOCUMENTS

D695,699	S	*	12/2013	Shih	D13/180
2009/0068895	A1	*	3/2009	Millard	H01R 12/714
						439/626
2011/0312222	A1	*	12/2011	Tanaka	H01R 4/36
						439/626

* cited by examiner

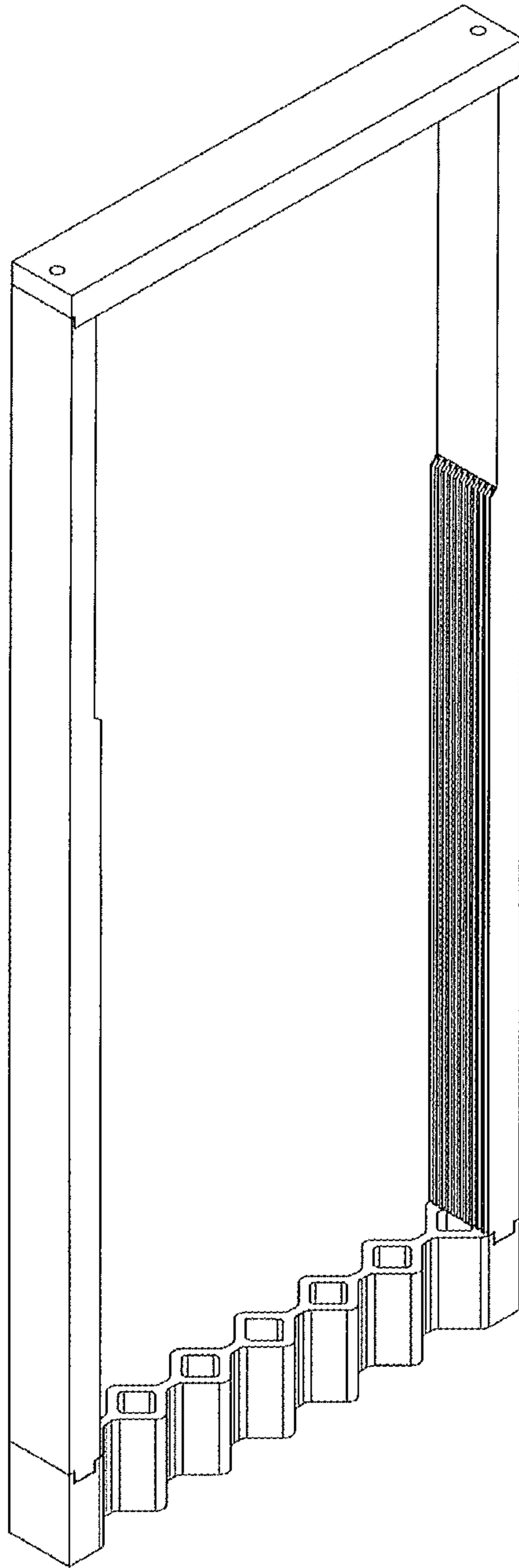


FIGURE 1

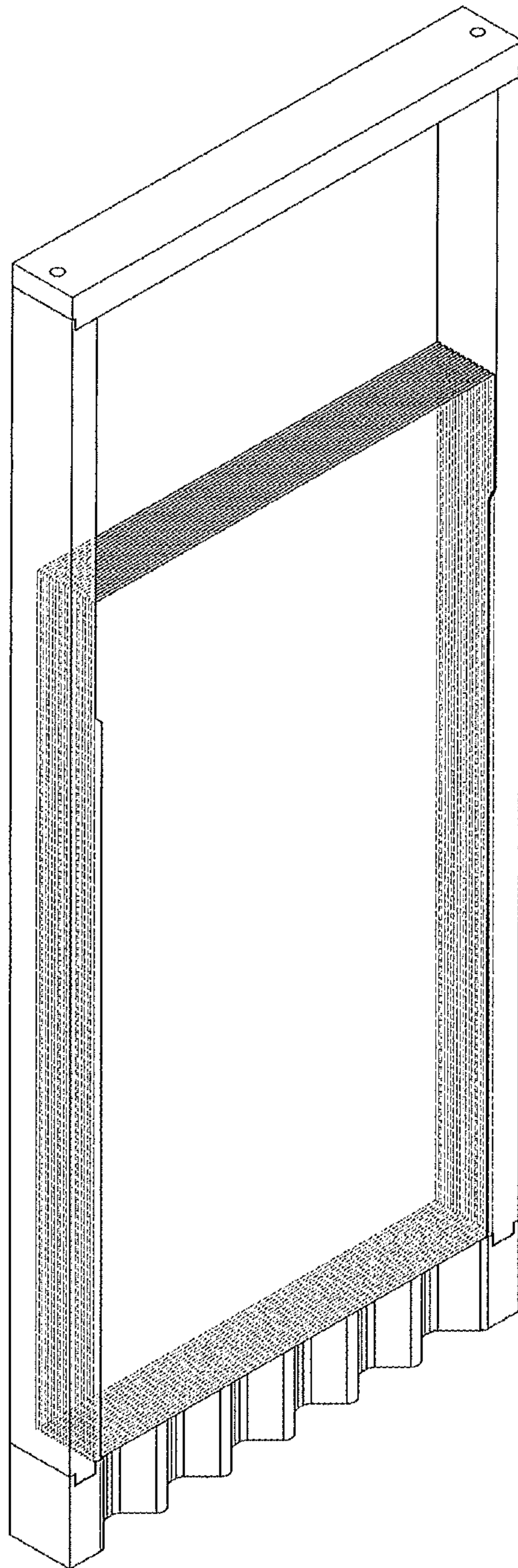


FIGURE 2

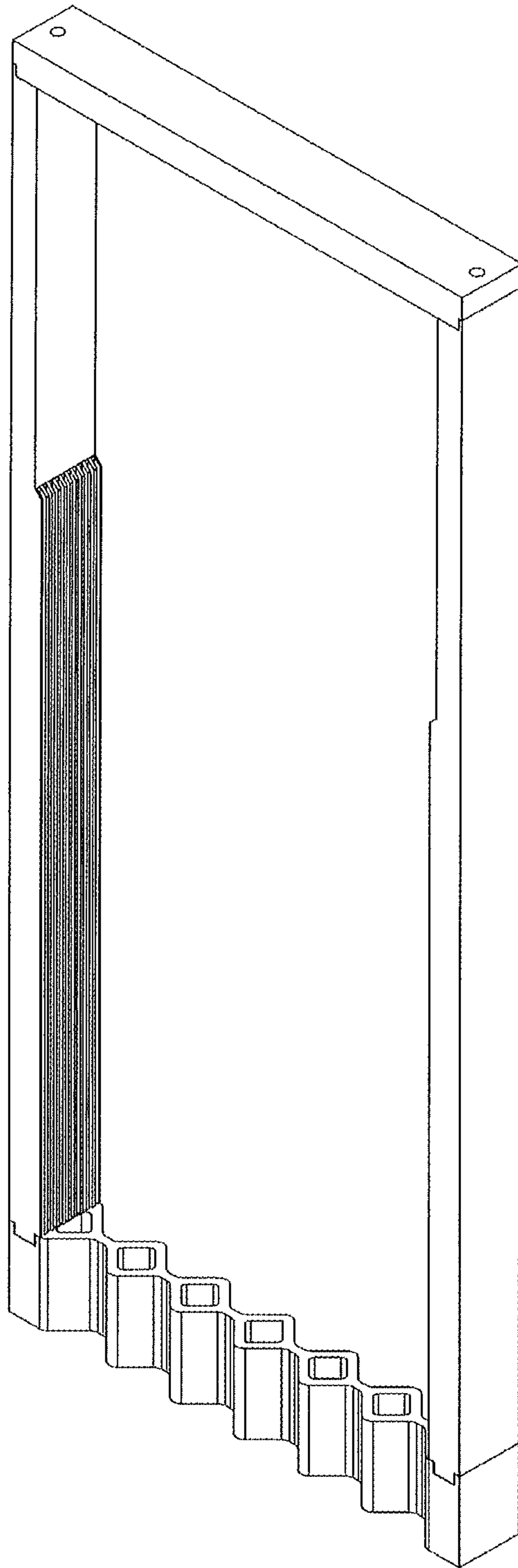


FIGURE 3



FIGURE 4



FIGURE 5



FIGURE 6

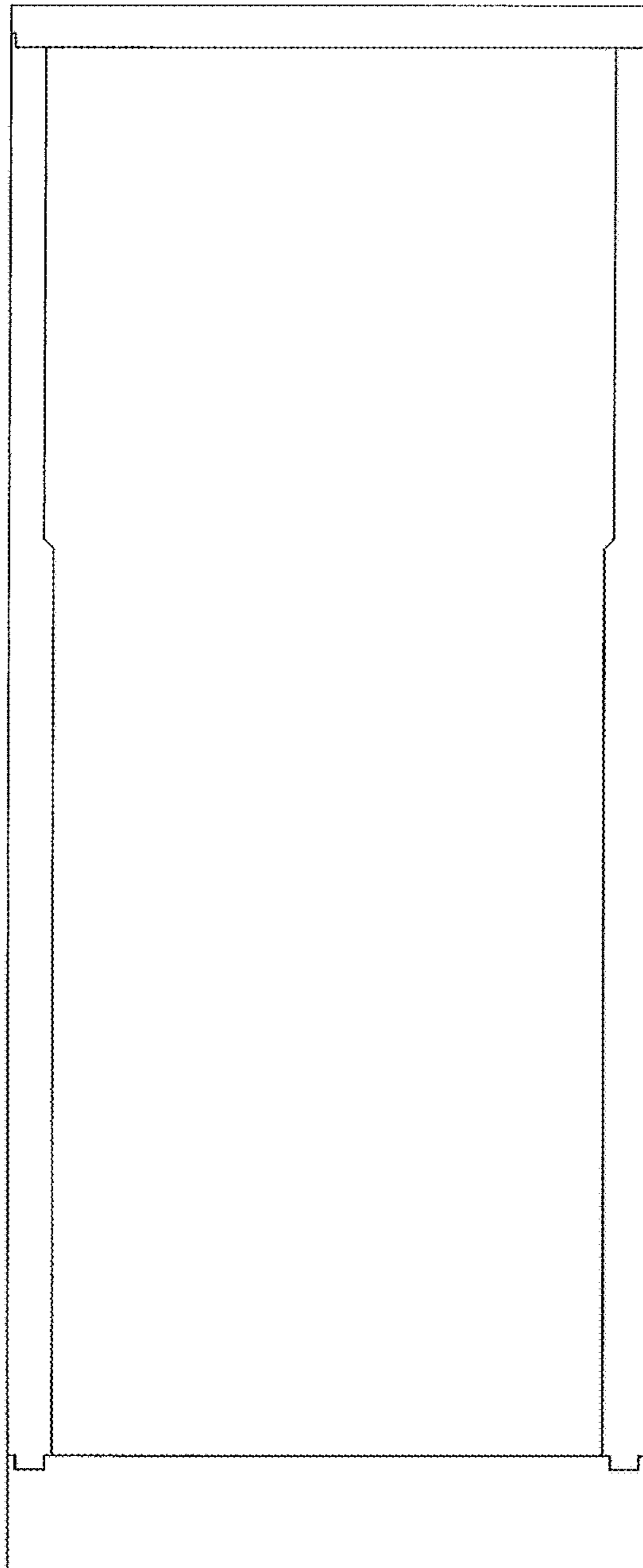


FIGURE 7



FIGURE 8

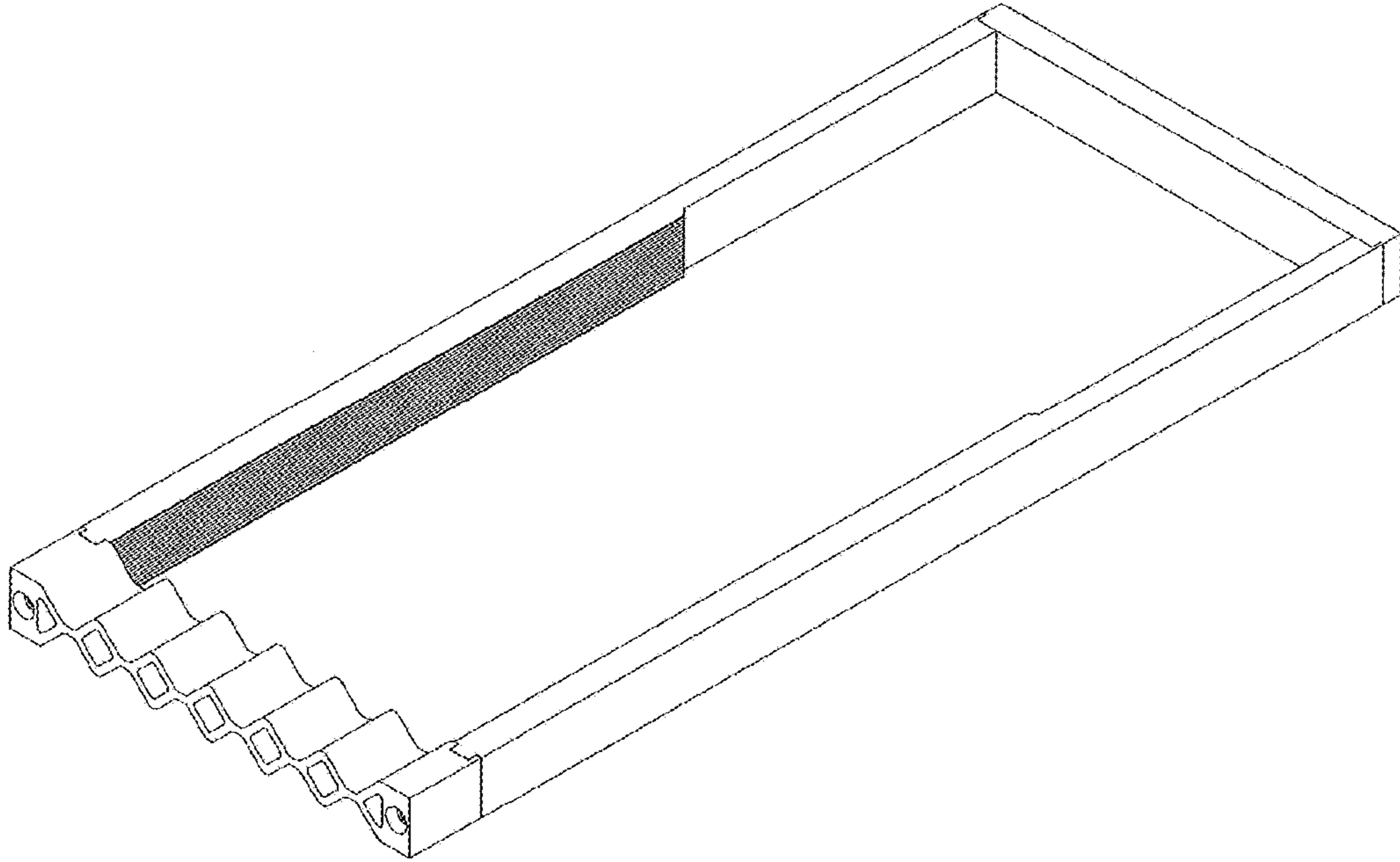


FIGURE 9

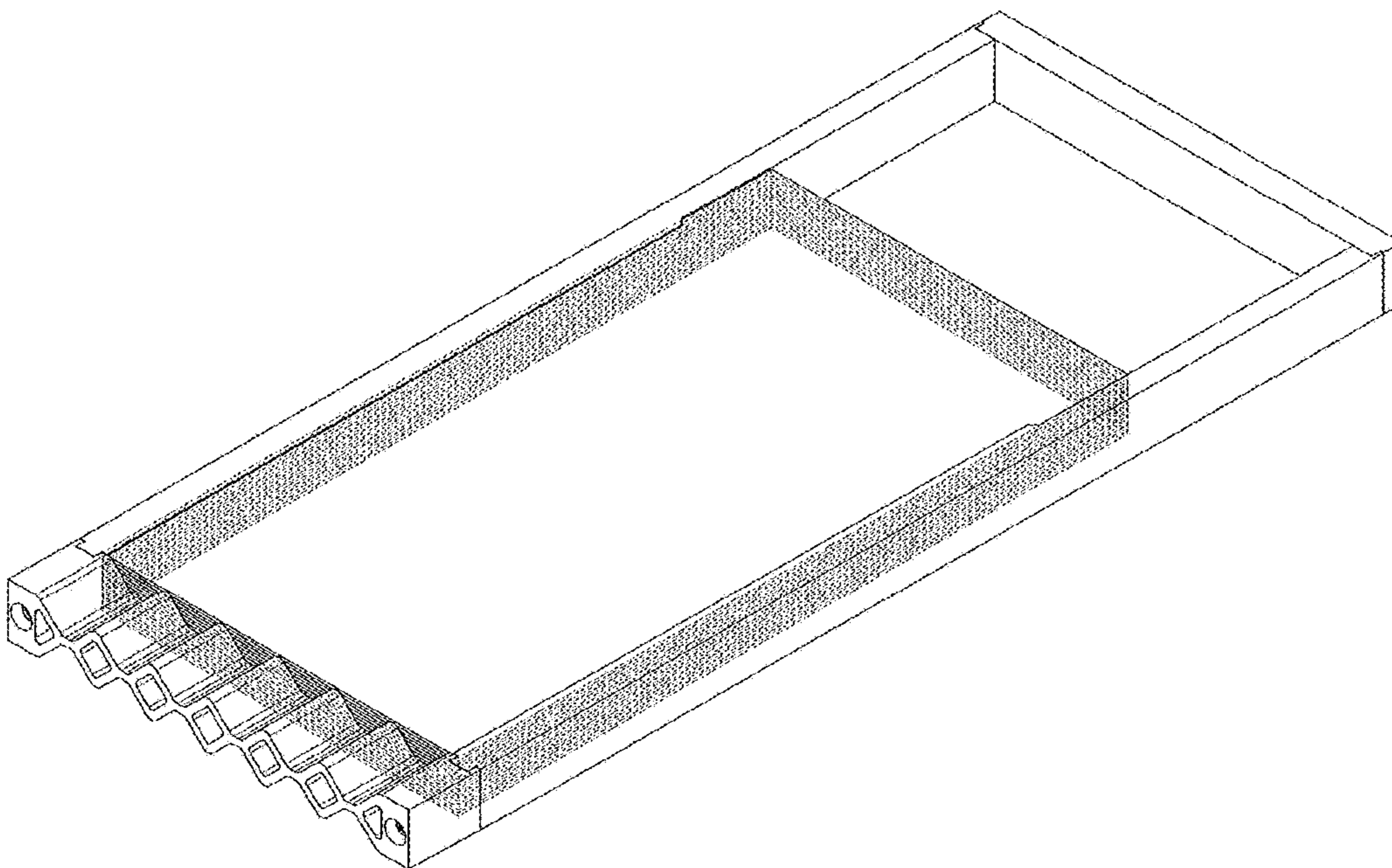


FIGURE 10

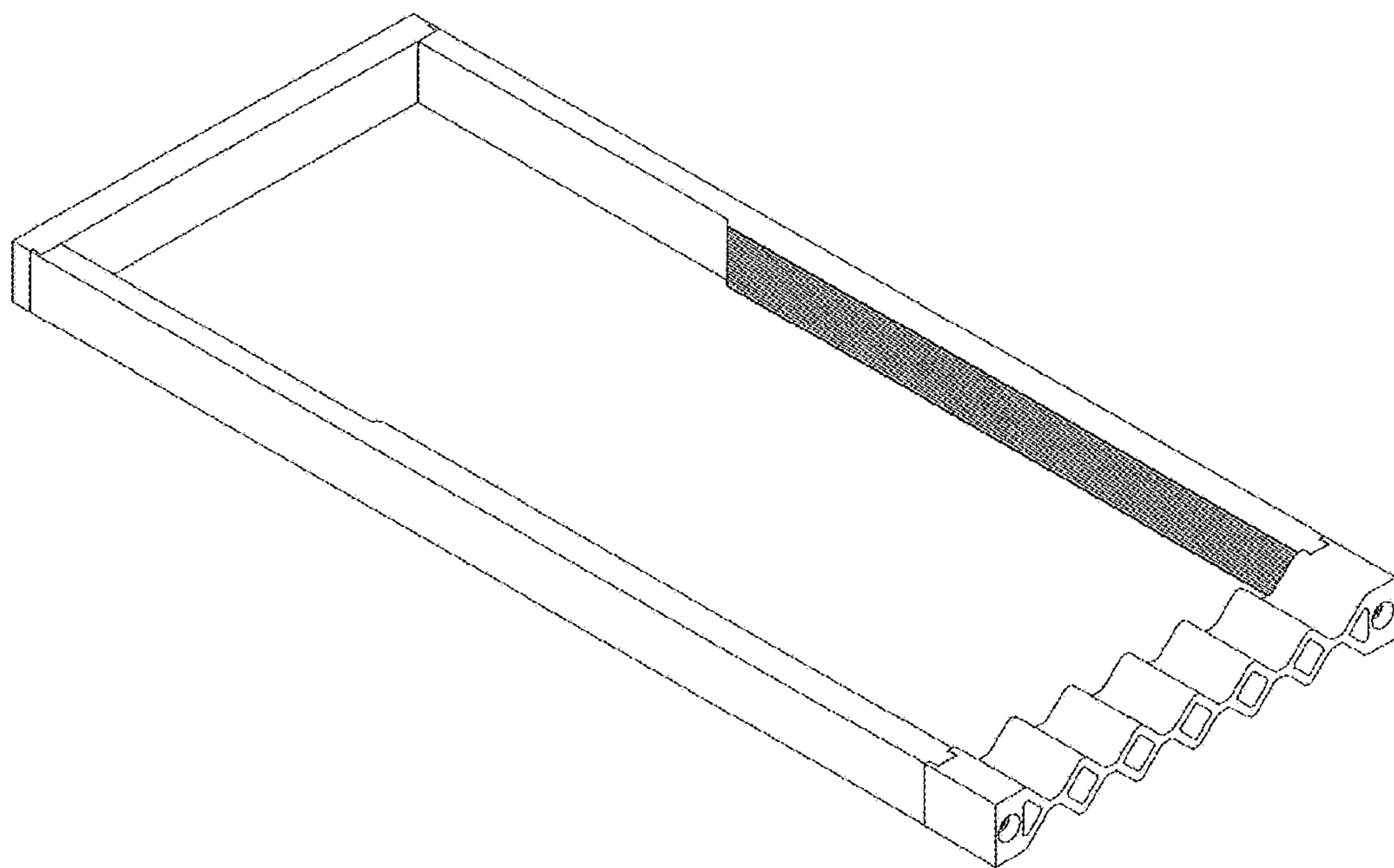


FIGURE 11

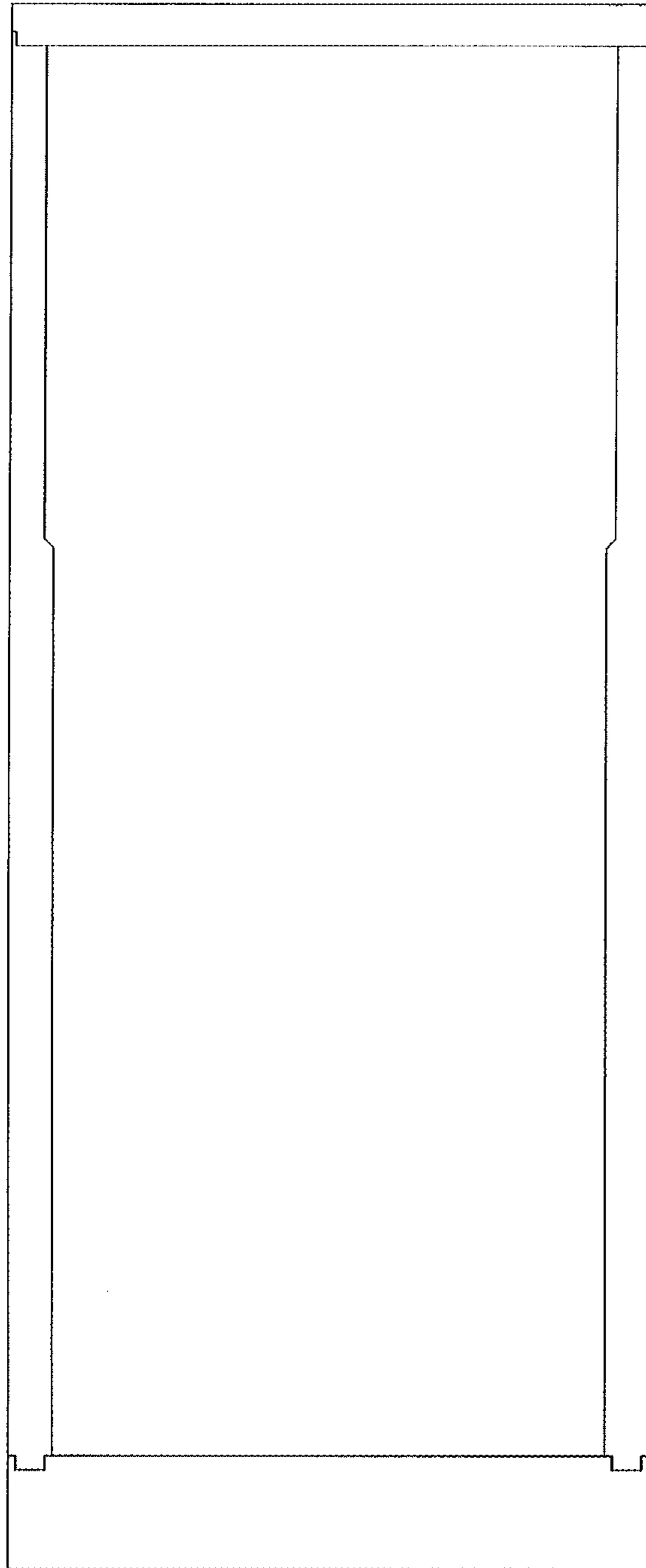


FIGURE 12

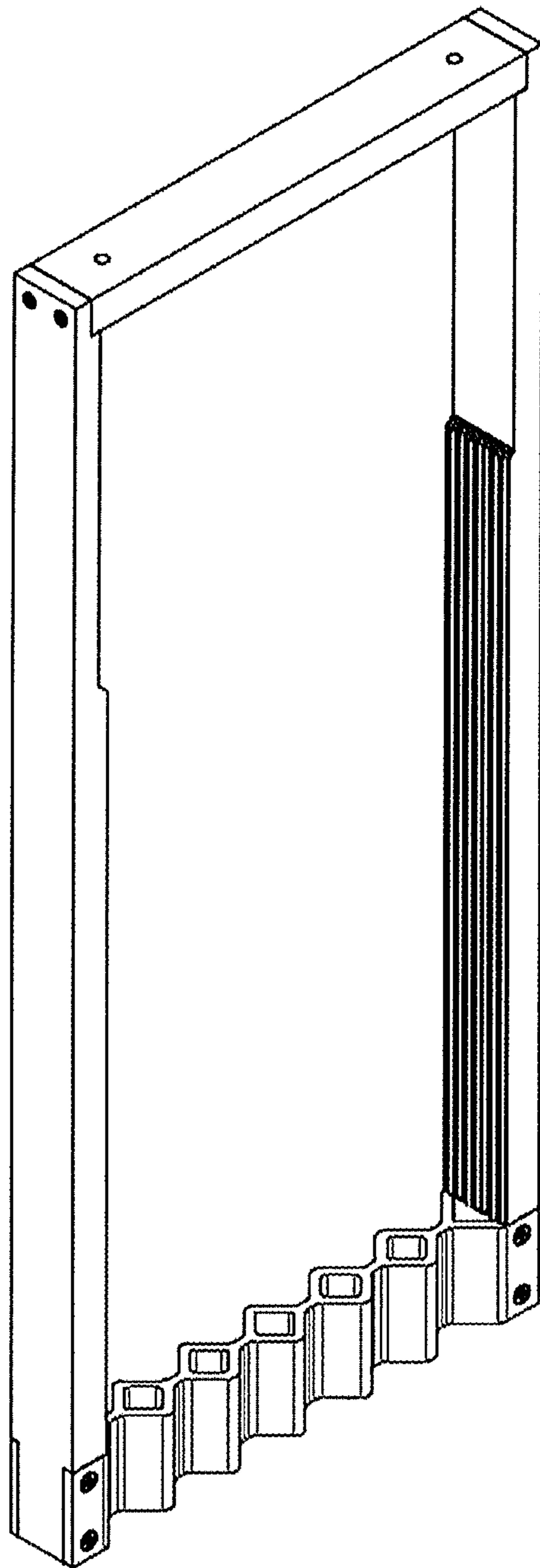


FIGURE 13

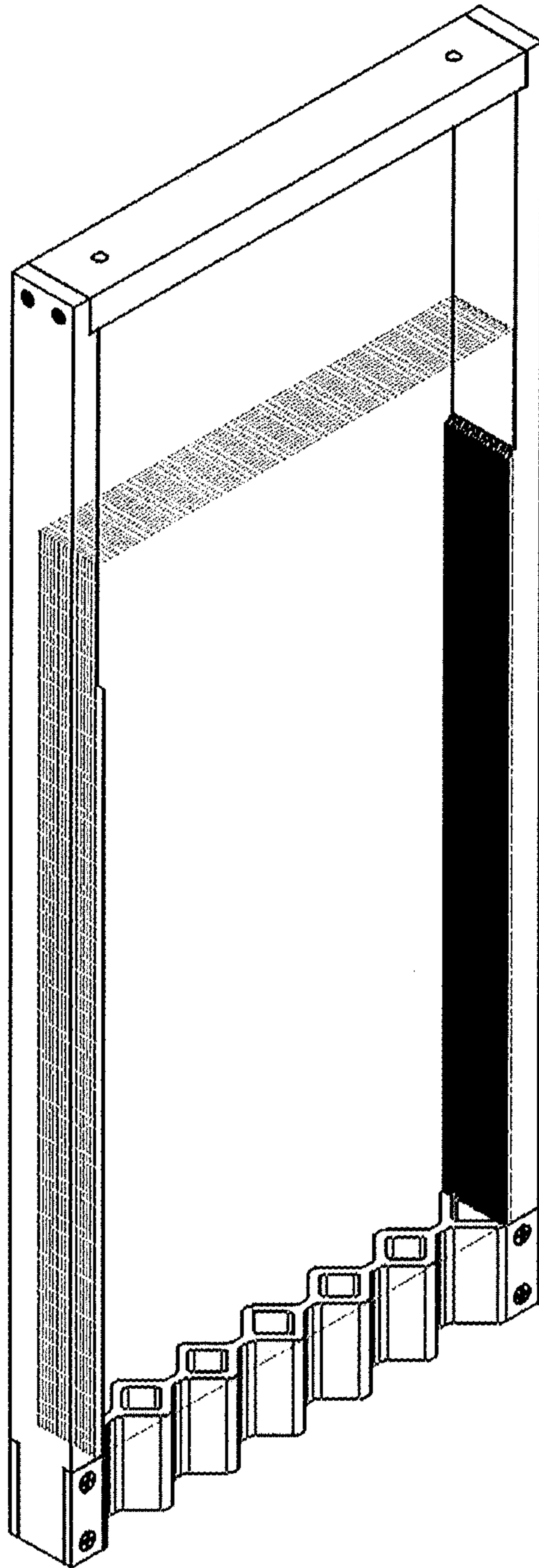


FIGURE 14

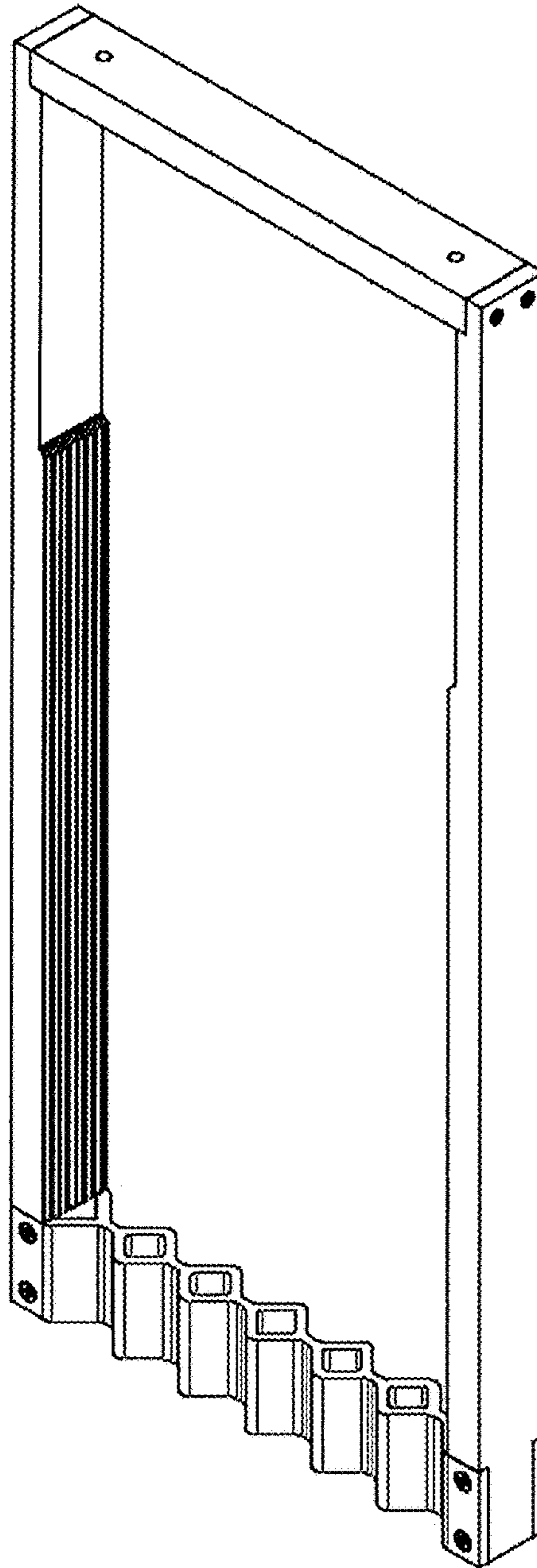


FIGURE 15

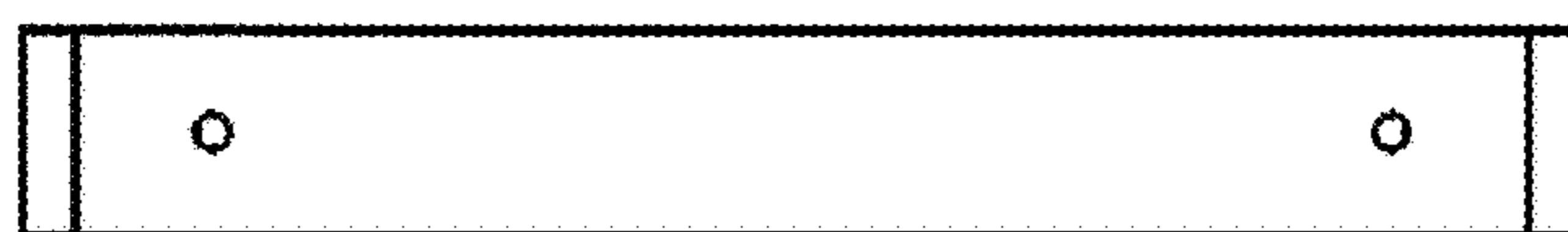


FIGURE 16

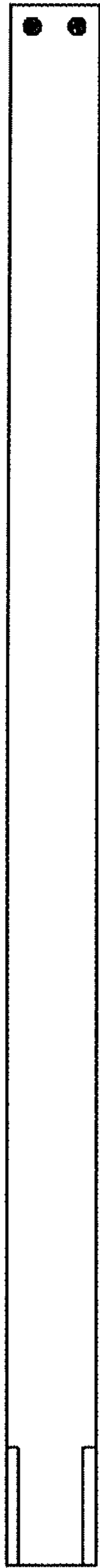


FIGURE 17



FIGURE 18

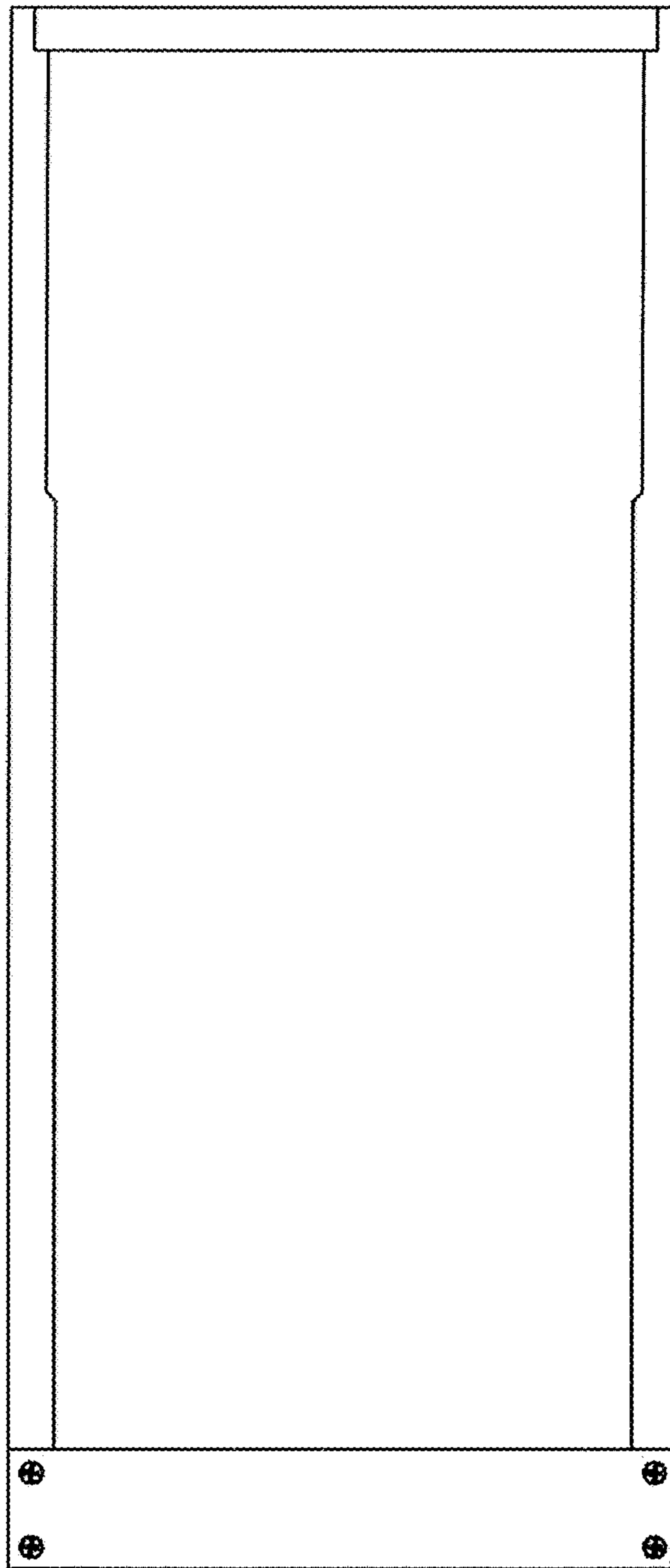


FIGURE 19



FIGURE 20

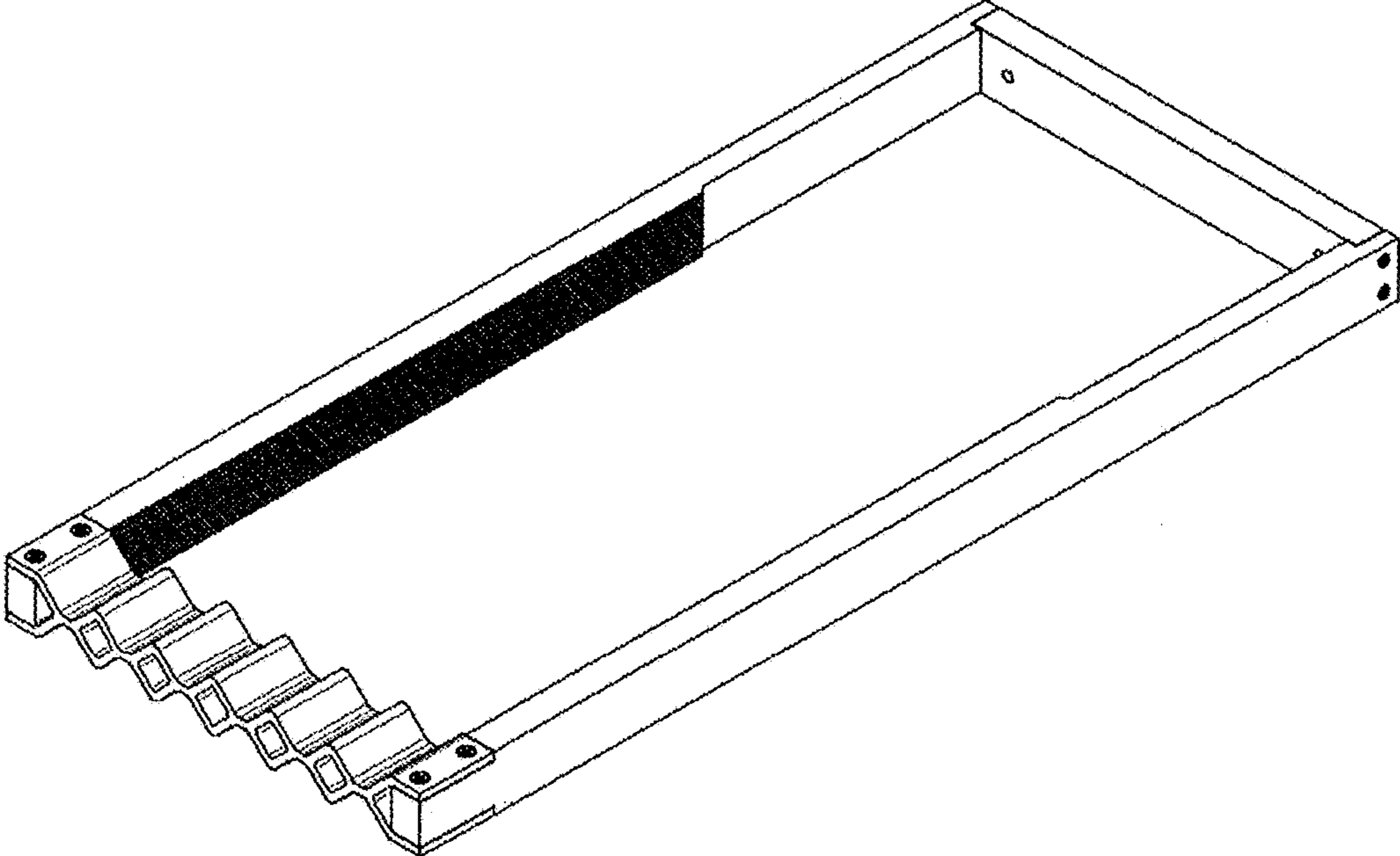


FIGURE 21

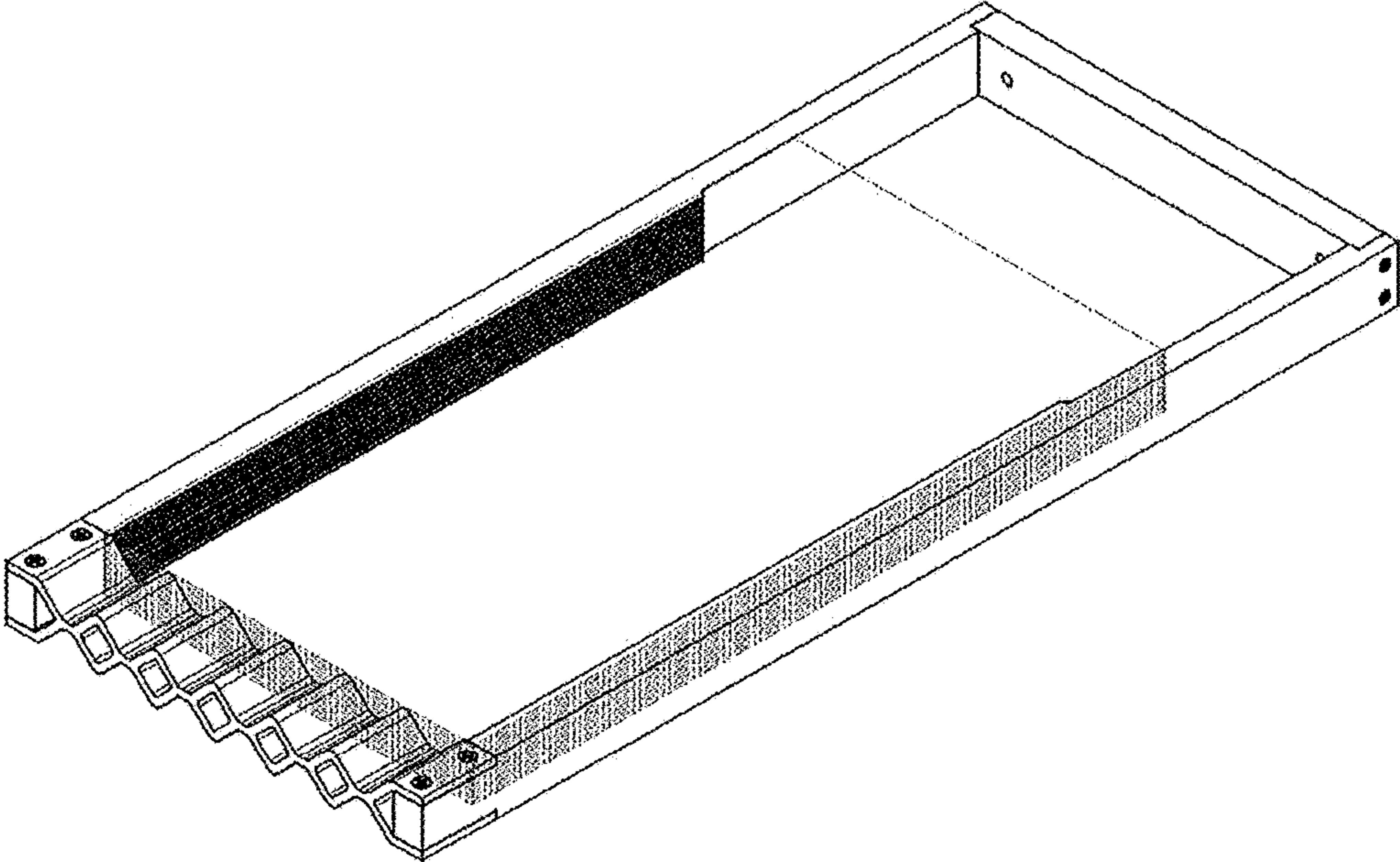


FIGURE 22

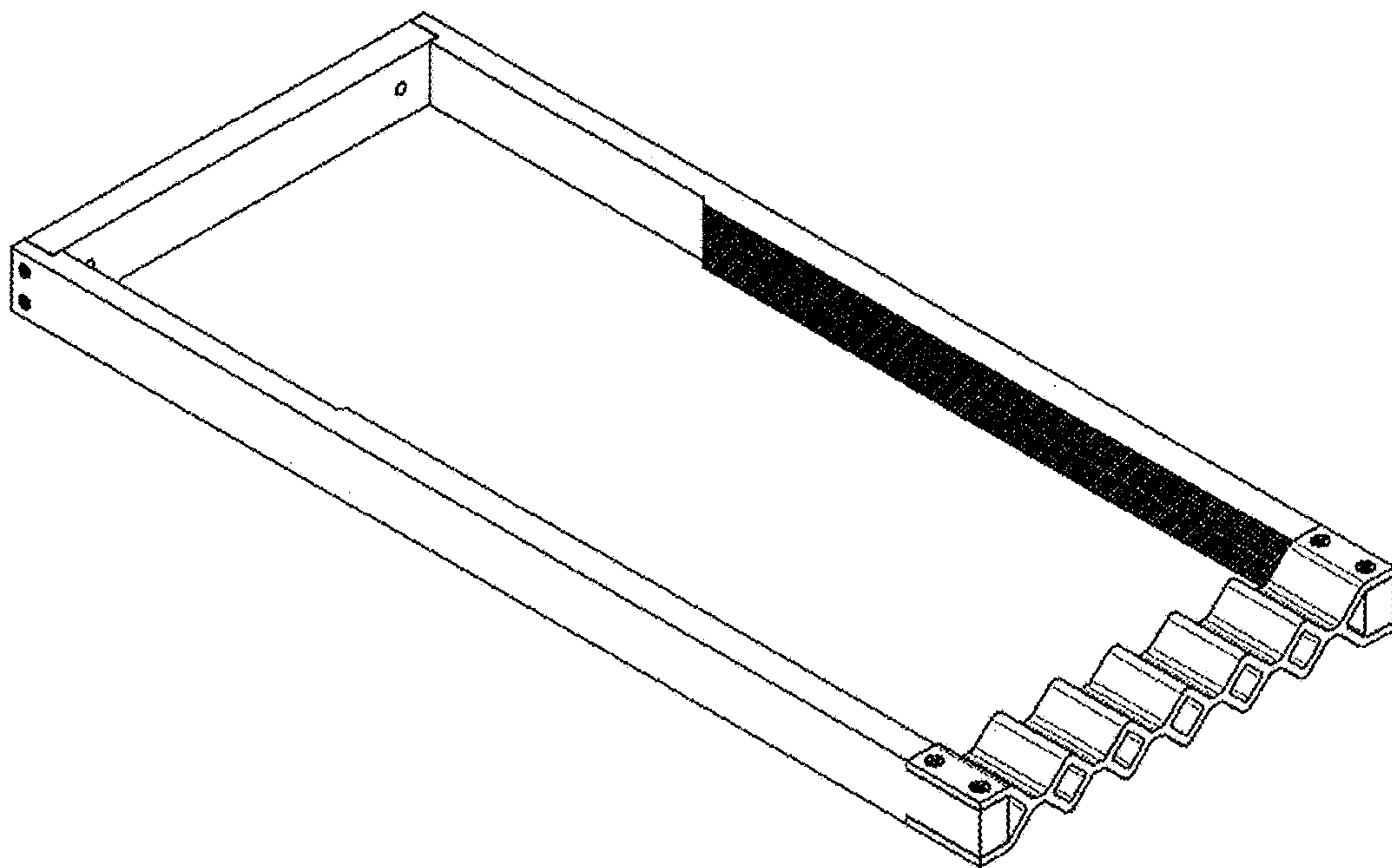


FIGURE 23

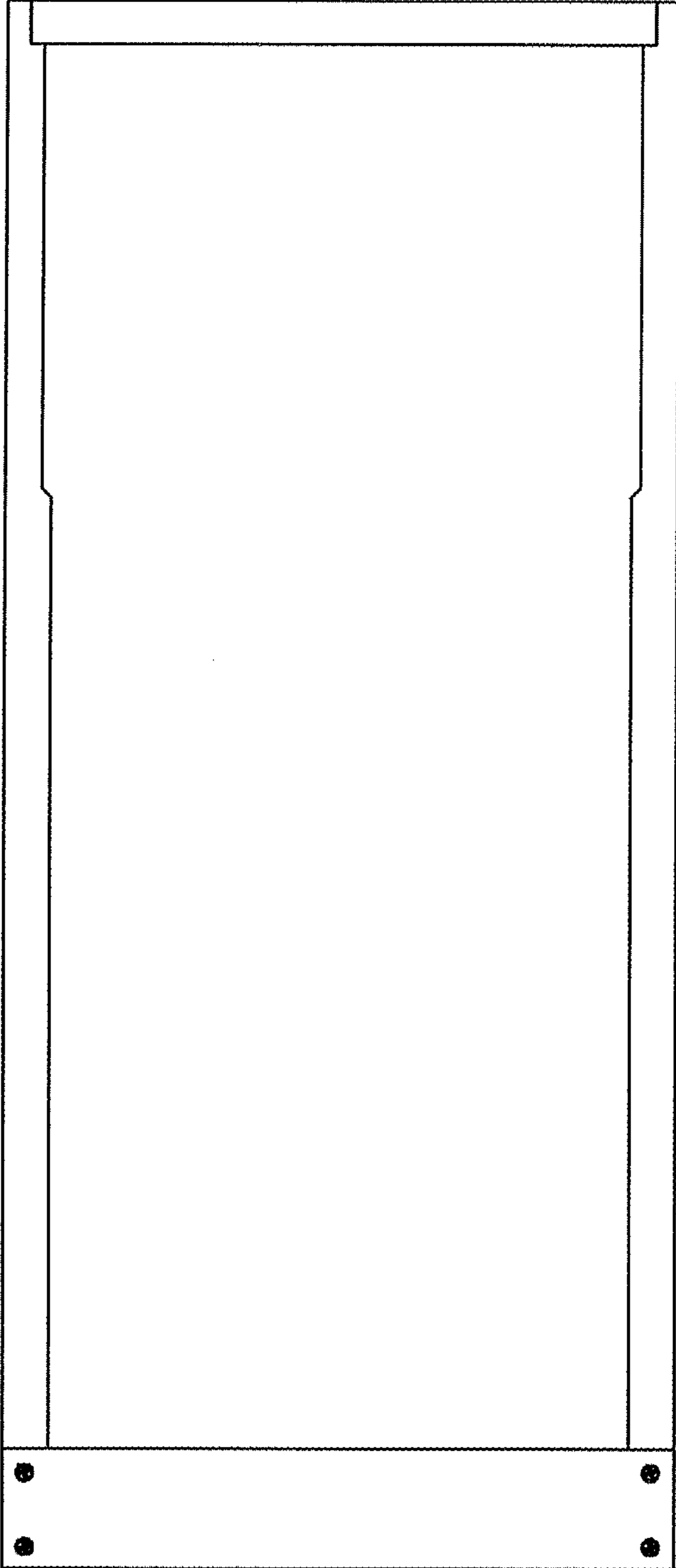


FIGURE 24