



US00D822623S

(12) **United States Design Patent**
Baldwin

(10) **Patent No.:** **US D822,623 S**

(45) **Date of Patent:** **** Jul. 10, 2018**

(54) **TOGGLE SWITCH COVER**

(71) Applicant: **Jeffrey Baldwin**, Anthem, AZ (US)

(72) Inventor: **Jeffrey Baldwin**, Anthem, AZ (US)

(**) Term: **15 Years**

(21) Appl. No.: **29/593,487**

(22) Filed: **Feb. 9, 2017**

(51) **LOC (11) Cl.** **13-03**

(52) **U.S. Cl.**
USPC **D13/177; D13/169**

(58) **Field of Classification Search**
USPC D13/162, 169, 170, 173, 174.177
CPC H01H 3/02; H01H 3/0213; H01H 3/04;
H01H 9/02; H01H 9/287; H01H 13/02;
H01H 13/04; H01H 13/14; H01H 13/20;
H01H 13/30; H01H 19/02; H01H 19/635;
H01H 15/005; H01H 15/02; H01H 15/04;
H01H 15/06; H01H 15/10; H01H 15/22;
H01H 15/24; H01H 23/02; H01H 23/025;
H01H 23/04; H01H 23/08; H01H 23/12;
H02G 3/14

See application file for complete search history.

(56) **References Cited**

U.S. PATENT DOCUMENTS

D219,657 S *	1/1971	Kahn	D13/170
3,643,046 A *	2/1972	Zdanys, Jr.	H01H 15/02 200/16 D
4,276,457 A *	6/1981	Myers	H01H 71/524 200/401
4,293,173 A	10/1981	Tricca		
4,340,795 A *	7/1982	Arthur	H02B 1/048 200/295
4,675,540 A *	6/1987	Conaway	H01H 3/0213 200/16 C
D349,836 S *	8/1994	Maggard	D13/177
5,338,910 A *	8/1994	Tsai	H01H 15/00 200/292
D351,376 S *	10/1994	Hughes	D13/177

5,657,861 A *	8/1997	Takano	H01H 15/06 200/547
5,824,977 A *	10/1998	Takano	H01H 15/06 200/16 C
5,834,716 A *	11/1998	Lee	H01H 23/003 200/5 R
6,392,170 B1 *	5/2002	Wechsler	H01H 23/148 200/43.16
6,949,708 B1 *	9/2005	Hausen	H02G 3/14 174/66
D615,048 S *	5/2010	Grisby	D13/173

(Continued)

Primary Examiner — Selina Sikder

(74) *Attorney, Agent, or Firm* — Ryan Liebengood

(57) **CLAIM**

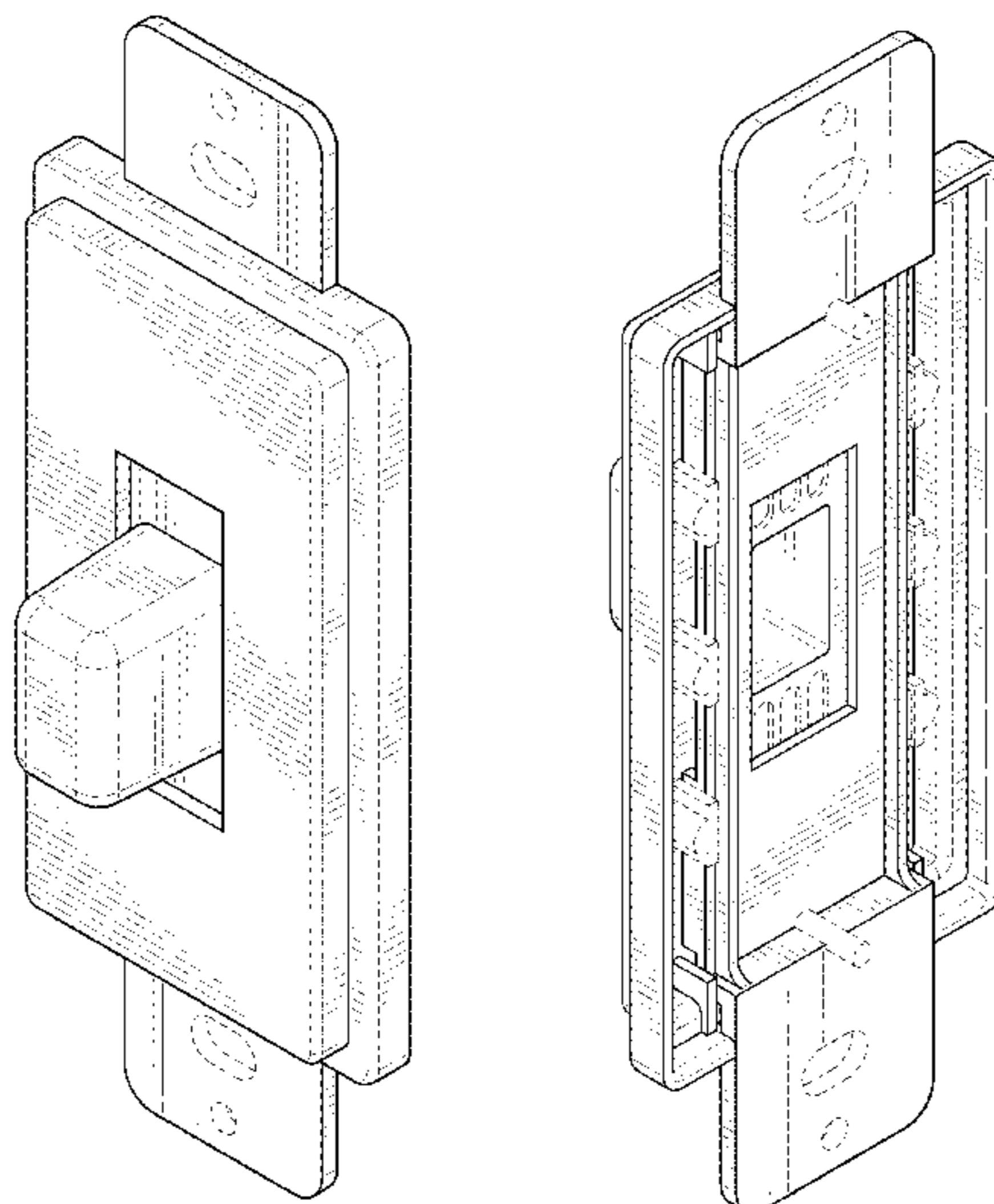
I claim the ornamental design for a toggle switch cover, as shown and described.

DESCRIPTION

FIG. 1 is a front perspective view of a toggle switch cover in a wall plate showing my design;
 FIG. 2 is a front perspective view of the toggle switch cover removed from the wall plate;
 FIG. 3 is a rear perspective view thereof;
 FIG. 4 is a front elevational view thereof;
 FIG. 5 is a top elevational view thereof, the bottom elevational view being identical;
 FIG. 6 is a right elevational view thereof, the left elevational view being identical;
 FIG. 7 is a rear elevational view thereof;
 FIG. 8 is a top sectional view taken generally about line 8-8 in FIG. 7; and,
 FIG. 9 is a right sectional view taken generally about line 9-9 in FIG. 7.

The broken lines shown in the Figures are included for the purpose of illustrating environmental features and form no part of the claimed design.

1 Claim, 7 Drawing Sheets



(56)

References Cited

U.S. PATENT DOCUMENTS

8,222,522	B1	7/2012	Easthouse	
D708,153	S *	7/2014	Todd	D13/177
9,236,722	B1	1/2016	Baldwin	
2002/0063050	A1	5/2002	Shotey	
2003/0056968	A1 *	3/2003	Skakun	H02G 3/14 174/66
2008/0236860	A1 *	10/2008	Howe	B05B 12/20 174/67
2014/0291132	A1 *	10/2014	Todd	H01H 9/02 200/333
2015/0043194	A1 *	2/2015	Busby	H01H 9/287 362/95
2017/0323745	A1 *	11/2017	Cohen	H01H 21/08
2018/0068809	A1 *	3/2018	Hayashi	H01H 13/14

* cited by examiner

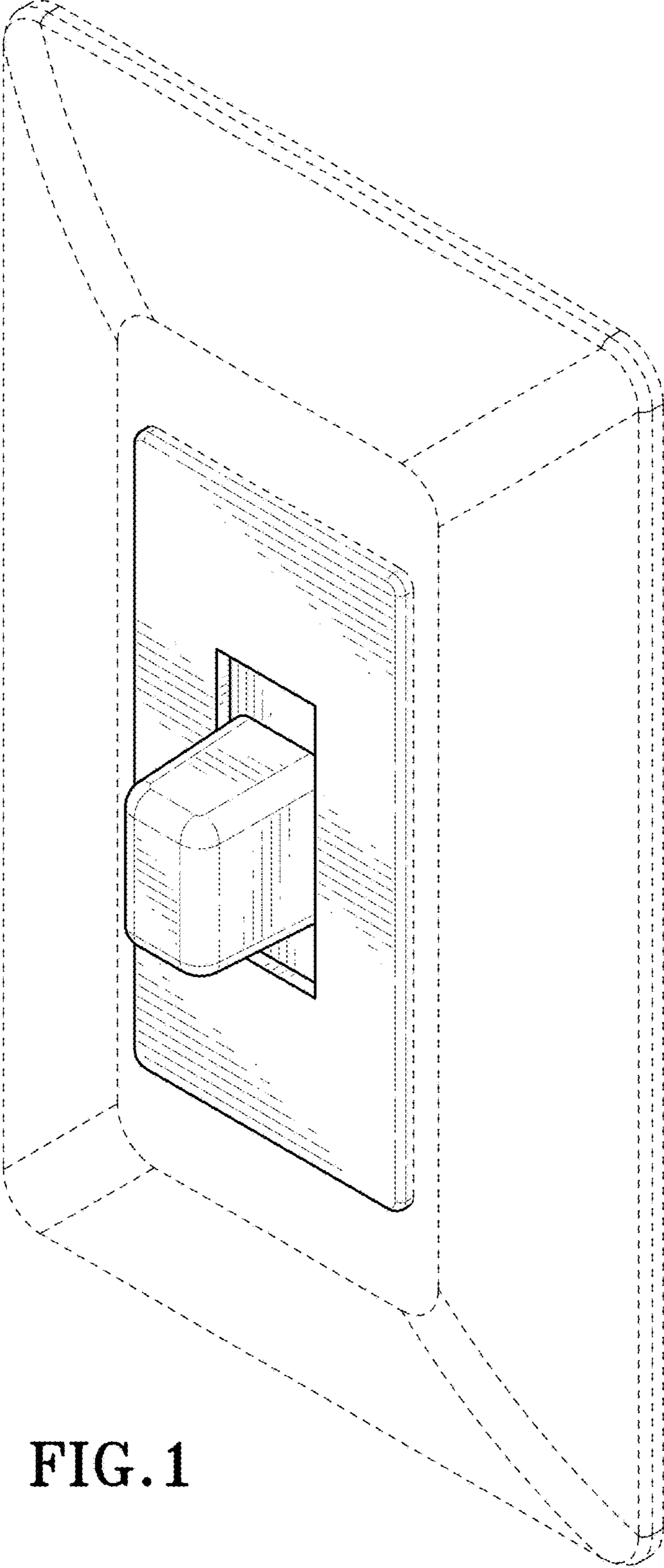


FIG. 1

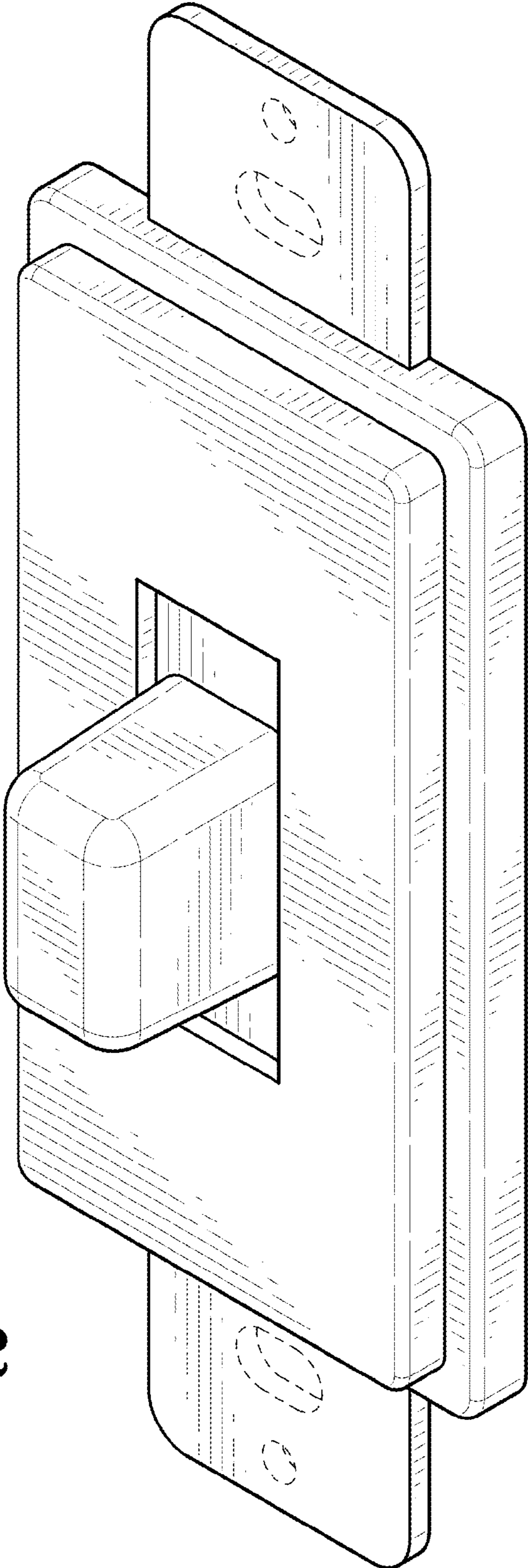


FIG.2

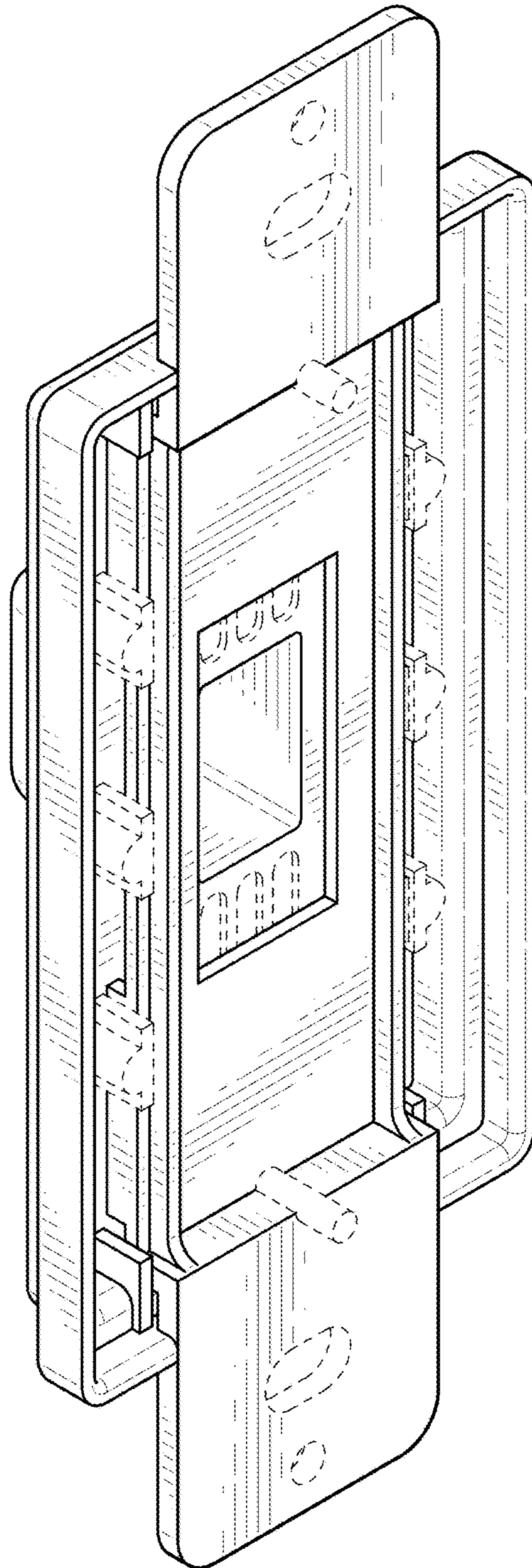


FIG. 3

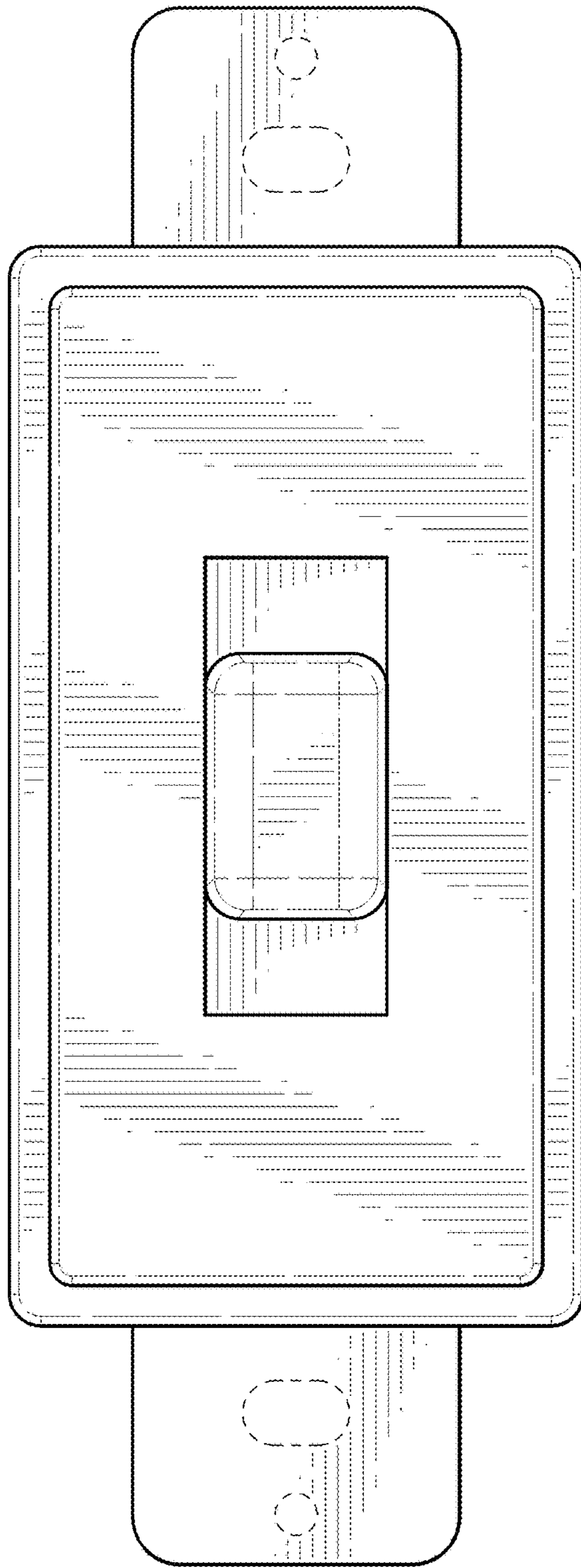


FIG. 4

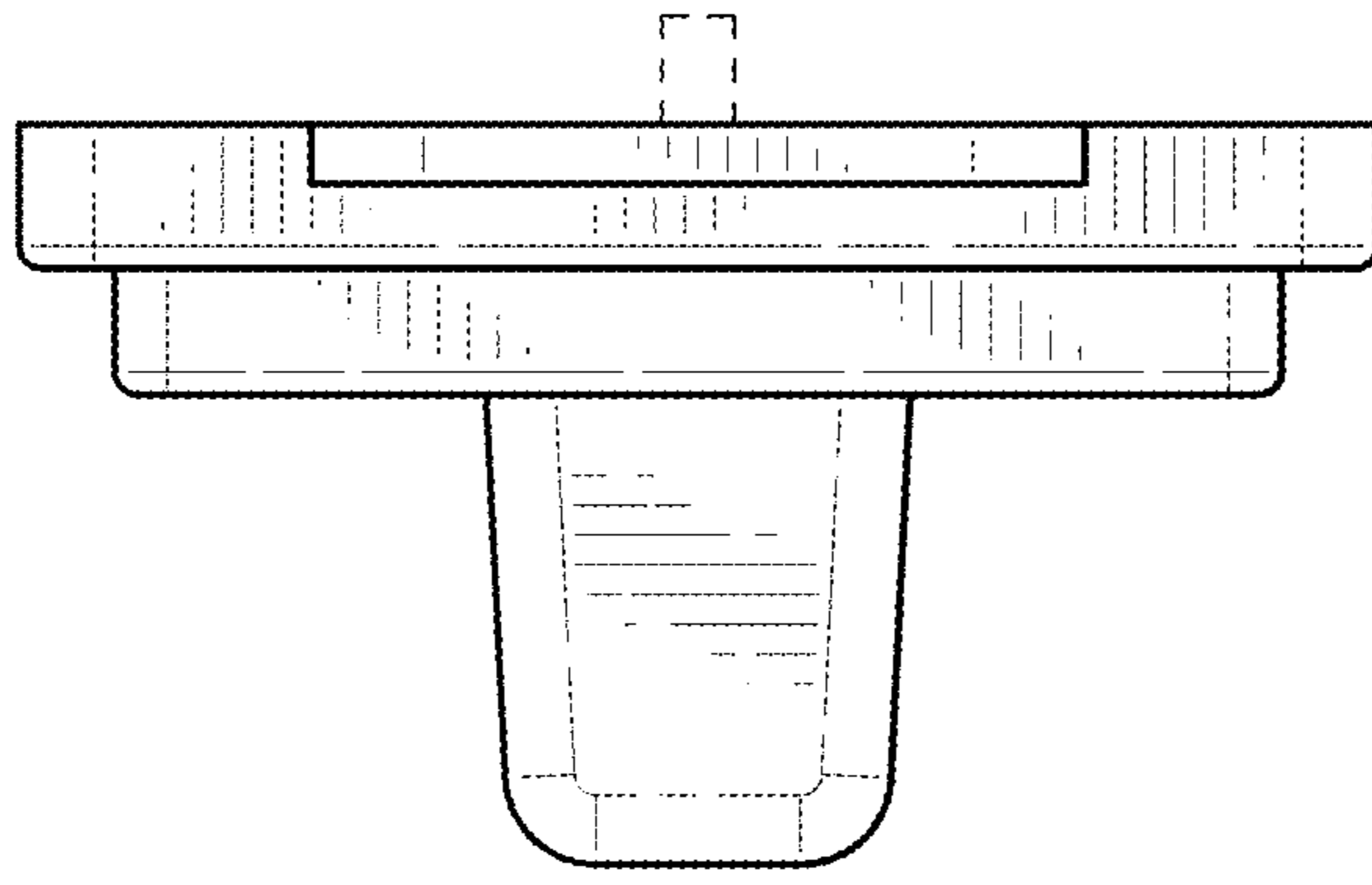


FIG. 5

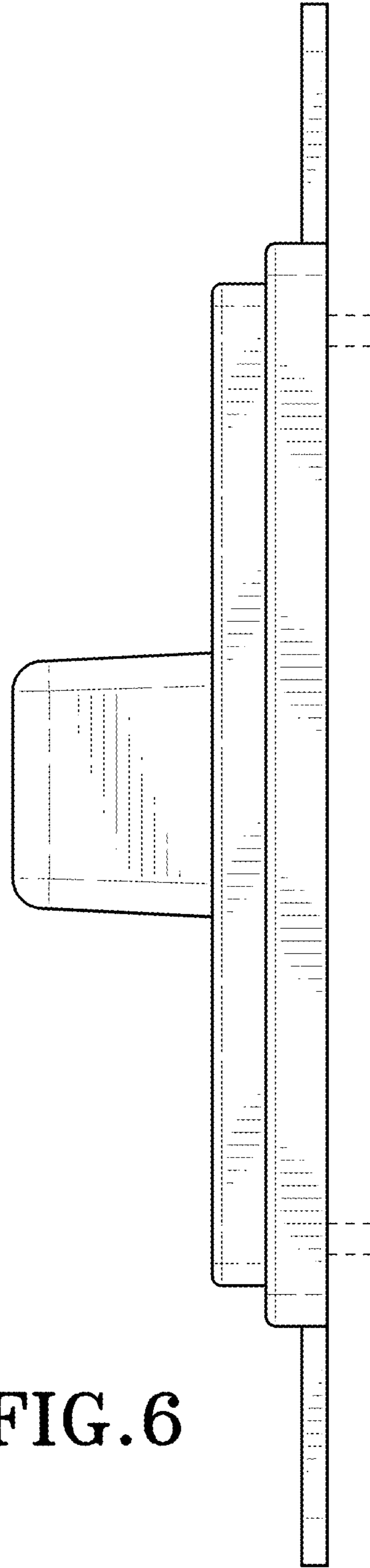


FIG. 6

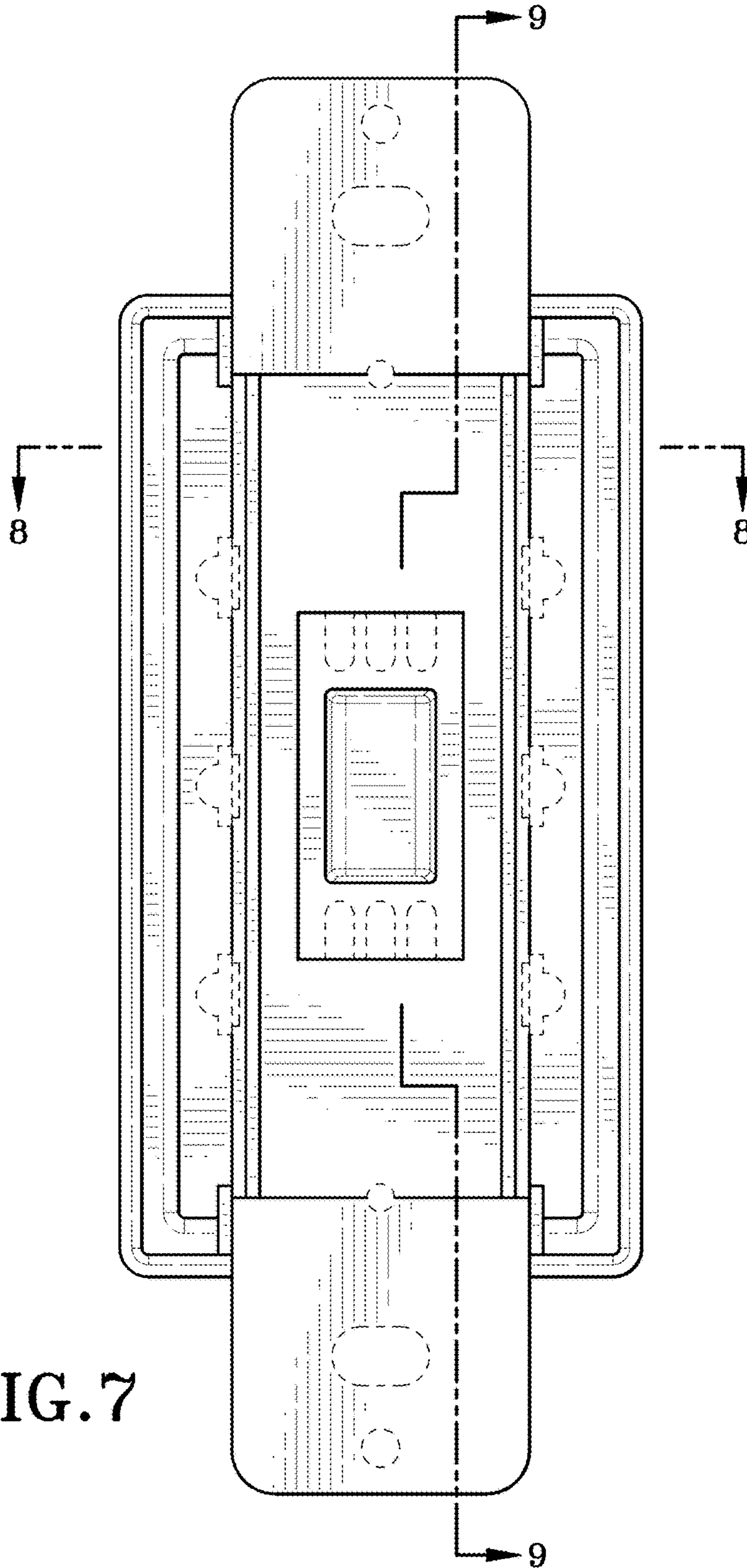


FIG. 7

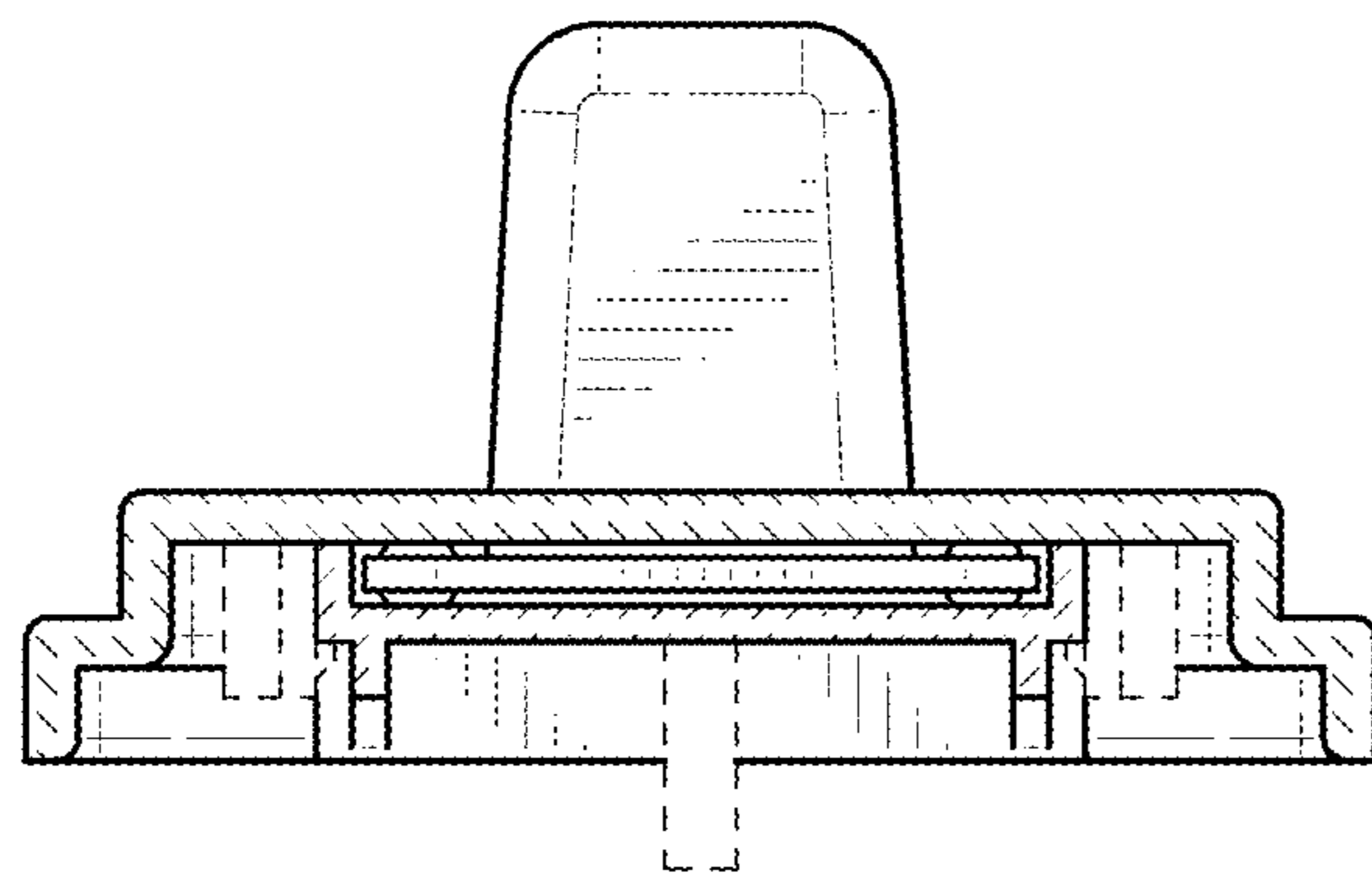


FIG. 8

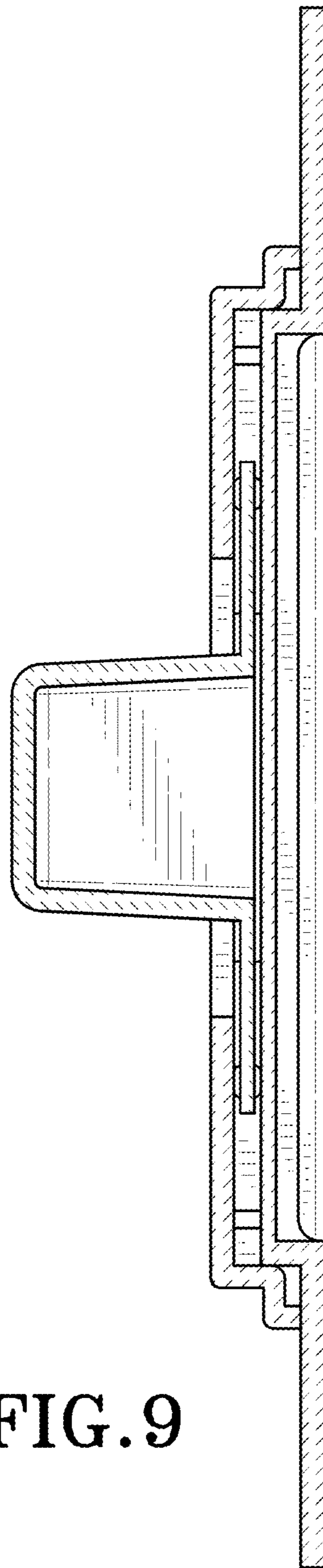


FIG. 9