



US00D822622S

(12) **United States Design Patent**
Cheng et al.

(10) **Patent No.:** **US D822,622 S**
(45) **Date of Patent:** **** Jul. 10, 2018**

(54) **CONTROLLER HOUSING**

(71) Applicant: **DELTA ELECTRONICS, INC.**,
Taoyuan (TW)

(72) Inventors: **Yu-Ting Cheng**, Taoyuan (TW); **Wei Cheng**, Shanghai (CN); **Lei Zhao**, Shanghai (CN); **Hongyuan Jin**, Shanghai (CN); **Baohua Li**, Shanghai (CN)

(73) Assignee: **DELTA ELECTRONICS, INC.**,
Taoyuan (TW)

(**) Term: **15 Years**

(21) Appl. No.: **29/597,924**

(22) Filed: **Mar. 21, 2017**

(51) **LOC (11) Cl.** **13-03**

(52) **U.S. Cl.**
USPC **D13/162; D24/107**

(58) **Field of Classification Search**
USPC D13/158, 162, 164, 168; D14/336, 341, D14/345, 375, 388, 400, 401; D24/107, D24/158, 186; D21/324, 329, 332, 333; D30/199

CPC G06F 3/041; G06F 3/045; G06F 3/0488; G06F 1/1601; G05B 11/01; G05B 19/02; G05B 19/04; G05B 19/05; G05B 19/409; G09F 9/00; A61B 5/00; A61B 5/74; A61B 5/742; A61B 5/7435; A61B 5/7475; A61B 6/00; A61B 6/03; A61B 8/46; A61B 8/461; A61B 8/462; A61B 8/467; A63F 13/92

See application file for complete search history.

(56) **References Cited**

U.S. PATENT DOCUMENTS

D469,433 S * 1/2003 Liao D14/375
D484,131 S * 12/2003 Olson D14/375

D558,152 S * 12/2007 Tatsuyama D13/162
D558,351 S * 12/2007 Diener D24/186
D601,557 S * 10/2009 Wesolek D14/341
D628,570 S * 12/2010 Li D14/341
D642,992 S * 8/2011 Sasaki D13/164
8,149,222 B2 * 4/2012 Hsieh G06F 3/041
345/173
D688,240 S * 8/2013 Wesolek D14/341
D703,663 S * 4/2014 Piraud D14/341
D723,700 S * 3/2015 Landis D14/336
D735,343 S * 7/2015 Dorsey D24/186
D745,003 S * 12/2015 Carpenter D14/341
D763,202 S * 8/2016 Daubenmerkl D13/164
D770,051 S * 10/2016 Egli D24/186
D788,047 S * 5/2017 Fremuth D13/162
D804,013 S * 11/2017 Carreon D24/107

* cited by examiner

Primary Examiner — Selina Sikder

(74) *Attorney, Agent, or Firm* — Kirton McConkie; Evan R. Witt

(57) **CLAIM**

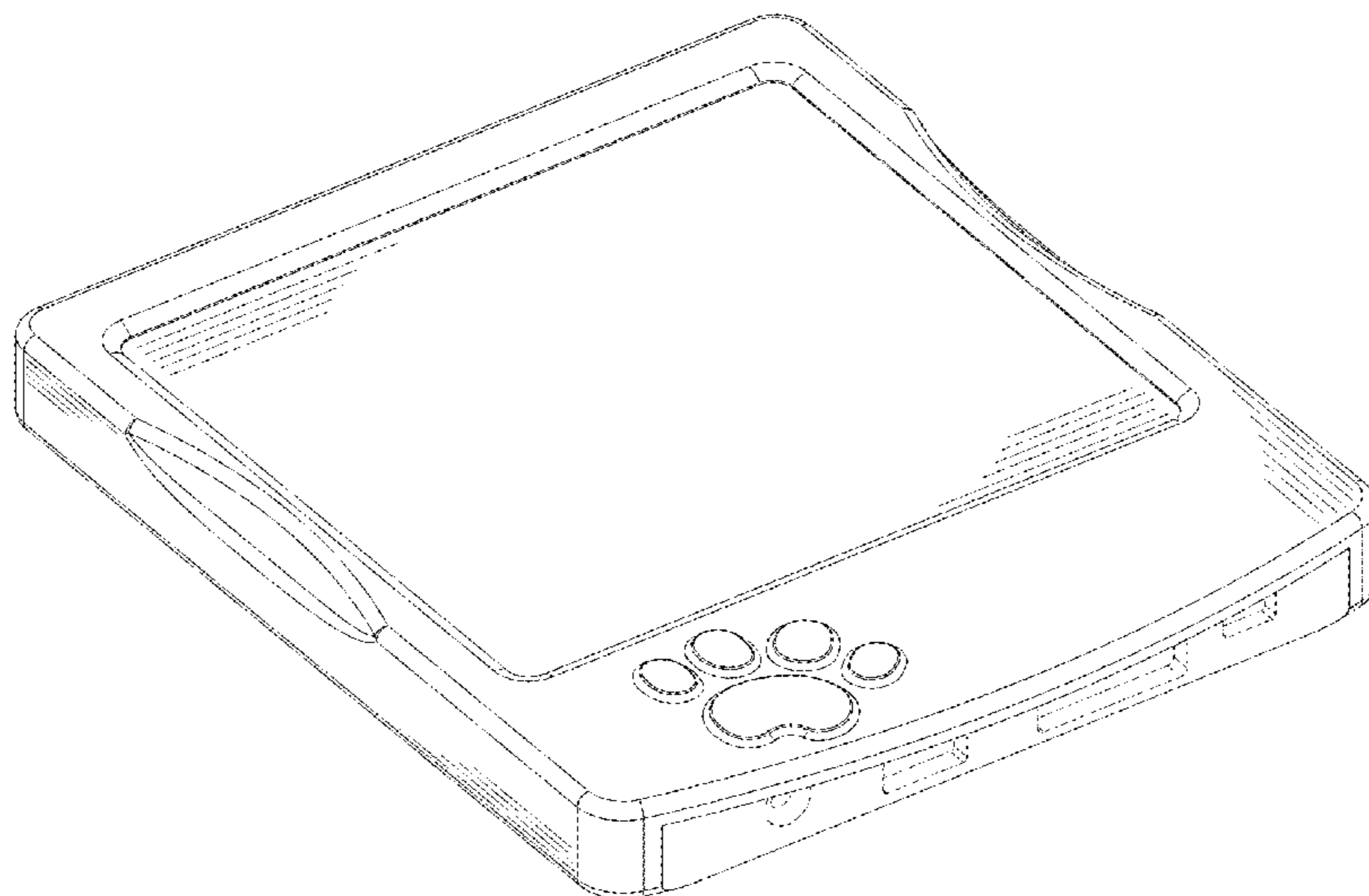
The ornamental design for a controller housing, as shown and described.

DESCRIPTION

FIG. 1 is a perspective view of a controller housing showing our new design;
FIG. 2 is another perspective view thereof;
FIG. 3 is a front elevational view thereof;
FIG. 4 is a rear elevational view thereof;
FIG. 5 is a left side elevational view thereof;
FIG. 6 is a right side elevational view thereof;
FIG. 7 is a top plan view thereof; and,
FIG. 8 is a bottom plan view thereof.

The broken line portions in the drawing views are included to show unclaimed subject matter only and form no part of the claimed design.

1 Claim, 6 Drawing Sheets



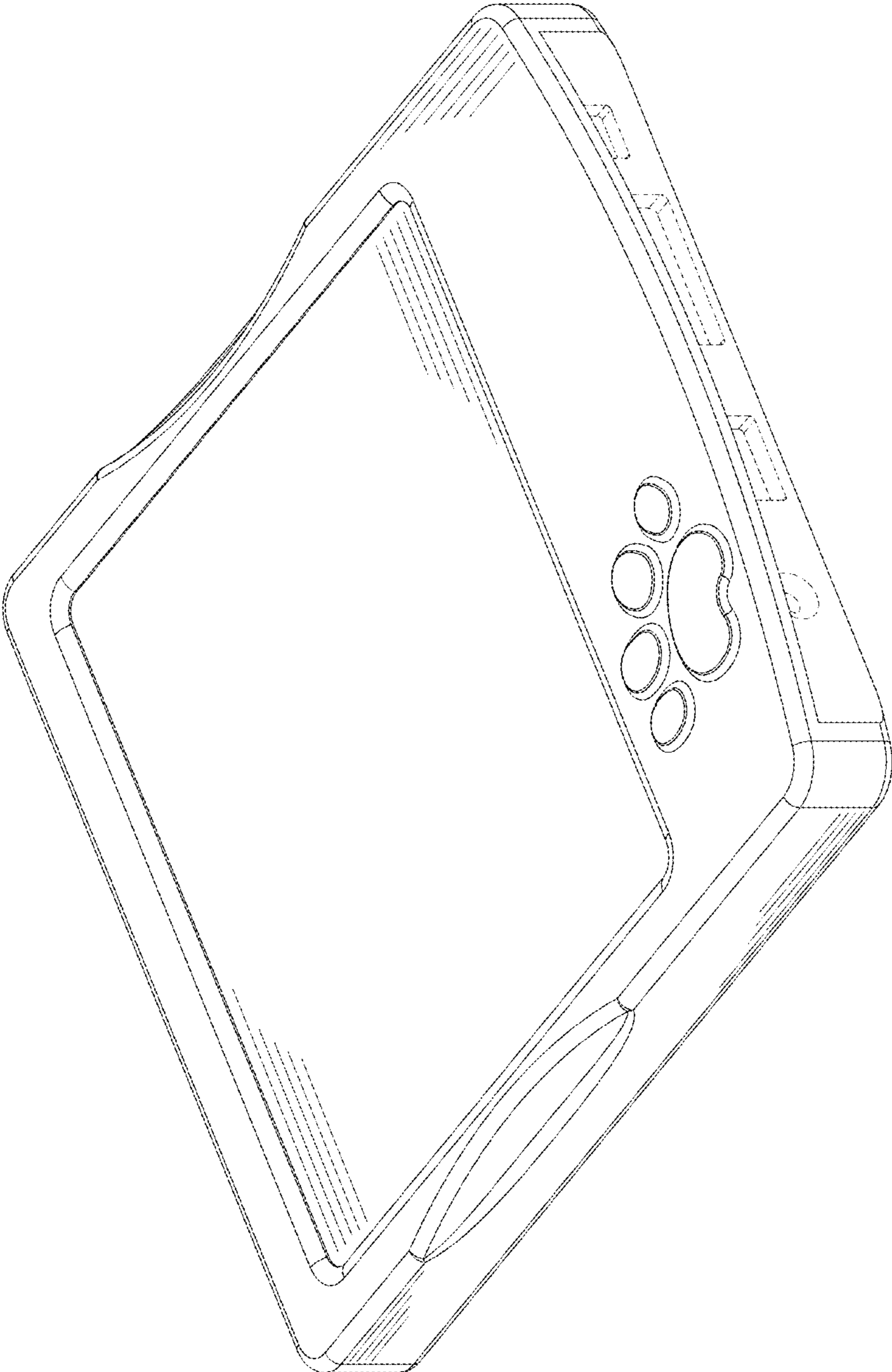


FIG. 1

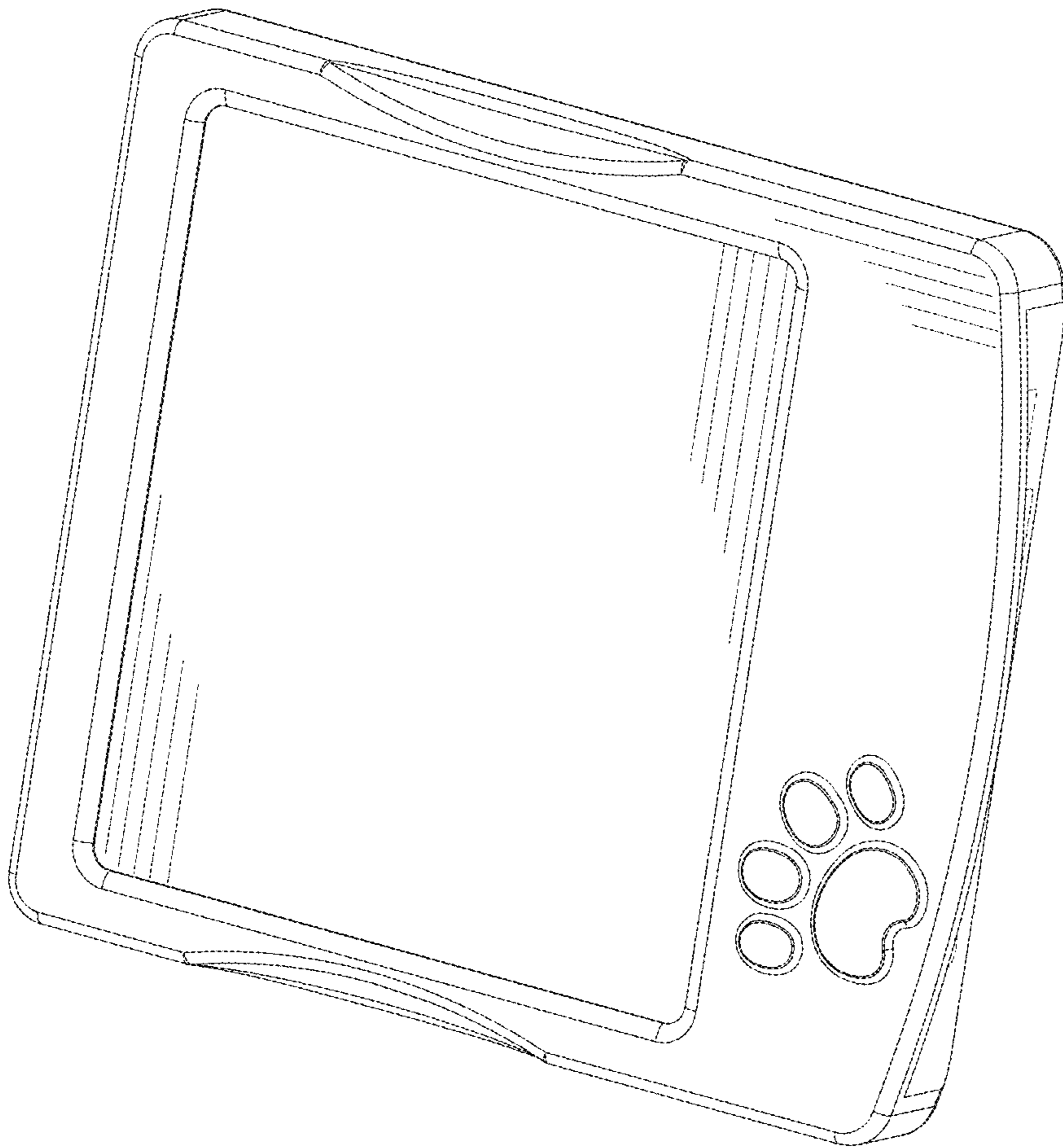


FIG. 2

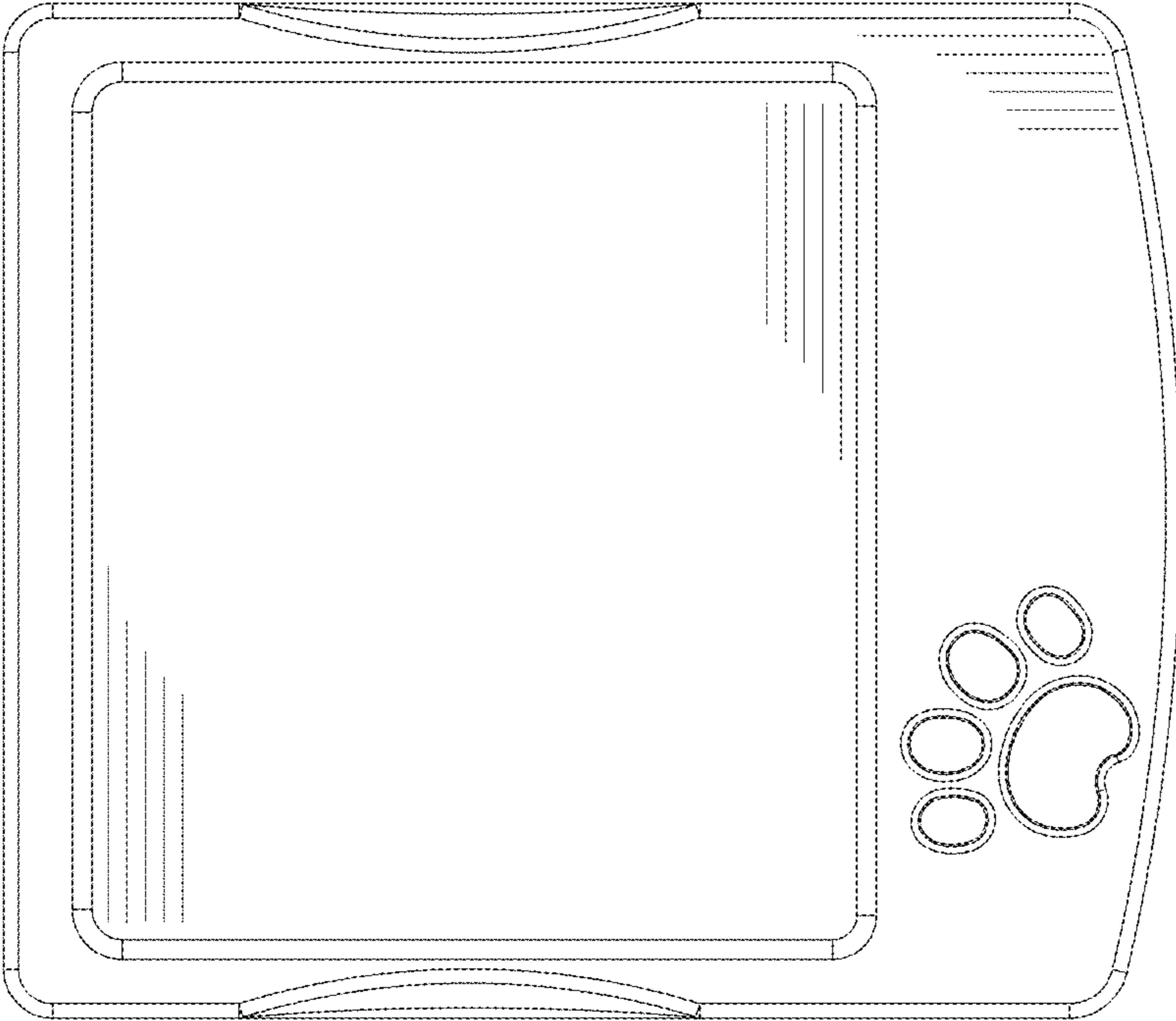


FIG. 3

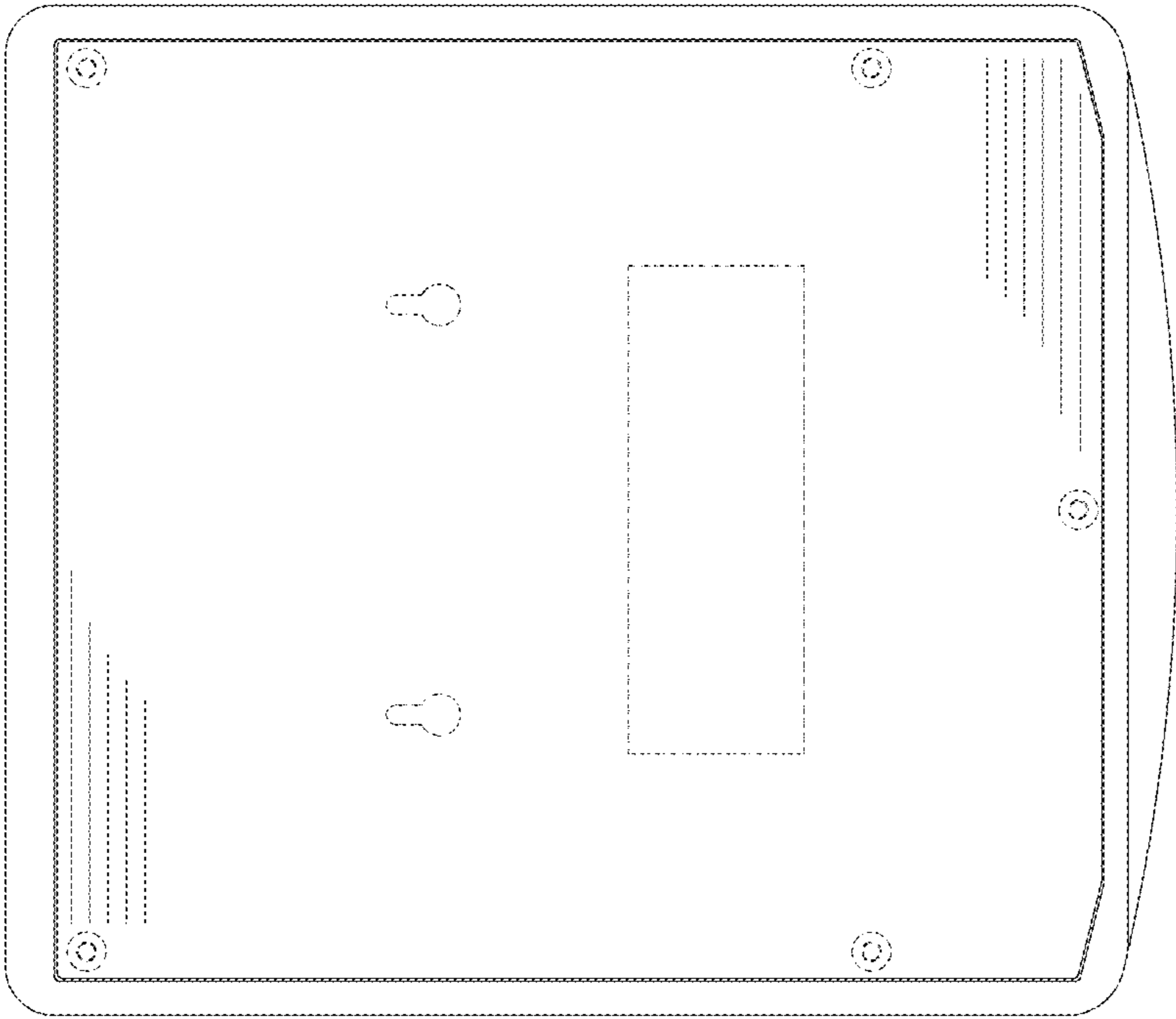


FIG. 4

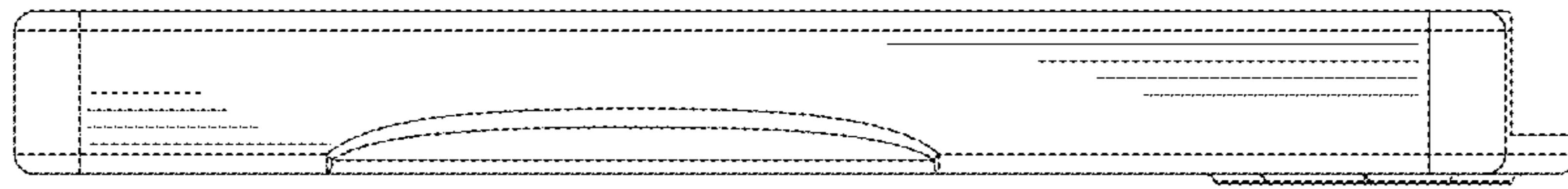


FIG. 6

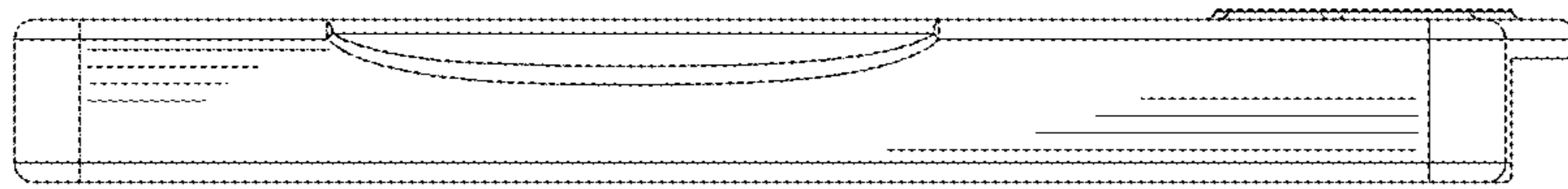


FIG. 5

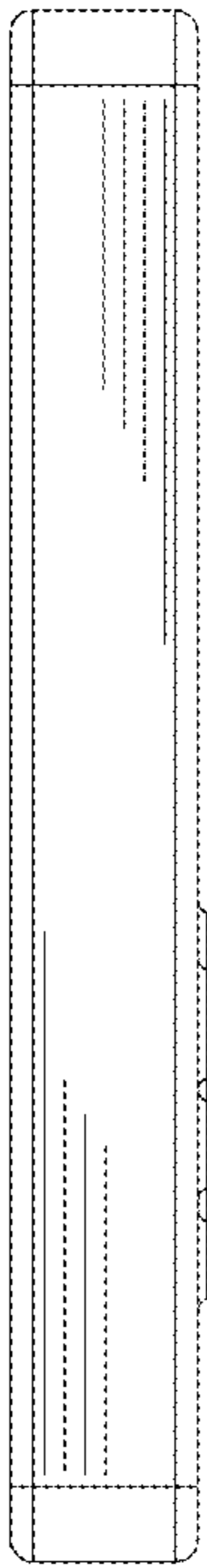


FIG. 7

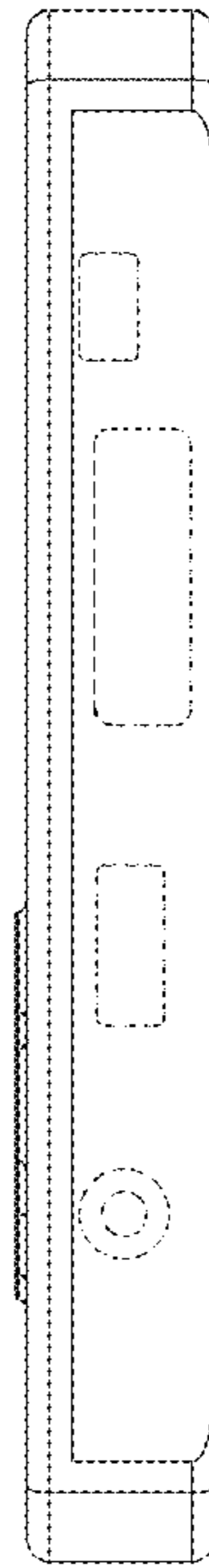


FIG. 8