



US00D822618S

(12) **United States Design Patent**  
**Chu**

(10) **Patent No.:** **US D822,618 S**  
(45) **Date of Patent:** **\*\* Jul. 10, 2018**

(54) **VERTICAL CABLE DUCT**

(71) Applicant: **Eastern Global Corporation**, New Taipei (TW)

(72) Inventor: **Leo Chu**, New Taipei (TW)

(73) Assignee: **EASTERN GLOBAL CORPORATION**, New Taipei (TW)

(\*\*) Term: **15 Years**

(21) Appl. No.: **29/570,619**

(22) Filed: **Jul. 11, 2016**

(51) **LOC (11) Cl.** ..... **13-03**

(52) **U.S. Cl.**  
USPC ..... **D13/155**

(58) **Field of Classification Search**  
USPC ..... D14/432, 433, 435.1, 196, 496, 199;  
D13/103, 108, 109, 110, 133,  
D13/137.1–137.4, 138.1–138.2,  
D13/139.1–139.8, 146, 147, 151,  
D13/152–156, 173, 177, 162, 158, 184,  
D13/107; D8/350, 353–356, 358, 402,  
D8/403; D25/108, 122, 124  
CPC .... H01R 25/00; H01R 25/006; H01R 25/003;  
H01R 13/5845; H01R 13/72; H01R  
13/46; H01R 31/06; H01R 24/28; H01R  
11/00; H01R 9/00; H01B 7/2806; H02J  
2007/0062

See application file for complete search history.

(56) **References Cited**

**U.S. PATENT DOCUMENTS**

D260,144 S \* 8/1981 Miyamoto ..... D13/153  
D260,145 S \* 8/1981 Miyamoto ..... D13/153

(Continued)

*Primary Examiner* — Rosemary K Tarca  
*Assistant Examiner* — Christy M Nemeth

(74) *Attorney, Agent, or Firm* — Jackson IPG PLLC;  
Demian K. Jackson

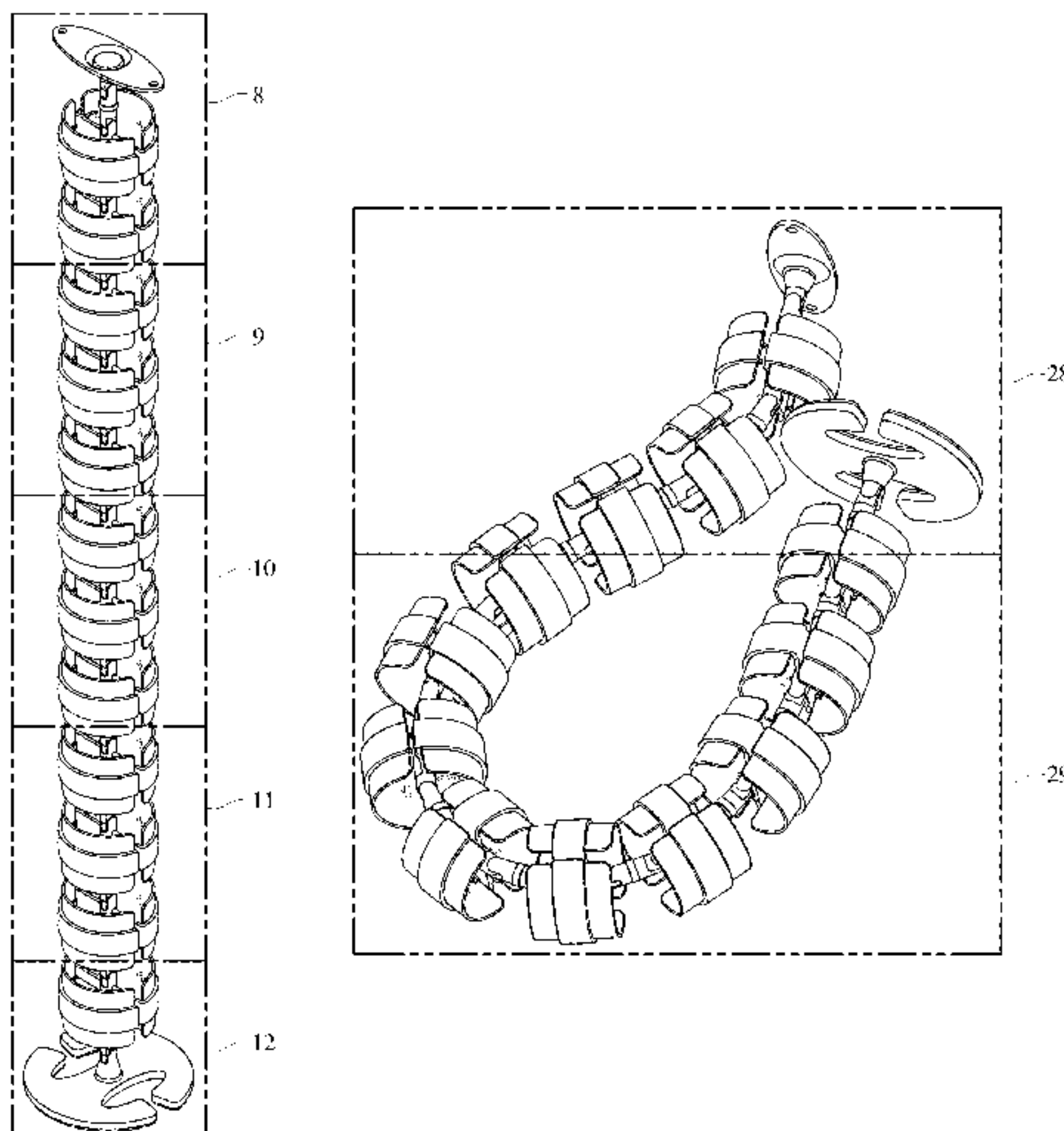
(57) **CLAIM**

The ornamental design for a vertical cable duct, as shown and described.

**DESCRIPTION**

FIG. 1 is a perspective view of a vertical cable duct showing my new design;  
FIG. 2 is a front elevational view thereof; the rear side being a mirror image;  
FIG. 3 is a left side elevational view thereof;  
FIG. 4 is a right side elevational view thereof;  
FIG. 5 is a top plan view thereof;  
FIG. 6 is a bottom plan view thereof;  
FIG. 7 is a perspective view of the vertical cable duct in a bent configuration;  
FIG. 8 is an enlarged view of item 8 shown in FIG. 1;  
FIG. 9 is an enlarged view of item 9 shown in FIG. 1;  
FIG. 10 is an enlarged view of item 10 shown in FIG. 1;  
FIG. 11 is an enlarged view of item 11 shown in FIG. 1;  
FIG. 12 is an enlarged view of item 12 shown in FIG. 1;  
FIG. 13 is an enlarged view of item 13 shown in FIG. 2;  
FIG. 14 is an enlarged view of item 14 shown in FIG. 2;  
FIG. 15 is an enlarged view of item 15 shown in FIG. 2;  
FIG. 16 is an enlarged view of item 16 shown in FIG. 2;  
FIG. 17 is an enlarged view of item 17 shown in FIG. 2;  
FIG. 18 is an enlarged view of item 18 shown in FIG. 3;  
FIG. 19 is an enlarged view of item 19 shown in FIG. 3;  
FIG. 20 is an enlarged view of item 20 shown in FIG. 3;  
FIG. 21 is an enlarged view of item 21 shown in FIG. 3;  
FIG. 22 is an enlarged view of item 22 shown in FIG. 3;  
FIG. 23 is an enlarged view of item 23 shown in FIG. 4;  
FIG. 24 is an enlarged view of item 24 shown in FIG. 4;  
FIG. 25 is an enlarged view of item 25 shown in FIG. 4;  
FIG. 26 is an enlarged view of item 26 shown in FIG. 4;  
FIG. 27 is an enlarged view of item 27 shown in FIG. 4;  
FIG. 28 is an enlarged view of item 28 shown in FIG. 7; and  
FIG. 29 is an enlarged view of item 29 shown in FIG. 7.

**1 Claim, 28 Drawing Sheets**



(56)

**References Cited**

U.S. PATENT DOCUMENTS

D380,736 S \* 7/1997 Theis ..... D13/155  
D439,564 S \* 3/2001 Huang ..... D13/153  
2013/0341061 A1\* 12/2013 Kaihotsu ..... H02G 3/0475  
174/68.3

\* cited by examiner

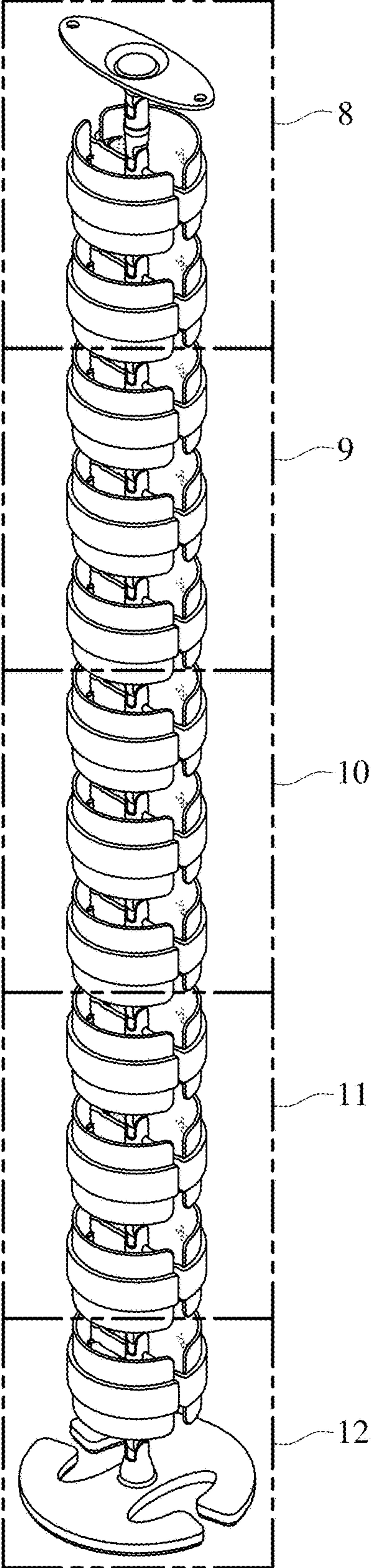


FIG. 1

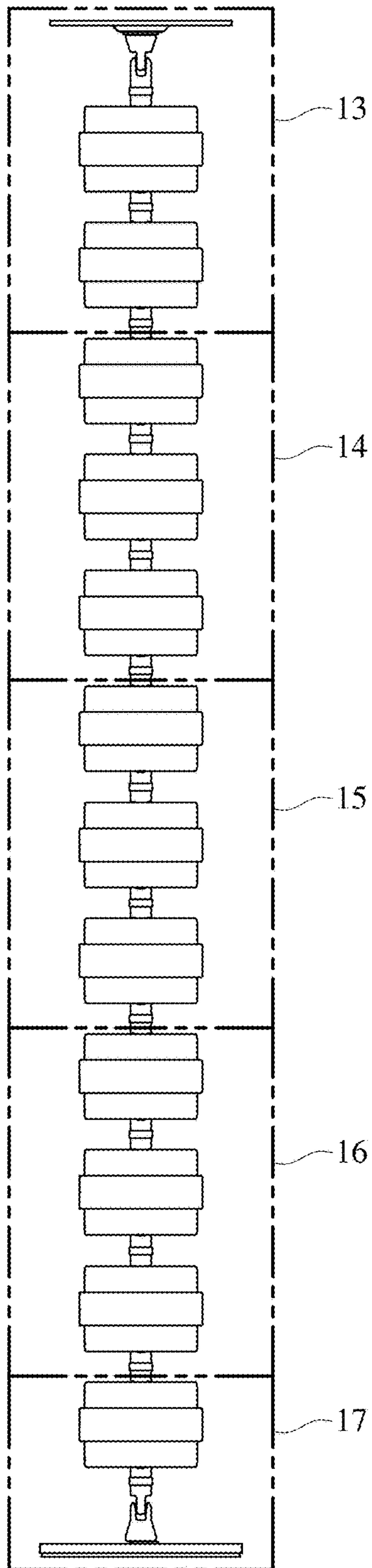


FIG. 2

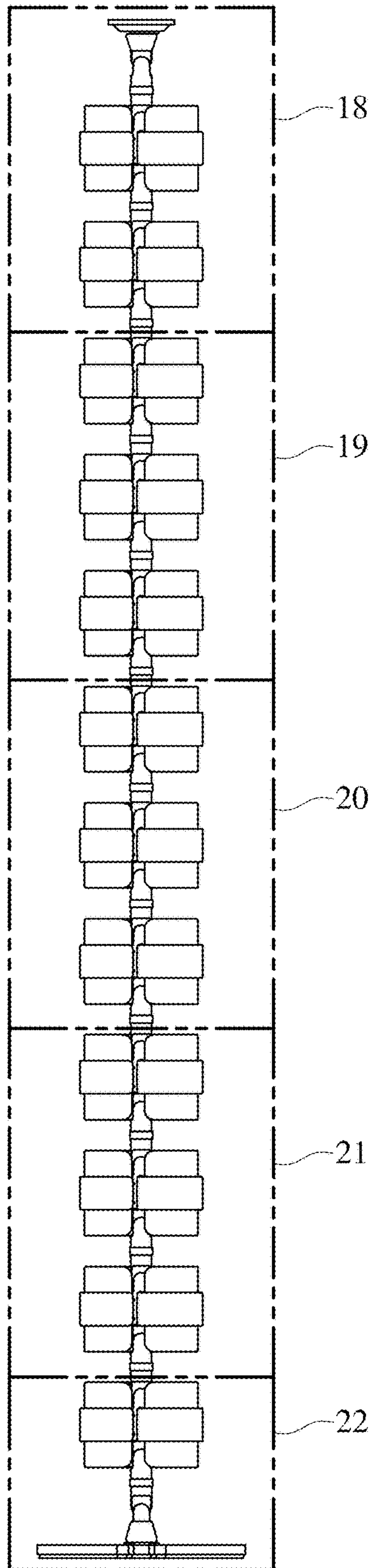


FIG. 3



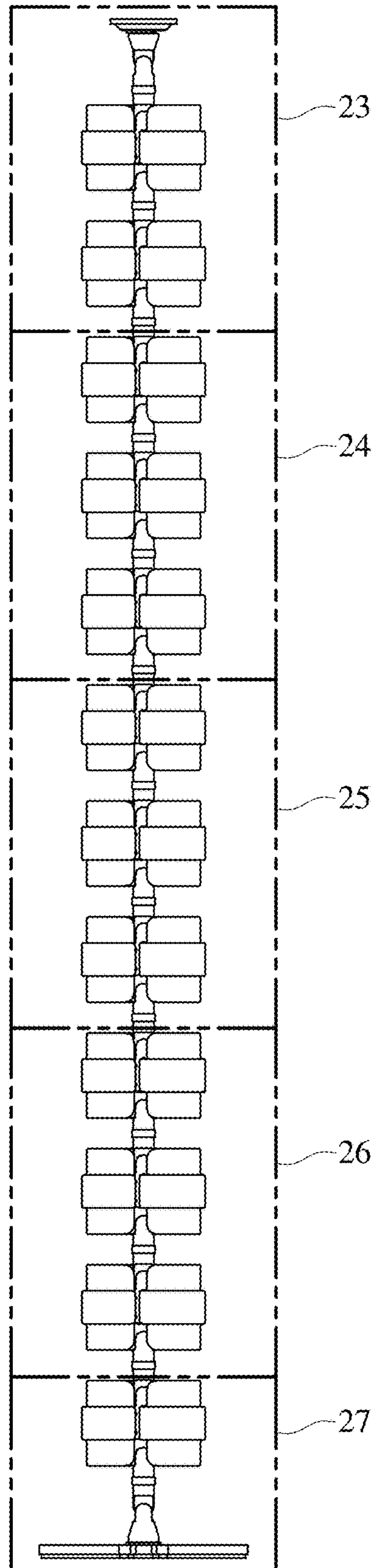


FIG. 4

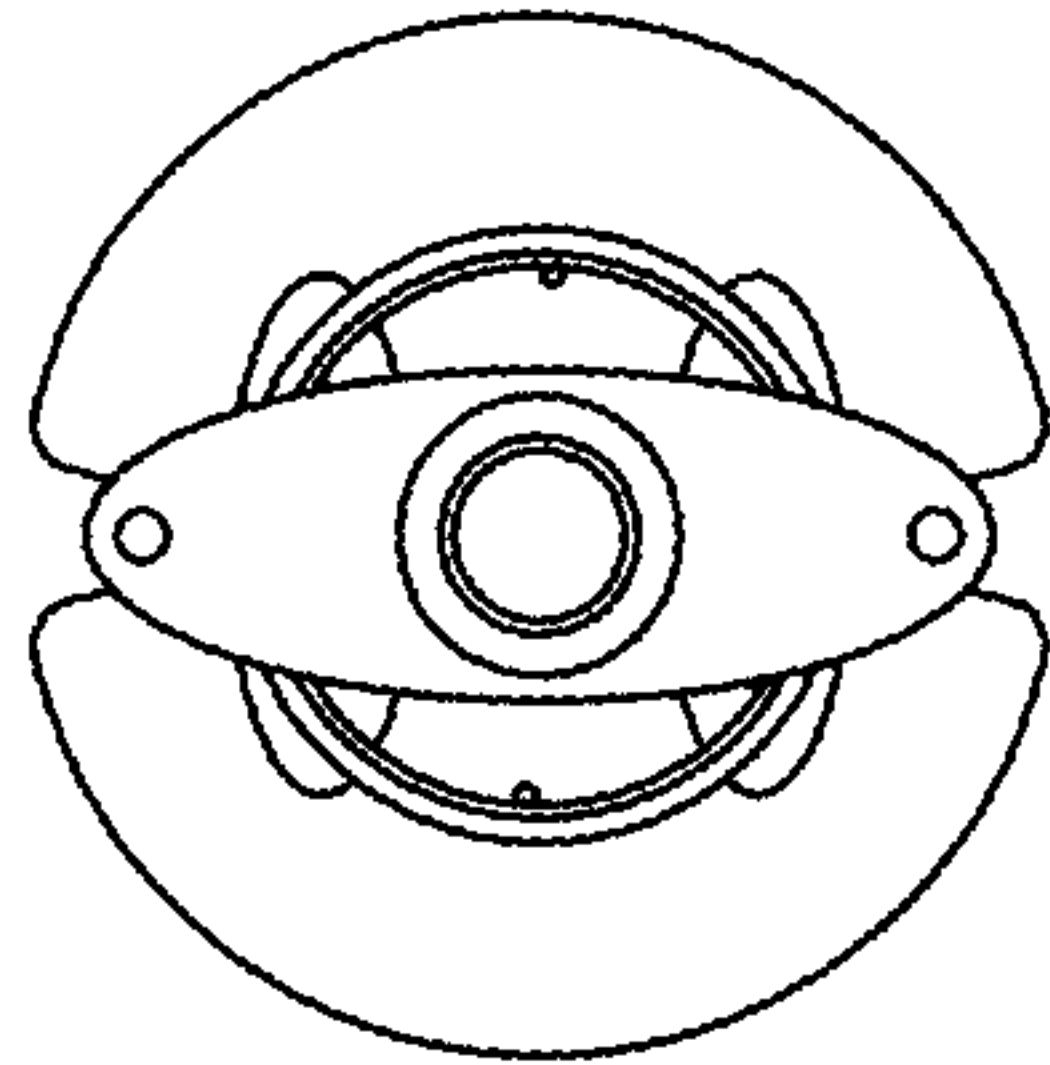


FIG. 5

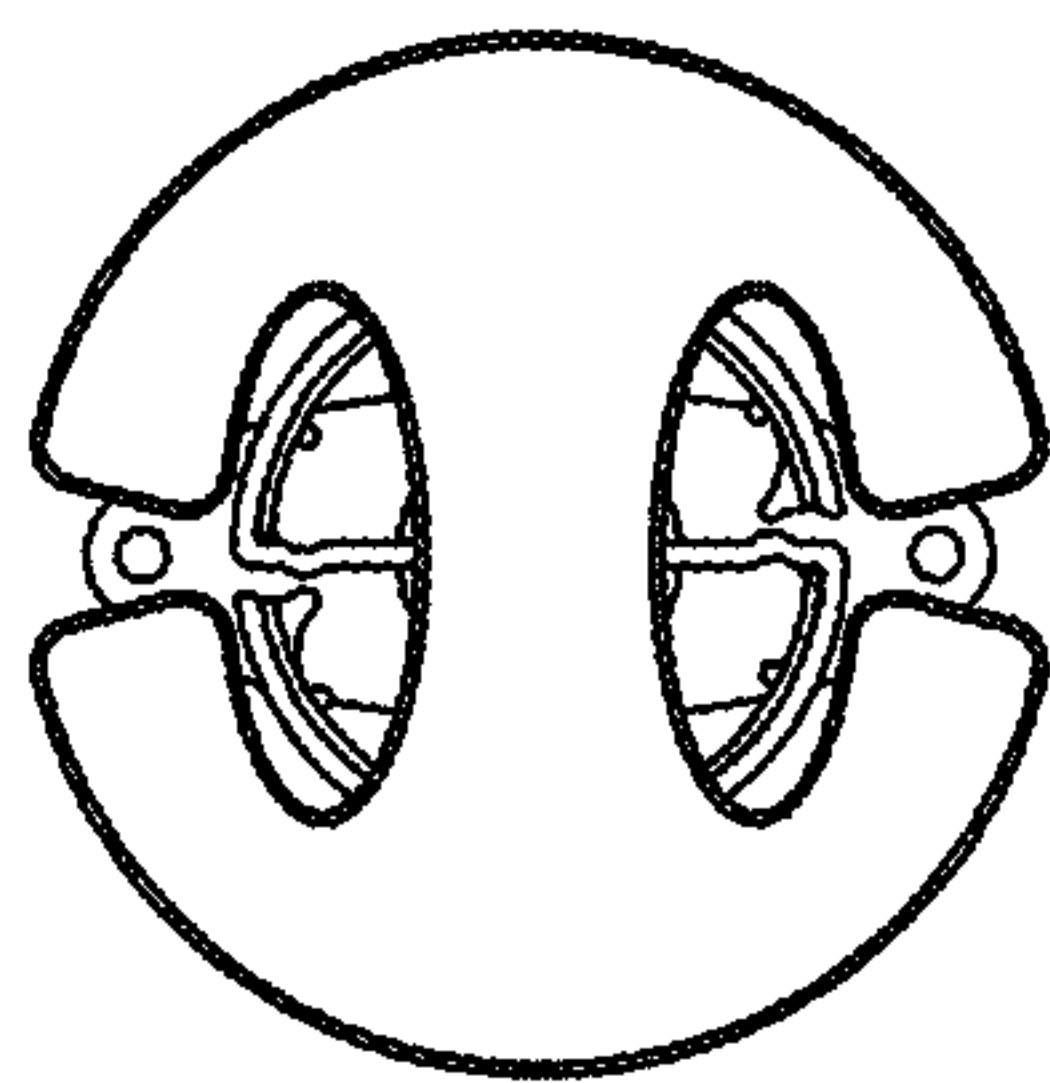


FIG. 6

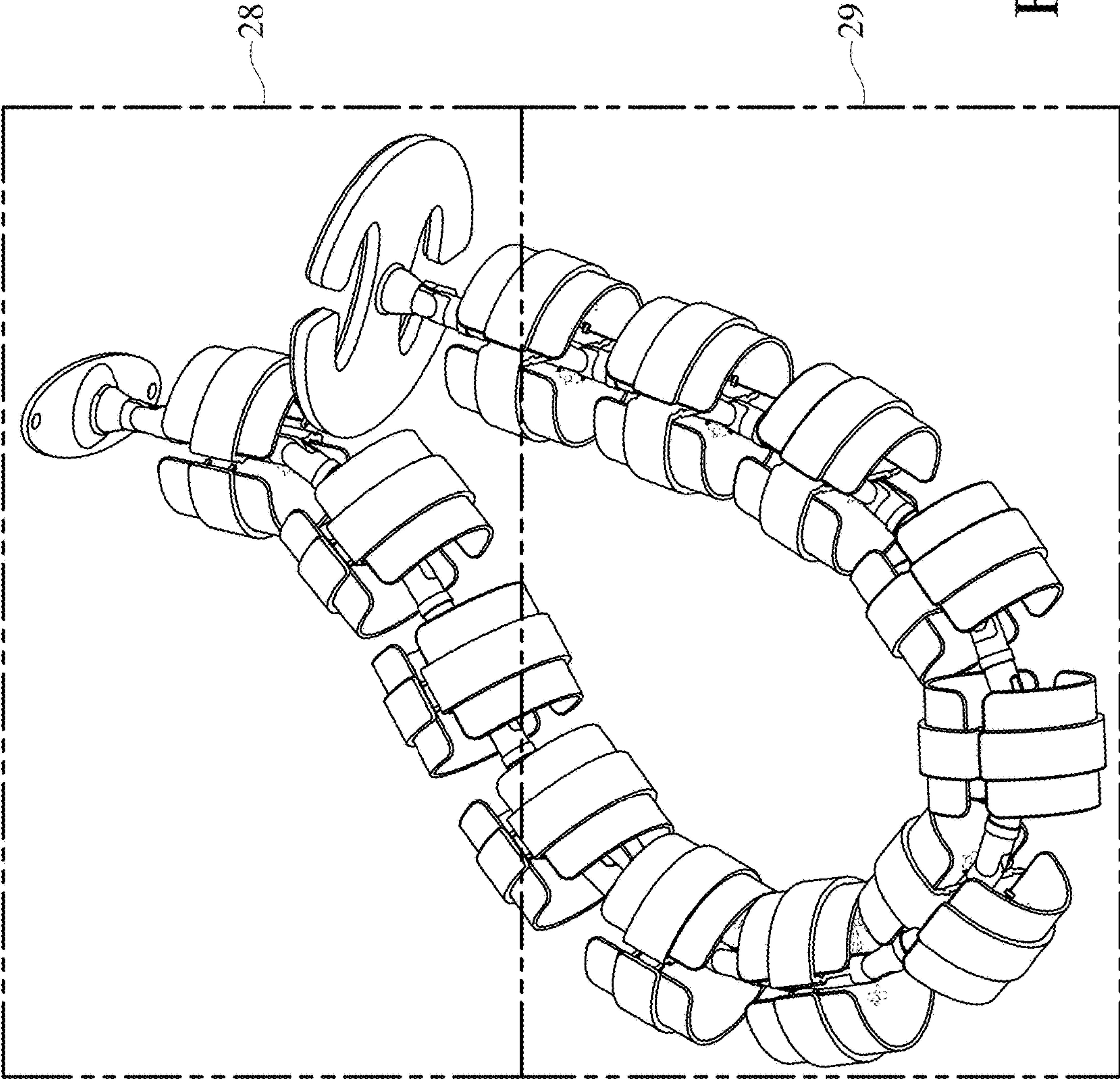


FIG. 7



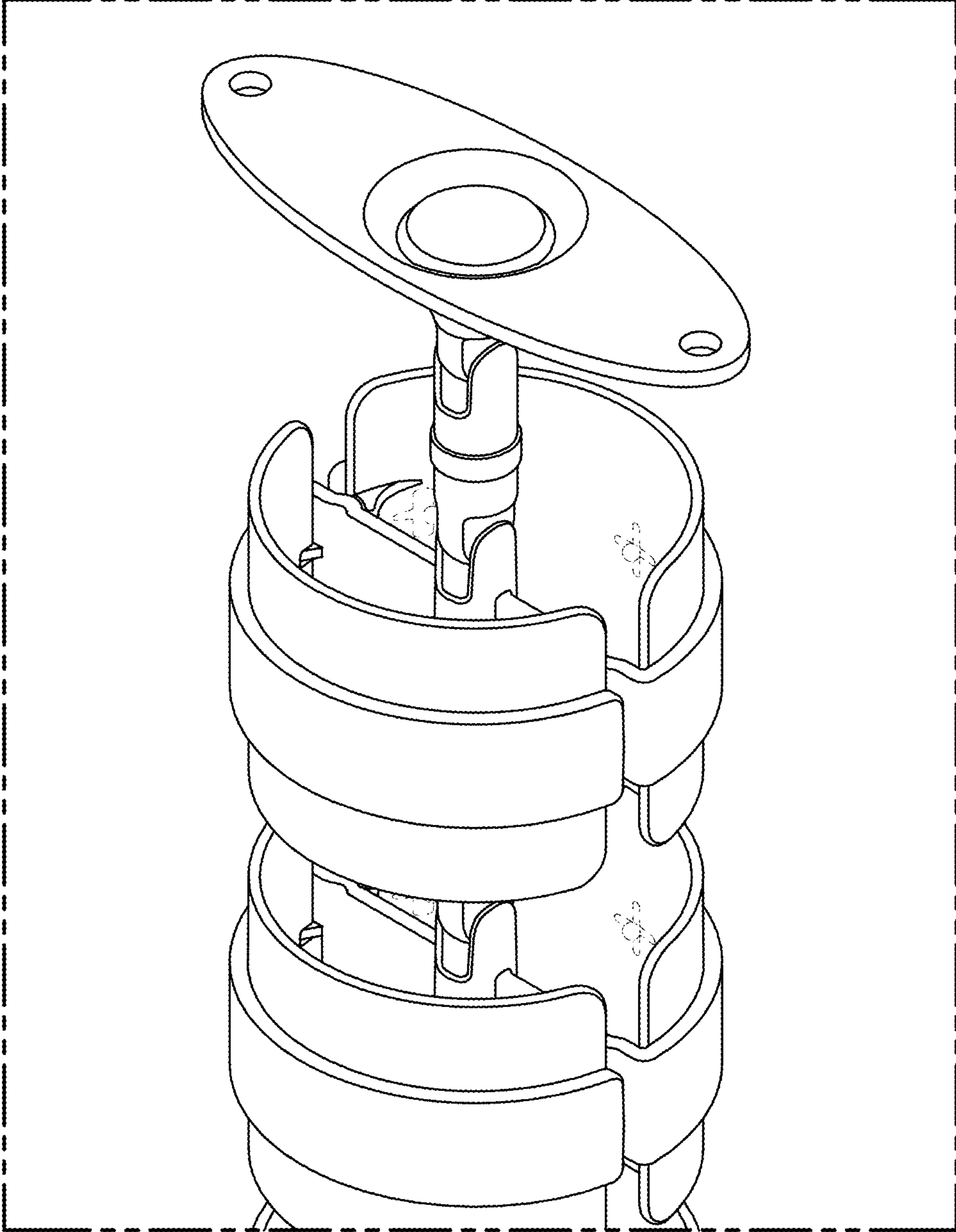


FIG. 8

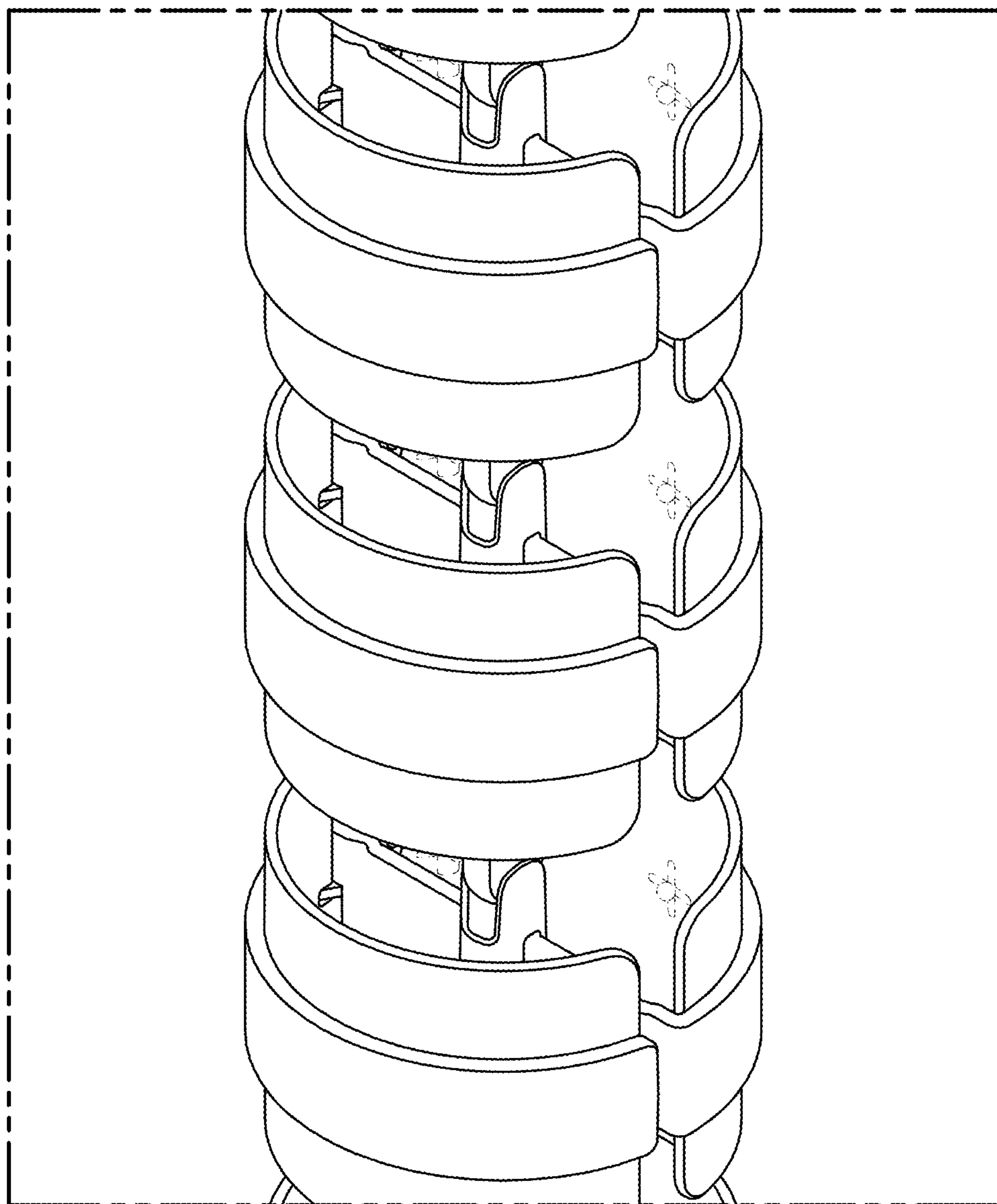


FIG. 9

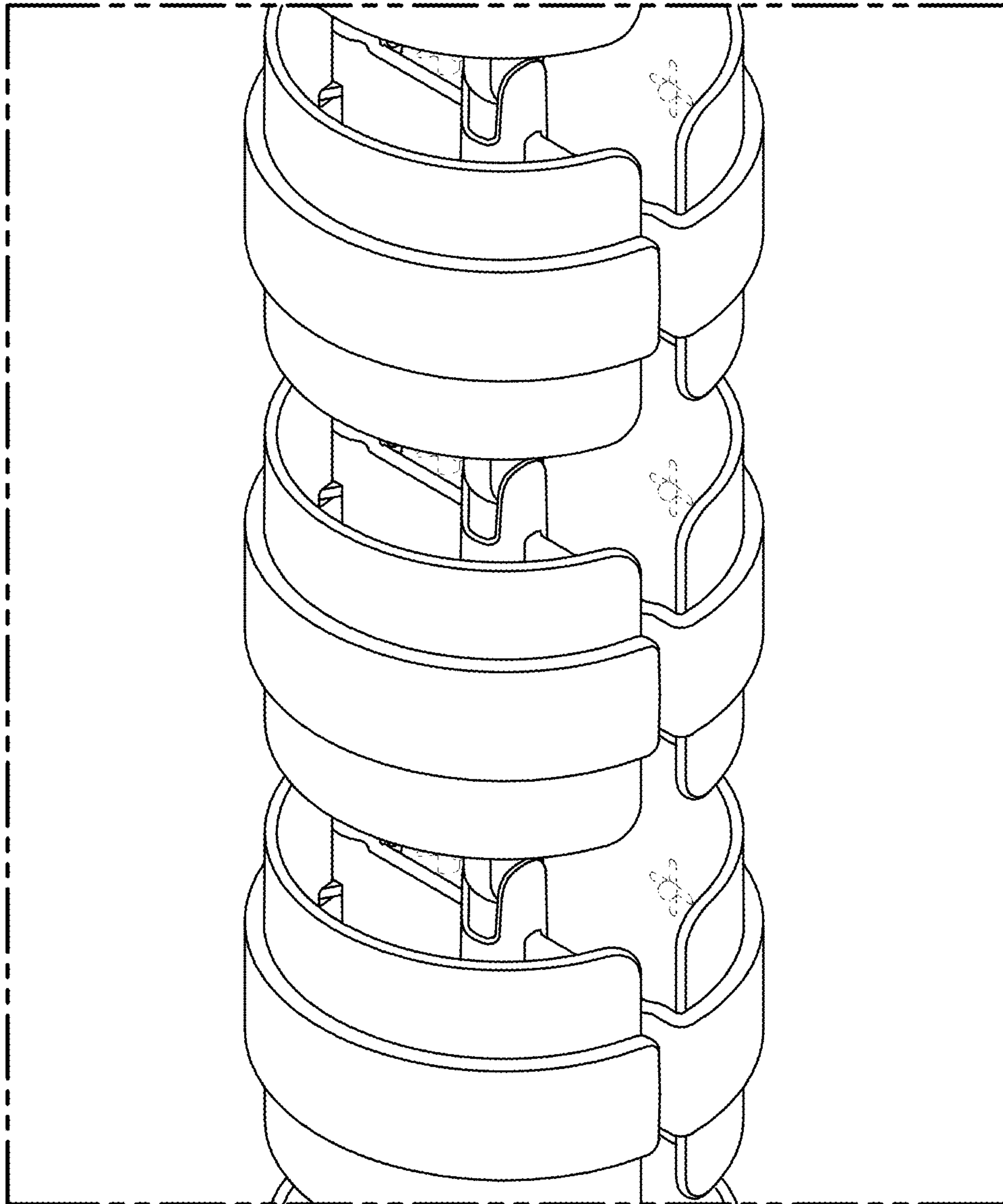


FIG. 10

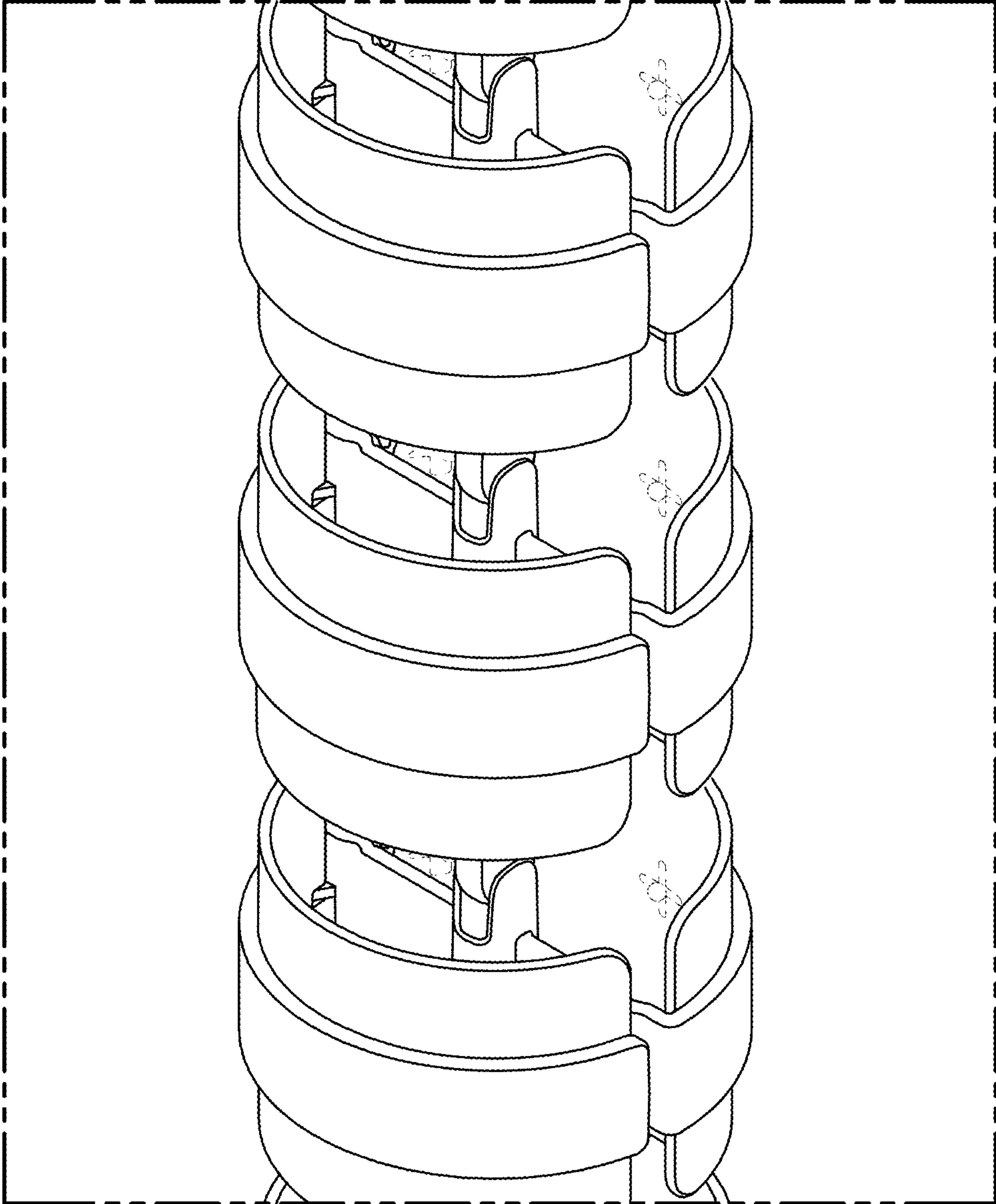


FIG. 11

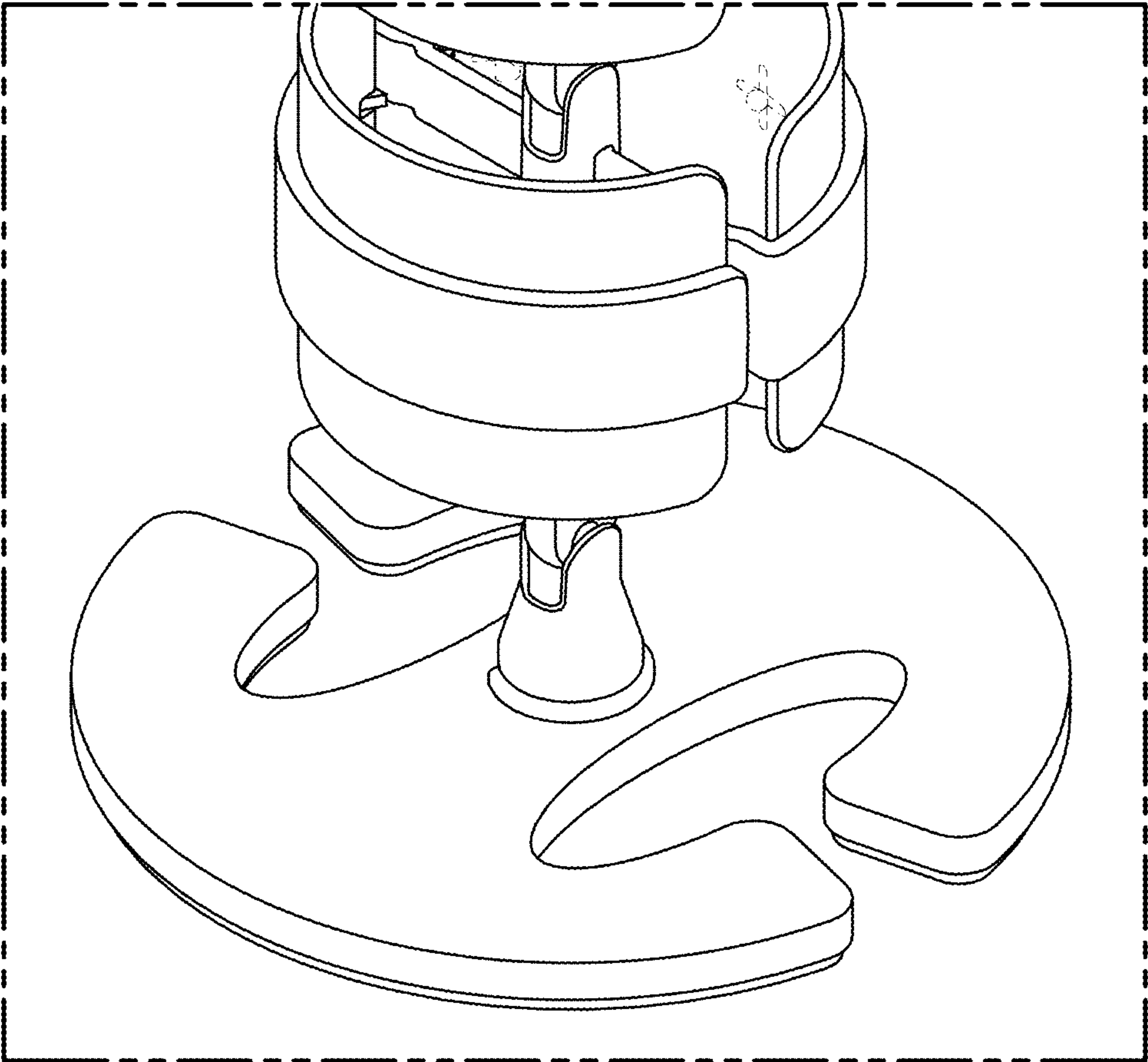


FIG. 12



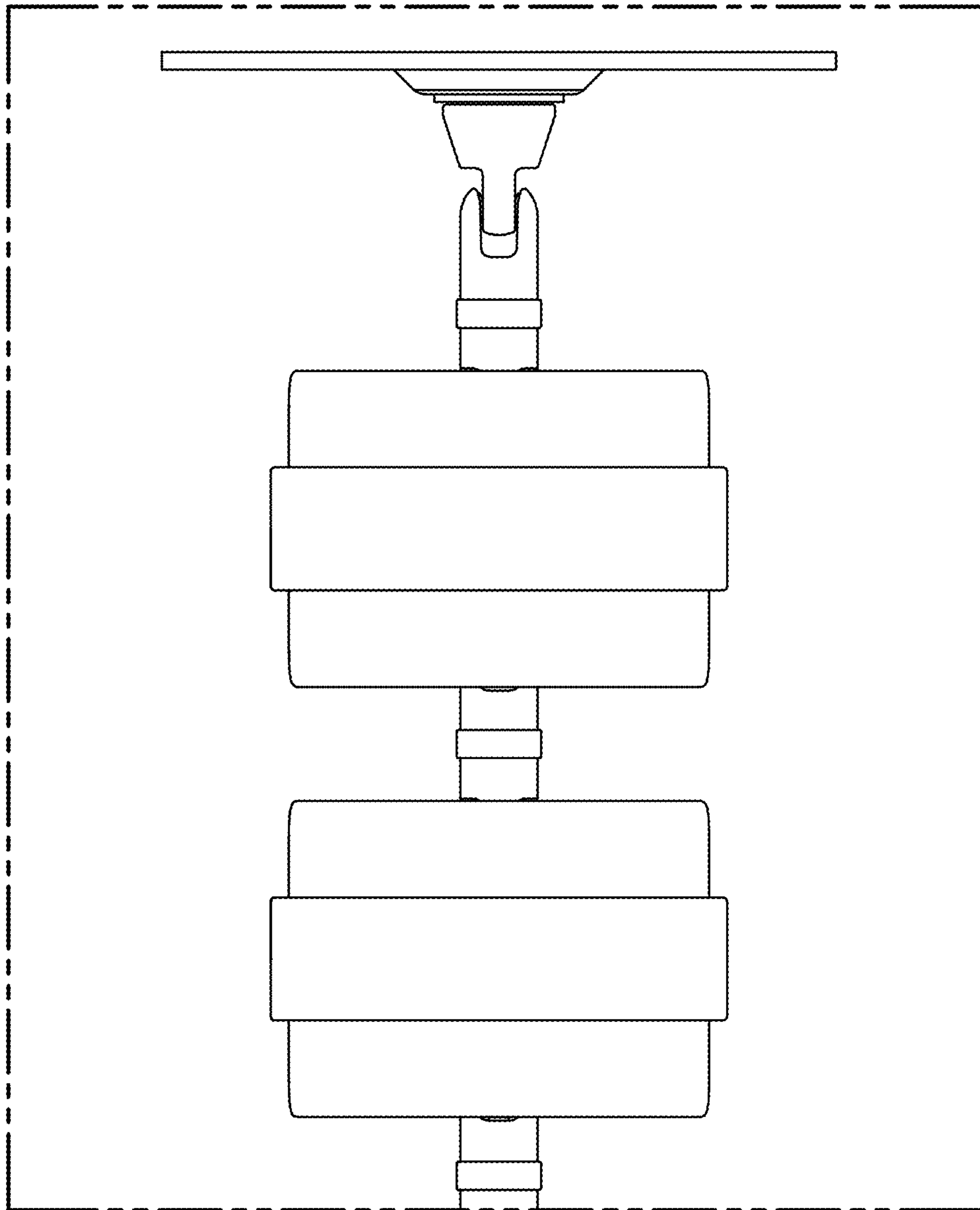


FIG. 13

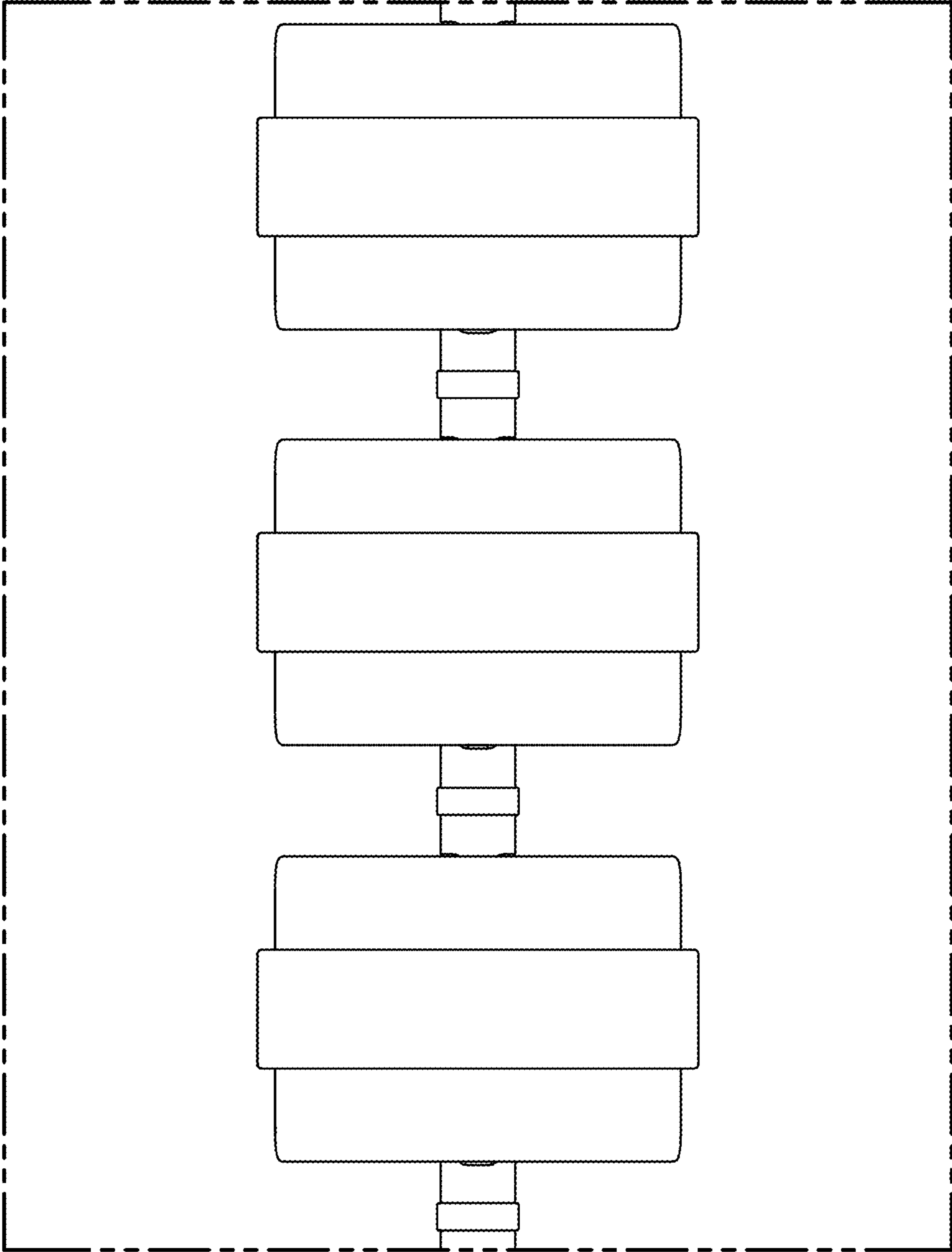


FIG. 14

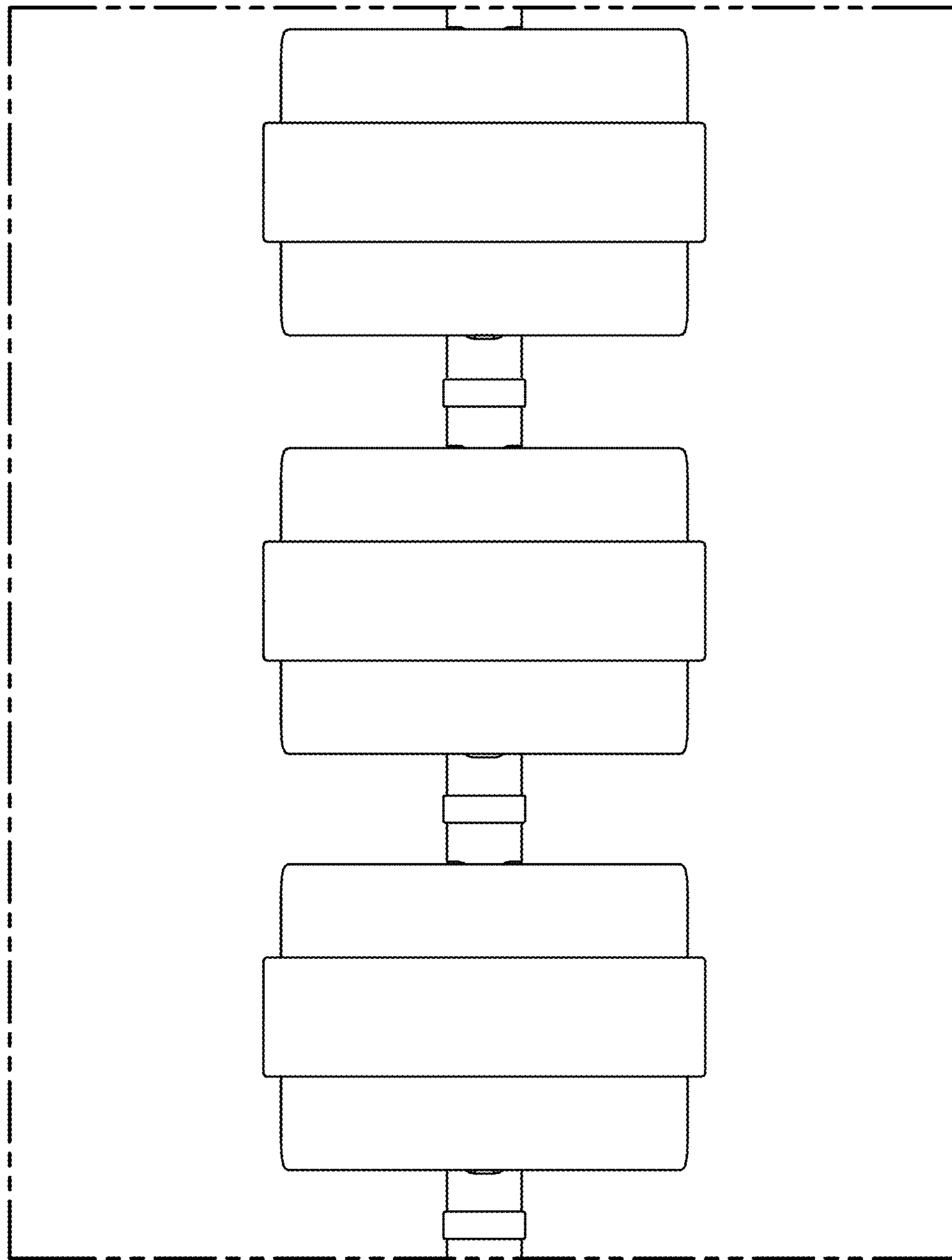


FIG. 15

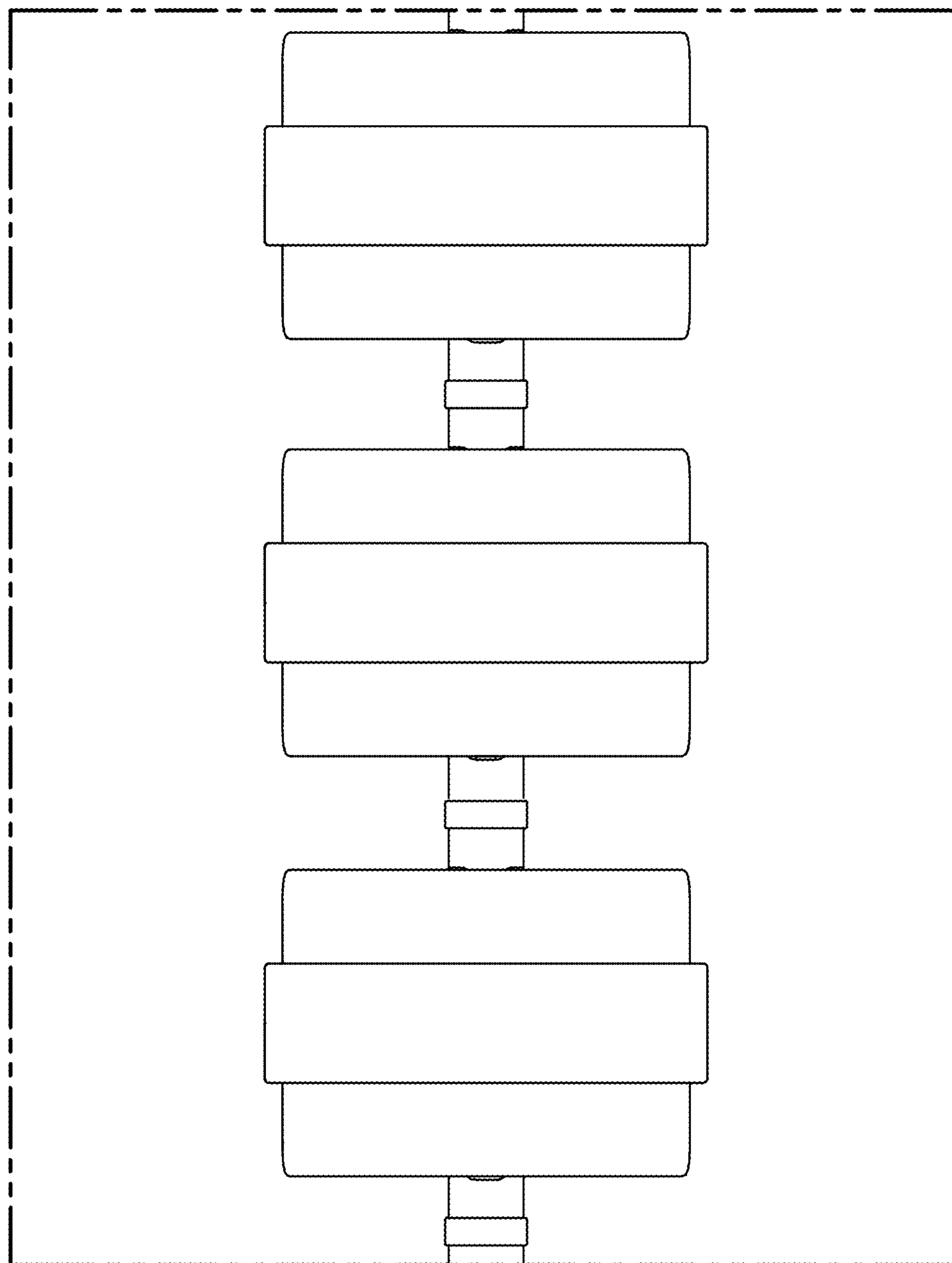


FIG. 16

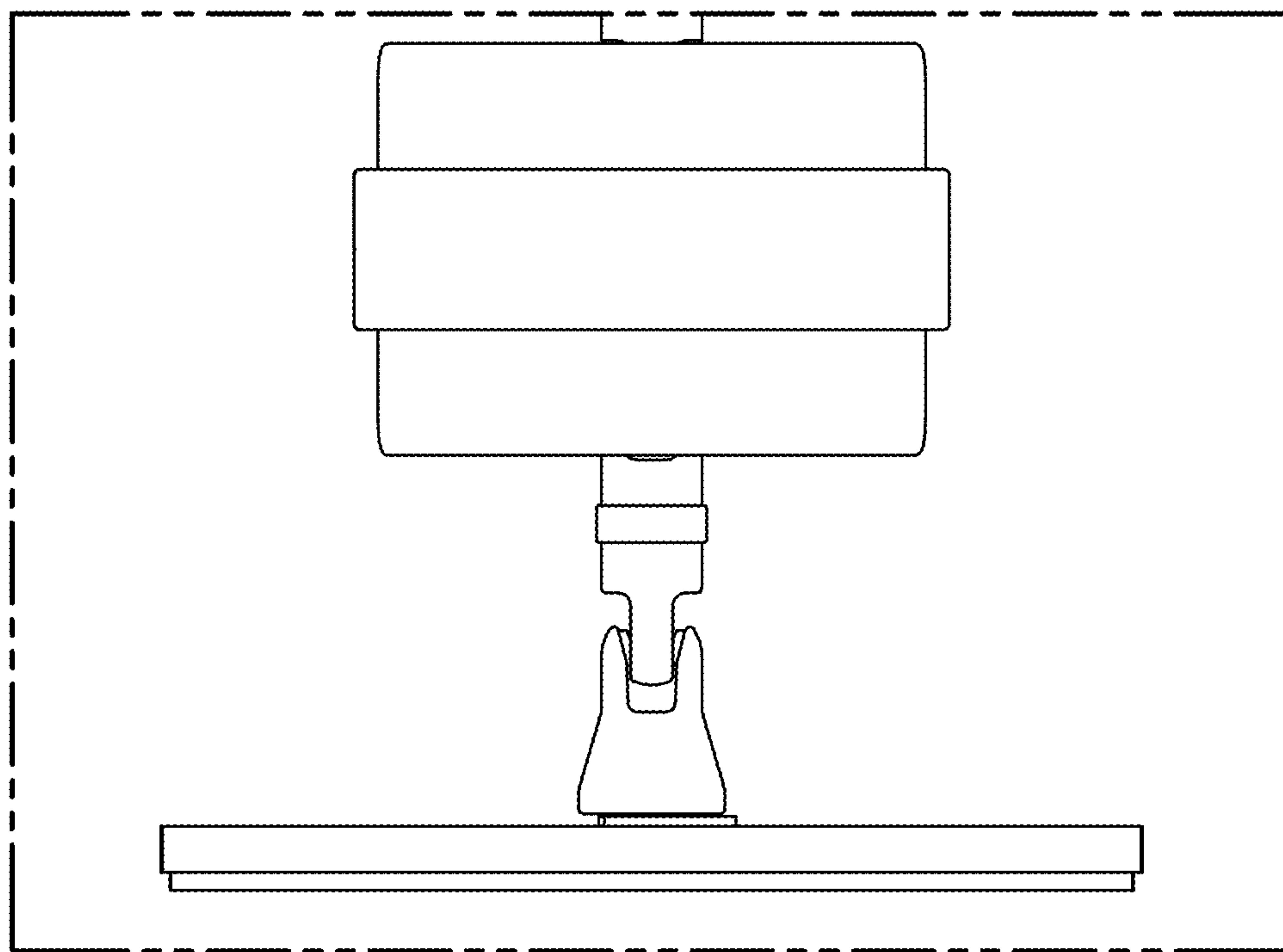


FIG. 17



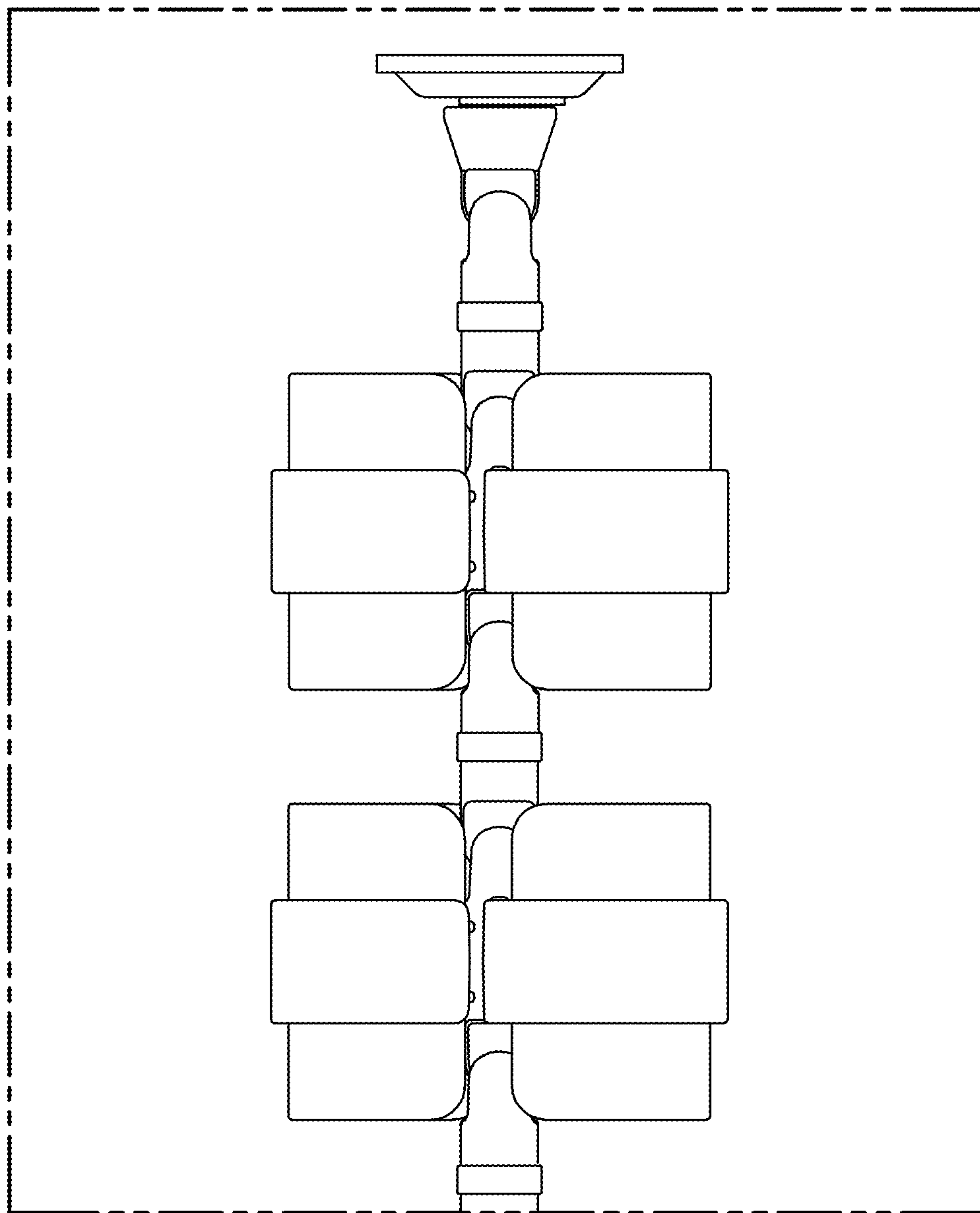


FIG. 18

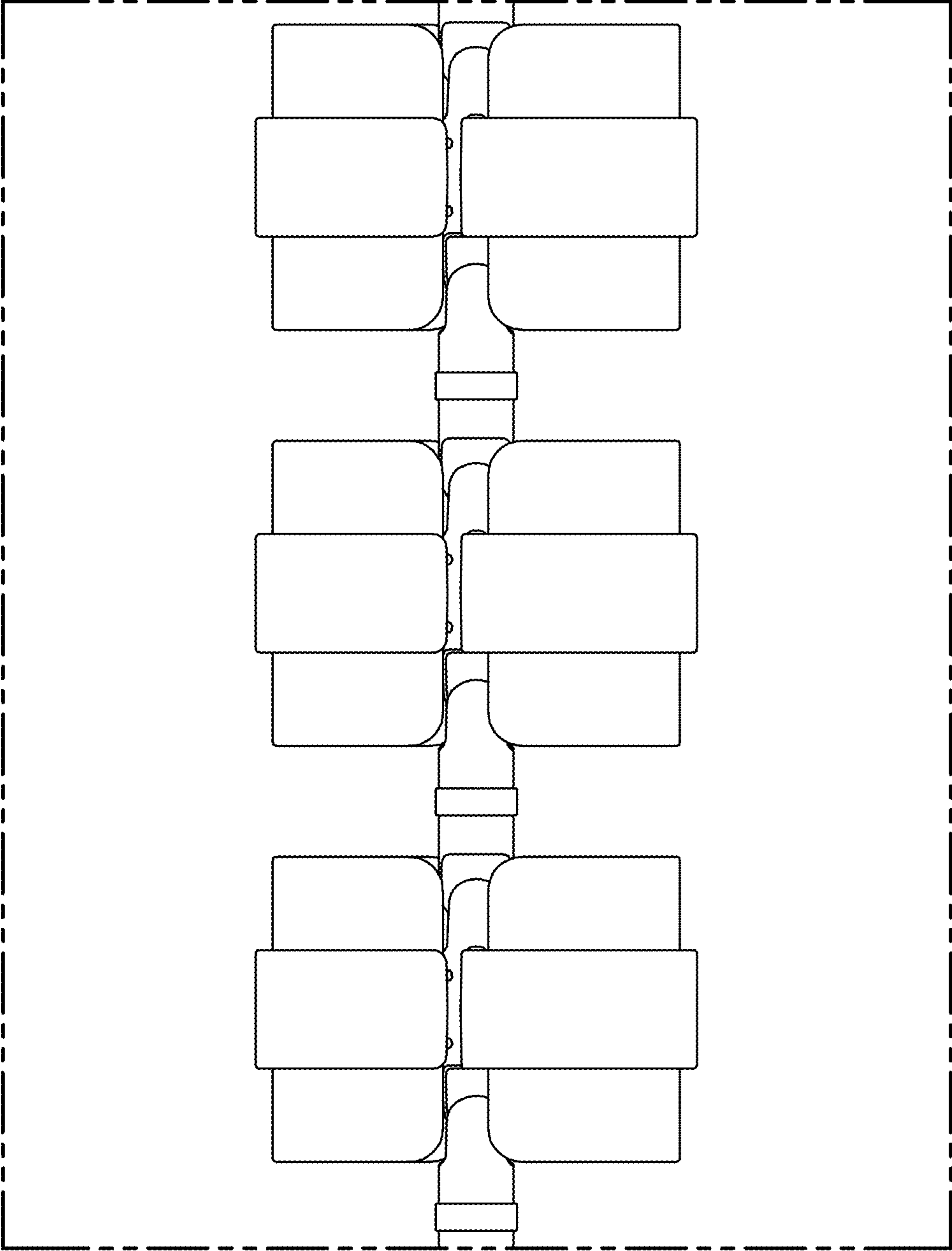


FIG. 19

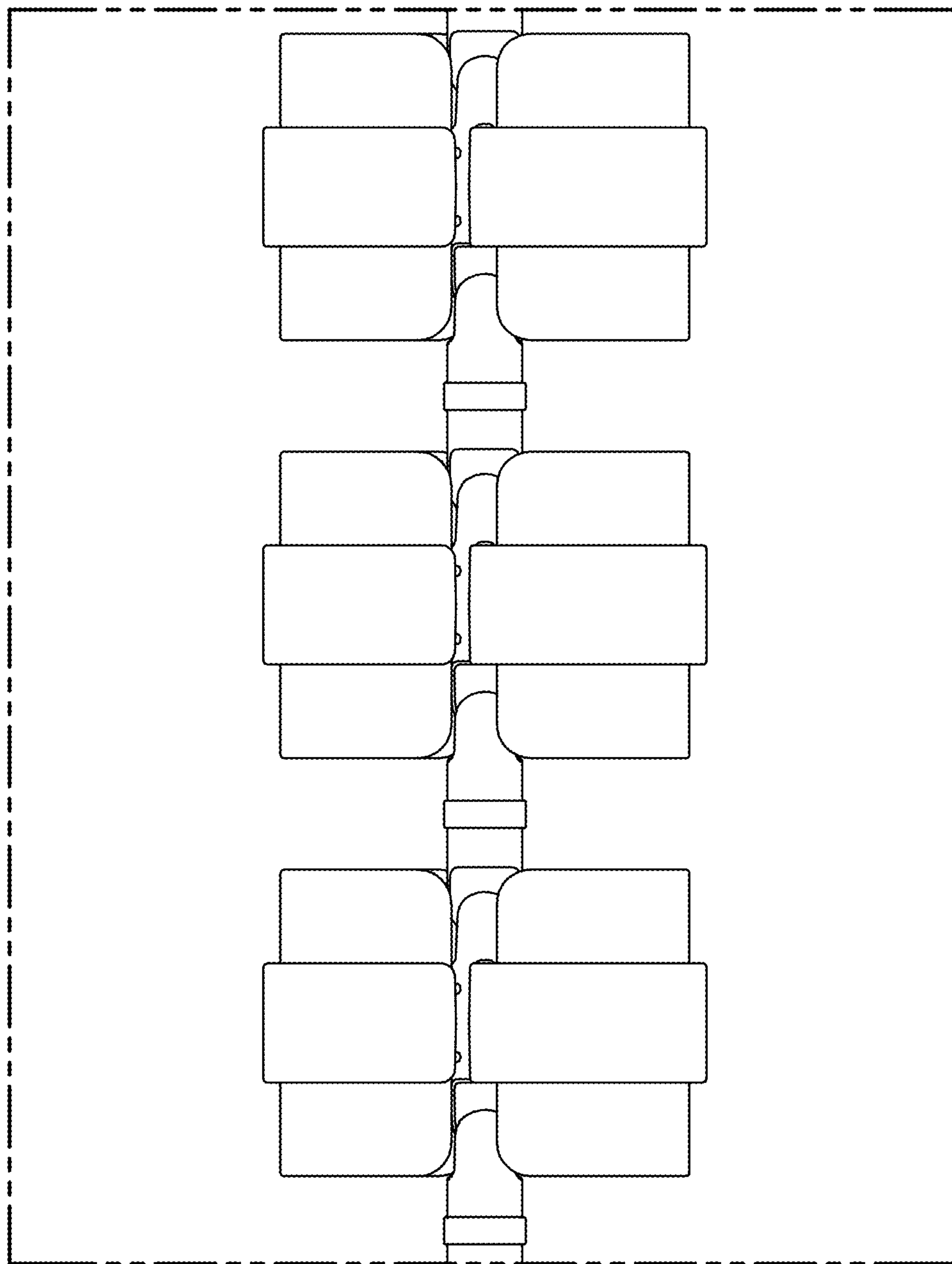


FIG. 20

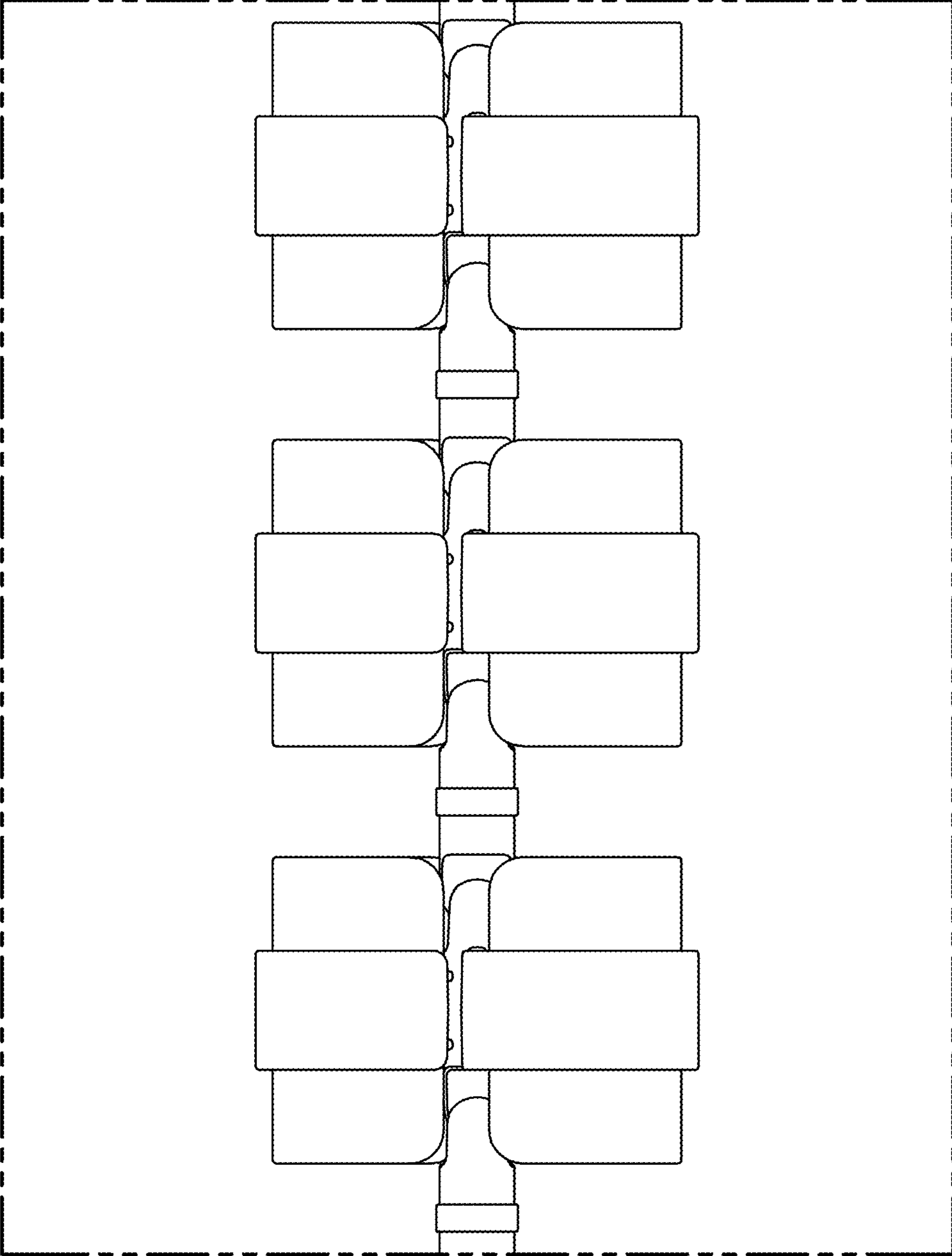


FIG. 21

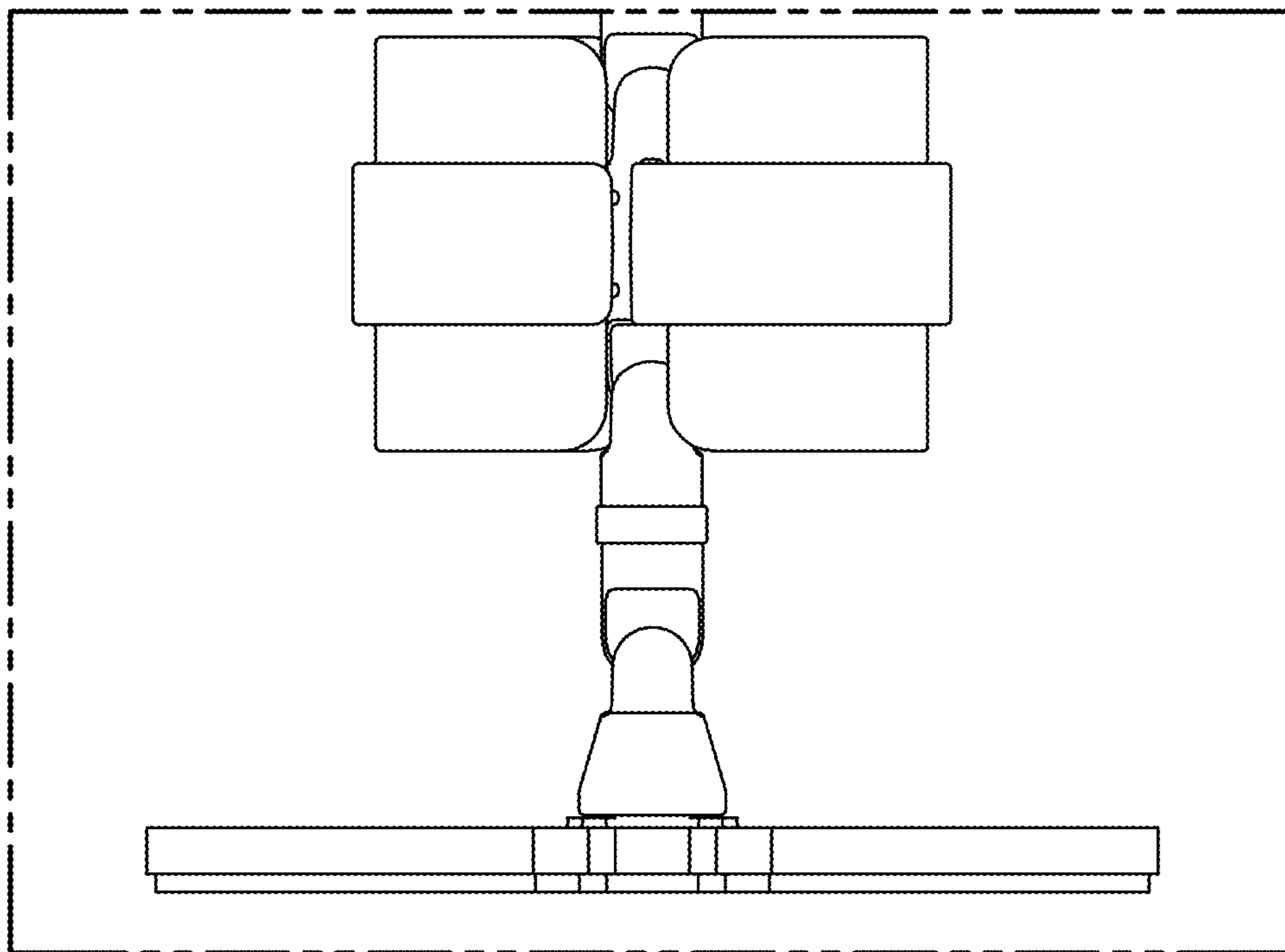


FIG. 22



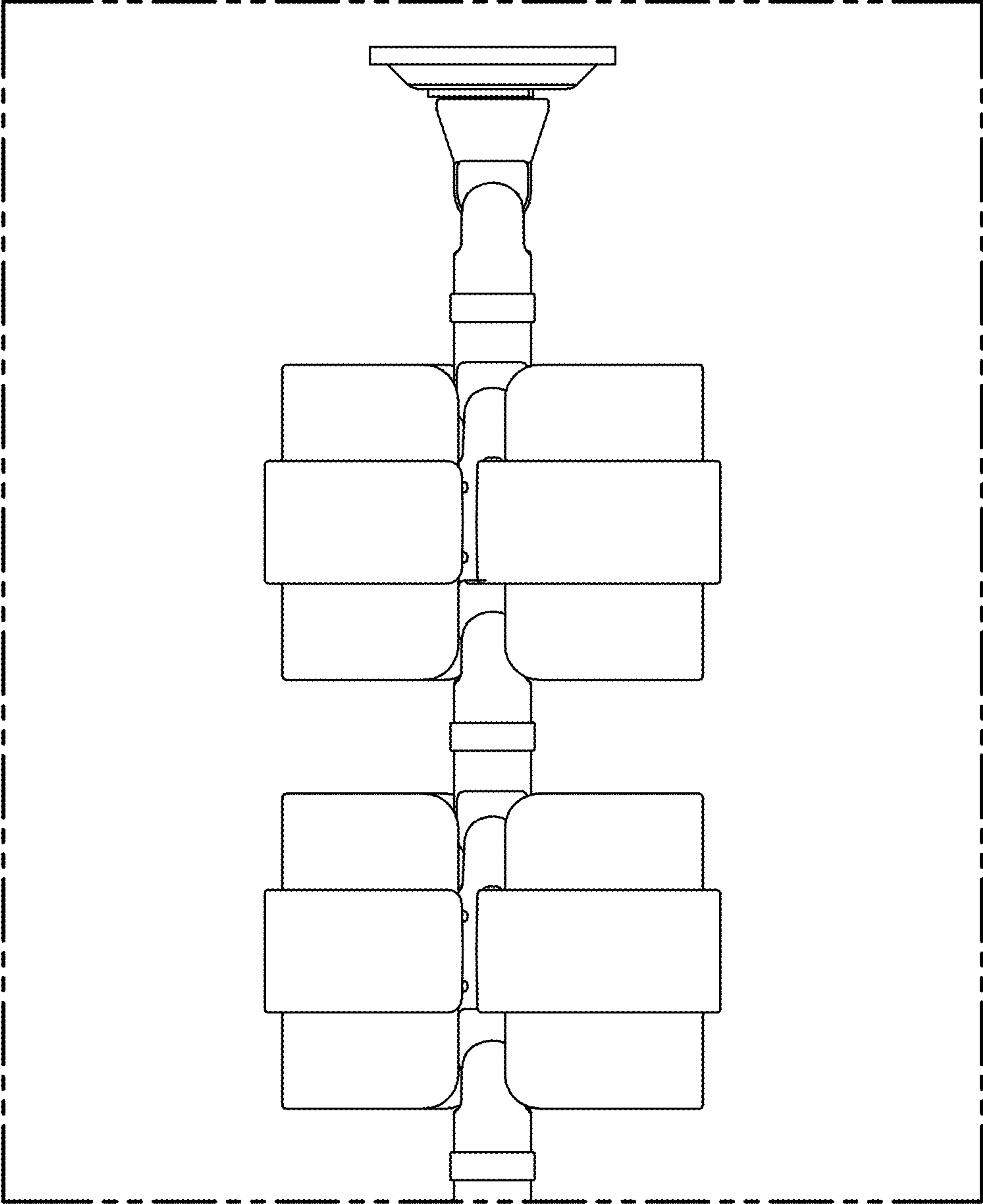


FIG. 23

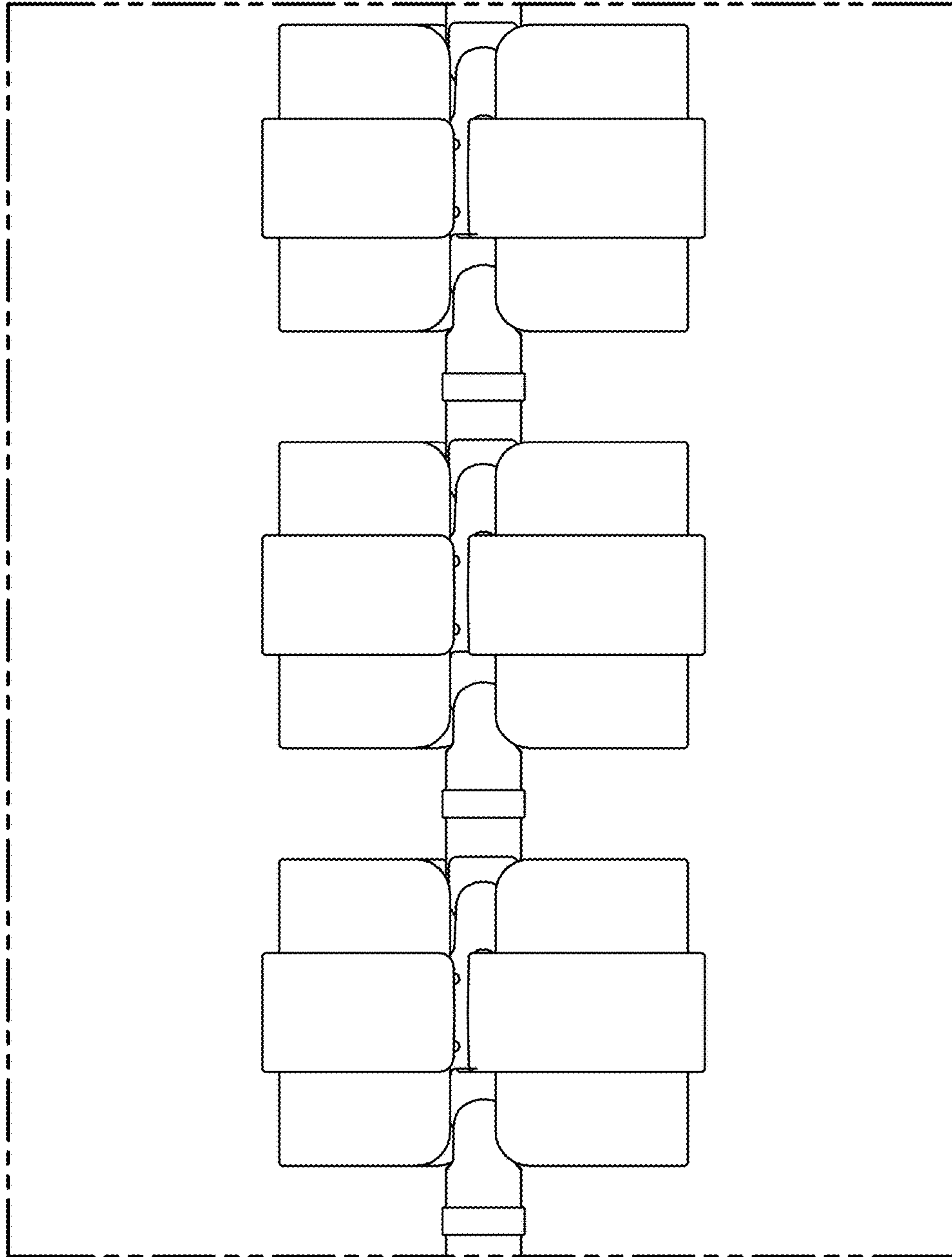


FIG. 24

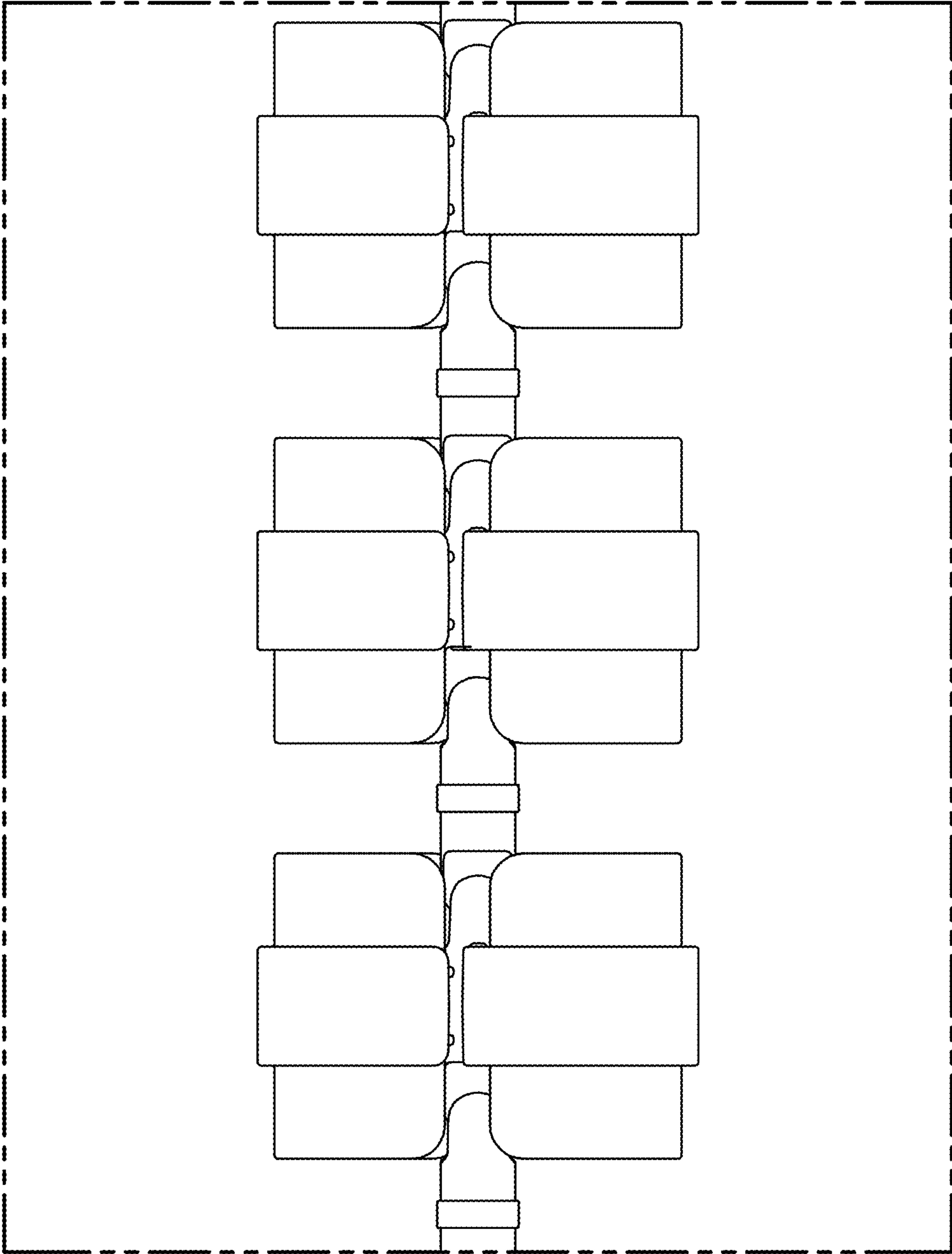


FIG. 25

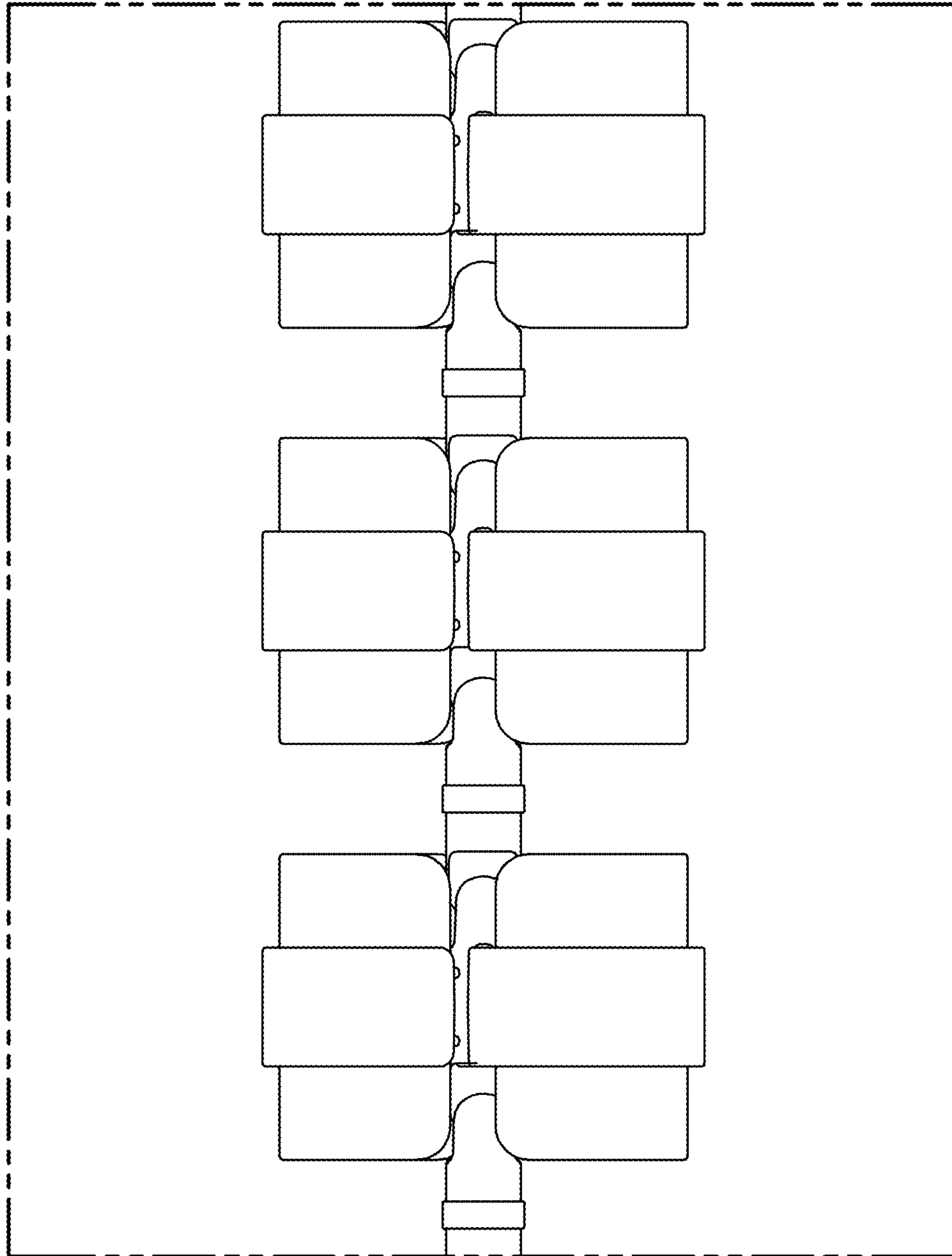


FIG. 26

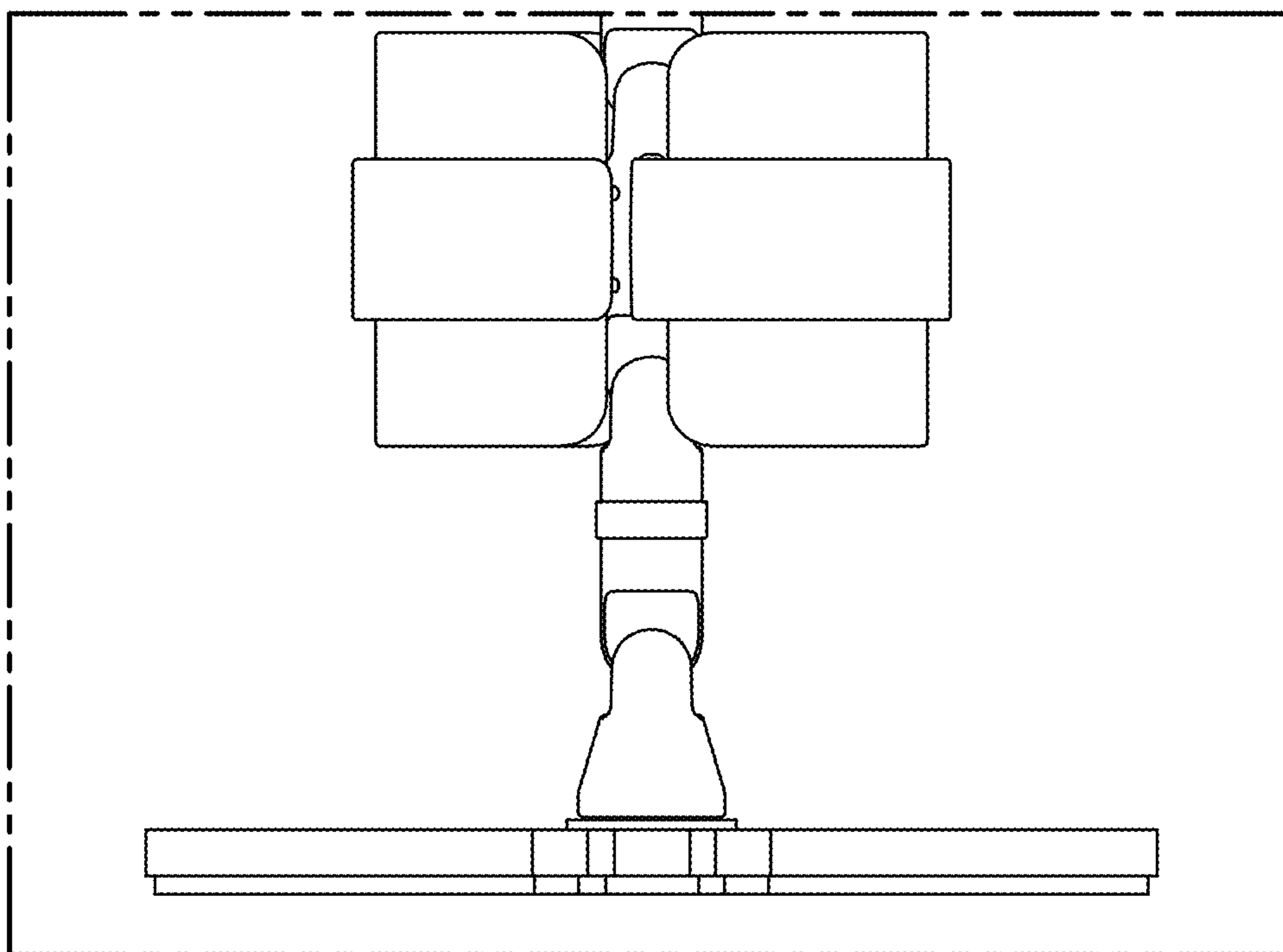


FIG. 27



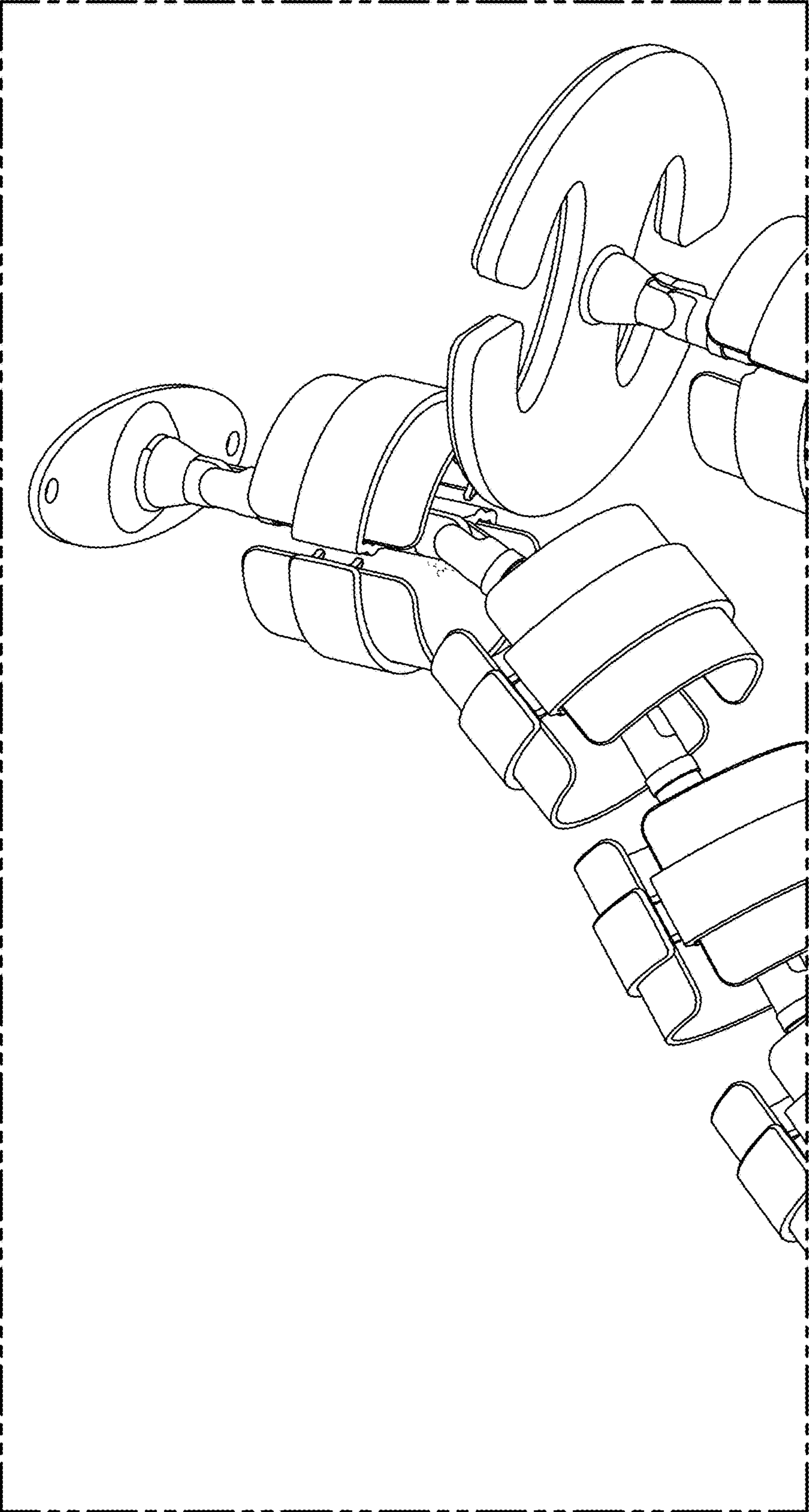


FIG. 28

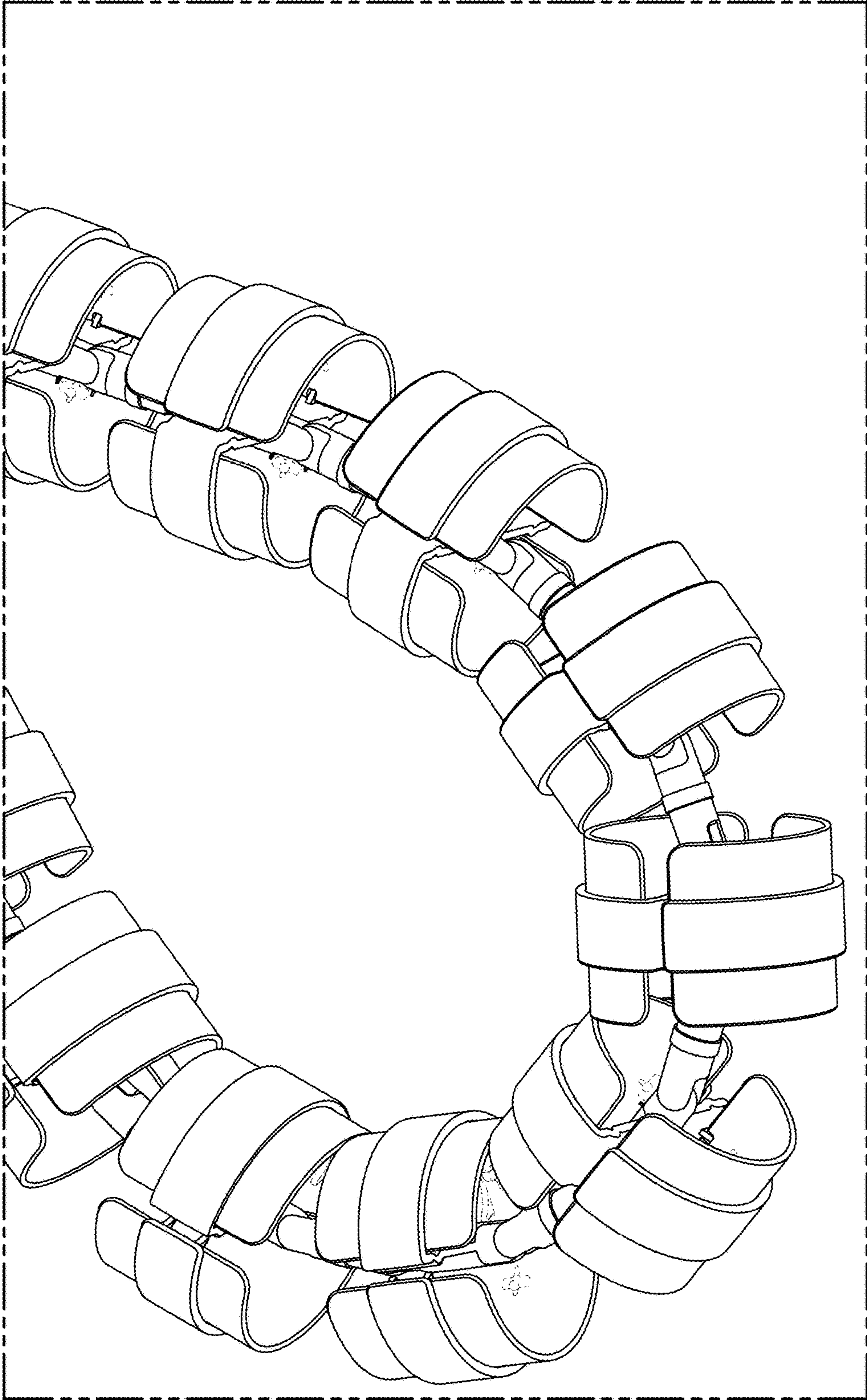


FIG. 29