



US00D822615S

(12) **United States Design Patent**  
**Baldwin**

(10) **Patent No.:** **US D822,615 S**

(45) **Date of Patent:** **\*\* Jul. 10, 2018**

(54) **CORNER CABLE CONDUIT**

(71) Applicant: **Jeffrey Baldwin**, Anthem, AZ (US)

(72) Inventor: **Jeffrey Baldwin**, Anthem, AZ (US)

(\*\*) Term: **15 Years**

(21) Appl. No.: **29/567,739**

(22) Filed: **Jun. 12, 2016**

(51) **LOC (11) Cl.** ..... **13-03**

(52) **U.S. Cl.**  
USPC ..... **D13/155**

(58) **Field of Classification Search**  
USPC ..... D13/155, 123, 133, 153, 154, 156, 184,  
D13/199; D8/349, 354, 380; D23/259,  
D23/262; 138/156, 162; 174/68.1, 68.3,  
174/71 R, 72 C, 74 R, 481, 503, 504, 660,  
174/665, 667, 668; 385/134, 136, 137;  
403/83, 92, 403  
CPC .. H02G 3/02; H02G 3/04; H02G 3/06; H02G  
3/14; H02G 3/0418; H02G 3/045; H02G  
3/0608; G02B 6/4459; F16L 3/22  
See application file for complete search history.

D321,682 S \* 11/1991 Henneberger ..... D13/155  
D321,863 S \* 11/1991 Henneberger ..... D13/155  
5,161,580 A \* 11/1992 Klug ..... H02G 3/0418  
138/157  
5,469,893 A \* 11/1995 Caveney ..... H02G 3/0608  
138/157  
5,753,855 A \* 5/1998 Nicoli ..... H02G 3/0608  
138/157  
6,450,458 B1 \* 9/2002 Bernard ..... H02G 3/0608  
248/68.1  
9,455,556 B1 \* 9/2016 Baldwin ..... H02G 3/0425  
2002/0126977 A1 \* 9/2002 Kampf ..... G02B 6/4459  
385/134  
2008/0007047 A1 \* 1/2008 Thompson ..... H02G 3/0418  
285/149.1  
2010/0101819 A1 \* 4/2010 Sonotsu ..... B60R 16/0215  
174/68.3

\* cited by examiner

*Primary Examiner* — Derrick Holland  
*Assistant Examiner* — Jennifer O King  
(74) *Attorney, Agent, or Firm* — Ryan Liebengood

(57) **CLAIM**

I claim the ornamental design for a corner cable conduit, as shown and described.

**DESCRIPTION**

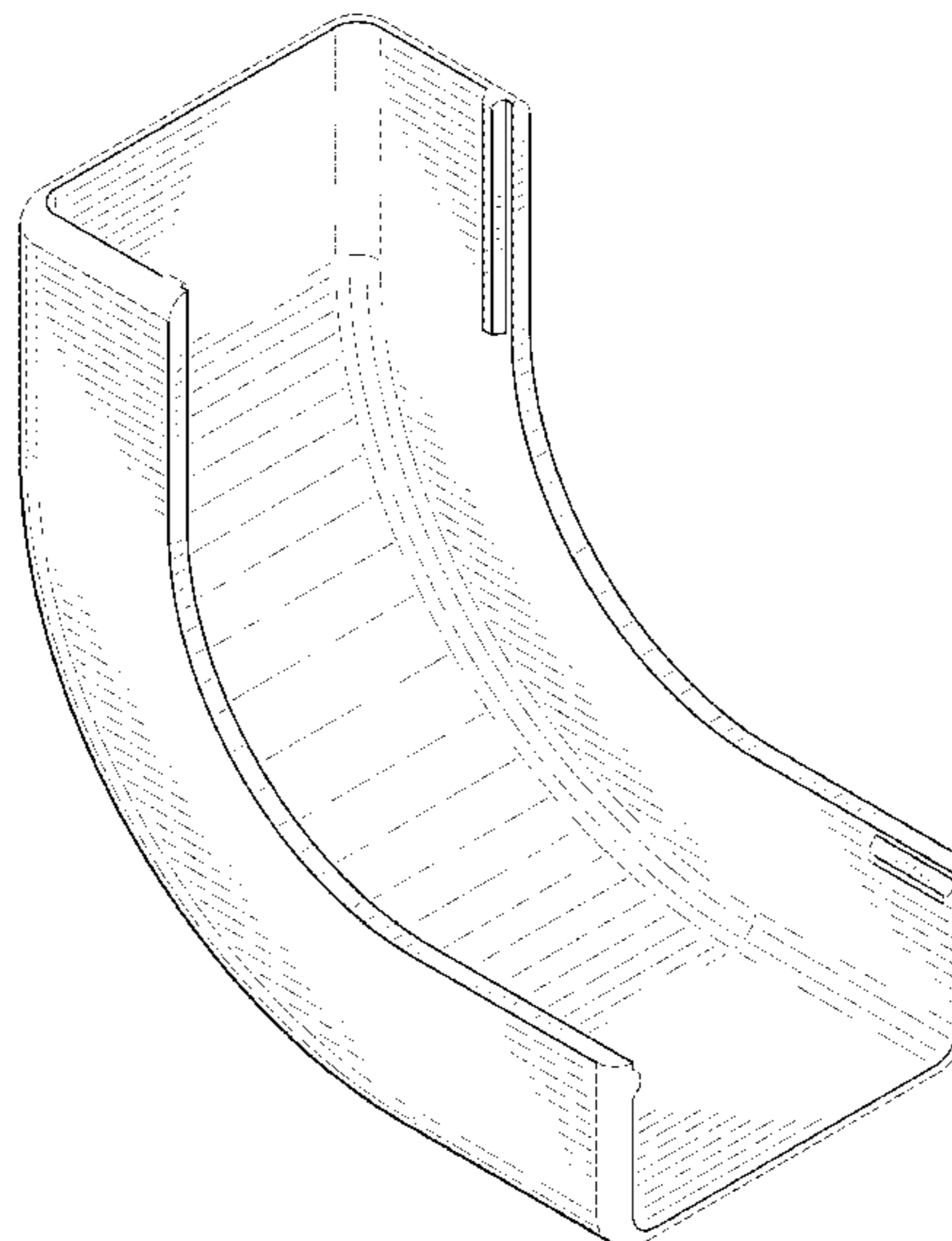
FIG. 1 is a perspective view of a corner cable conduit showing my design;  
FIG. 2 is a left side view thereof;  
FIG. 3 is a right side view thereof;  
FIG. 4 is a top plan view thereof;  
FIG. 5 is a bottom plan view thereof;  
FIG. 6 is a rear elevational view thereof; and,  
FIG. 7 is a front elevational view thereof.  
The broken lines shown in the figures represent portions of the corner cable conduit that form no part of the claimed design.

**1 Claim, 4 Drawing Sheets**

(56) **References Cited**

U.S. PATENT DOCUMENTS

749,392 A \* 1/1904 Lutz ..... H02G 3/06  
138/157  
1,189,208 A \* 6/1916 Hodkinson ..... H02G 3/0418  
138/157  
2,823,056 A \* 2/1958 Di Meo ..... F16L 3/26  
403/376  
3,432,128 A \* 3/1969 Elleboudt ..... F16L 3/26  
211/195  
4,589,449 A \* 5/1986 Bramwell ..... H02G 3/0608  
138/157  
4,891,471 A \* 1/1990 Ono ..... H02G 3/0418  
138/166



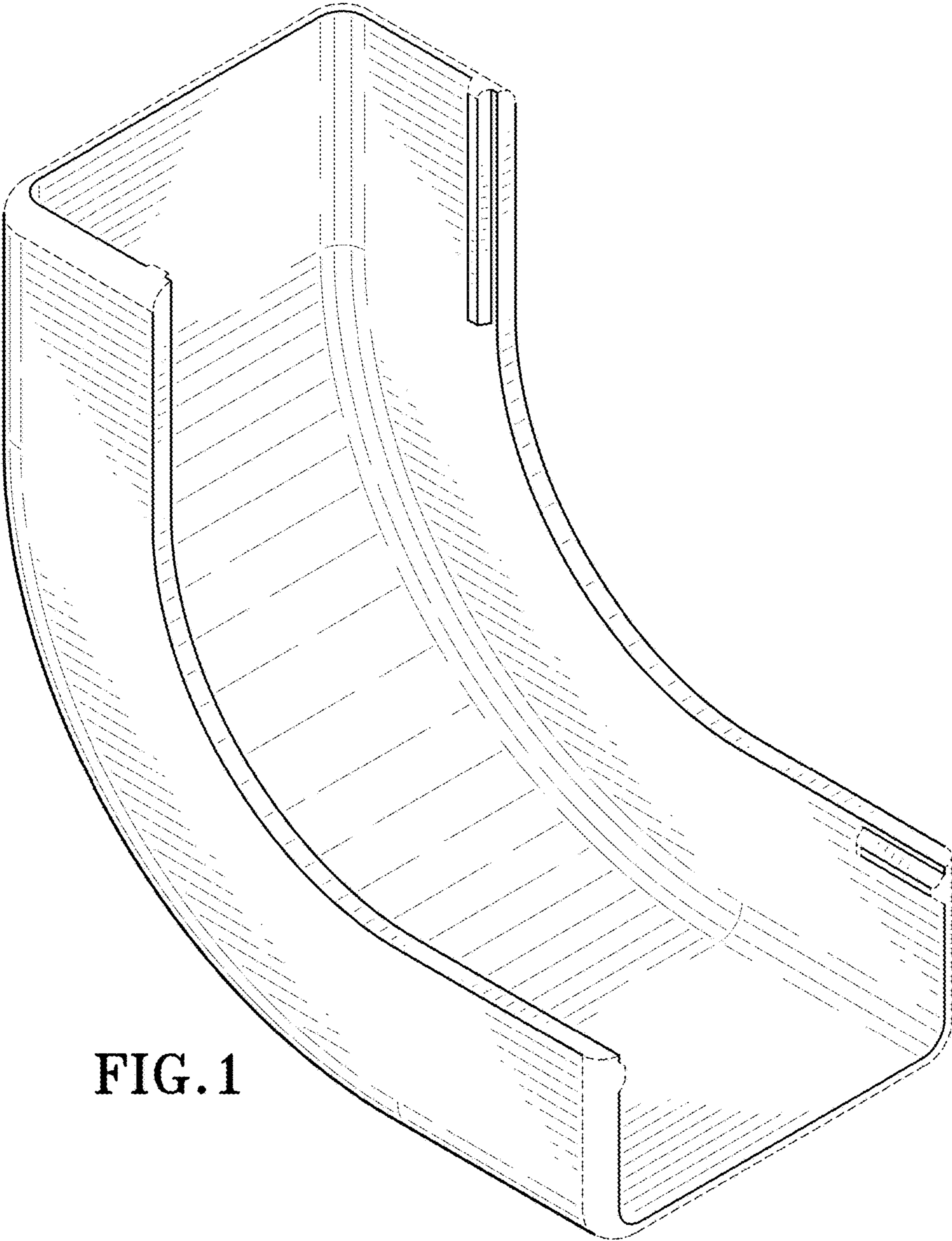


FIG. 1

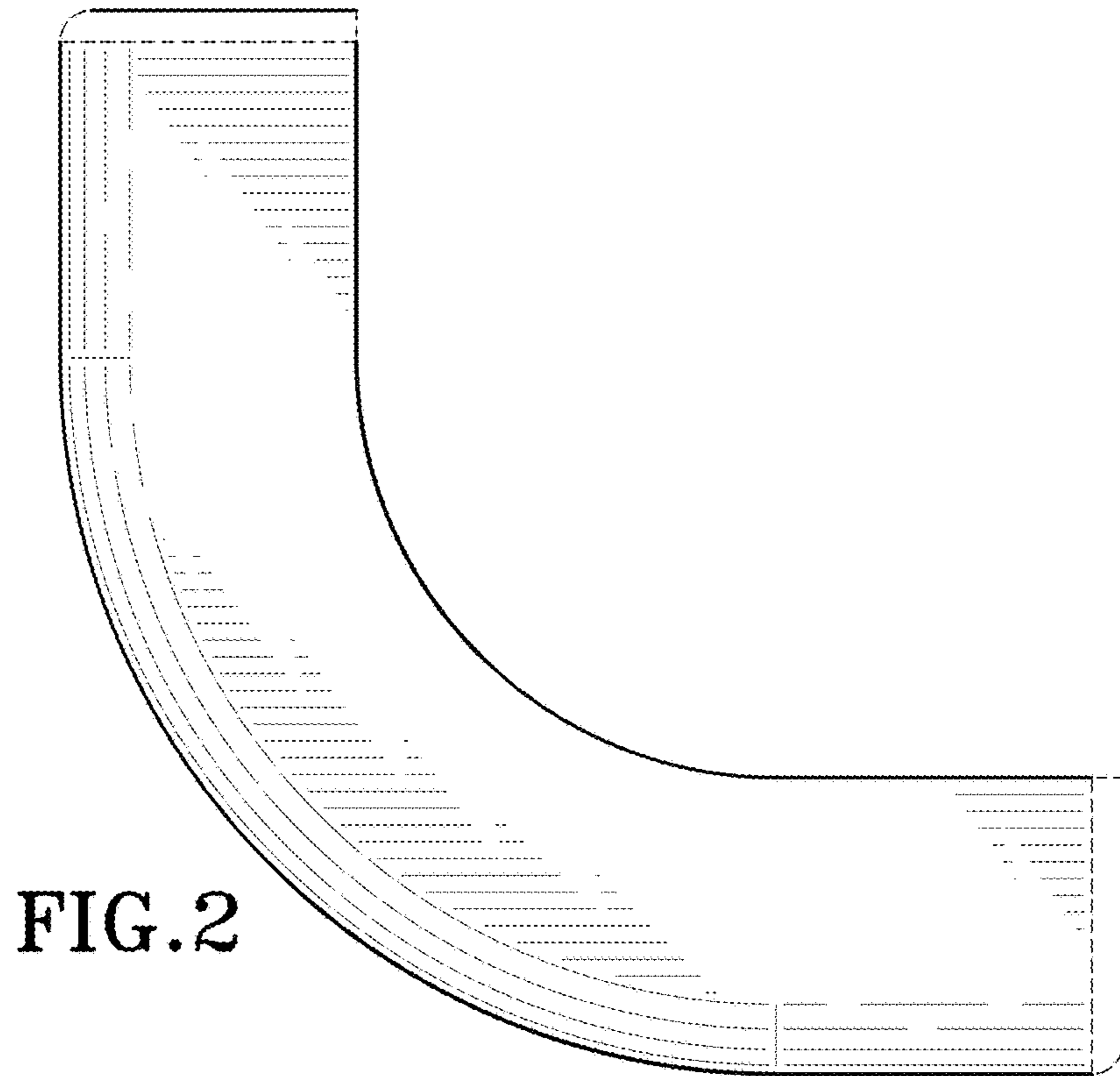


FIG. 2

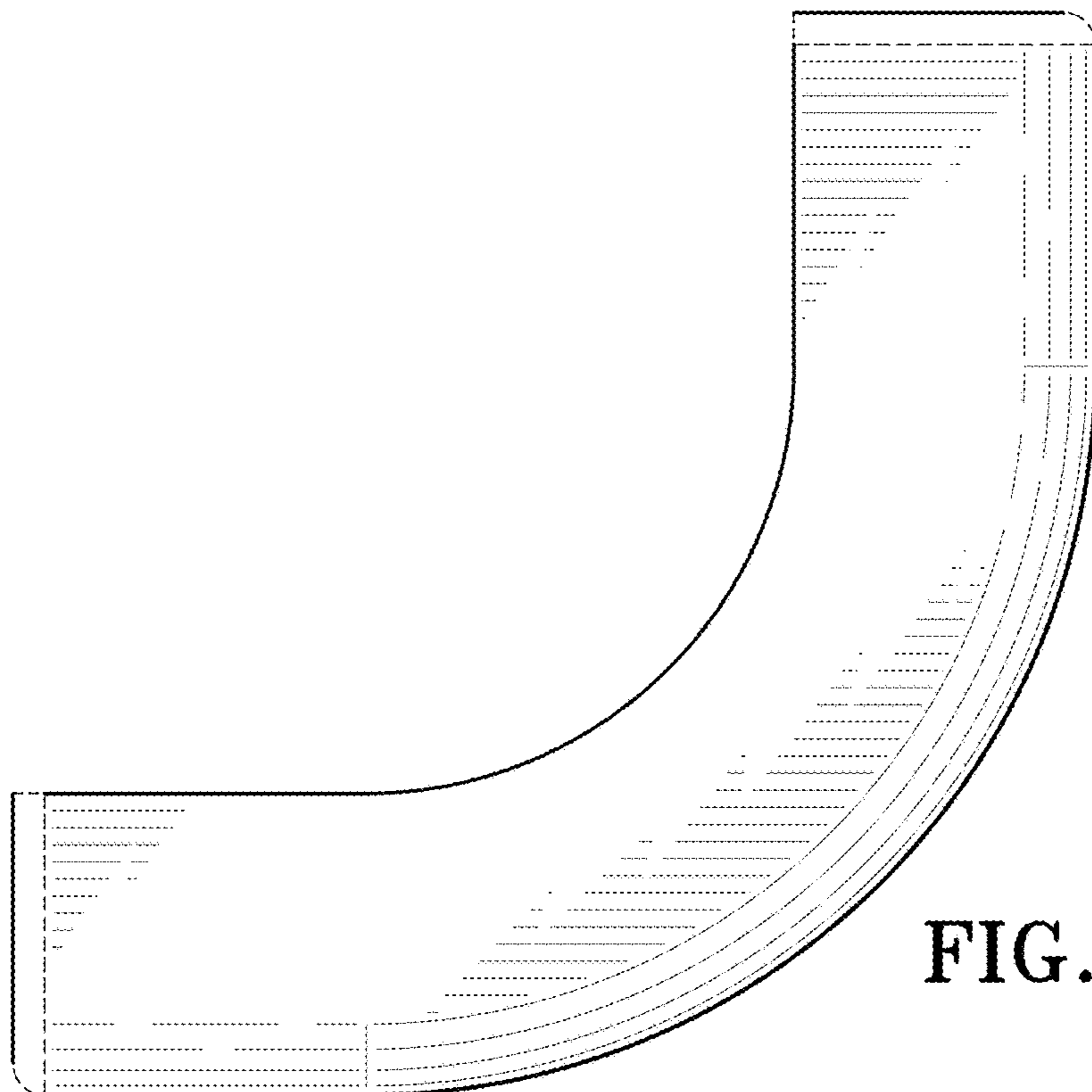


FIG. 3

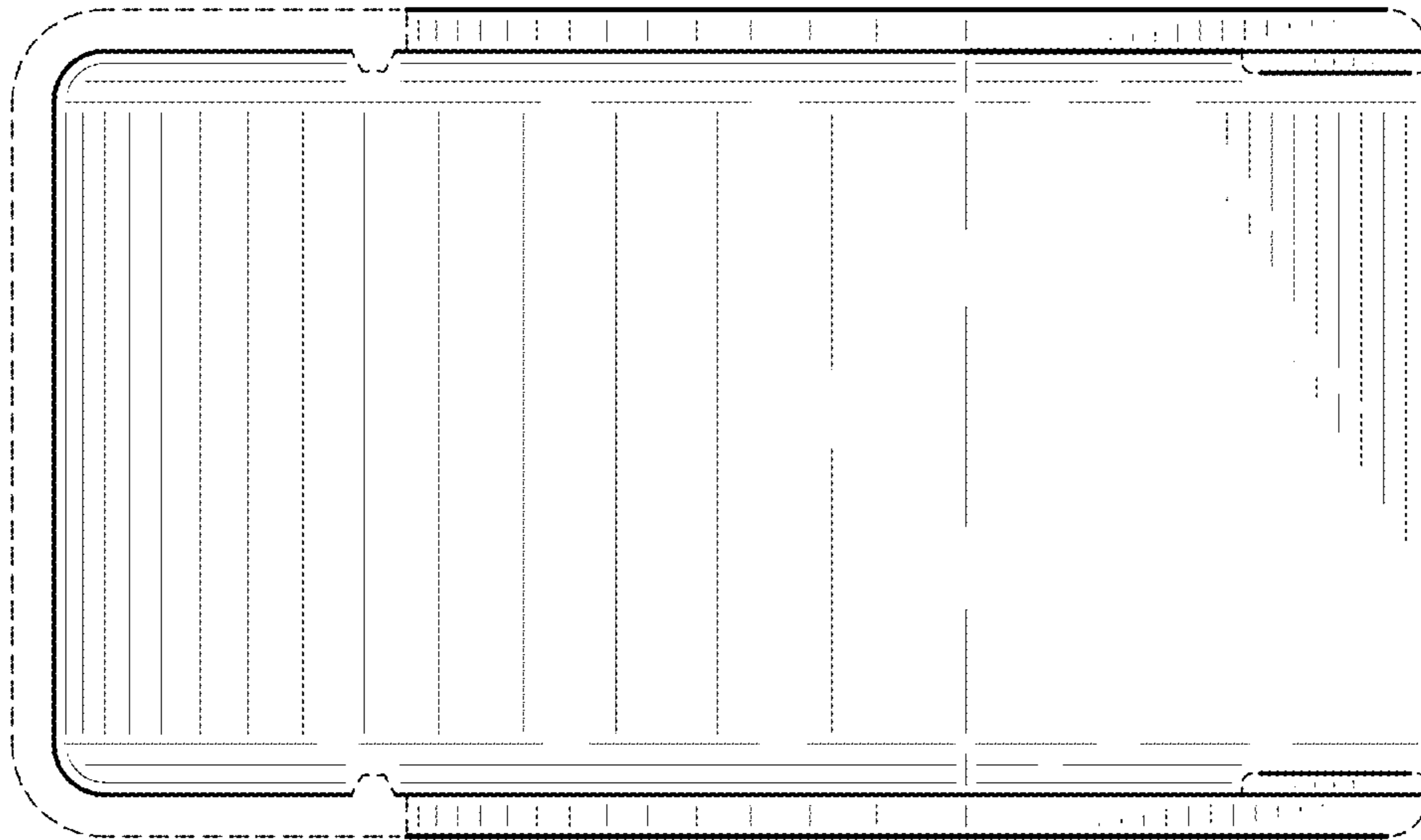


FIG. 4

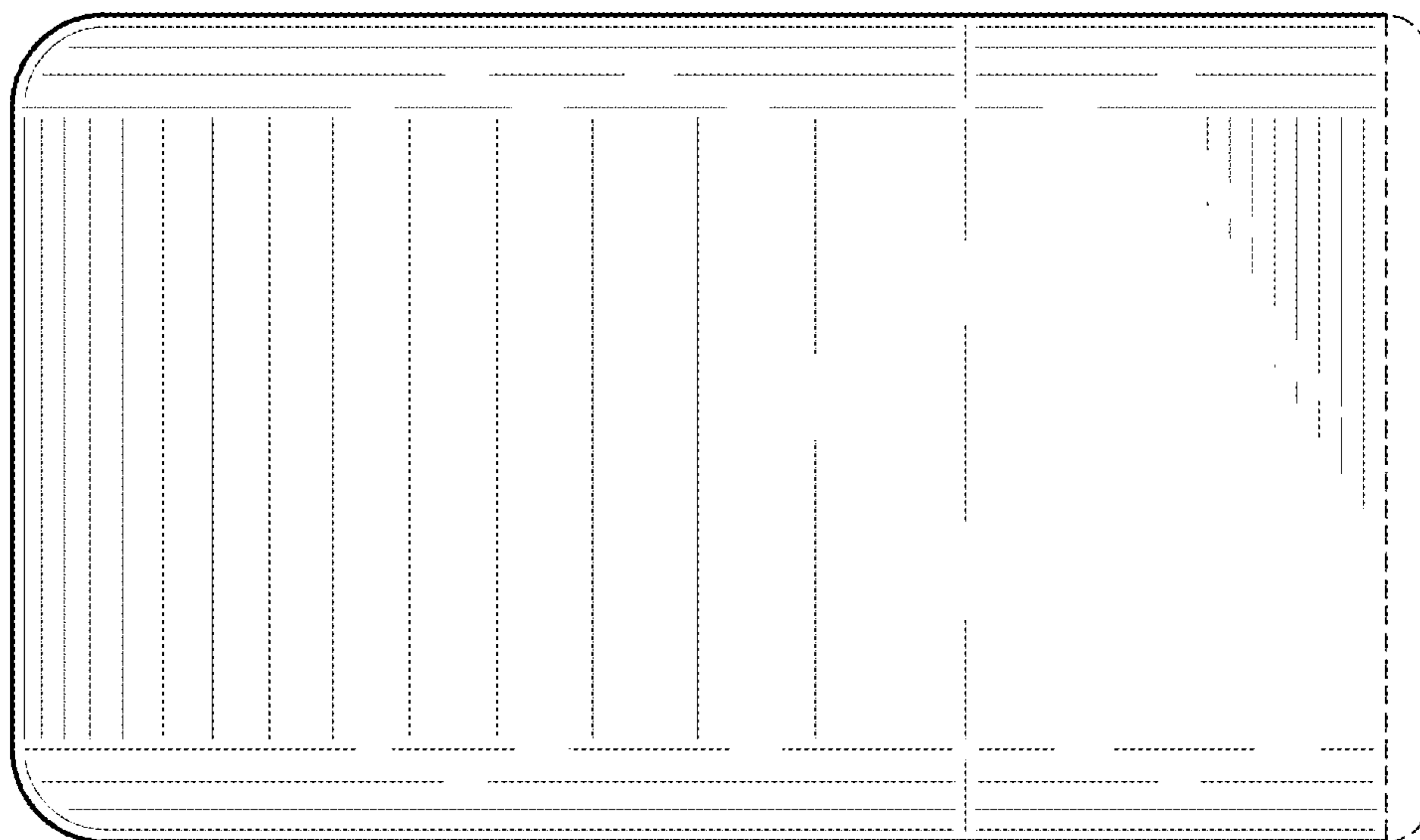


FIG. 5

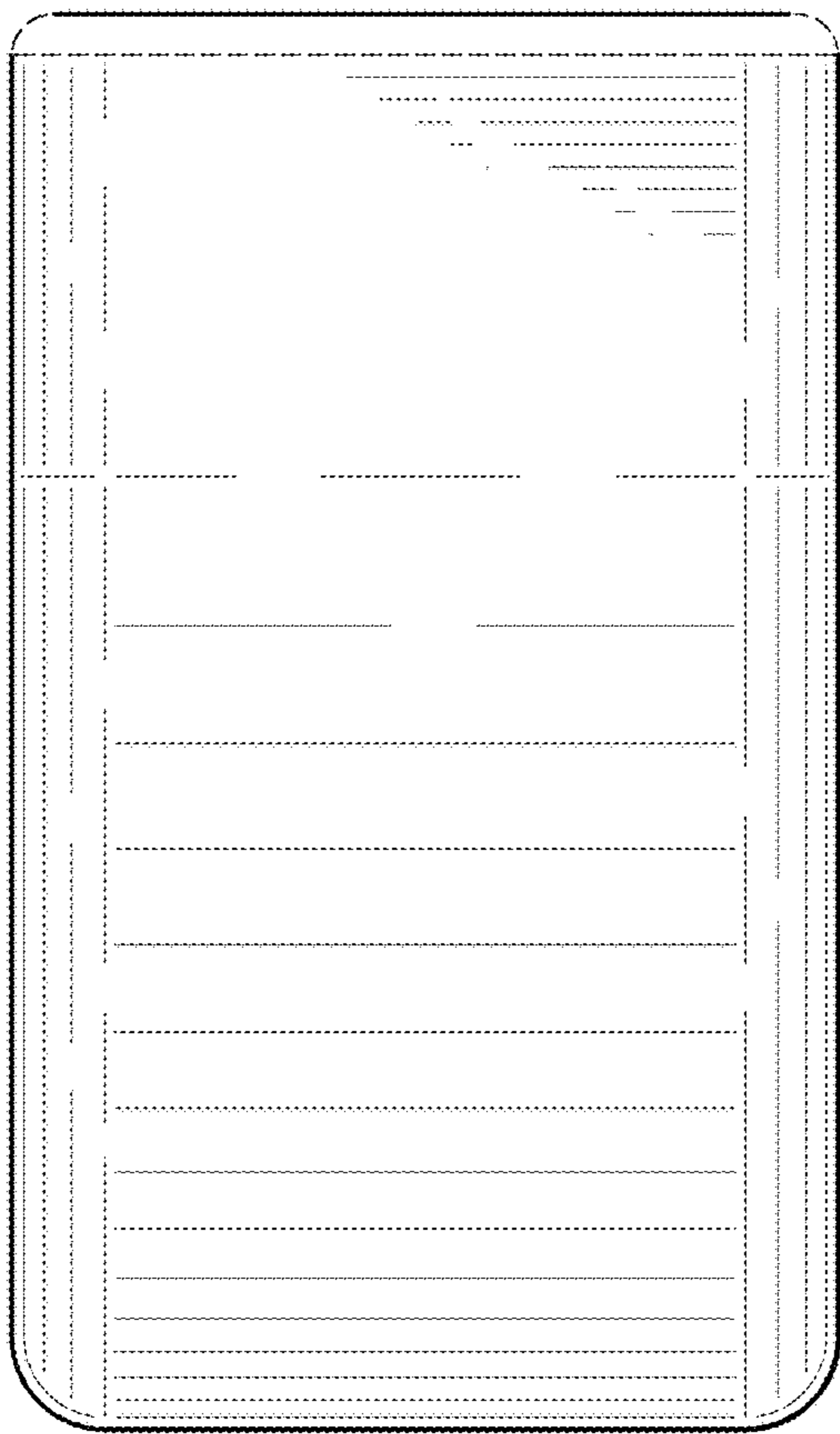


FIG. 6

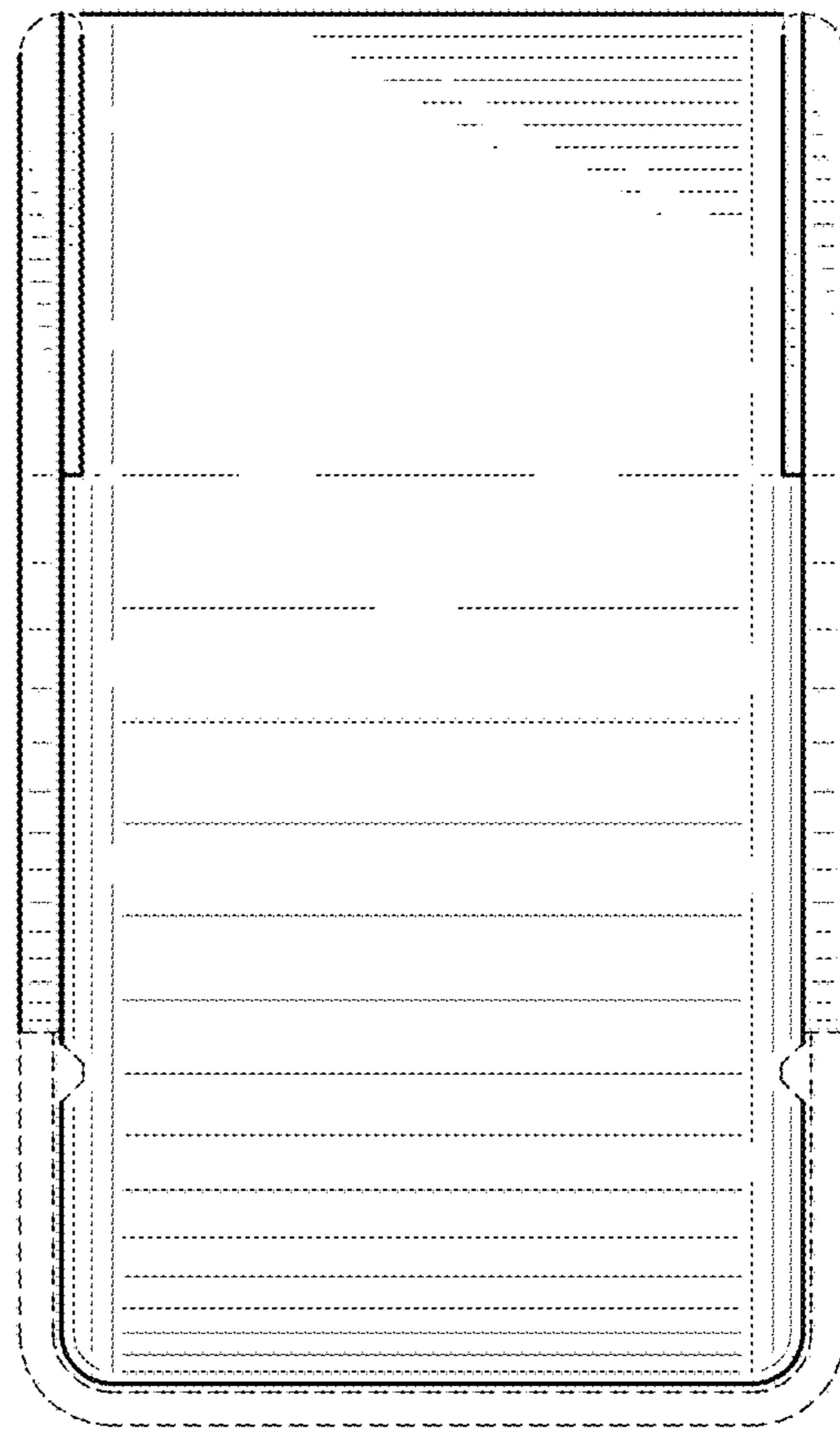


FIG. 7