



US00D822611S

(12) **United States Design Patent**  
**Bettman et al.**

(10) **Patent No.:** **US D822,611 S**  
(45) **Date of Patent:** **\*\* Jul. 10, 2018**

- (54) **ELECTRICAL CONNECTOR**
- (71) Applicant: **Samtec, Inc.**, New Albany, IN (US)
- (72) Inventors: **R. Brad Bettman**, Mountain View, CA (US); **Jean Karlo Williams Barnett**, New Albany, IN (US); **Jignesh H. Shah**, New Albany, IN (US)
- (73) Assignee: **SAMTEC INC.**, New Albany, IN (US)

(\*\*) Term: **15 Years**

(21) Appl. No.: **29/604,016**

(22) Filed: **May 15, 2017**

(51) **LOC (11) Cl.** ..... **13-03**

(52) **U.S. Cl.**  
USPC ..... **D13/147**

(58) **Field of Classification Search**  
USPC ..... D13/123, 133, 146, 147, 154, 155, 156, D13/184, 199  
CPC ..... H01R 9/075; H01R 9/16; H01R 12/616; H01R 13/05; H01R 13/193; H01R 13/2464; H01R 13/2478; H01R 13/2485; H01R 13/2492; H01R 13/6271; H01R 13/6275; H01R 13/6335; H01R 13/642; H01R 13/659  
See application file for complete search history.

(56) **References Cited**

**U.S. PATENT DOCUMENTS**

- 5,507,657 A \* 4/1996 Seto ..... H01R 43/205 439/135
- 7,329,054 B1 2/2008 Epitoux et al.
- 7,648,287 B2 1/2010 Epitoux et al.
- 7,766,559 B2 8/2010 Epitoux et al.
- 7,824,112 B2 11/2010 Epitoux et al.
- D697,031 S \* 1/2014 Yoshisuji ..... D13/147
- D729,173 S \* 5/2015 Fukumoto ..... D13/147
- 9,374,165 B2 6/2016 Zbinden et al.

- D800,070 S \* 10/2017 Manba ..... D13/147
- 2007/0218759 A1 9/2007 Liang et al.
- 2008/0222351 A1 9/2008 Verdiell et al.
- 2010/0120268 A1 5/2010 Yeh
- 2010/0130044 A1\* 5/2010 Taketomi ..... H01R 12/79 439/260
- 2011/0123150 A1 5/2011 Zbinden et al.
- 2011/0123151 A1 5/2011 Zbinden et al.
- 2012/0289066 A1 11/2012 Wang et al.
- 2013/0148973 A1 6/2013 Zbinden et al.
- 2017/0062963 A1\* 3/2017 Tagami ..... H01R 12/88

**FOREIGN PATENT DOCUMENTS**

JP 2002-093495 A 3/2002

\* cited by examiner

*Primary Examiner* — Daniel Bui

(74) *Attorney, Agent, or Firm* — Baker & Hostetler LLP

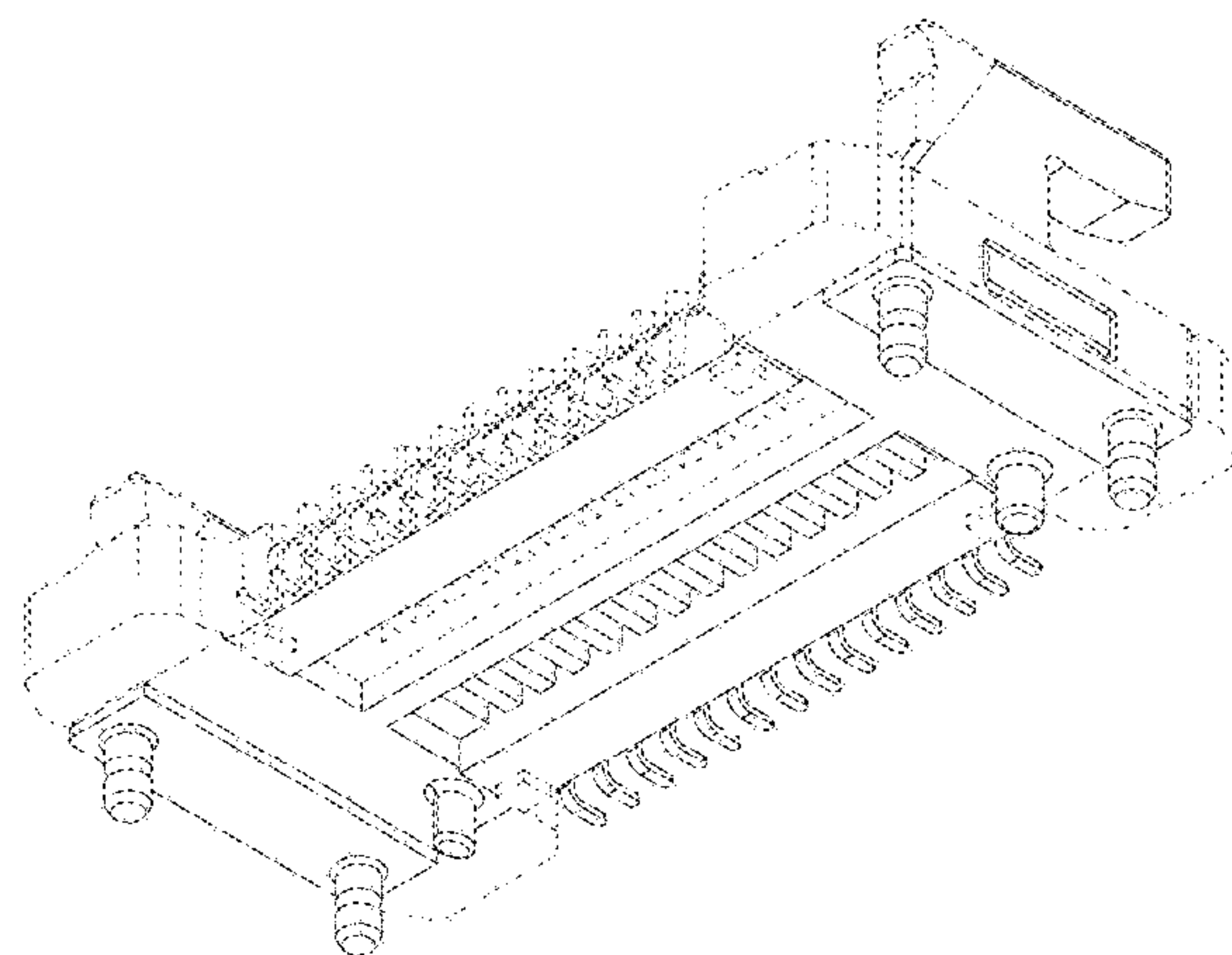
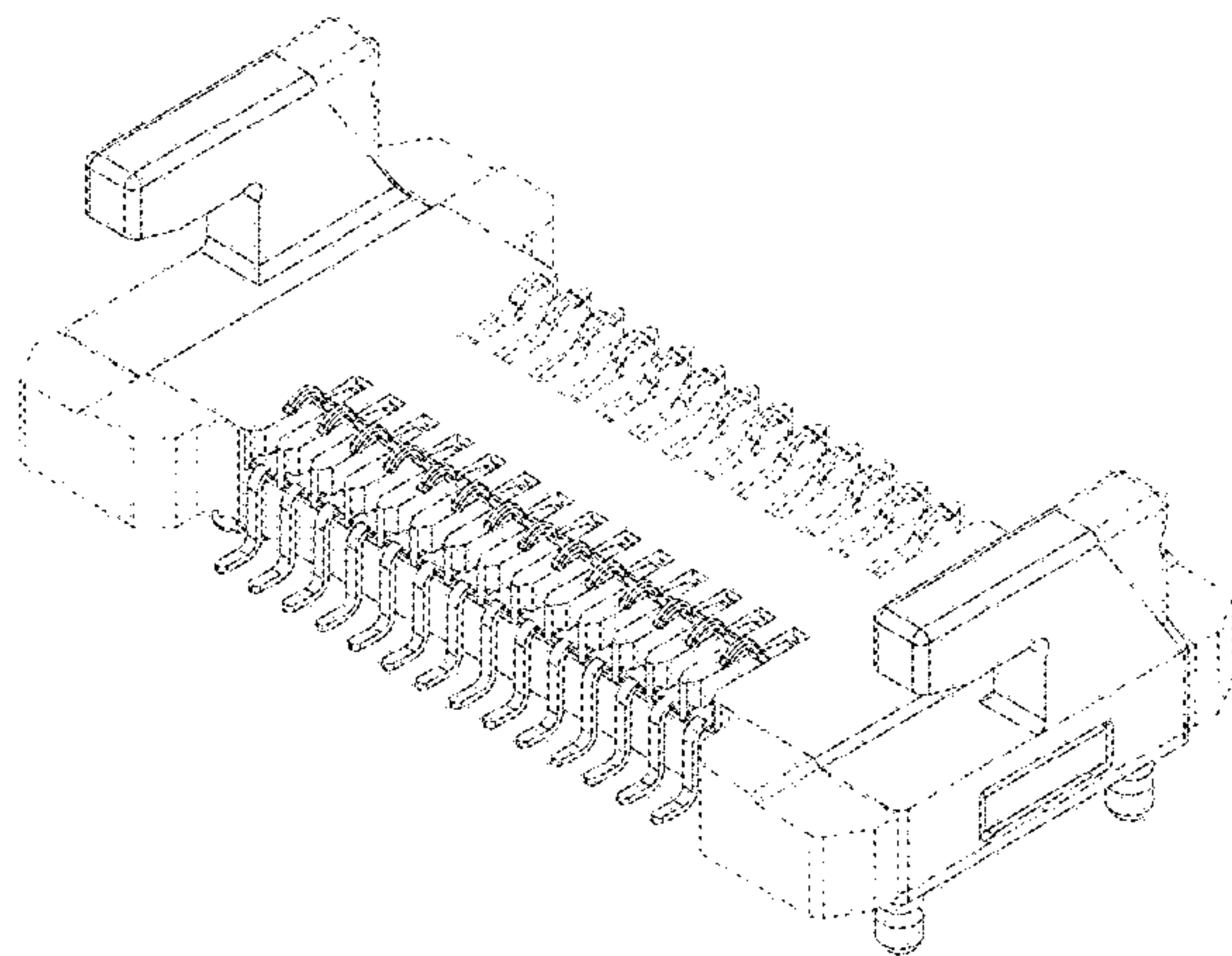
(57) **CLAIM**

The ornamental design for an electrical connector, as shown and described.

**DESCRIPTION**

FIG. 1 is a top, left and front perspective view of an electrical connector showing our new design;  
 FIG. 2 is a bottom, right, rear perspective view of thereof;  
 FIG. 3 is a front elevation view thereof;  
 FIG. 4 is a rear elevation view thereof;  
 FIG. 5 is a right side elevation view thereof;  
 FIG. 6 is a left side elevation view thereof;  
 FIG. 7 is a top plan view thereof; and,  
 FIG. 8 is a bottom plan view thereof.  
 The broken line portion of the figure drawings is included to show unclaimed subject matter only for the purpose of illustrating environment and forms no part of the claimed design. The dash-dot line represents the boundary of the claimed design.

**1 Claim, 5 Drawing Sheets**



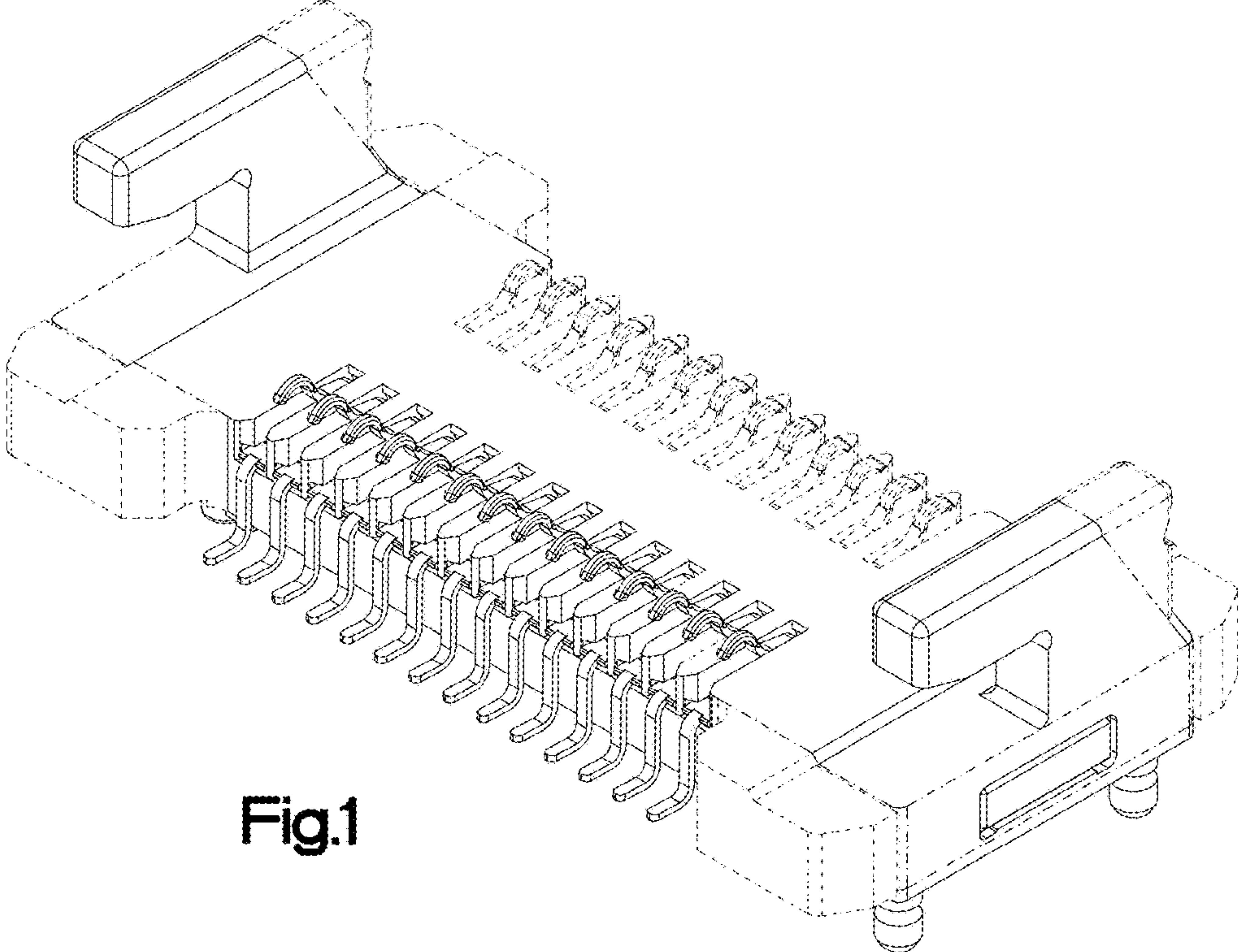


Fig.1

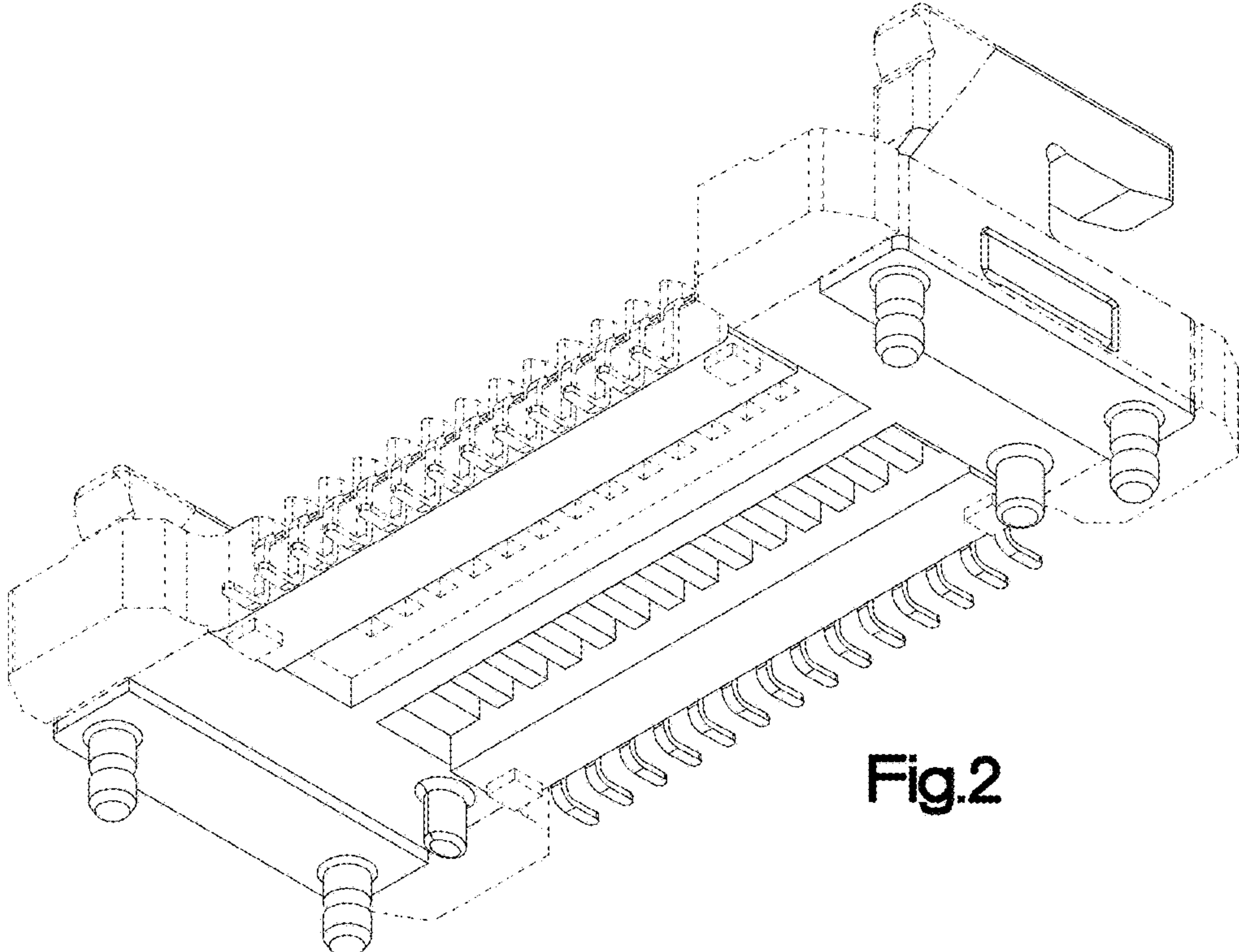


Fig.2



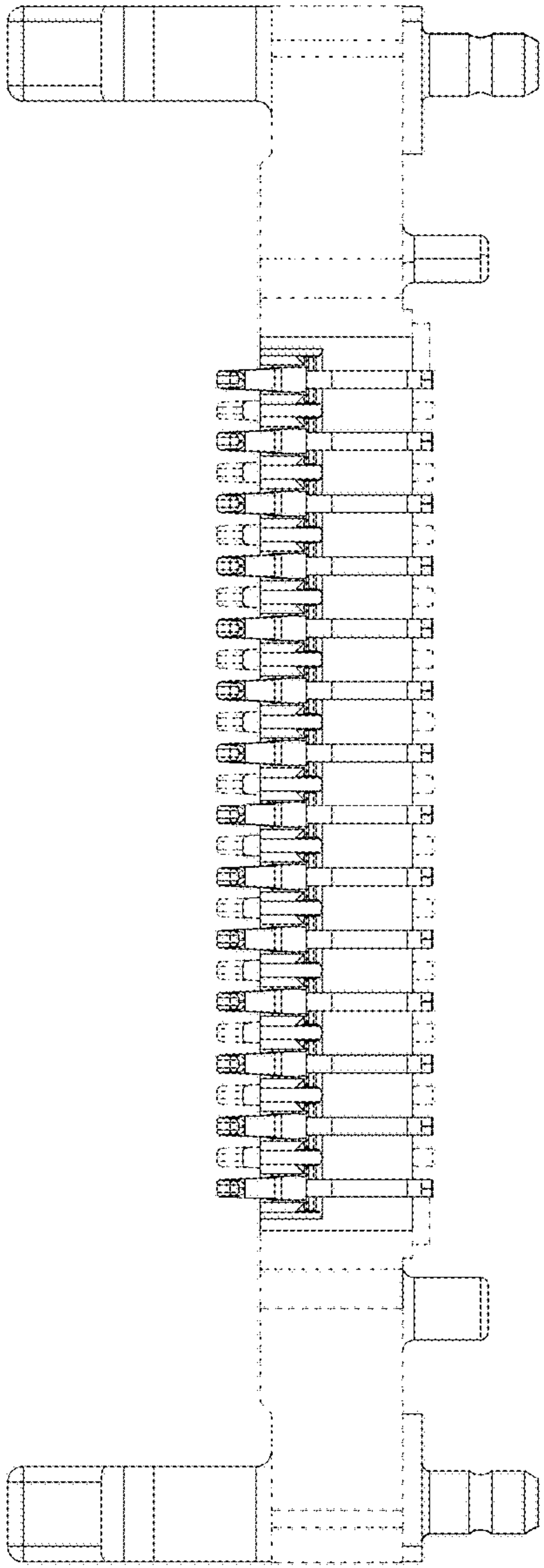


Fig.3

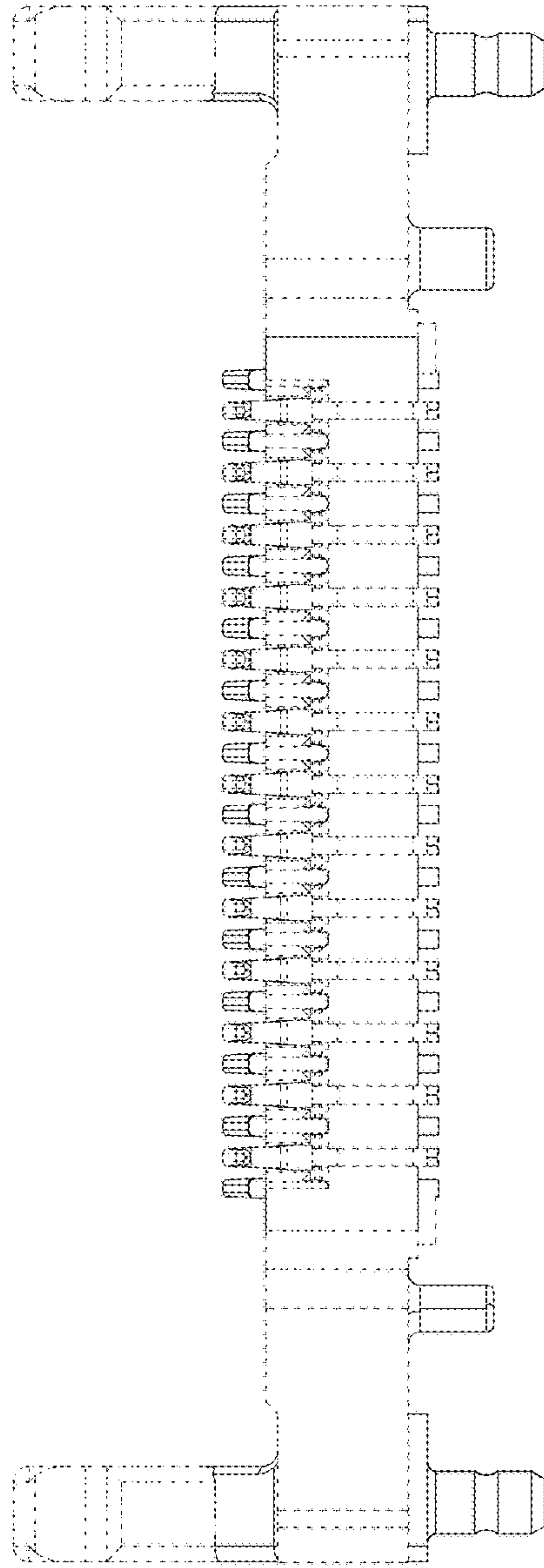


Fig.4

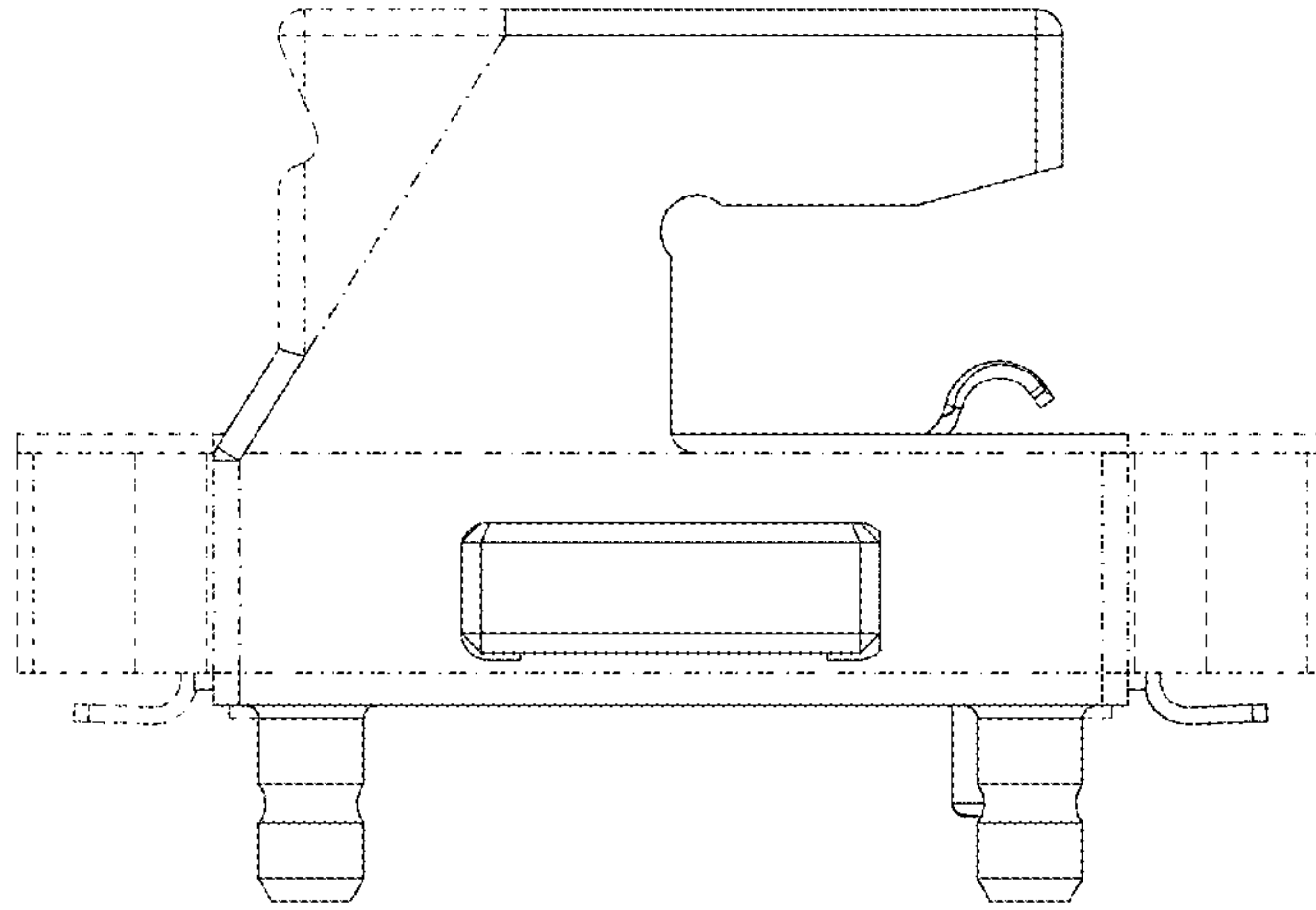


Fig.5

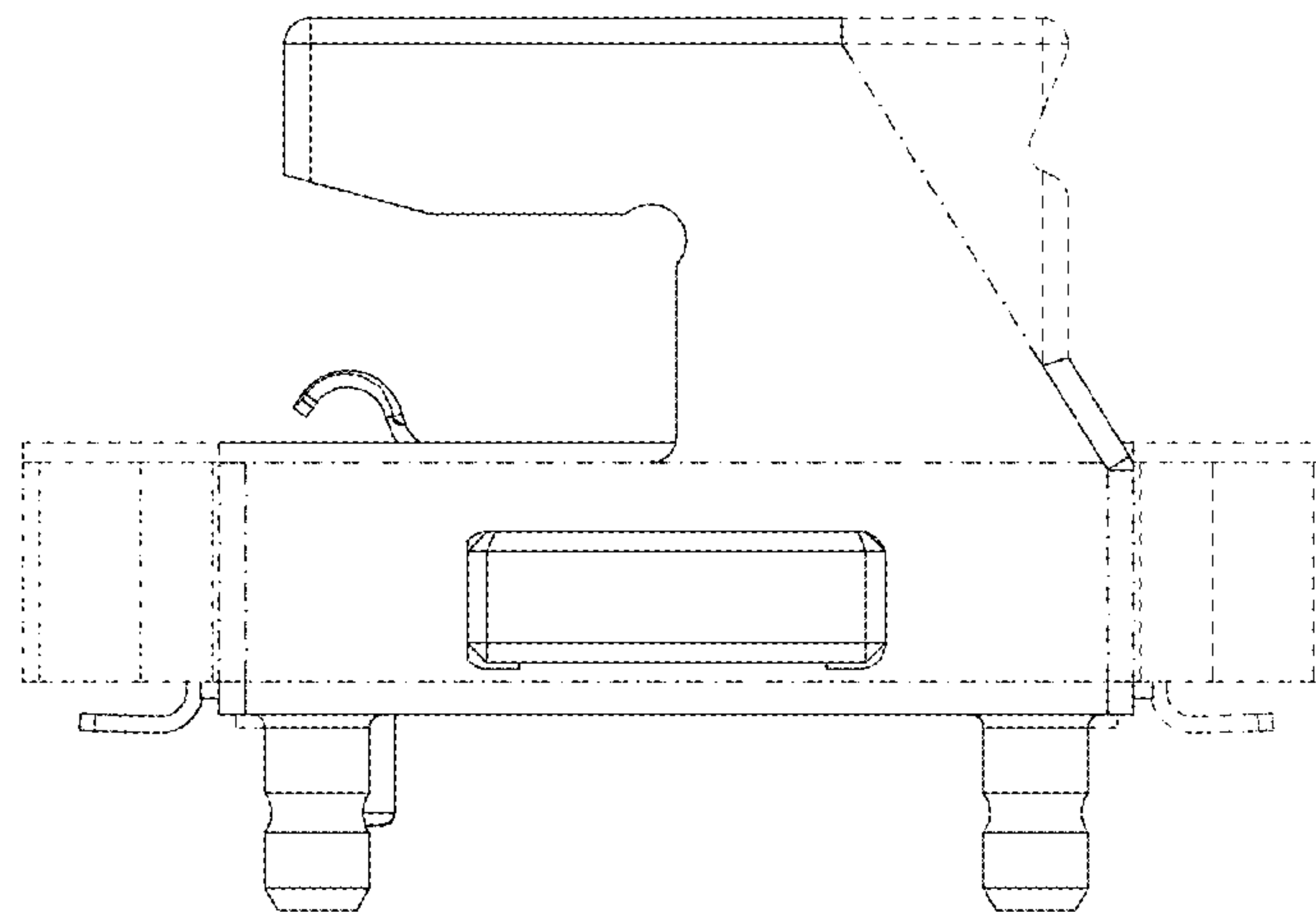


Fig.6

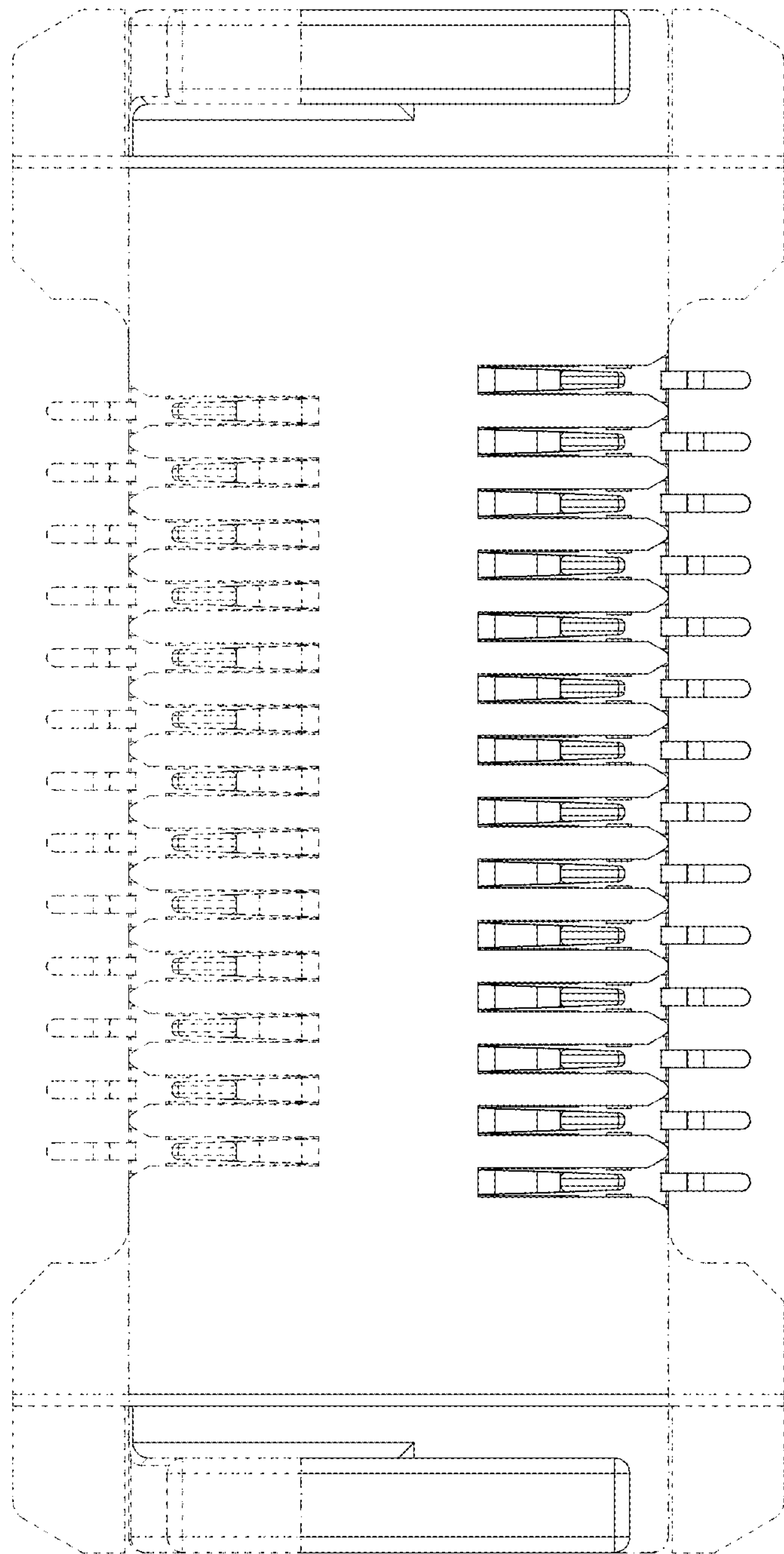


Fig.7

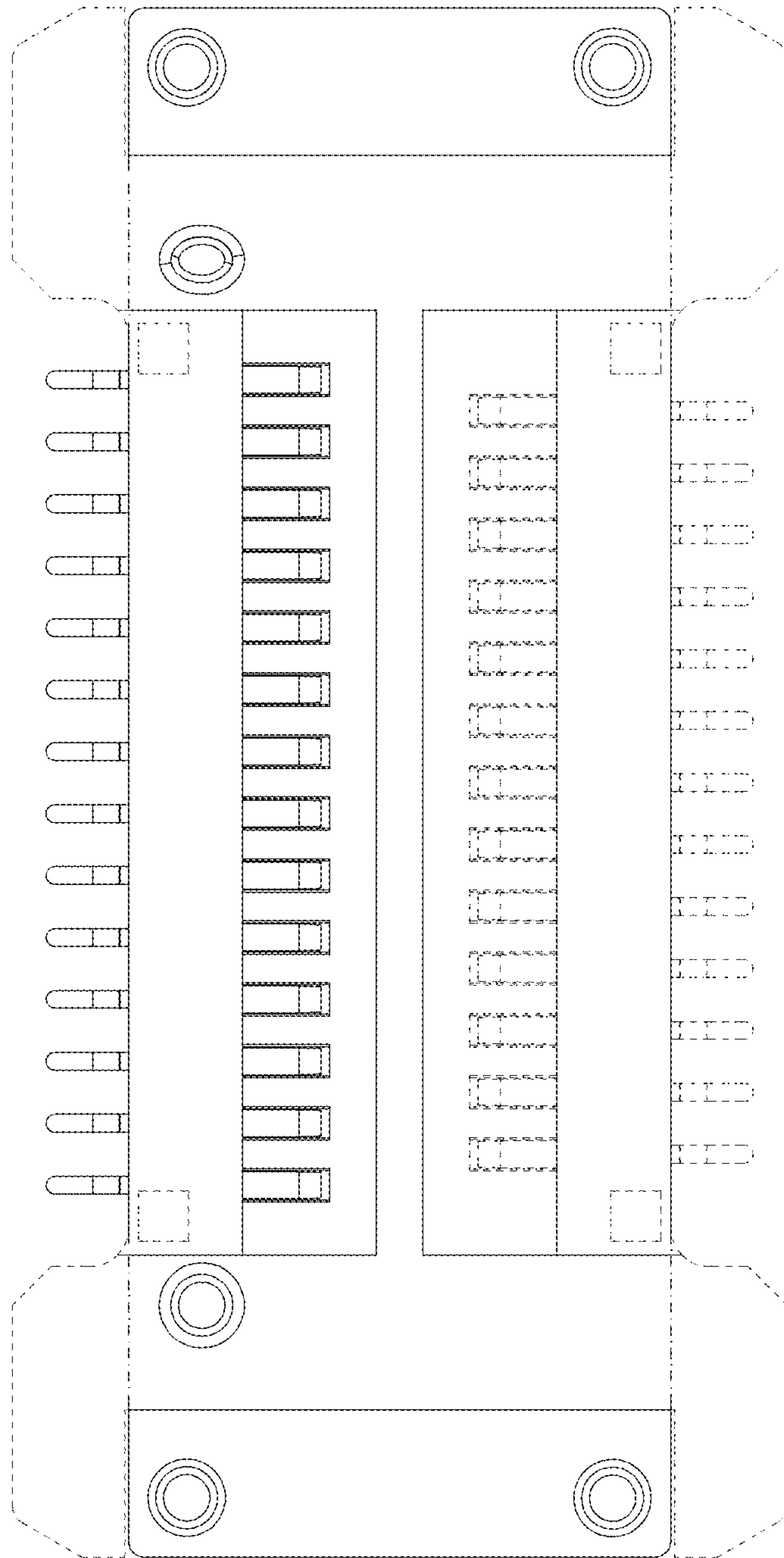


Fig.8