



US00D822610S

(12) **United States Design Patent**
Ramakrishna Gowda et al.

(10) **Patent No.:** **US D822,610 S**
(45) **Date of Patent:** **** Jul. 10, 2018**

(54) **CONNECTOR**

(71) Applicant: **Molex, LLC**, Lisle, IL (US)

(72) Inventors: **Manohara Ramakrishna Gowda**,
Bangalore (IN); **Ishwarappa**
Ganamukhi, Bangalore (IN);
KrishnaPrasad Somanath, Bangalore
(IN); **Joseph Comerci**, Lisle, IL (US);
Michael Gonzalez, Batavia, IL (US)

(73) Assignee: **Molex, LLC**, Lisle, IL (US)

(**) Term: **15 Years**

(21) Appl. No.: **29/583,444**

(22) Filed: **Nov. 4, 2016**

(51) **LOC (11) Cl.** **13-03**

(52) **U.S. Cl.**
USPC **D13/146**

(58) **Field of Classification Search**
USPC D13/110, 118-123, 125, 126, 133-136,
D13/146, 147, 149, 151, 154, 155, 156,
D13/173, 178, 184, 199
CPC ... H01R 4/00; H01R 4/24; H01R 4/64; H01R
4/66; H01R 9/03; H01R 9/05; H01R
13/62; H01R 13/64; H01R 13/65; H01R
13/68; H01R 25/00; H02G 3/00; H02G
3/06; H02G 3/18

See application file for complete search history.

(56) **References Cited**

U.S. PATENT DOCUMENTS

- 3,187,088 A * 6/1965 Warner H02G 15/24
174/76
- D472,523 S * 4/2003 Hansen D13/146
- D639,744 S * 6/2011 Smith D13/146
- 7,973,241 B2 * 7/2011 Evoniuk H02G 15/24
174/84 R
- 8,242,369 B2 * 8/2012 Kiely H01R 9/032
174/84 R

- 9,252,577 B1 * 2/2016 Smith H02G 15/076
- D750,570 S * 3/2016 Smith D13/155
- D751,043 S * 3/2016 Smith D13/155
- D755,728 S * 5/2016 Smith D13/155
- D755,729 S * 5/2016 Smith D13/155
- 2008/0113552 A1 * 5/2008 Casperson H01R 13/521
439/579

(Continued)

FOREIGN PATENT DOCUMENTS

TW D158548 1/2014

OTHER PUBLICATIONS

Isolated Triple Bullet Snap Connector Sleeve, dated Sep. 26, 2015, (online), (site visited Feb. 14, 2018). Available from Internet, <URL: <http://www.britishwiring.com/Triple-Snap-Connector-Sleeve-3-way-Isolated-p/c333.htm>>.

Primary Examiner — Thomas Johannes
Assistant Examiner — Shawn T Gingrich
(74) *Attorney, Agent, or Firm* — Banner & Witcoff, Ltd.

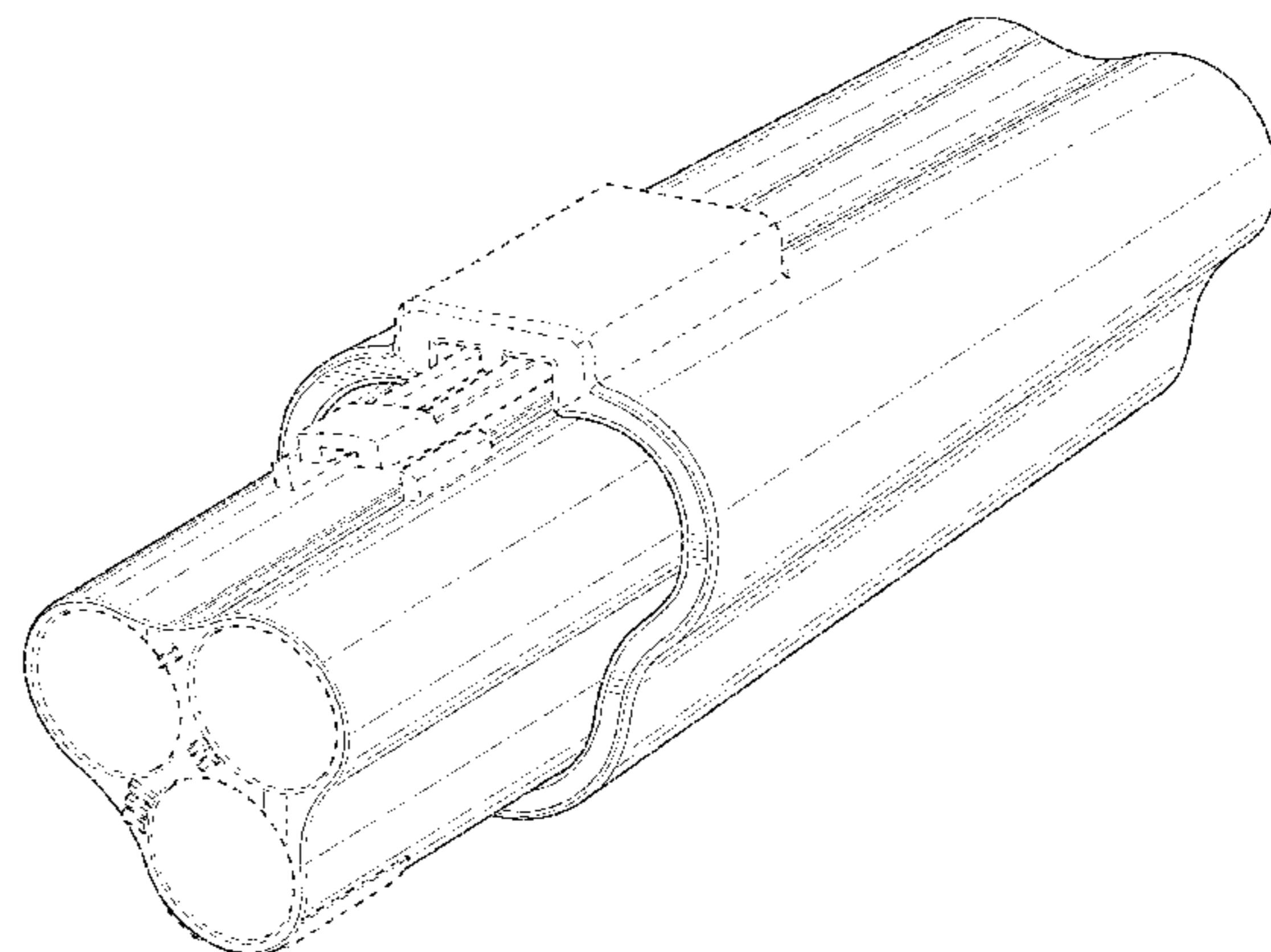
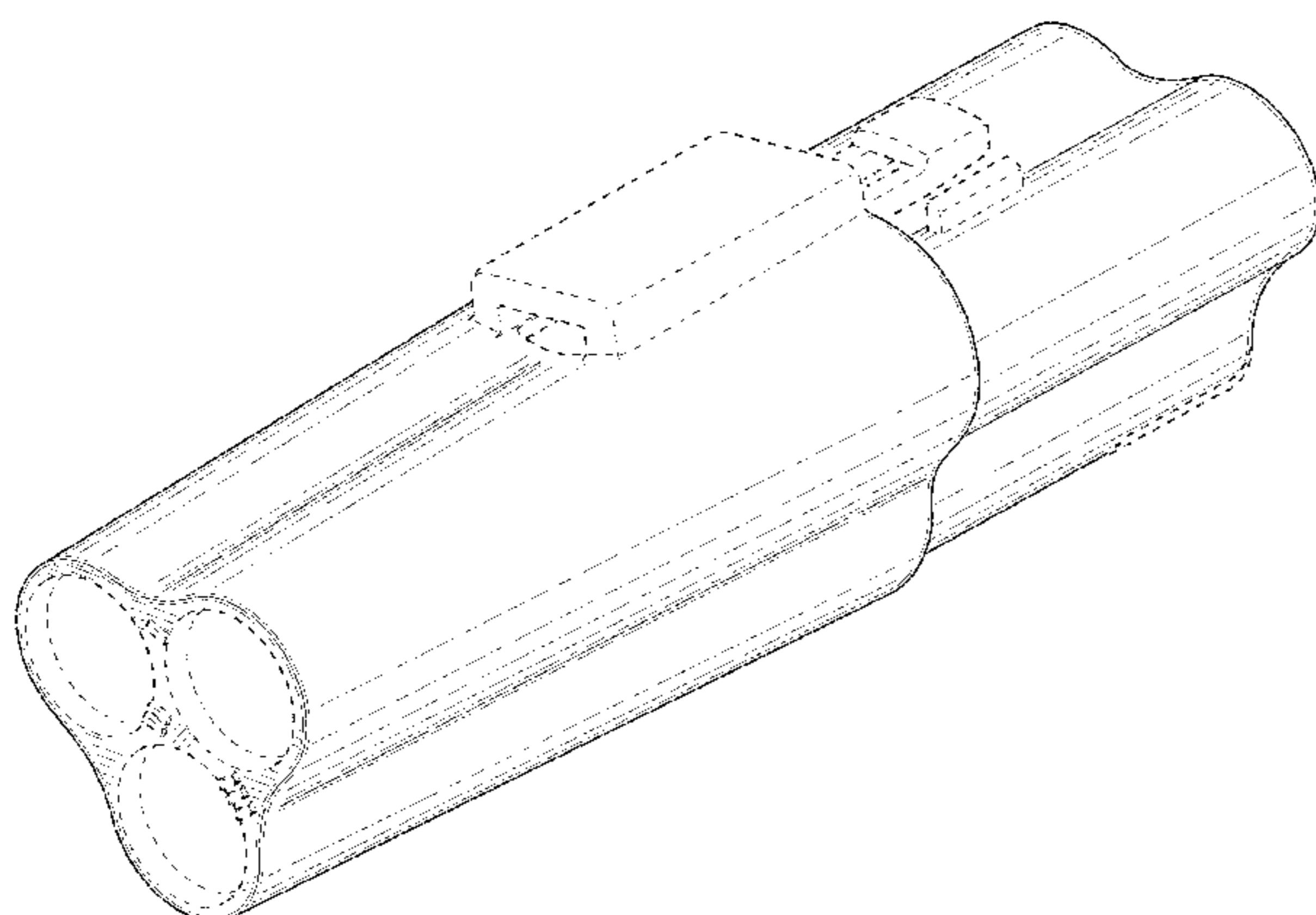
(57) **CLAIM**

The ornamental design for a connector pair, as shown and described.

DESCRIPTION

FIG. 1 is a front perspective view of a connector showing our new design;
FIG. 2 is a right side view thereof;
FIG. 3 is a top view thereof;
FIG. 4 is a left side view thereof;
FIG. 5 is a bottom view thereof;
FIG. 6 is a front view thereof;
FIG. 7 is a rear view thereof; and,
FIG. 8 is a rear perspective view thereof.
The broken lines showing various portions of the connector, and the unshaded region therein, represent subject matter which forms no part of the claimed design.

1 Claim, 8 Drawing Sheets



(56)

References Cited

U.S. PATENT DOCUMENTS

2016/0181716 A1* 6/2016 Ramanna H01R 13/432
439/345

* cited by examiner

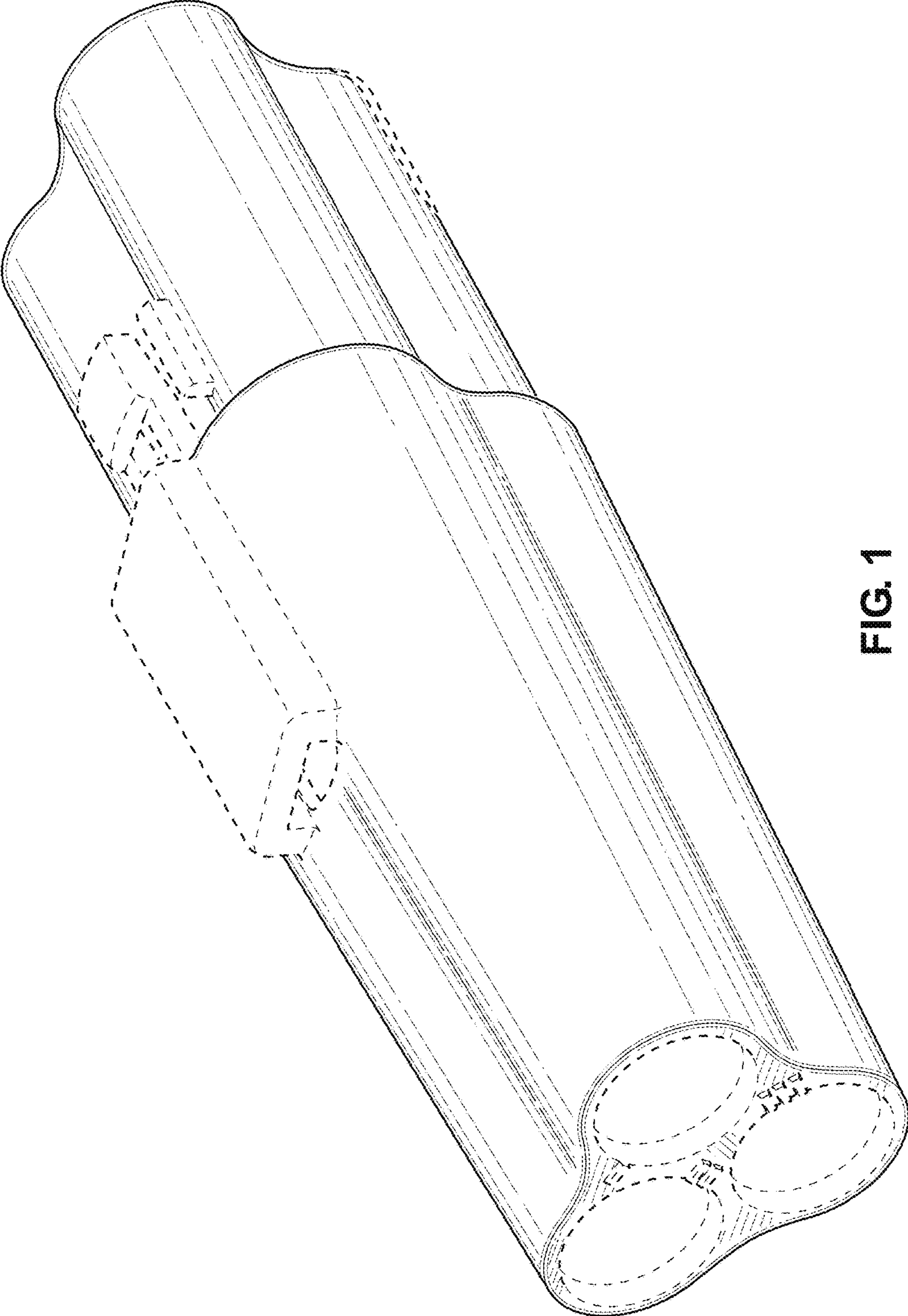


FIG. 1

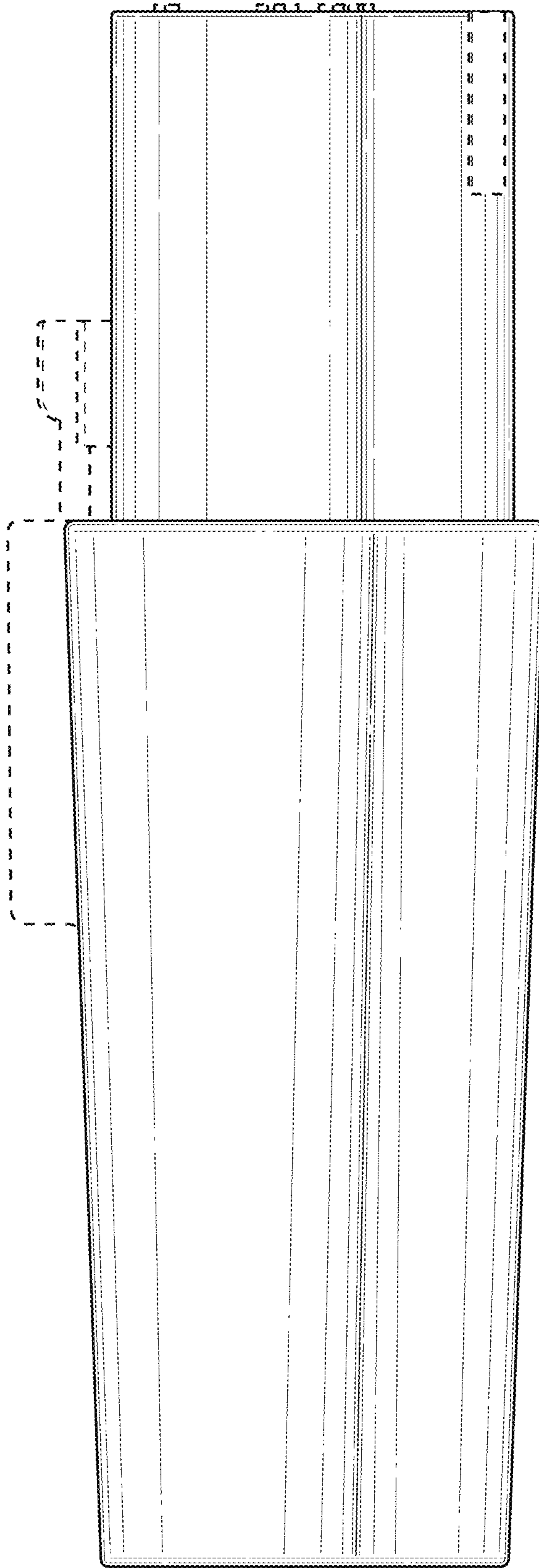


FIG. 2

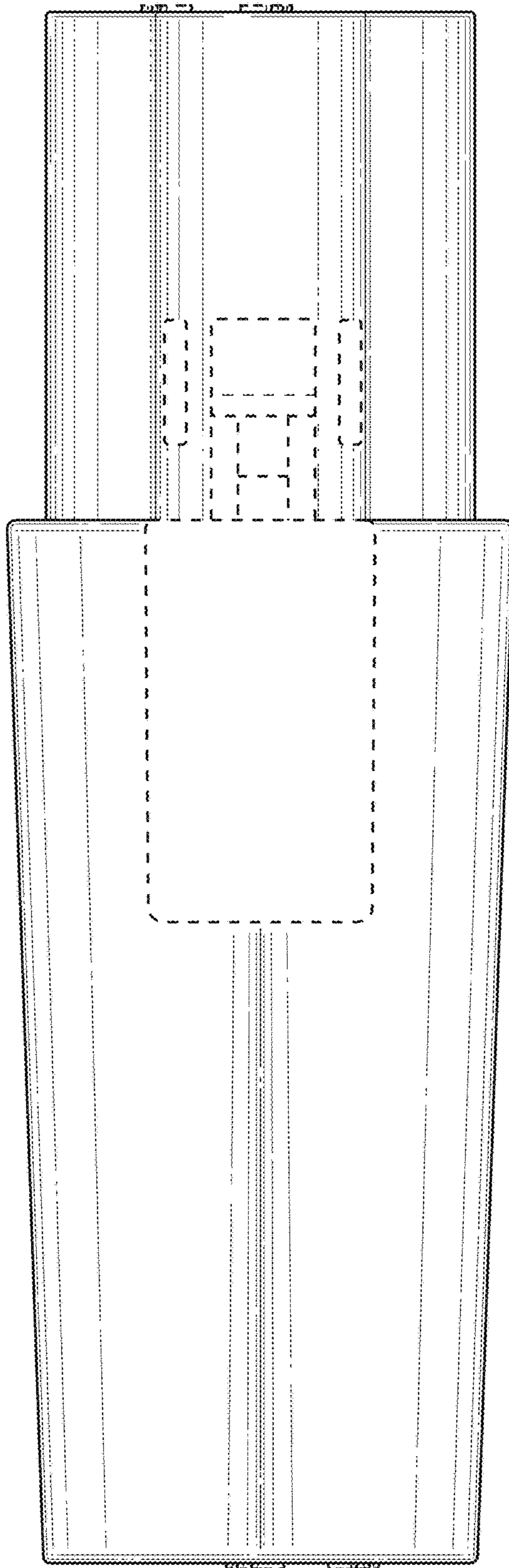


FIG. 3

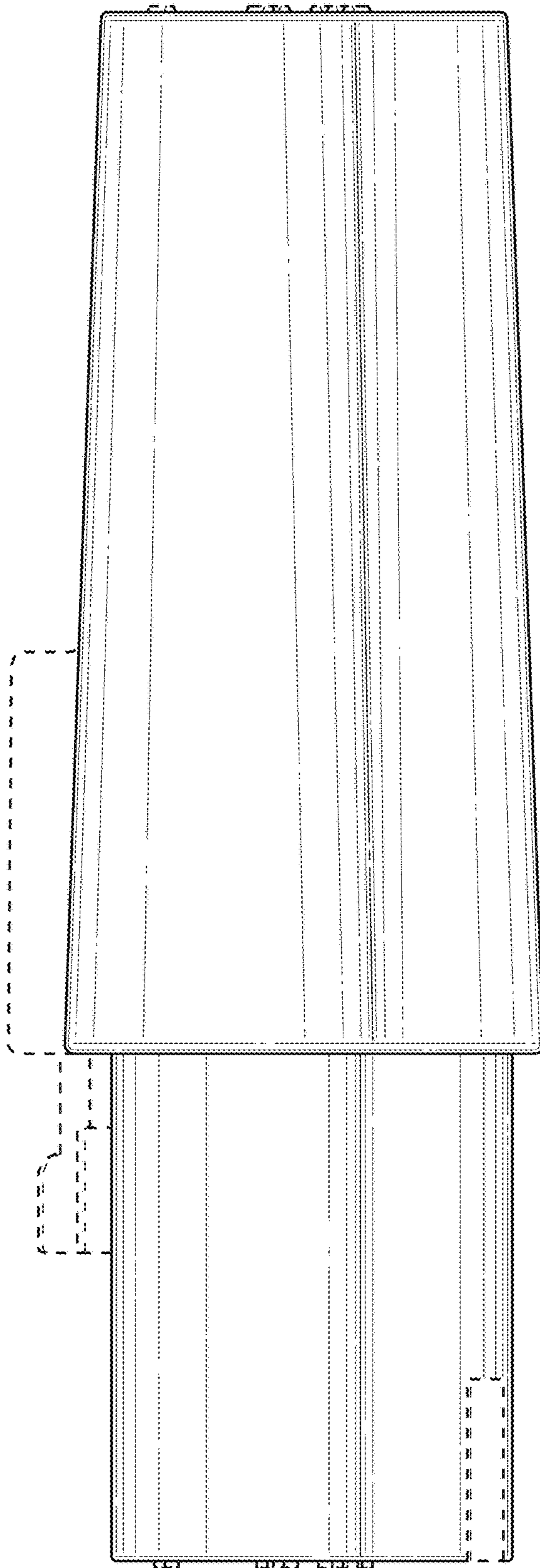


FIG. 4

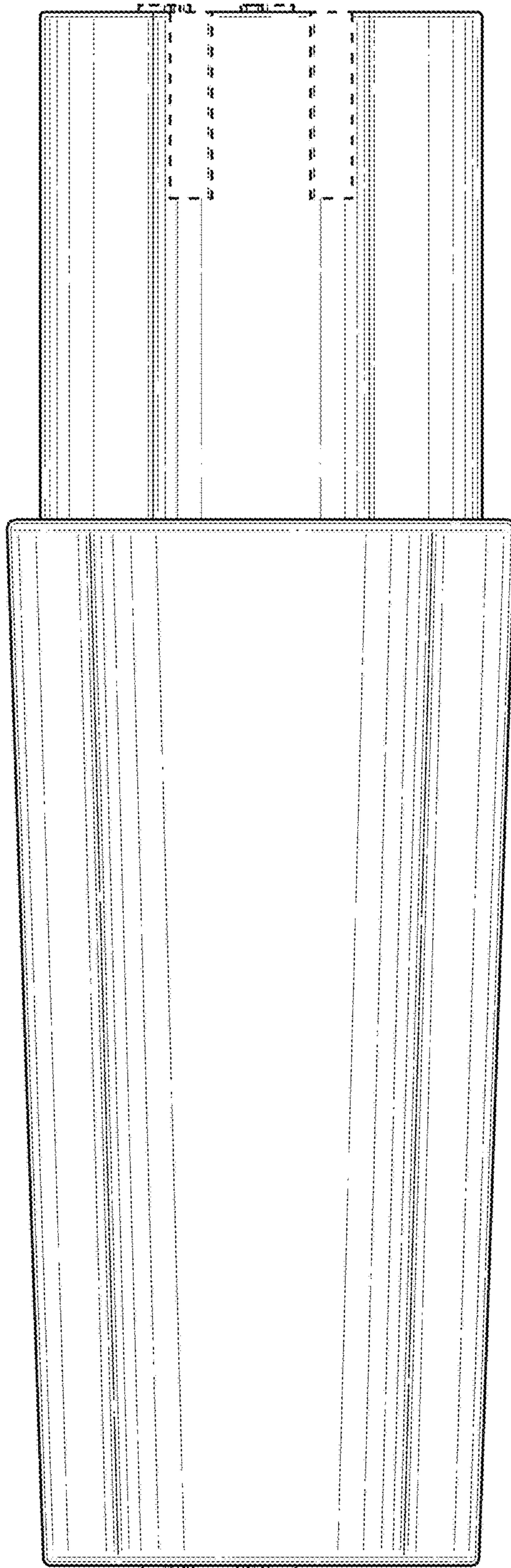


FIG. 5

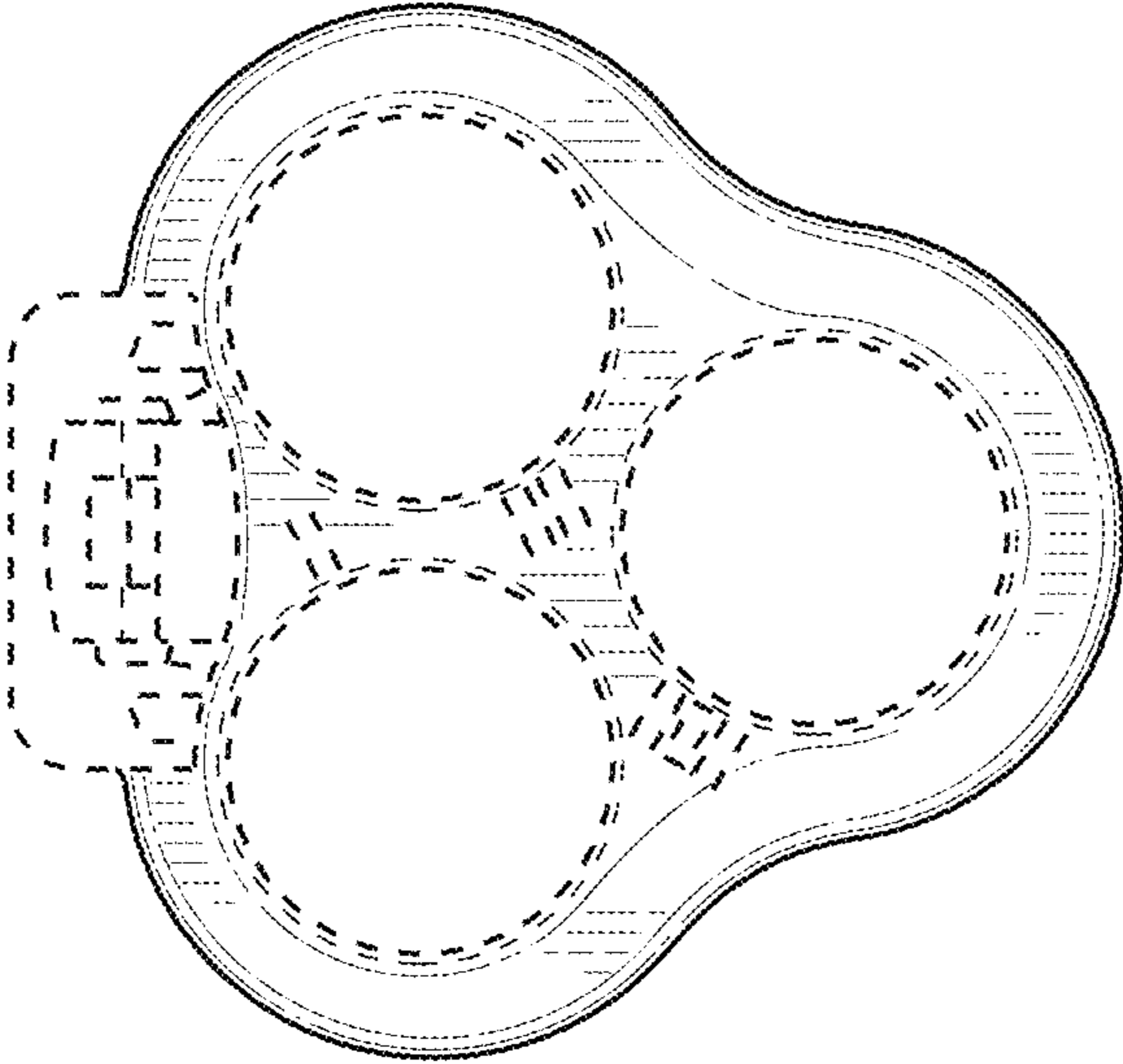


FIG. 6

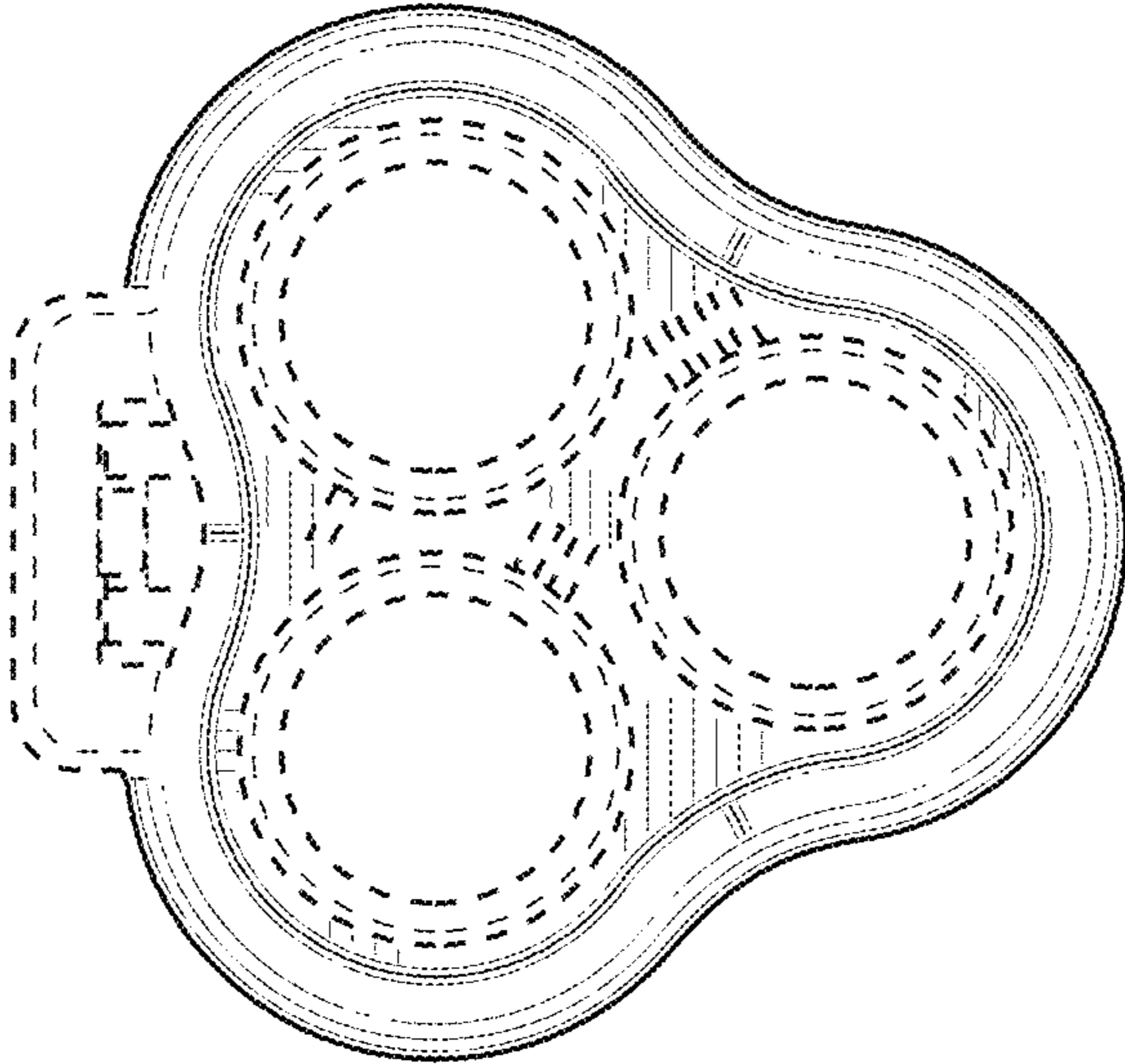


FIG. 7

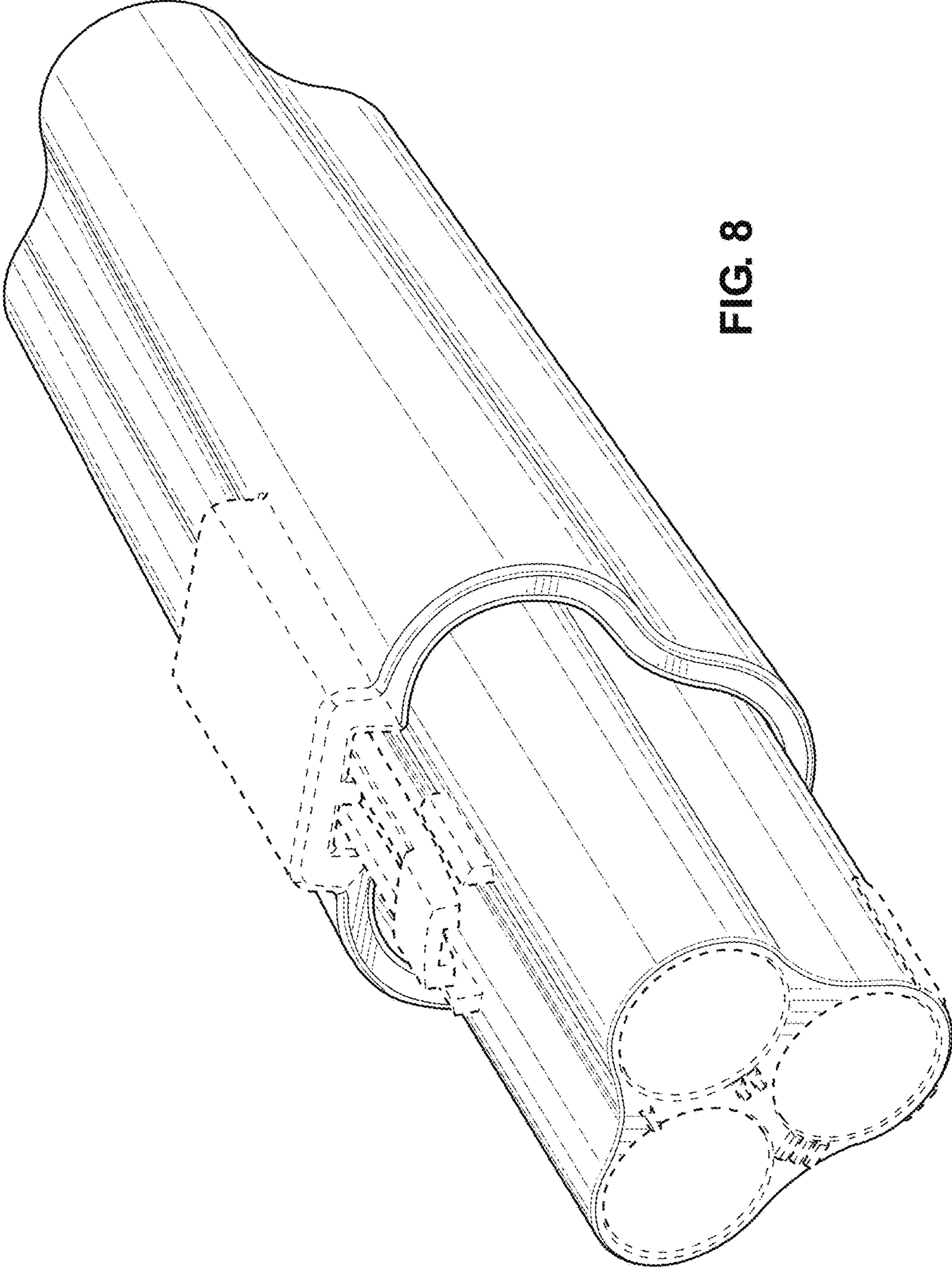


FIG. 8