



US00D822609S

(12) **United States Design Patent**  
**Aromin**

(10) **Patent No.:** **US D822,609 S**  
(45) **Date of Patent:** **\*\* Jul. 10, 2018**

(54) **SEALING ASSEMBLY FOR MATING AN ELECTRICAL DEVICE ENCLOSURE**

(71) Applicant: **Victor V. Aromin**, West Warwick, RI (US)

(72) Inventor: **Victor V. Aromin**, West Warwick, RI (US)

(73) Assignee: **TOWER MANUFACTURING CORP.**, Providence, RI (US)

(\*\*) Term: **15 Years**

(21) Appl. No.: **29/505,875**

(22) Filed: **Mar. 22, 2016**

(51) **LOC (11) Cl.** ..... **13-03**

(52) **U.S. Cl.**  
USPC ..... **D13/138.2**

(58) **Field of Classification Search**  
USPC ..... D13/103, 107, 110, 133, 137.2, 137.3, D13/137.4, 139.1, 139.2, 139.3, 139.4, D13/139.8, 154, 158, 177, 162, 138.1, D13/138.2, 139.6, 160, 137.1; D10/78  
CPC ..... A61M 5/1413; A61M 5/162; A61M 5/31; A61M 39/06; B65D 33/14; H01H 83/02; H01H 83/04; H02H 3/162; H02H 3/33; H01R 13/665; H01R 13/7135  
See application file for complete search history.

(56) **References Cited**

**U.S. PATENT DOCUMENTS**

D325,380	S	*	4/1992	Rao	.....	D13/138.1
D344,183	S	*	2/1994	Anderson	.....	D3/207
5,371,925	A	*	12/1994	Sawatsky	.....	B65D 33/004
						24/30.5 R
D434,010	S	*	11/2000	Stekelenburg	.....	D13/160
D454,546	S	*	3/2002	MacKay	.....	D13/160
D511,468	S	*	11/2005	Aromin	.....	D10/78
D511,469	S	*	11/2005	Aromin	.....	D10/78

D579,881	S	*	11/2008	Aromin	.....	D13/160
D633,869	S	*	3/2011	Aromin	.....	D13/138.1
D635,937	S	*	4/2011	Aromin	.....	D13/138.1
D652,801	S	*	1/2012	Zou	.....	D13/139.8
8,390,404	B2	*	3/2013	Zou	.....	H01R 13/7135
						335/18
D708,575	S	*	7/2014	Aromin	.....	D13/110
D708,576	S	*	7/2014	Aromin	.....	D13/110
D727,185	S	*	4/2015	Aromin	.....	D10/78
D730,845	S	*	6/2015	Aromin	.....	D13/160

(Continued)

*Primary Examiner* — Rosemary K Tarcza

*Assistant Examiner* — Christy M Nemeth

(57) **CLAIM**

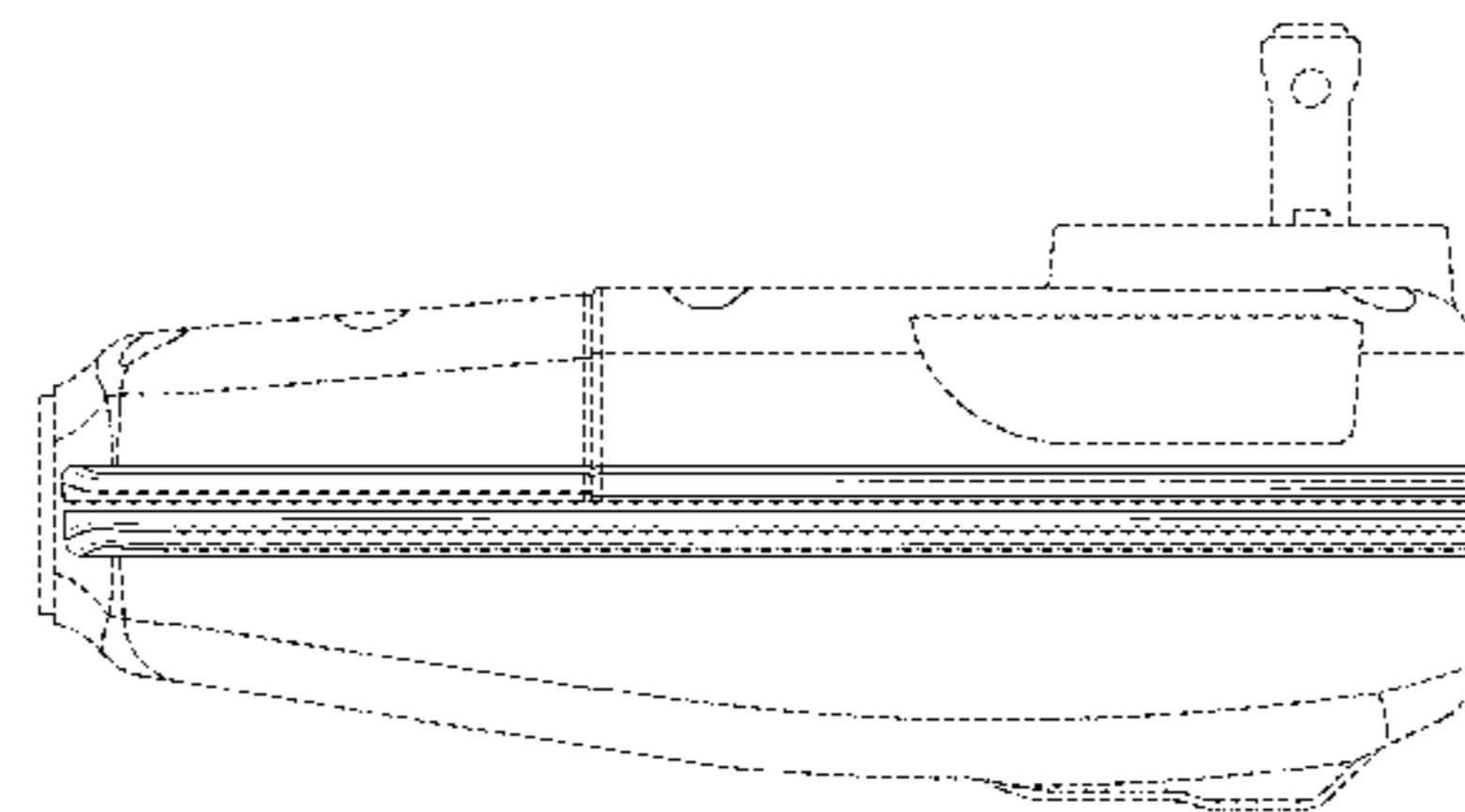
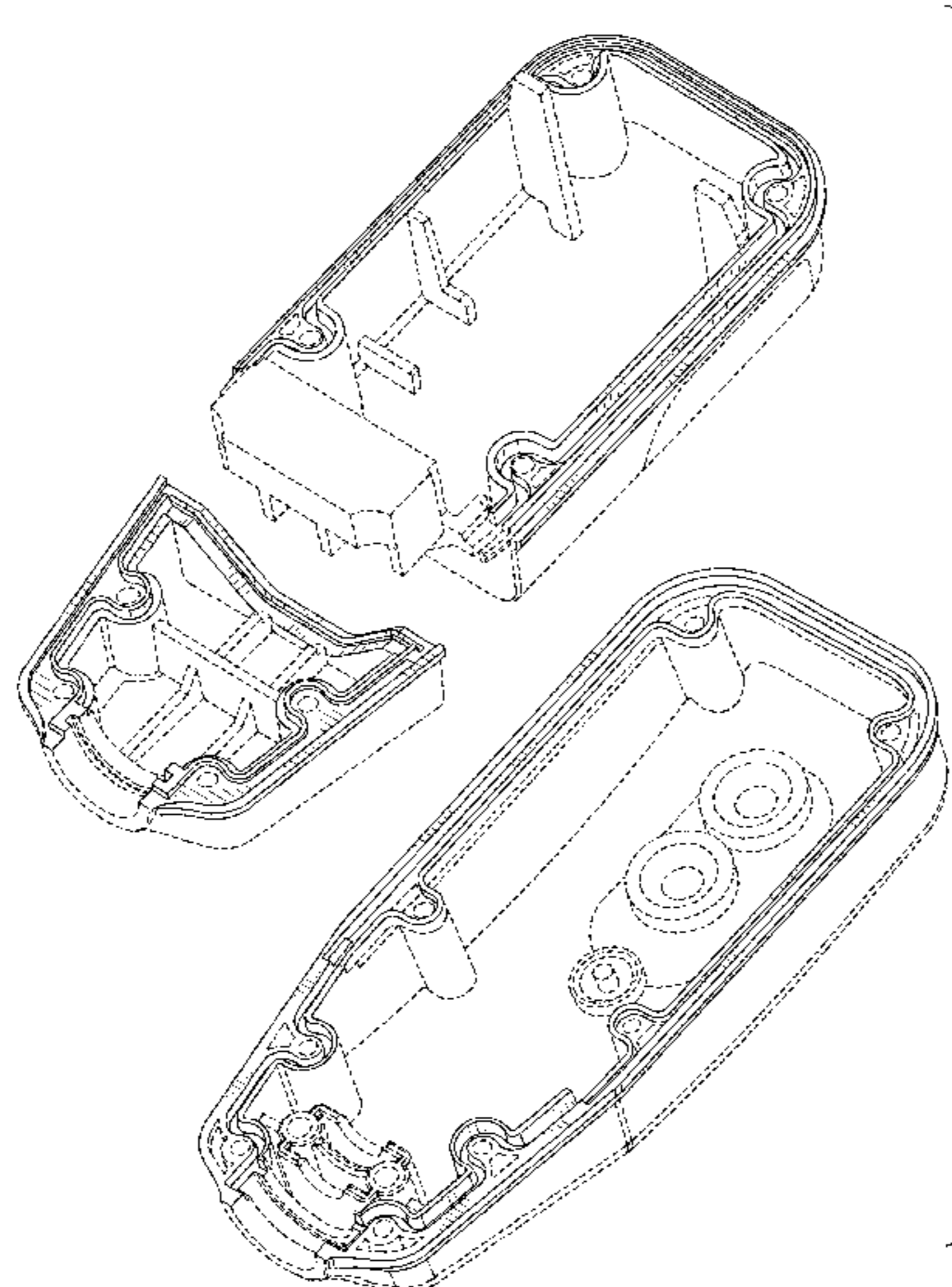
The ornamental design for a sealing assembly for mating an electrical device enclosure, as shown and described.

**DESCRIPTION**

FIG. 1 is an exploded perspective view of the sealing assembly for mating are electrical device enclosure employ- ing my new design;  
 FIG. 2 is a top view of FIG. 1;  
 FIG. 3 is a perspective partial assembled view of FIG. 1;  
 FIG. 4 is a top view of the assembled sealing assembly of FIG. 1;  
 FIG. 5 is a bottom view of the assembled sealing assembly of FIG. 1;  
 FIG. 6 is a right side view of the assembled sealing assembly of FIG. 1;  
 FIG. 7 is a left side view of the assembled sealing assembly of FIG. 1;  
 FIG. 8 is a rear view of the assembled sealing assembly of FIG. 1; and,  
 FIG. 9 is a front view of the assembled sealing assembly of FIG. 1.

The broken lines showing portions of the article are included for the purpose of illustrating environmental structure and form no part of the claimed design.

**1 Claim, 8 Drawing Sheets**



(56)

**References Cited**

## U.S. PATENT DOCUMENTS

D731,422 S \* 6/2015 Aromin ..... D13/110  
D735,136 S \* 7/2015 Aromin ..... D13/138.2  
D742,817 S \* 11/2015 Lammers-Meis ..... D13/103  
D742,831 S \* 11/2015 Yu ..... D13/139.6  
D765,041 S \* 8/2016 Yu ..... D13/160  
9,478,382 B1 \* 10/2016 Aromin ..... H01H 83/02  
D771,568 S \* 11/2016 Romandy ..... D13/133  
D772,231 S \* 11/2016 Lee ..... D13/133  
2008/0094764 A1 \* 4/2008 Zhang ..... H01R 13/665  
361/42  
2010/0046128 A1 \* 2/2010 Wang ..... H01H 83/14  
361/42  
2012/0211946 A1 \* 8/2012 Halili ..... A61M 5/162  
277/607  
2012/0215183 A1 \* 8/2012 Halili ..... A61M 5/31  
604/257  
2012/0323188 A1 \* 12/2012 Yavorsky ..... A61M 39/06  
604/256  
2013/0046252 A1 \* 2/2013 Yavorsky ..... A61M 39/06  
604/244  
2013/0116632 A1 \* 5/2013 Yavorsky ..... A61M 5/1413  
604/257  
2015/0214719 A1 \* 7/2015 Aromin ..... H02H 3/33  
361/42  
2016/0380424 A1 \* 12/2016 Aromin ..... H02H 3/162  
361/50

\* cited by examiner

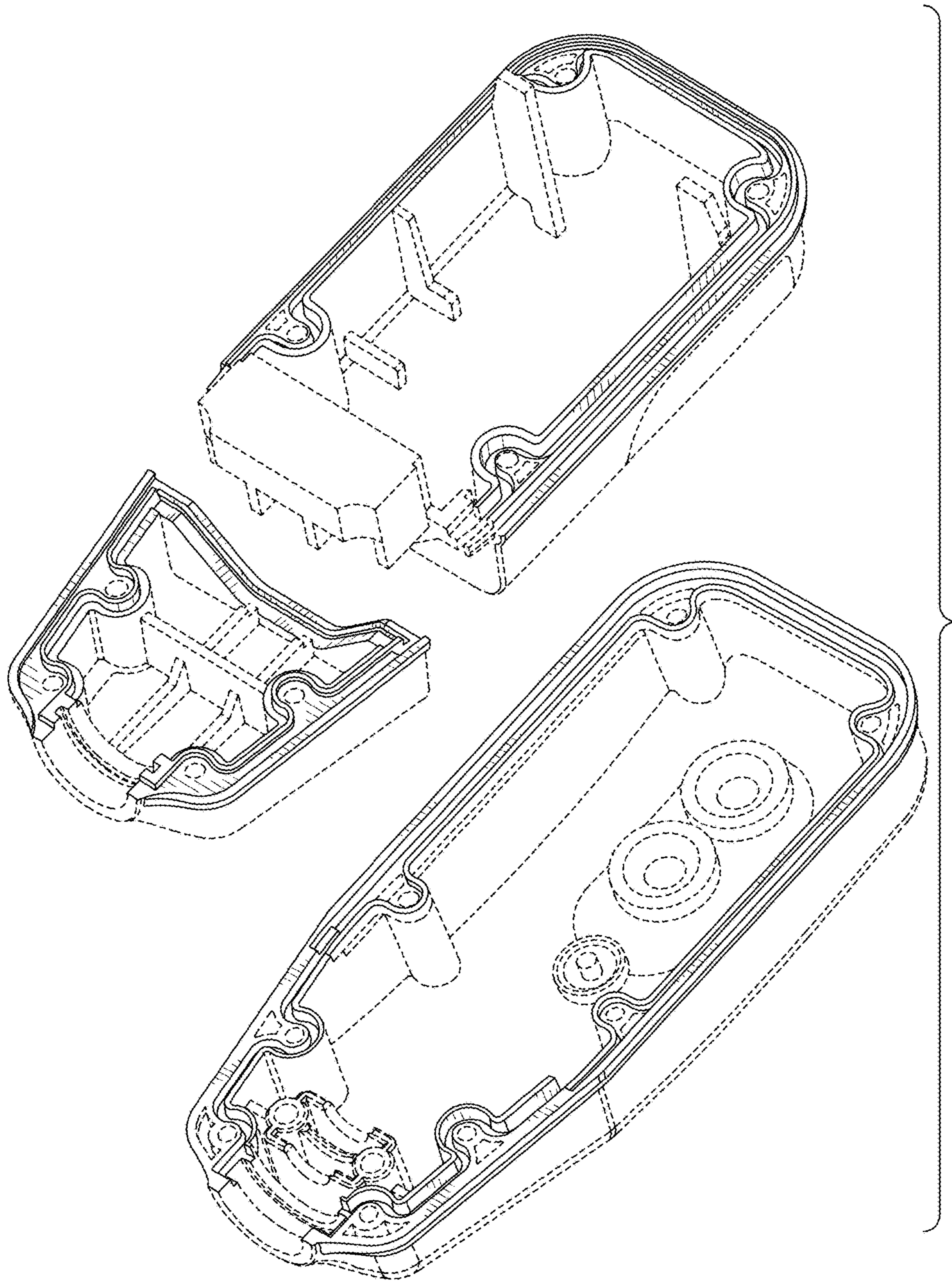


FIG. 1

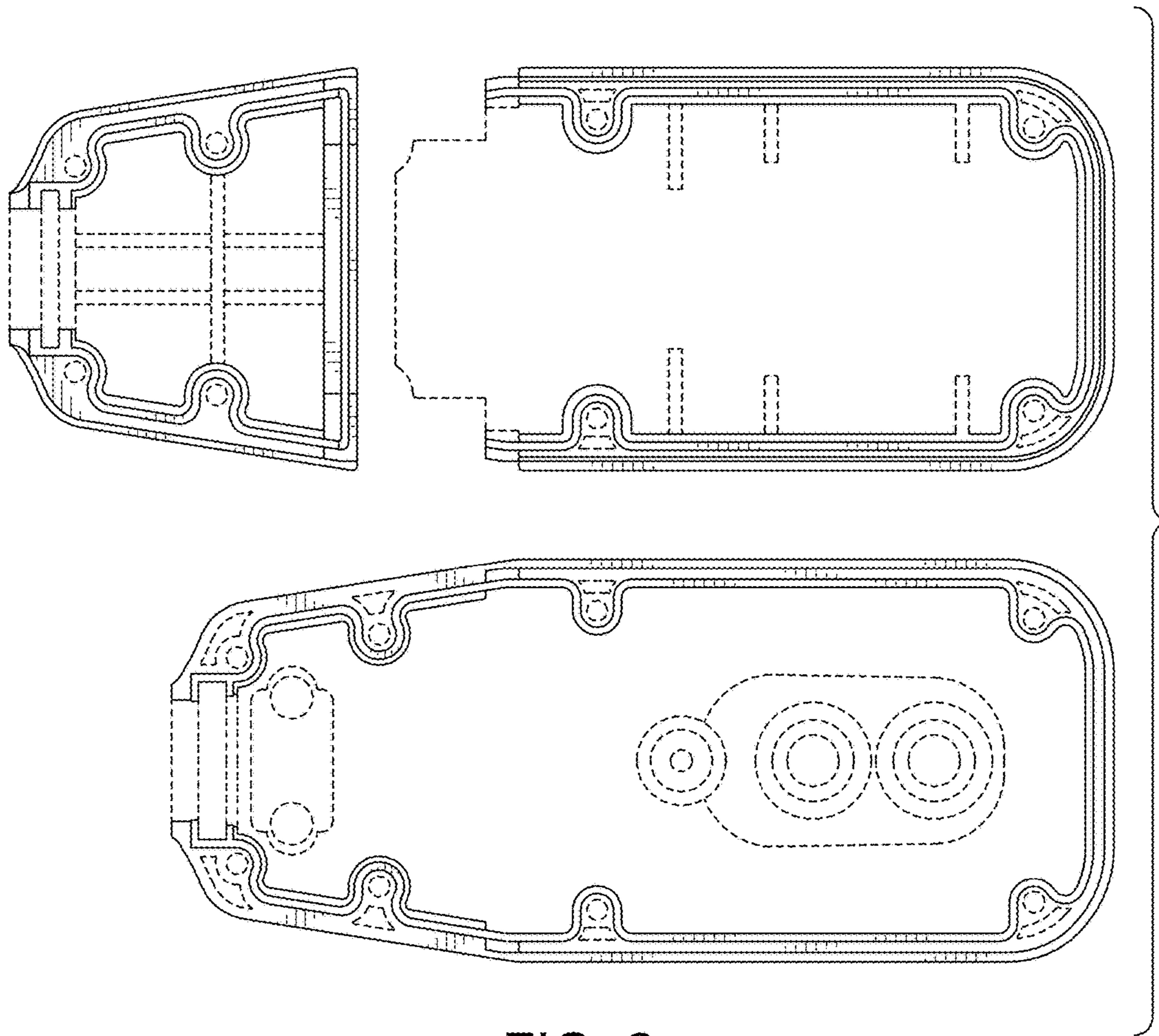


FIG. 2

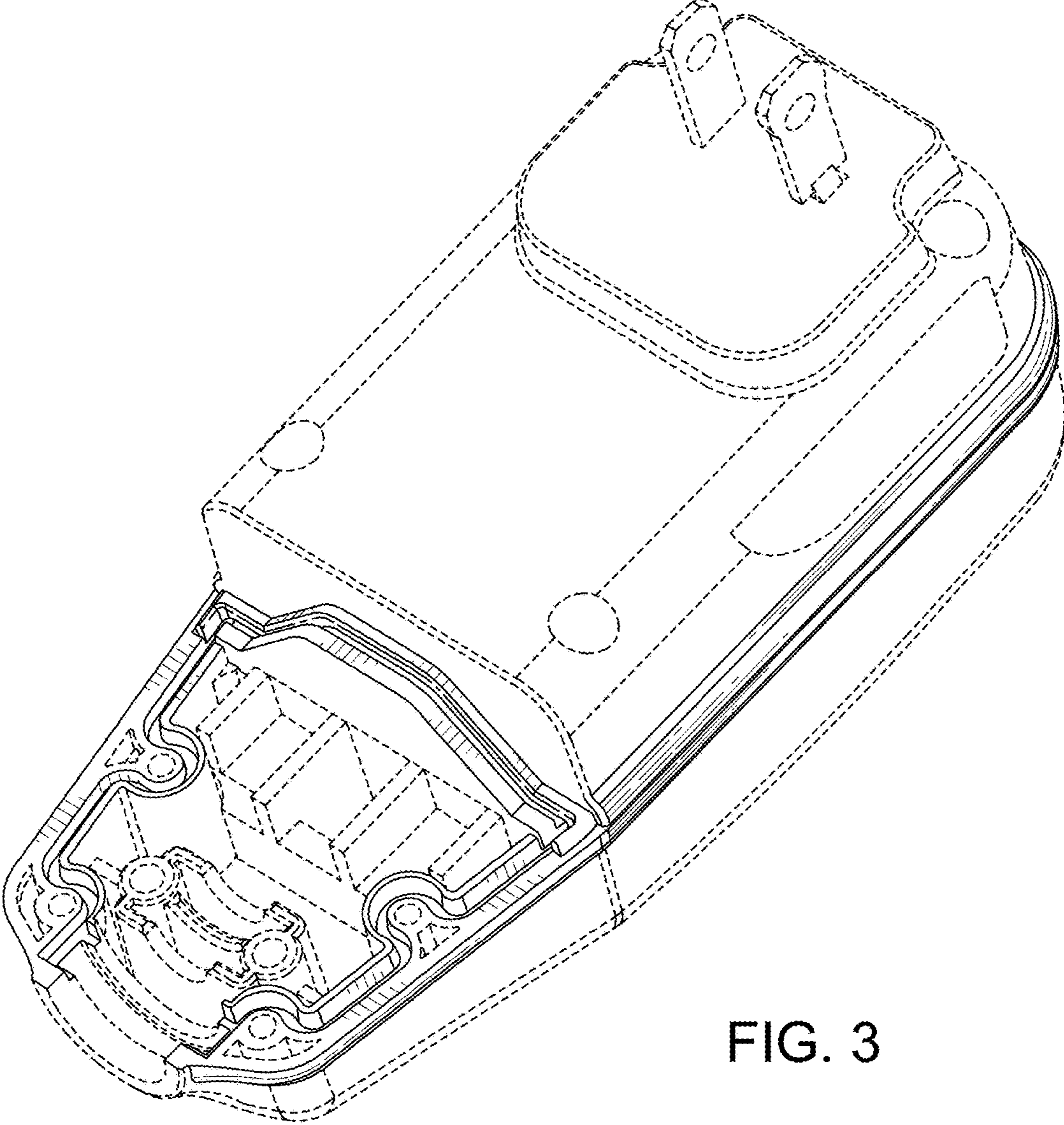


FIG. 3

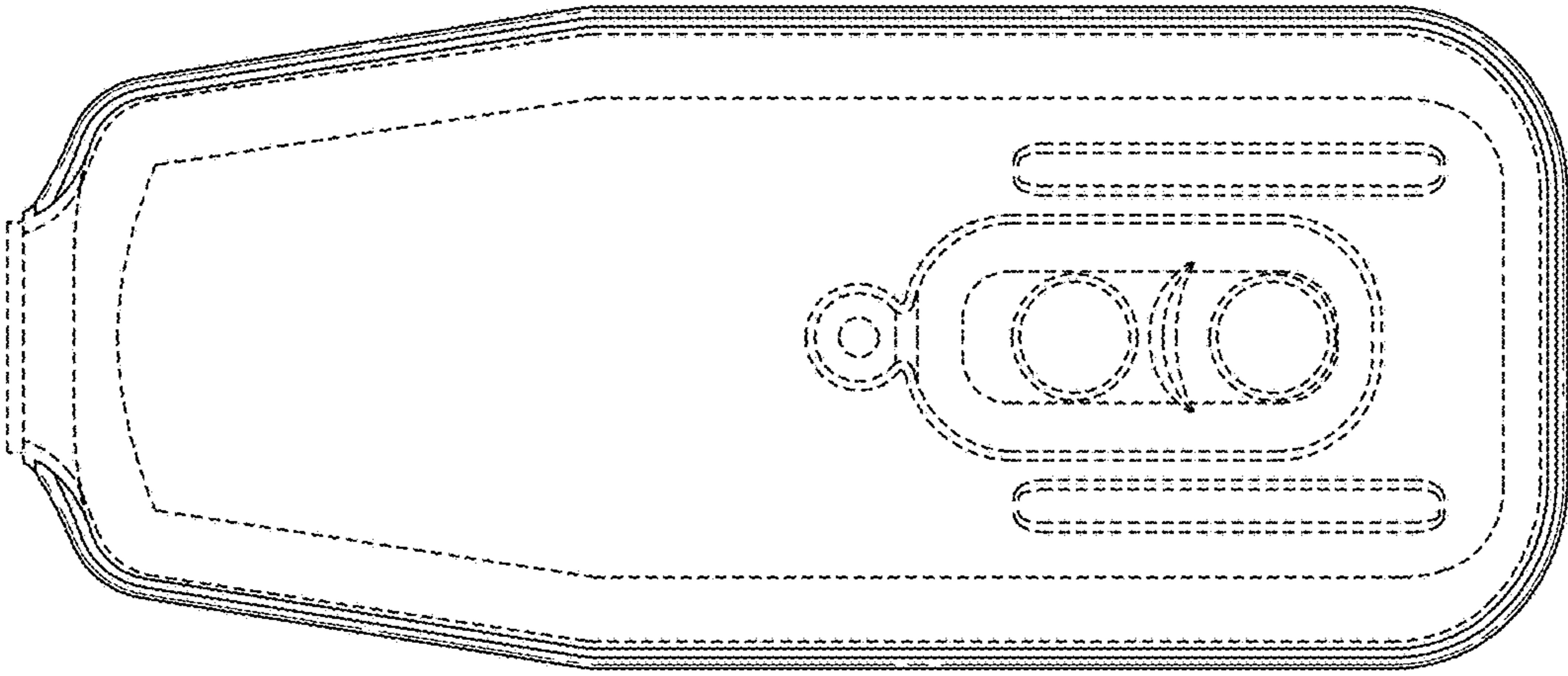


FIG. 4

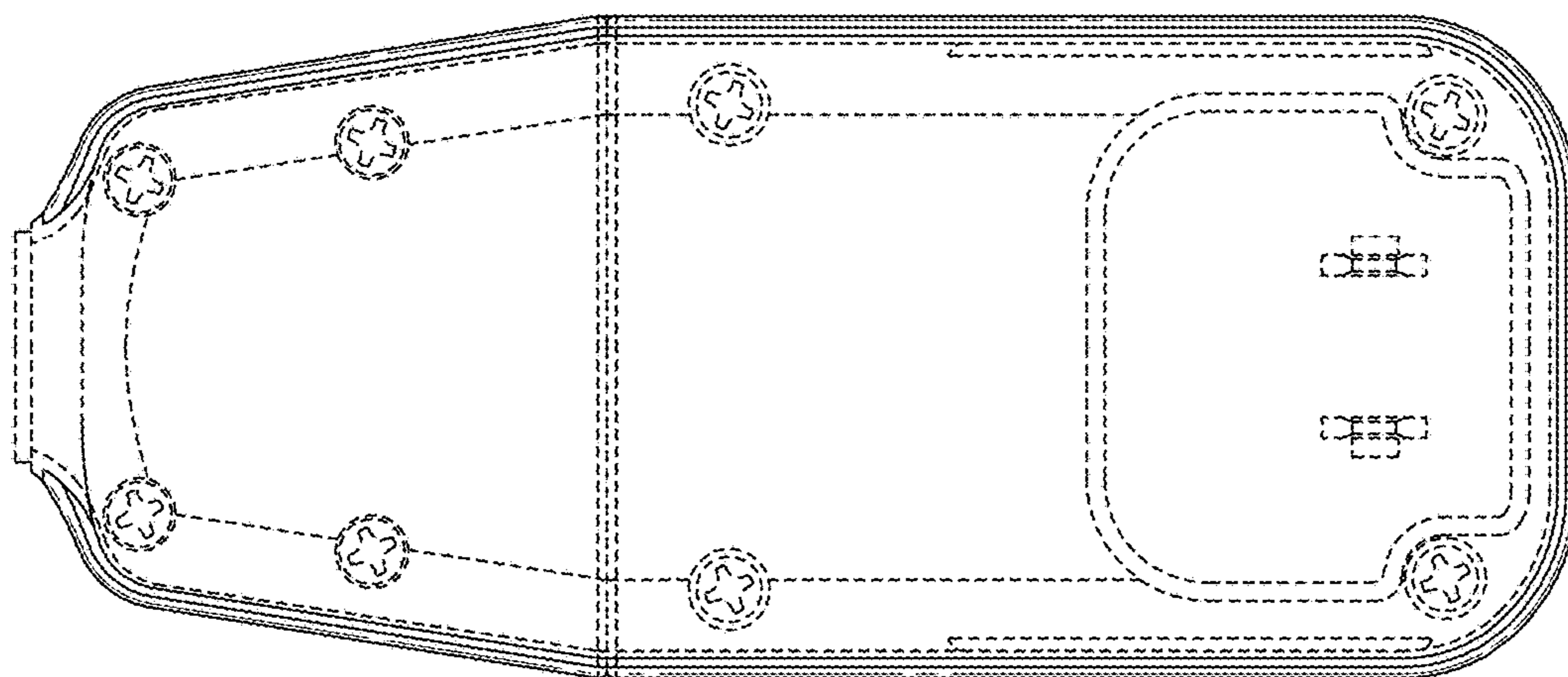


FIG. 5

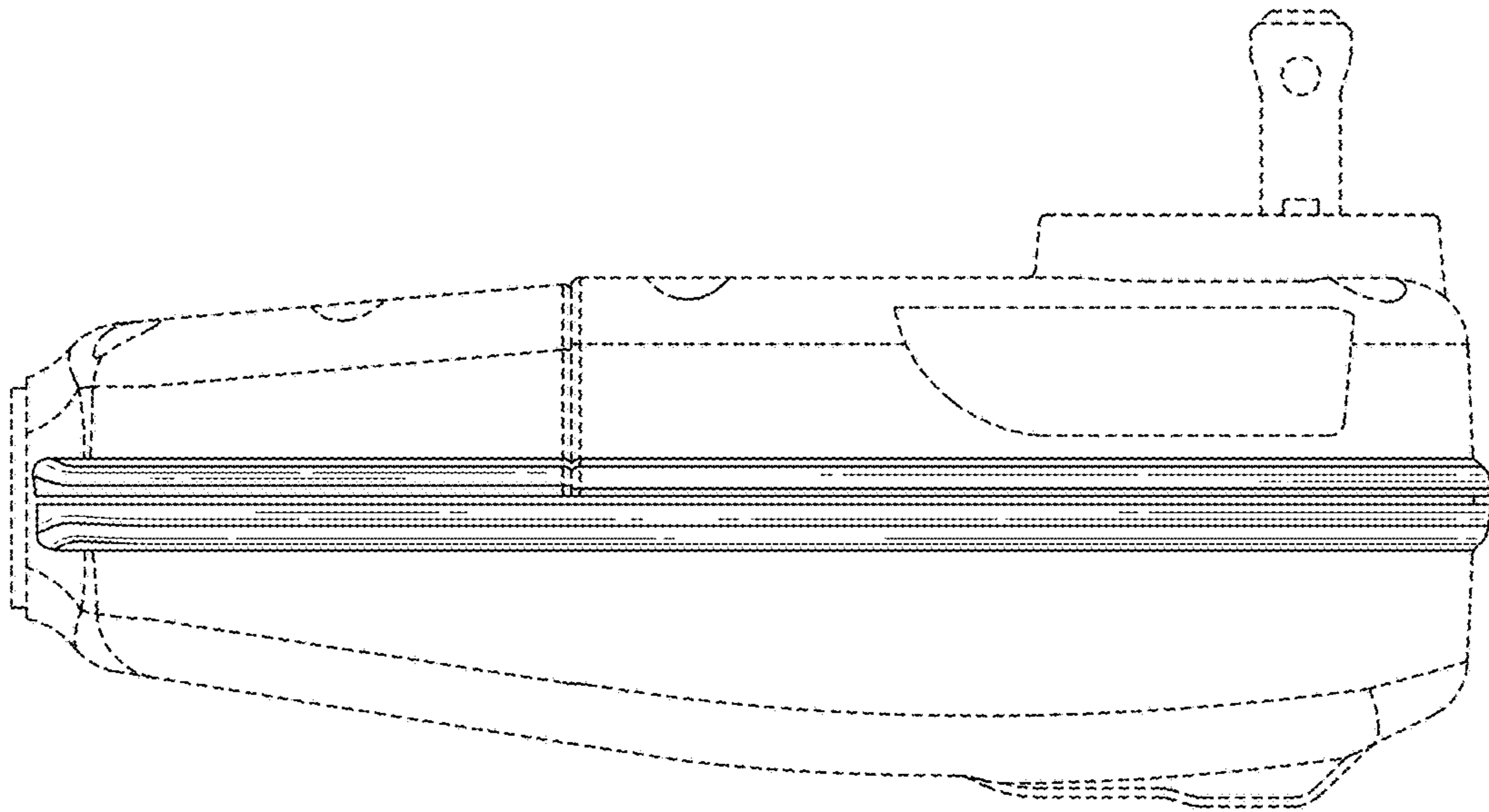


FIG. 6



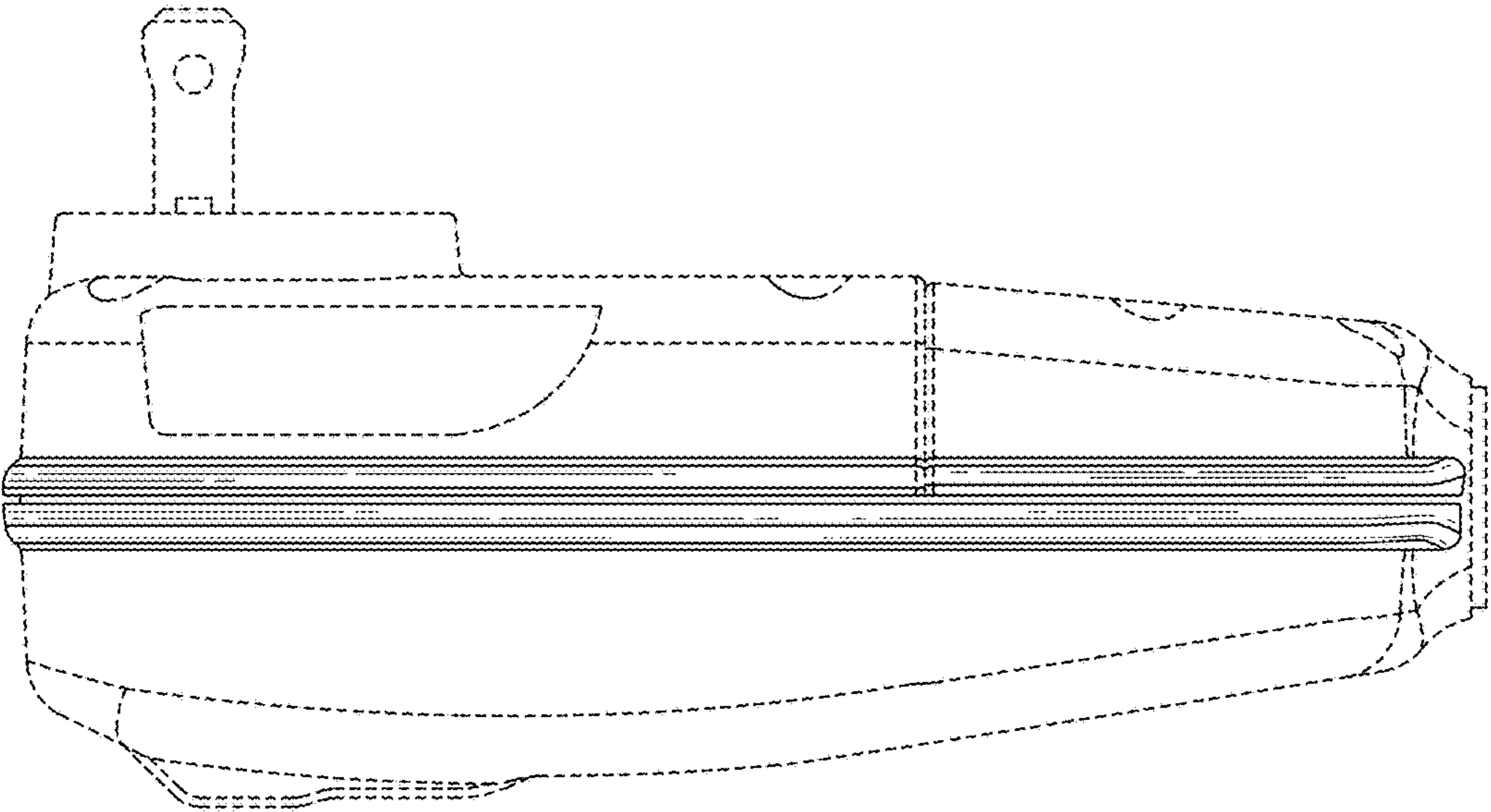


FIG. 7

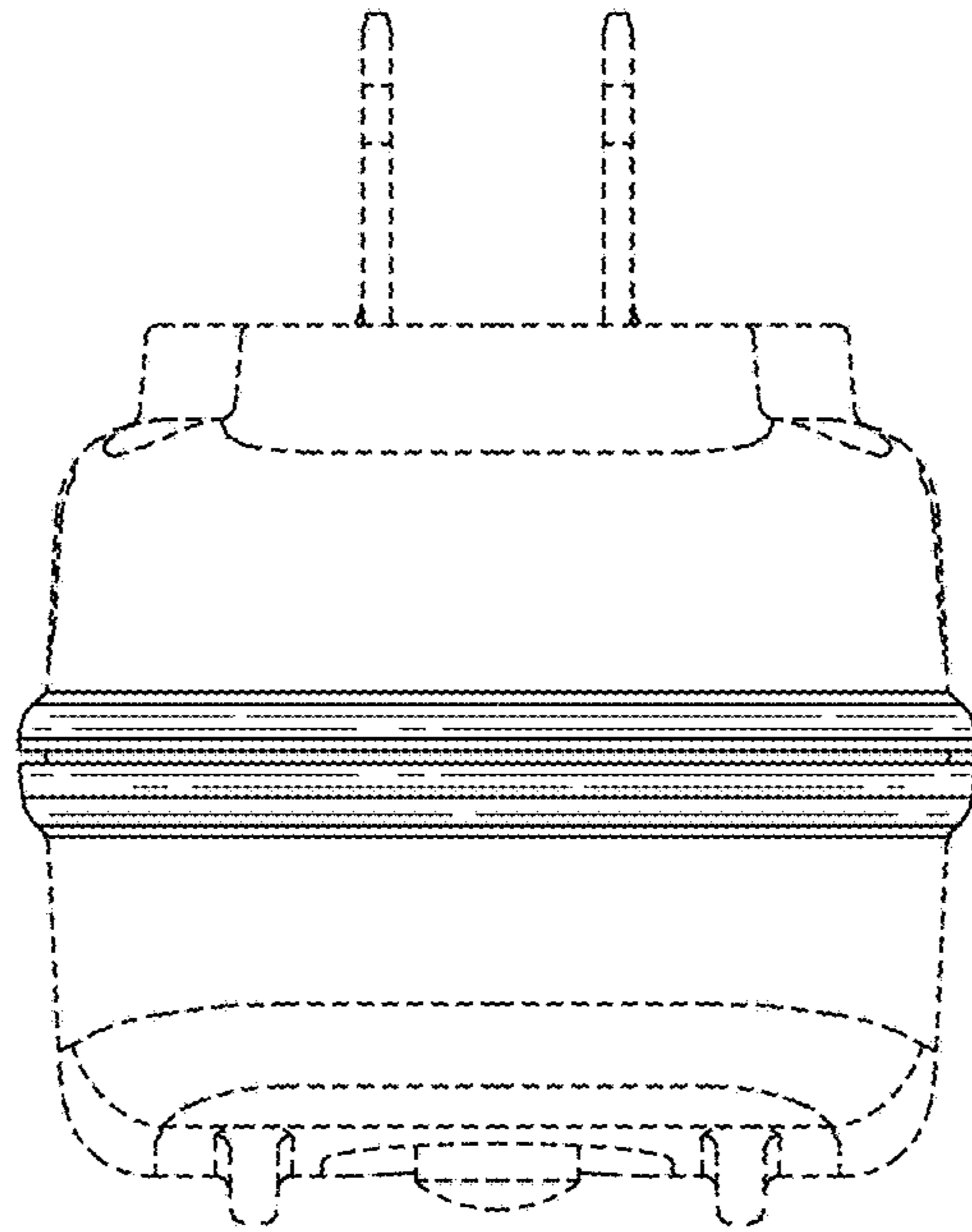


FIG. 8

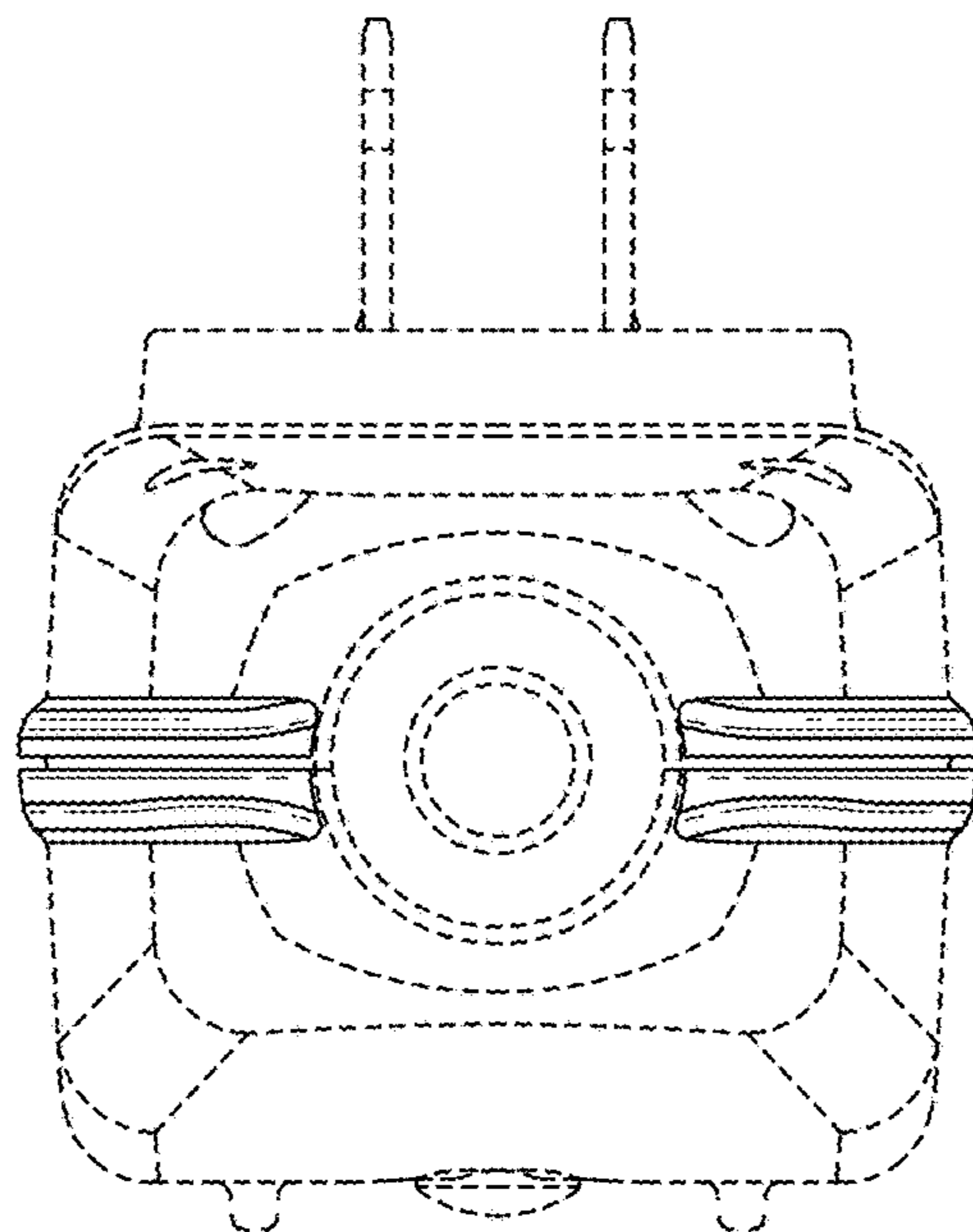


FIG. 9