



US00D822607S

(12) **United States Design Patent**  
**Chadbourne**

(10) **Patent No.:** **US D822,607 S**  
(45) **Date of Patent:** **\*\* Jul. 10, 2018**

- (54) **ADAPTER FOR CONNECTOR**
- (71) Applicant: **Molex, LLC**, Lisle, IL (US)
- (72) Inventor: **Richard Chadbourne**, Lisle, IL (US)
- (73) Assignee: **Molex, LLC**, Lisle, IL (US)
- (\*\*) Term: **15 Years**
- (21) Appl. No.: **29/619,650**
- (22) Filed: **Sep. 29, 2017**
- (51) **LOC (11) Cl.** ..... **13-03**
- (52) **U.S. Cl.**  
USPC ..... **D13/133**
- (58) **Field of Classification Search**  
USPC ..... D13/110, 112, 118, 120, 122, 123, 133,  
D13/146, 147, 154, 173, 184, 199  
CPC . H01H 71/08; H01R 4/30; H01R 9/22; H01R  
9/287; H01R 9/30; H01R 12/71; H01R  
12/72; H01R 13/40; H01R 13/50; H01R  
13/514; H01R 13/641; H01R 13/65;  
H01R 13/6593; H01R 13/70; H01R  
13/7036; H01R 24/60; H01R 29/00  
See application file for complete search history.

- 6,364,694 B1 \* 4/2002 Lien ..... H01R 13/641  
439/188
- D504,401 S \* 4/2005 Wang ..... D13/147
- 7,037,141 B1 \* 5/2006 Huang ..... H01R 13/641  
439/676
- D651,176 S \* 12/2011 Kobayashi ..... D13/147
- D655,678 S \* 3/2012 Kobayashi ..... D13/147
- 2012/0021629 A1 \* 1/2012 Chen ..... H01R 13/7036  
439/188
- 2012/0045943 A1 \* 2/2012 Huber ..... H01R 13/6593  
439/660

**OTHER PUBLICATIONS**

Micronwings.com Molex 1.25mm 3P, dated Jan. 10, 2016, [online], [site visited Apr. 24, 2018]. Available from Internet, <URL: https://www.micronwings.com/HintsAndTips/RCConnecorTypes/Molex3P/index.shtml> (Year: 2106).\*

\* cited by examiner

*Primary Examiner* — Thomas J Johannes  
*Assistant Examiner* — Shawn T Gingrich  
(74) *Attorney, Agent, or Firm* — Banner & Witcoff, Ltd.

(57) **CLAIM**

The ornamental design for an adapter for connector, as shown and described.

**DESCRIPTION**

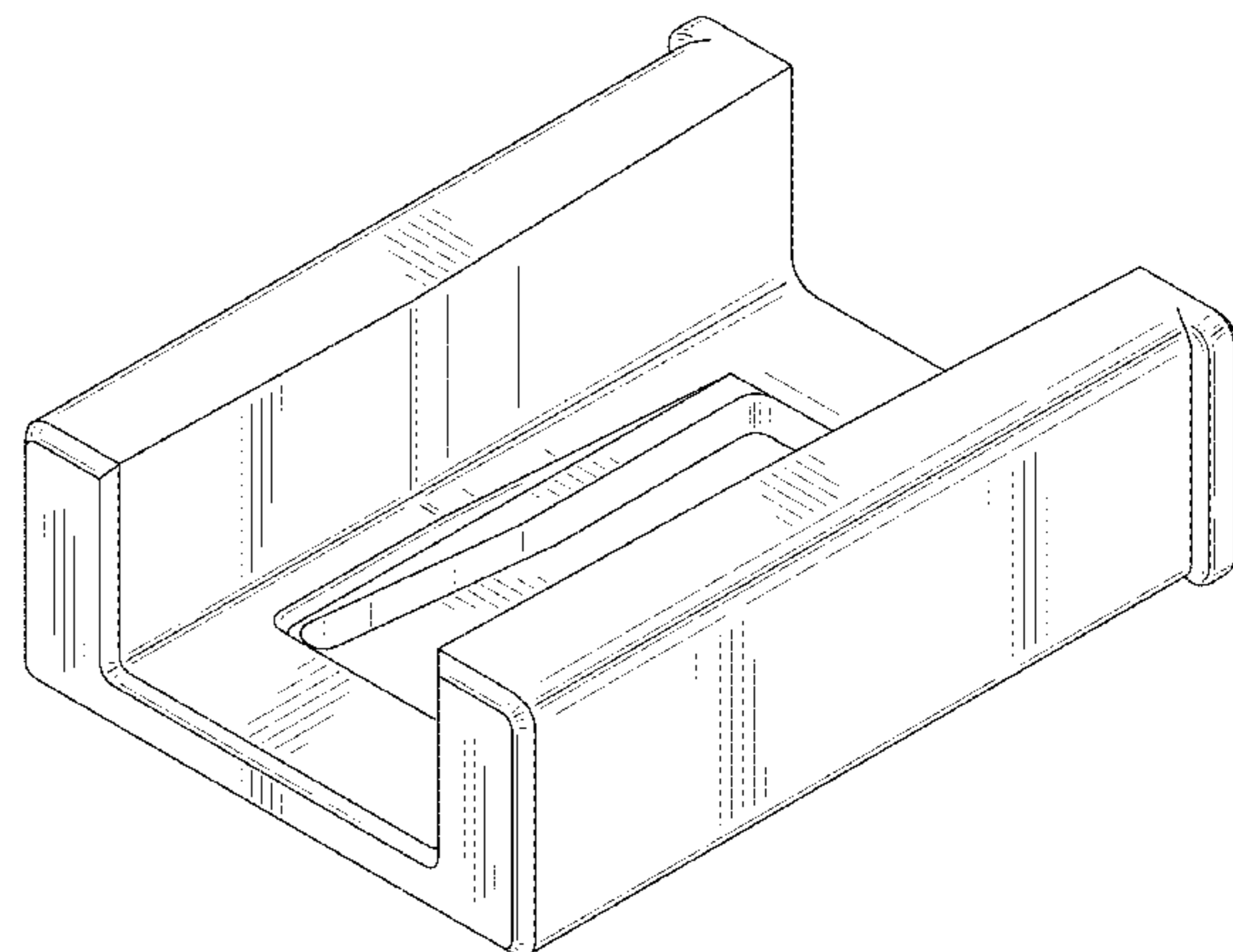
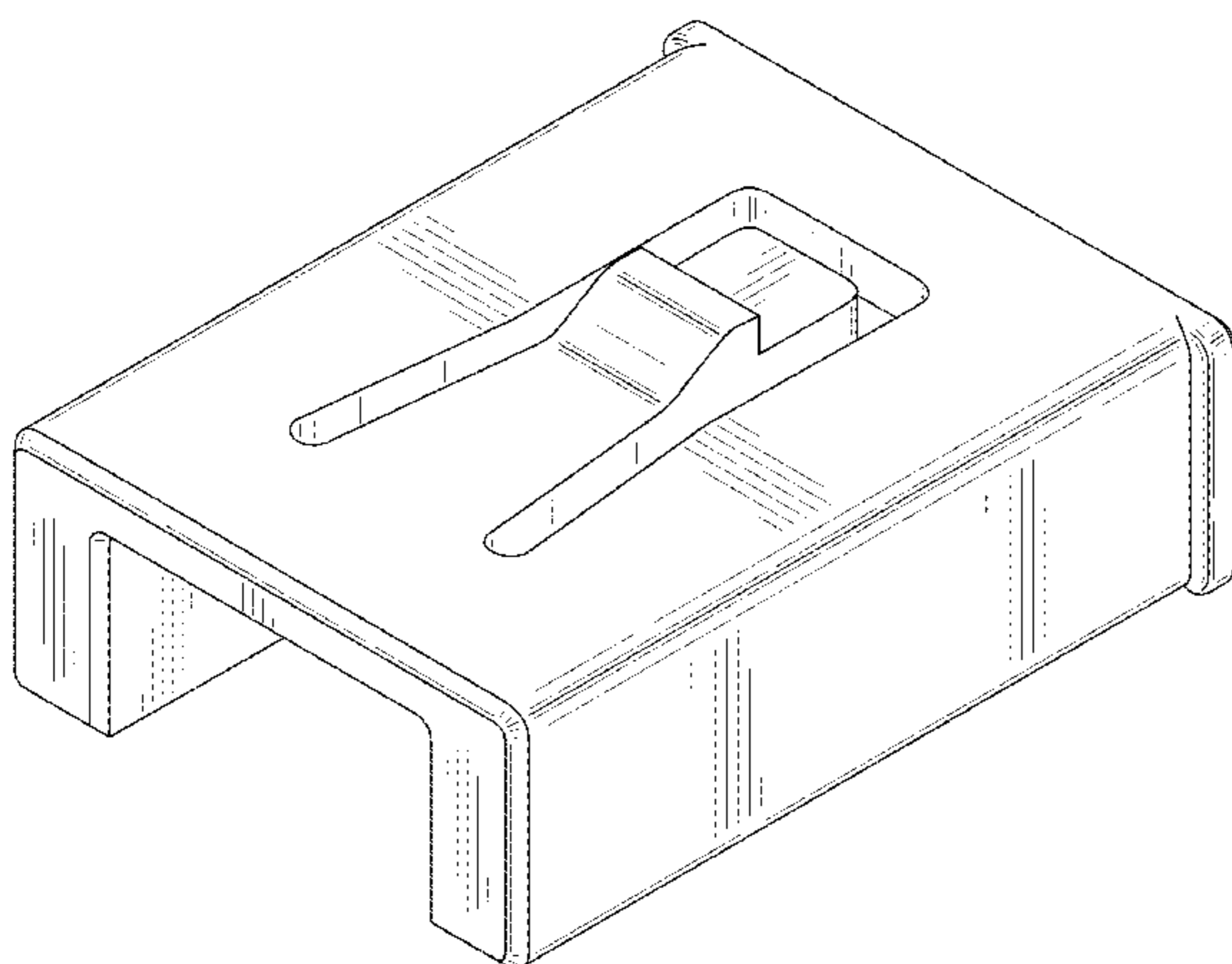
FIG. 1 is a front-top-right perspective view of an adapter for connector showing my new design;  
FIG. 2 is a front view thereof;  
FIG. 3 is a right side thereof;  
FIG. 4 is a left side thereof;  
FIG. 5 is a top view thereof;  
FIG. 6 is a bottom view thereof;  
FIG. 7 is a front-bottom-left perspective view thereof;  
FIG. 8 is a front-bottom-right perspective view thereof; and,  
FIG. 9 is a rear view thereof.

**1 Claim, 9 Drawing Sheets**

(56) **References Cited**

**U.S. PATENT DOCUMENTS**

- 1,593,193 A \* 7/1926 Ryno ..... H01H 9/287  
174/5 R
- 3,813,636 A \* 5/1974 Mason ..... H01R 9/22  
439/460
- 4,580,861 A \* 4/1986 Kaley ..... H01R 13/514  
439/594
- 4,597,627 A \* 7/1986 Wondra ..... H01R 13/514  
439/174
- D293,313 S \* 12/1987 Justiano ..... D13/133
- D437,828 S \* 2/2001 Corona ..... D13/146
- D439,885 S \* 4/2001 Ushio ..... D13/147
- D447,122 S \* 8/2001 Harasawa ..... D13/147



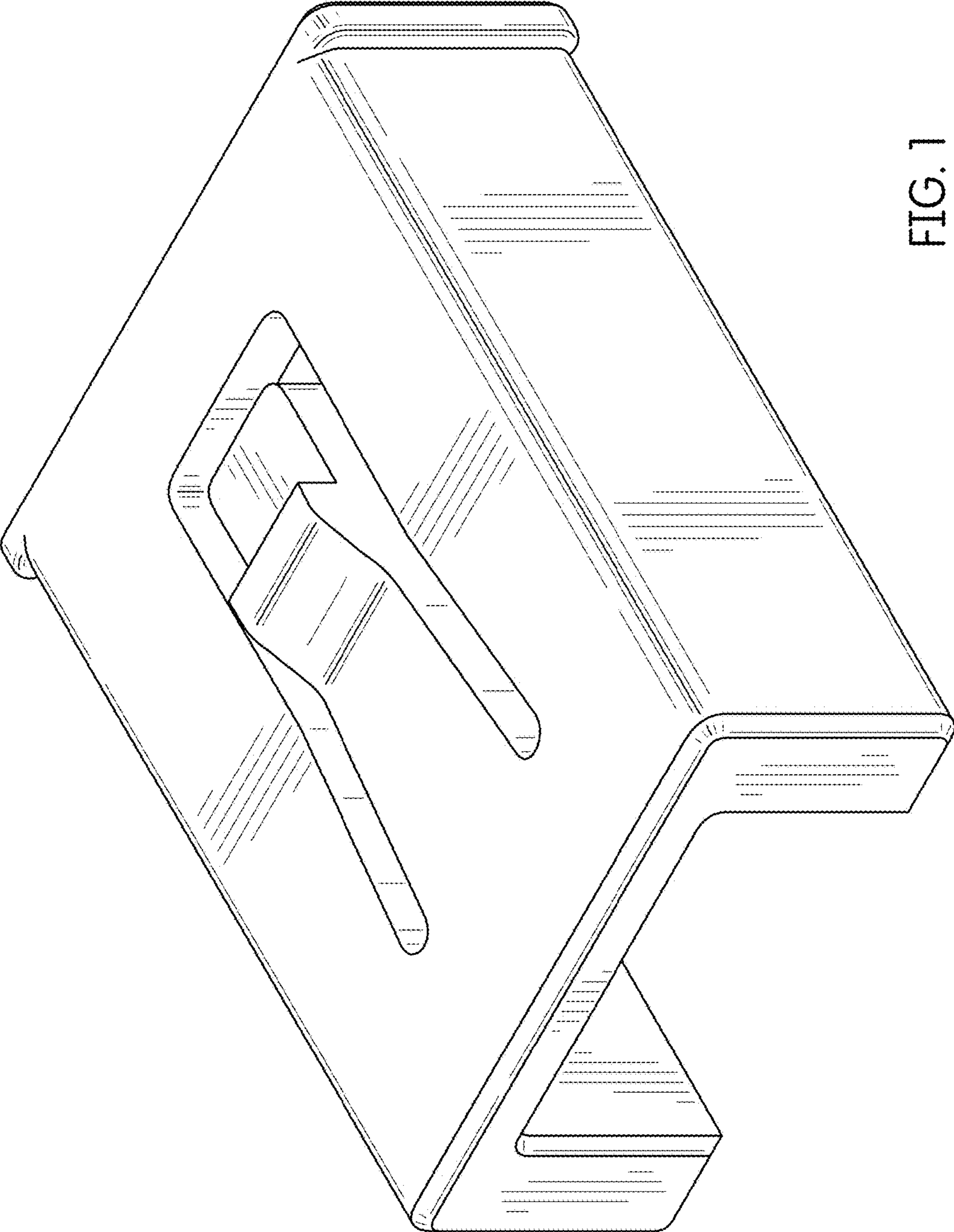


FIG. 1

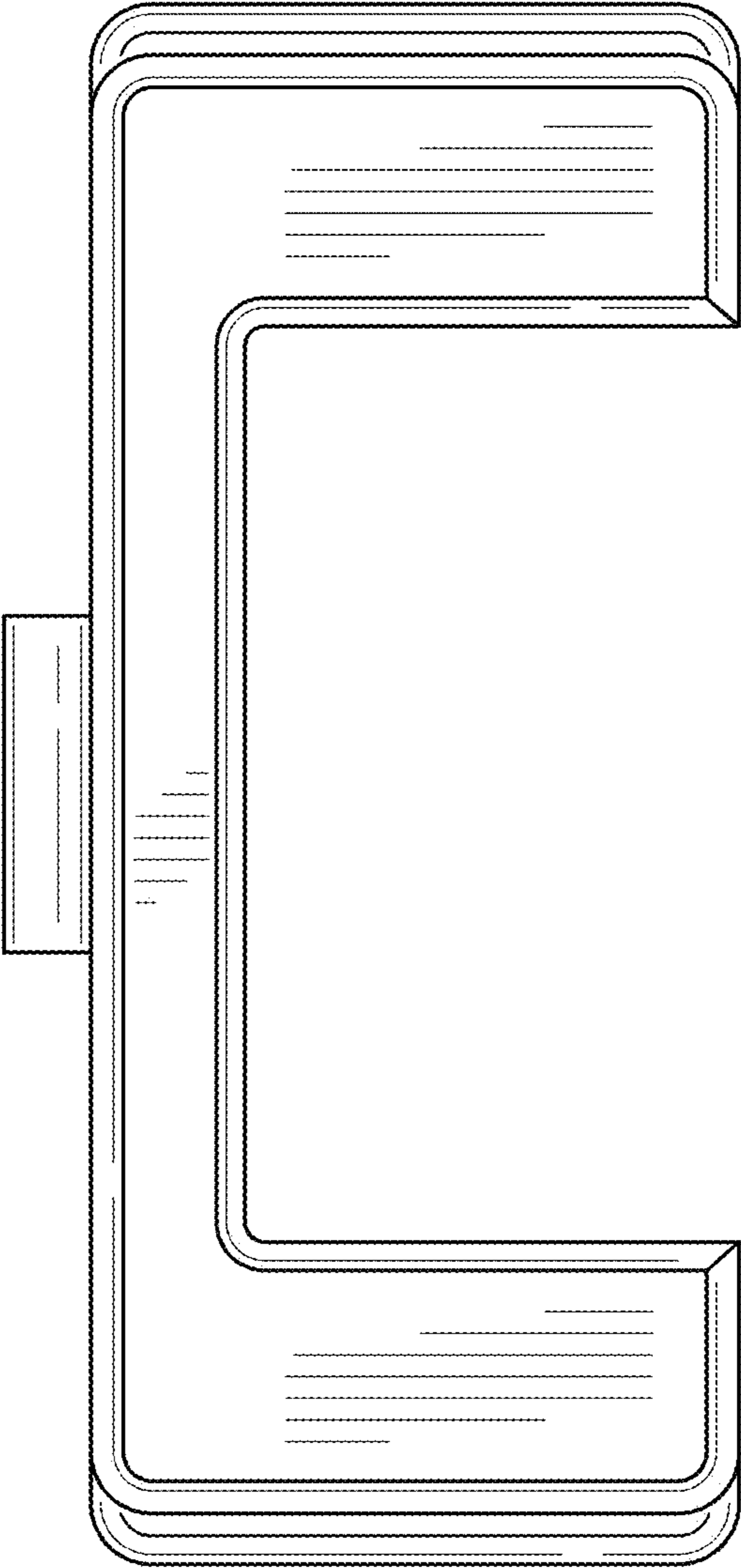


FIG. 2

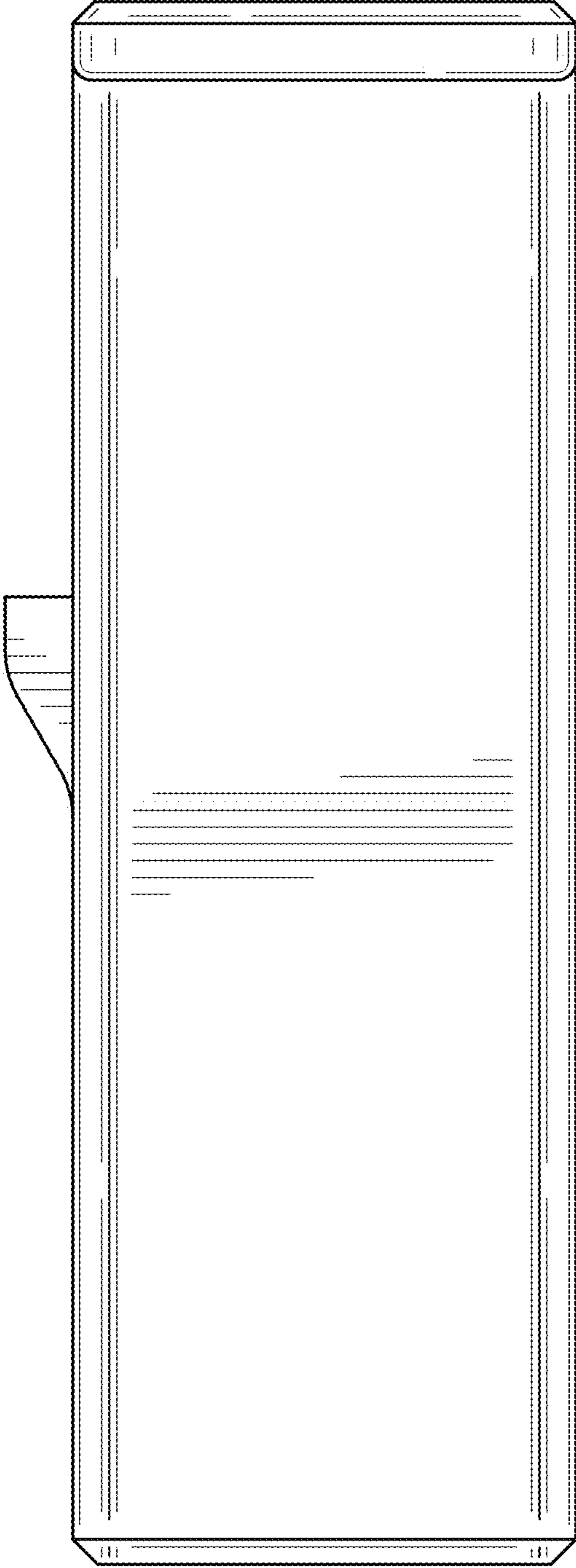


FIG. 3

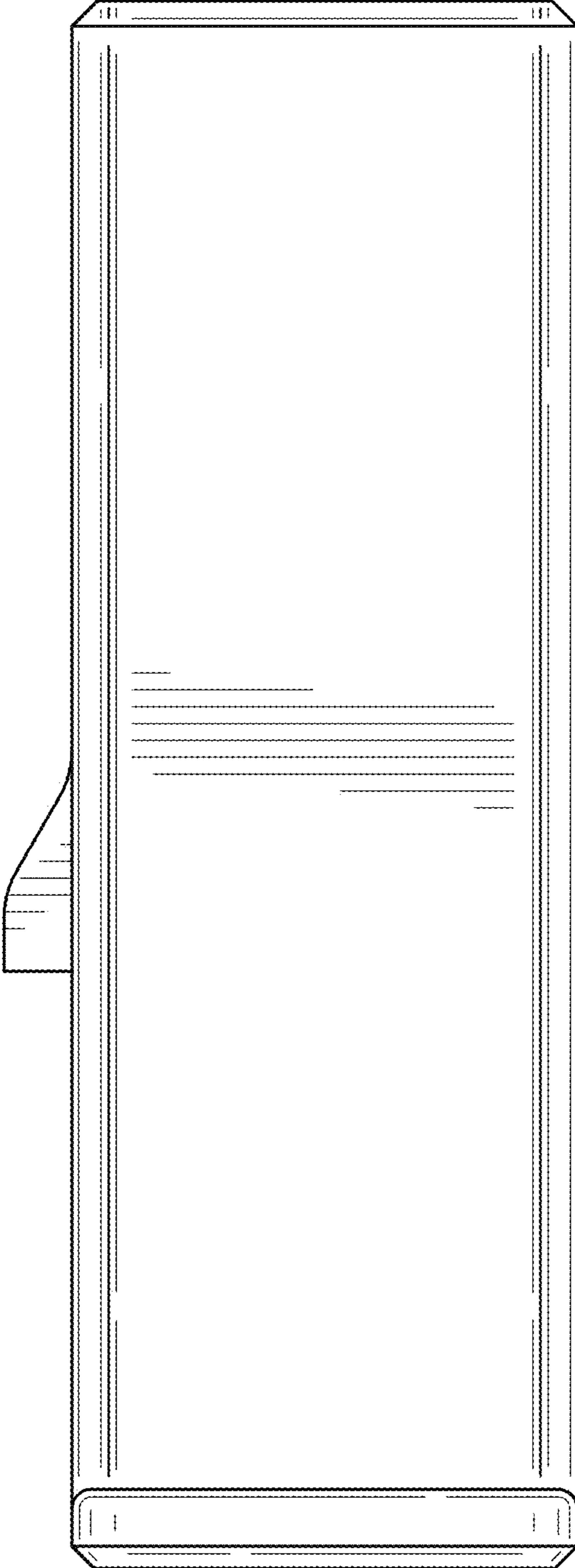


FIG. 4

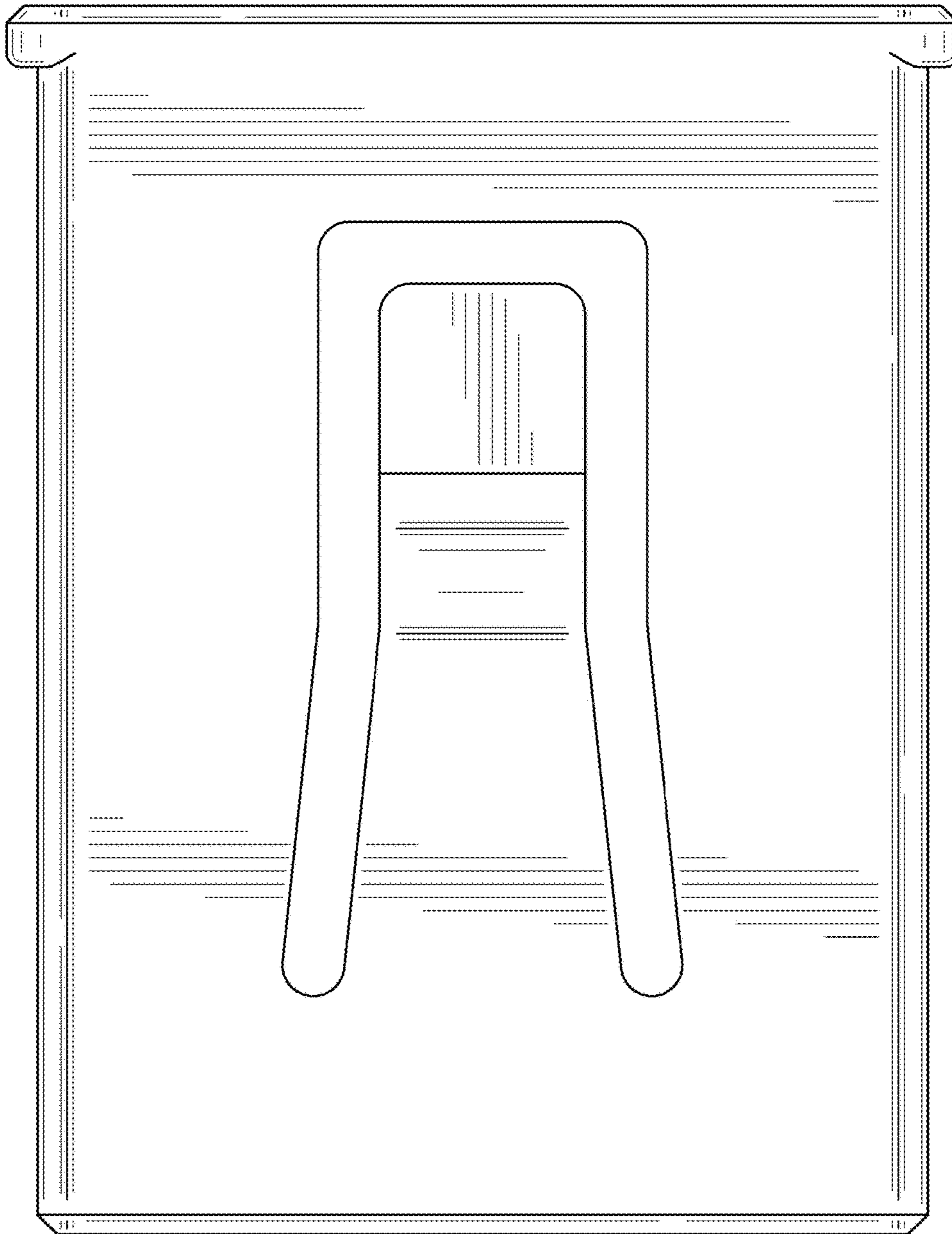


FIG. 5

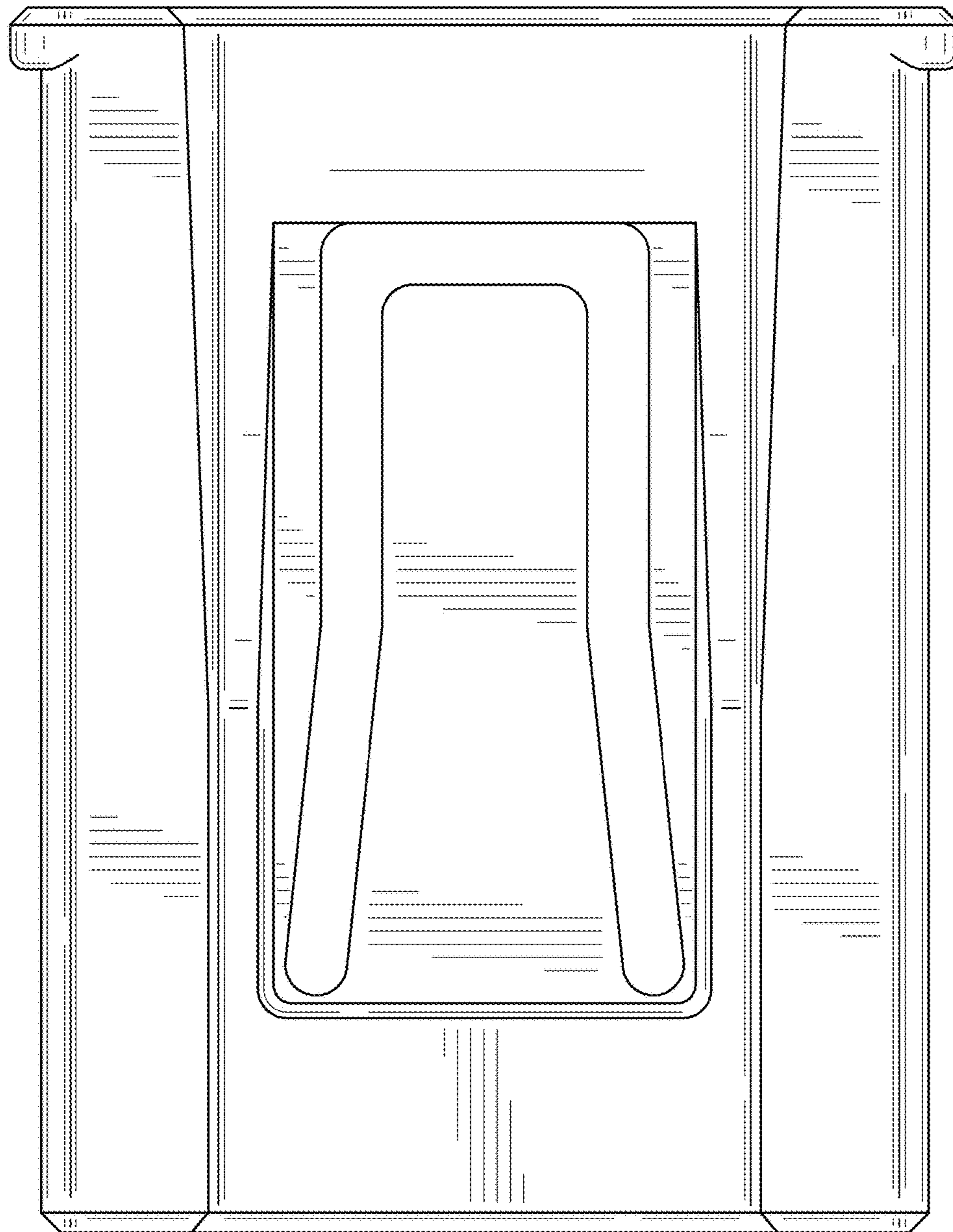


FIG. 6

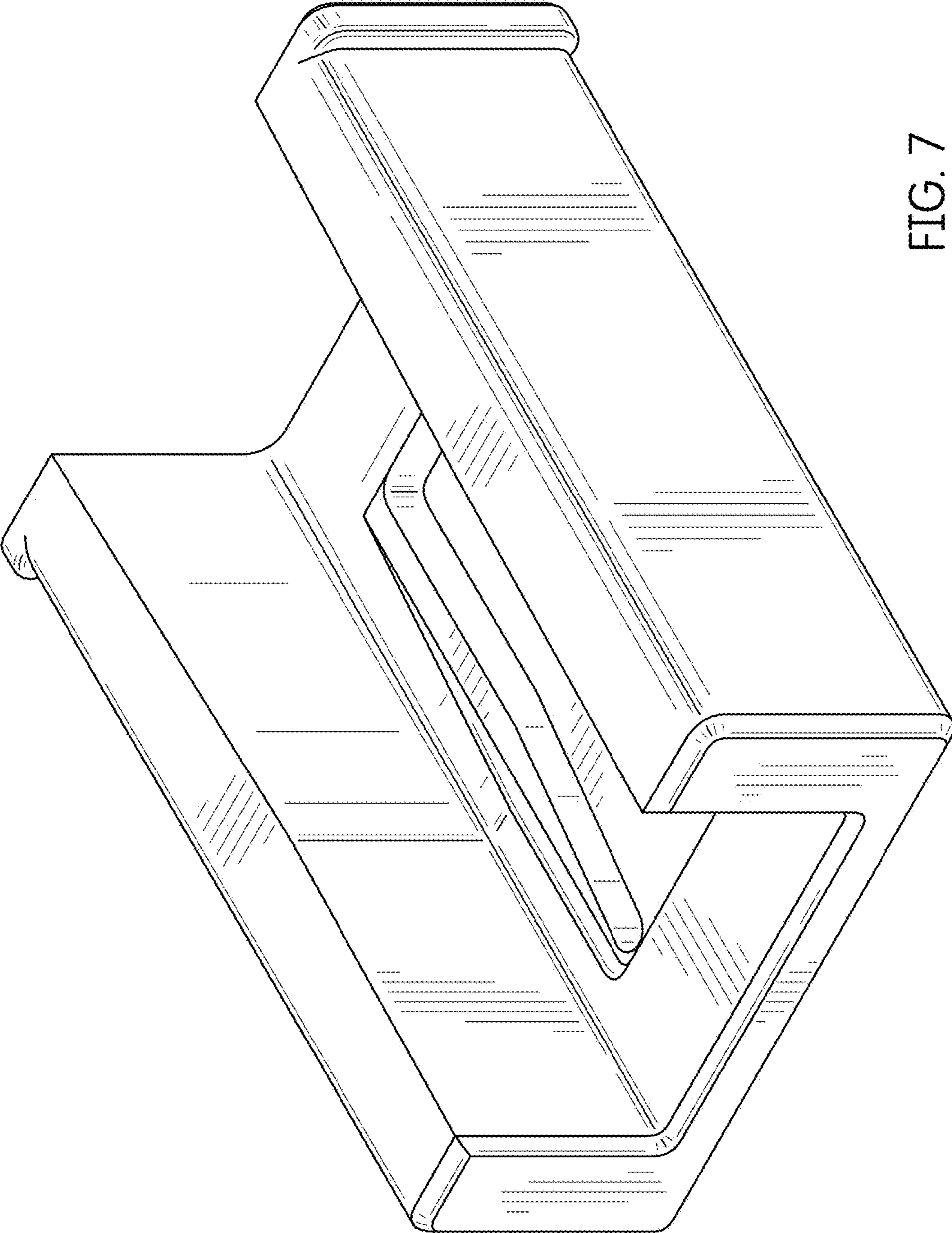


FIG. 7



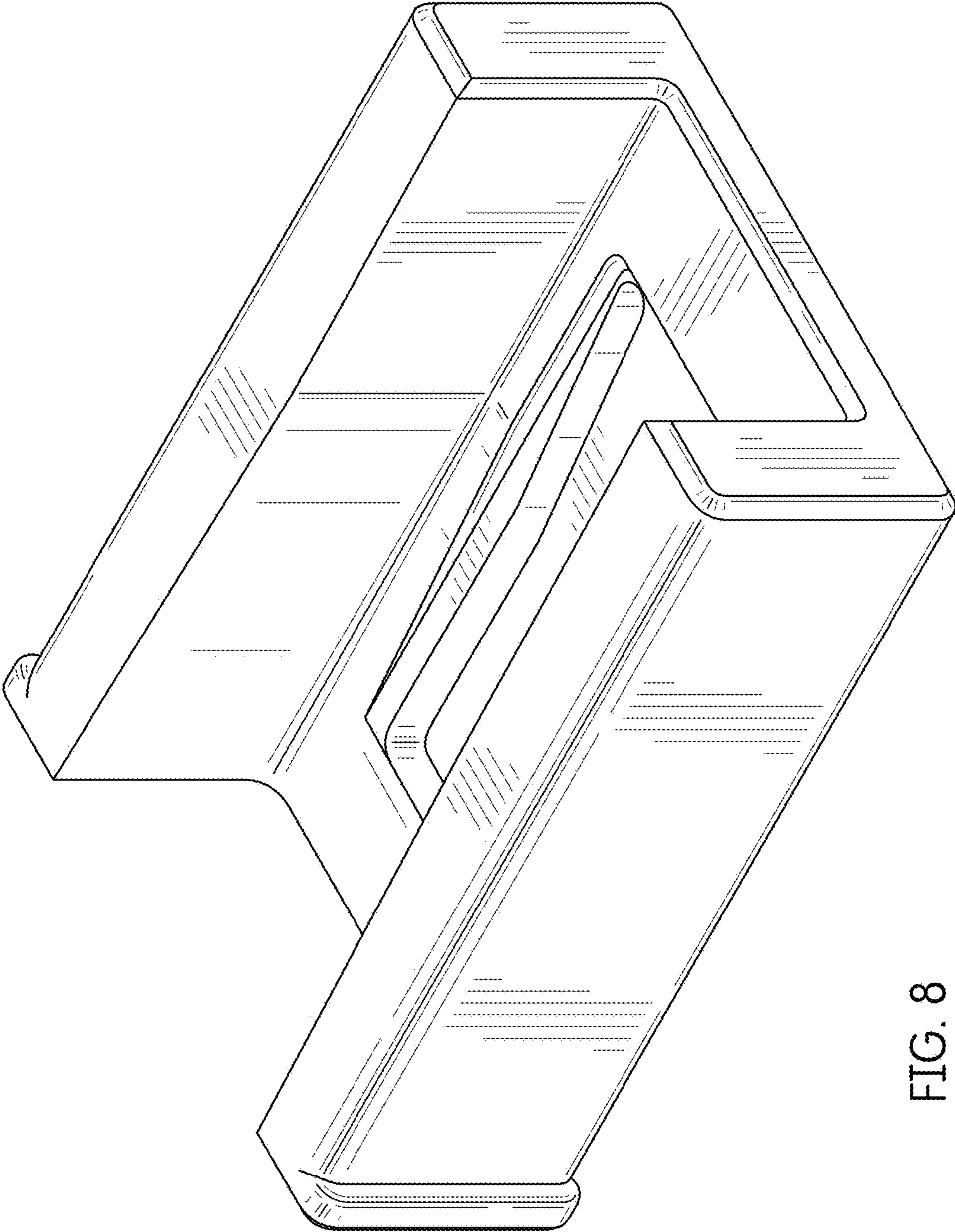


FIG. 8

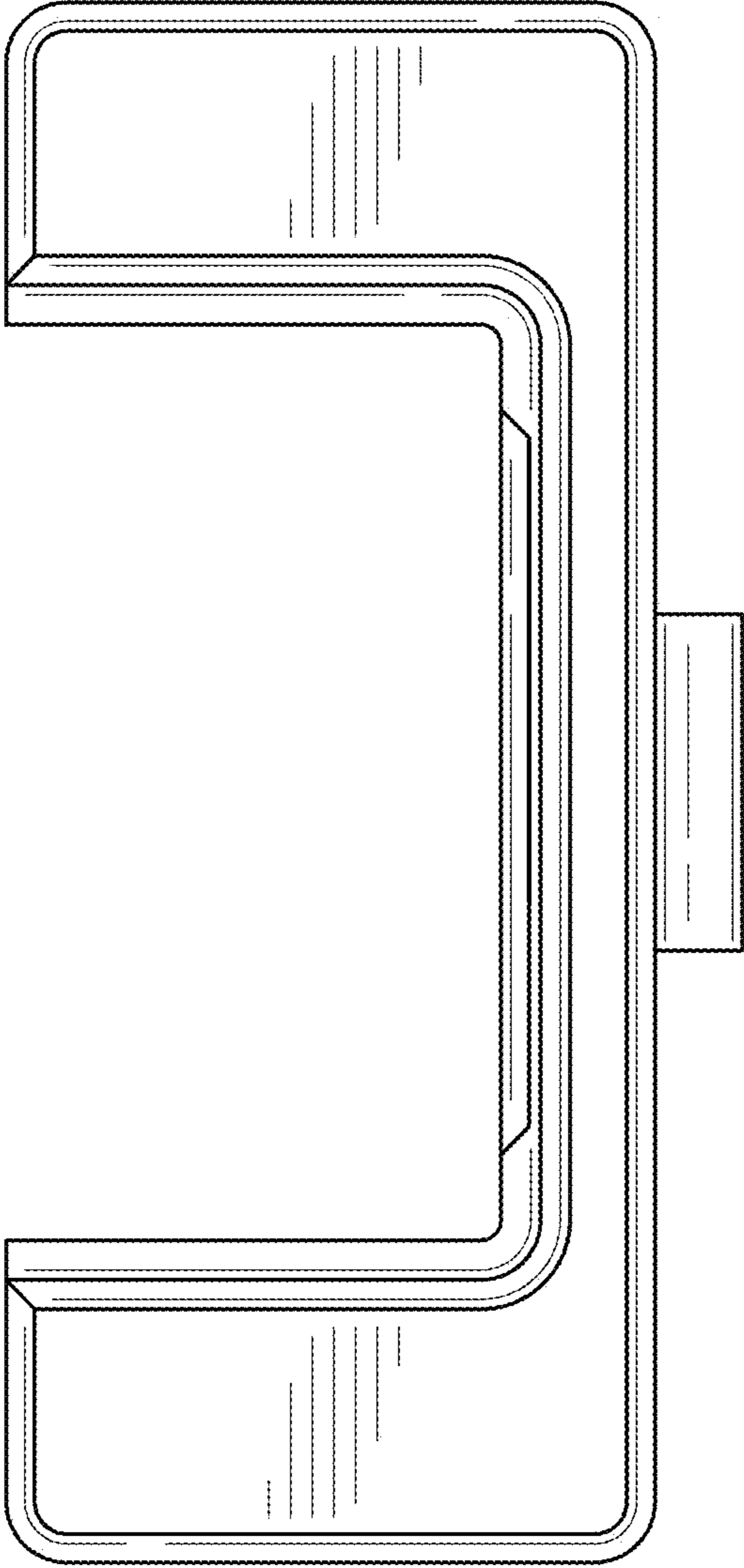


FIG. 9