



US00D822606S

(12) **United States Design Patent**
Wu et al.

(10) **Patent No.:** **US D822,606 S**
(45) **Date of Patent:** **** Jul. 10, 2018**

(54) **BLOCK BODY OF WIRE CONNECTION
TERMINAL**

(71) Applicants: **SWITCHLAB INC.**, New Taipei
(TW); **SWITCHLAB (SHANGHAI)
CO., LTD.**, Shanghai (CN)

(72) Inventors: **Chih-Yuan Wu**, New Taipei (TW);
Wei-Chi Chen, New Taipei (TW);
Jheng-Wei Chen, New Taipei (TW)

(73) Assignees: **Switchlab Inc.**, New Taipei (TW);
Switchlab (Shanghai) Co., Ltd.,
Shanghai (CN)

(**) Term: **15 Years**

(21) Appl. No.: **29/593,338**

(22) Filed: **Feb. 8, 2017**

(30) **Foreign Application Priority Data**

Sep. 29, 2016 (TW) 105305766

(51) **LOC (11) Cl.** **13-03**

(52) **U.S. Cl.**
USPC **D13/133**

(58) **Field of Classification Search**
USPC D13/107, 110, 112, 118, 123, 133, 134,
D13/137.1, 138.1, 145-147, 149, 151,
D13/154, 156, 158, 173, 184, 199
CPC . H01R 4/26; H01R 4/48; H01R 13/00; H01R
13/02; H01R 13/04; H01R 13/06; H01R
13/11; H01R 13/26; H01R 13/28; H01R
13/40; H01R 13/42; H01R 13/50; H01R
13/62; H01R 13/6273; H01R 24/84
See application file for complete search history.

(56) **References Cited**

U.S. PATENT DOCUMENTS

D244,860 S * 6/1977 Jaconette D13/138.1
D314,553 S * 2/1991 Stoll D13/152

D405,759 S * 2/1999 Carmo D13/139.1
D603,049 S * 10/2009 Hardy D13/139.4
D610,987 S * 3/2010 Oohashi D13/112
D682,211 S * 5/2013 Nelson D13/137.2
D682,790 S * 5/2013 Katayanagi D13/147
D729,734 S * 5/2015 Tehranchi D13/122
D783,532 S * 4/2017 Qi D13/122
D788,708 S * 6/2017 Vo D13/133
D804,412 S * 12/2017 Huang D13/108
D804,438 S * 12/2017 Makis D13/184
2010/0068917 A1 * 3/2010 Dennes H01R 4/2433
439/409

* cited by examiner

Primary Examiner — Thomas Johannes

Assistant Examiner — Shawn T Gingrich

(74) *Attorney, Agent, or Firm* — Rosenberg, Klein & Lee

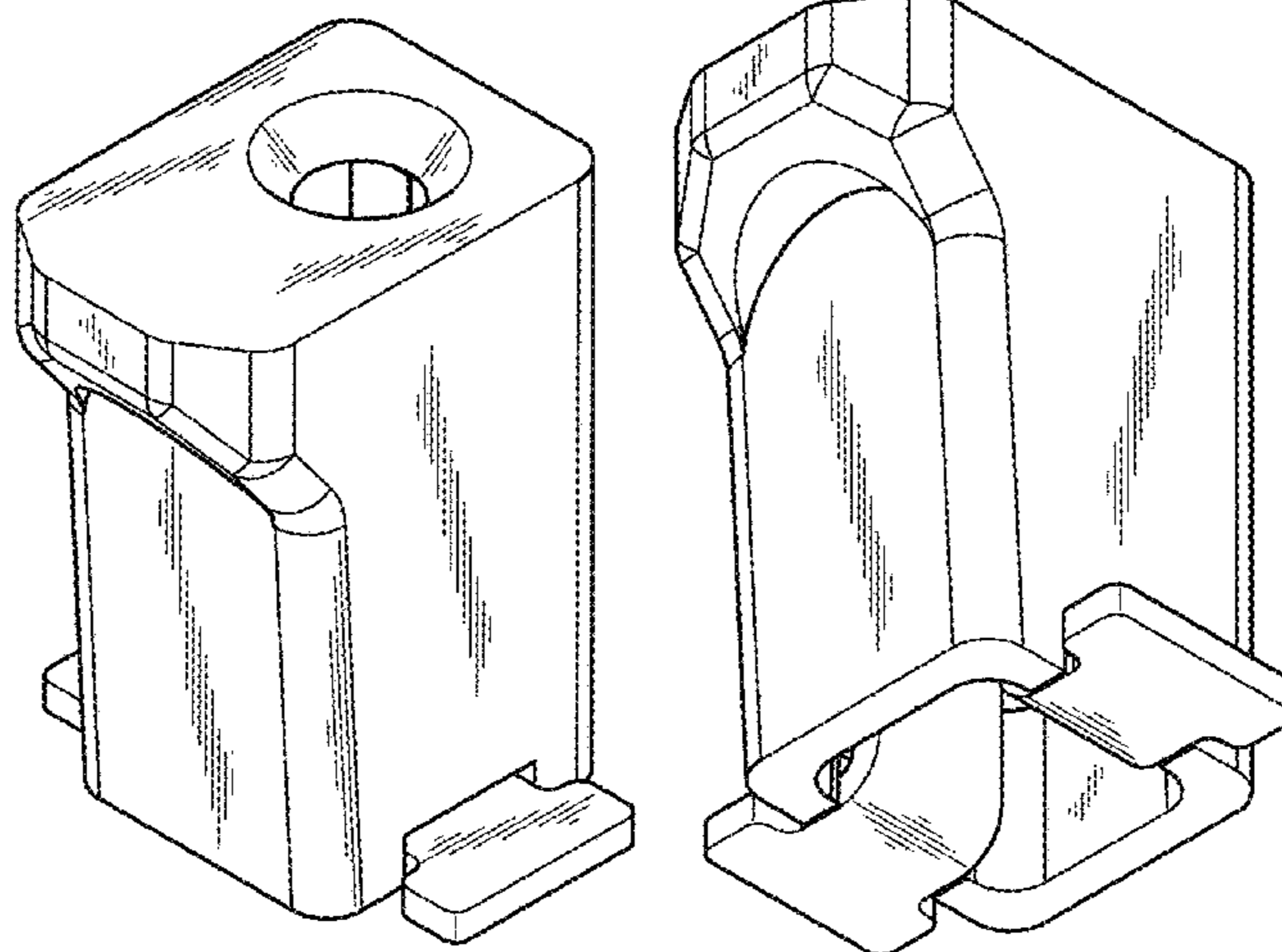
(57) **CLAIM**

The ornamental design for block body of wire connection terminal, as shown and described.

DESCRIPTION

FIG. 1 is a front side perspective view showing our new design for block body of wire connection terminal;
FIG. 2 is a front elevational view thereof;
FIG. 3 is a rear elevational view thereof;
FIG. 4 is a left side elevational view thereof;
FIG. 5 is a right side elevational view thereof;
FIG. 6 is a top view thereof;
FIG. 7 is a bottom view thereof; and,
FIG. 8 is a bottom side perspective view thereof.
The broken lines in the drawings illustrate portions of the block body of wire connection terminal that form no part of the claimed design.

1 Claim, 8 Drawing Sheets



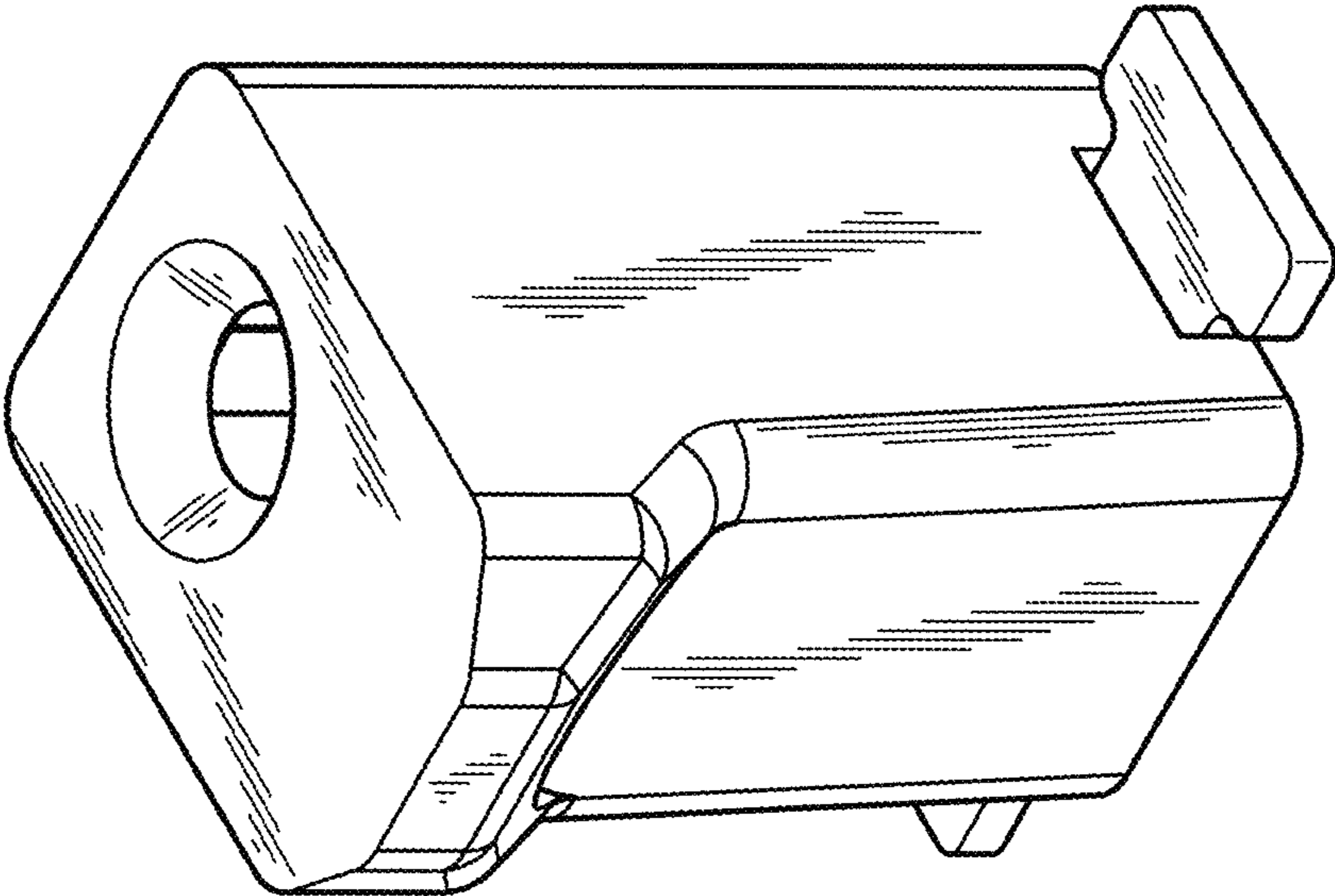


Fig. 1

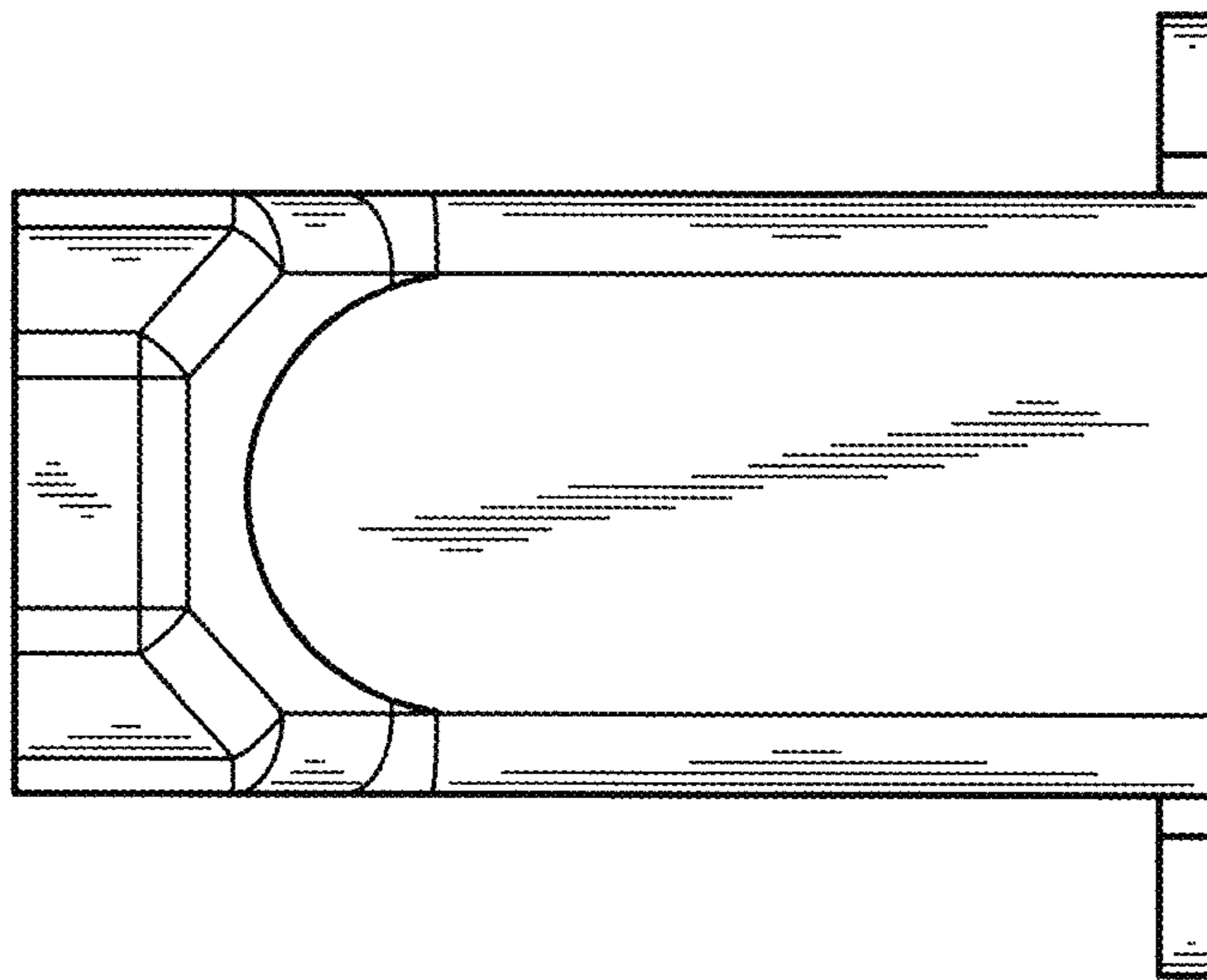


Fig. 2

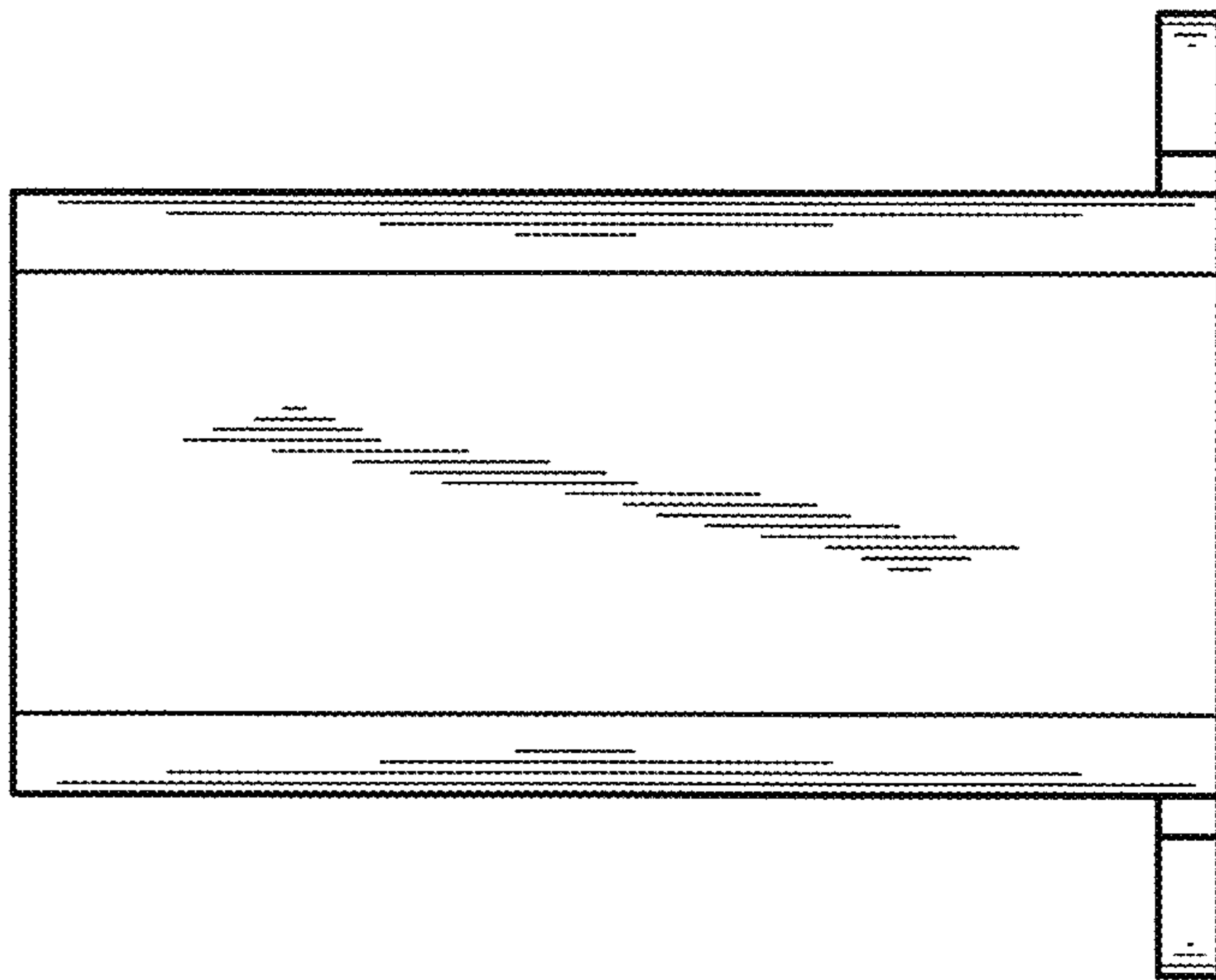


Fig. 3

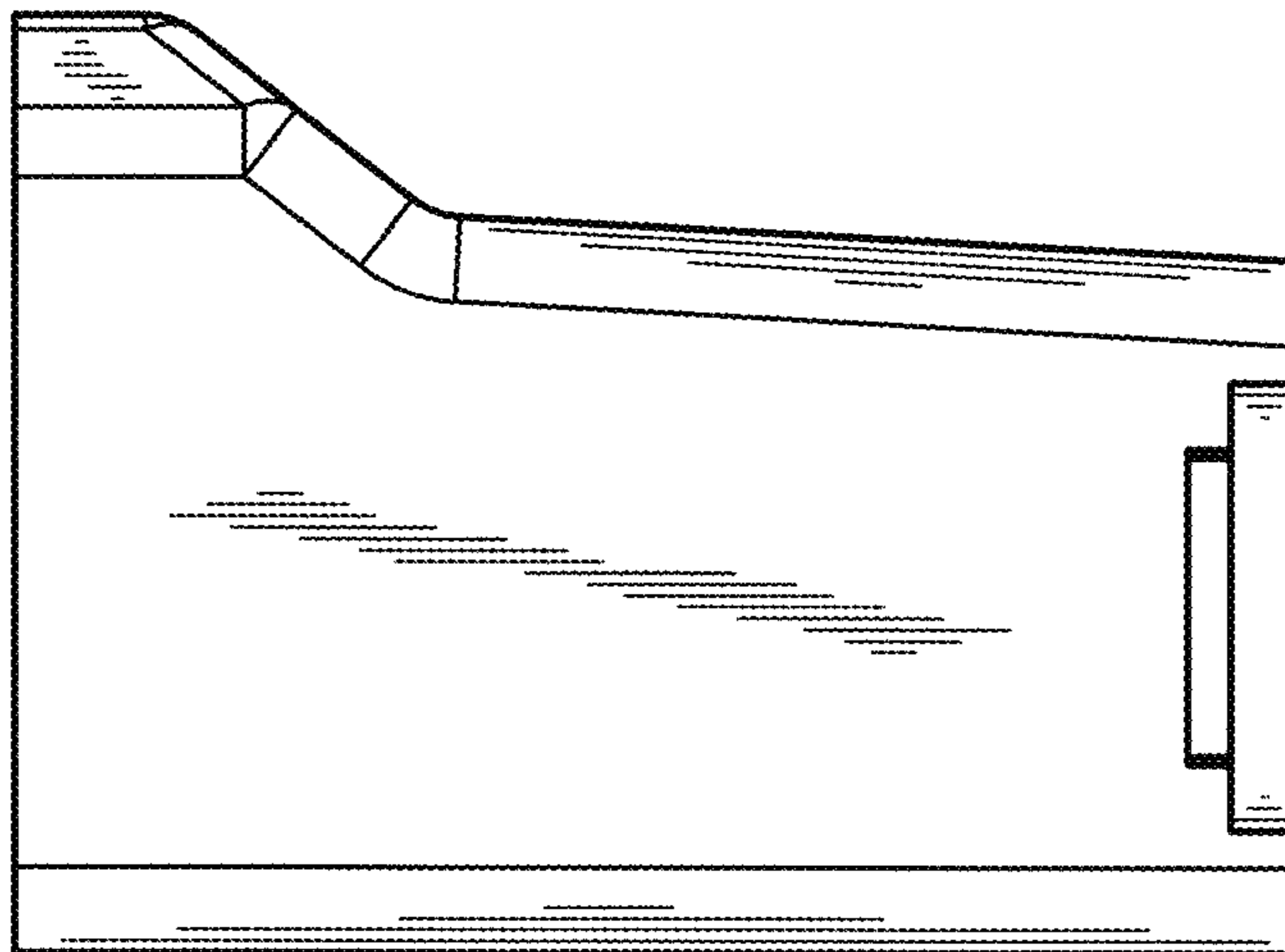


Fig. 4

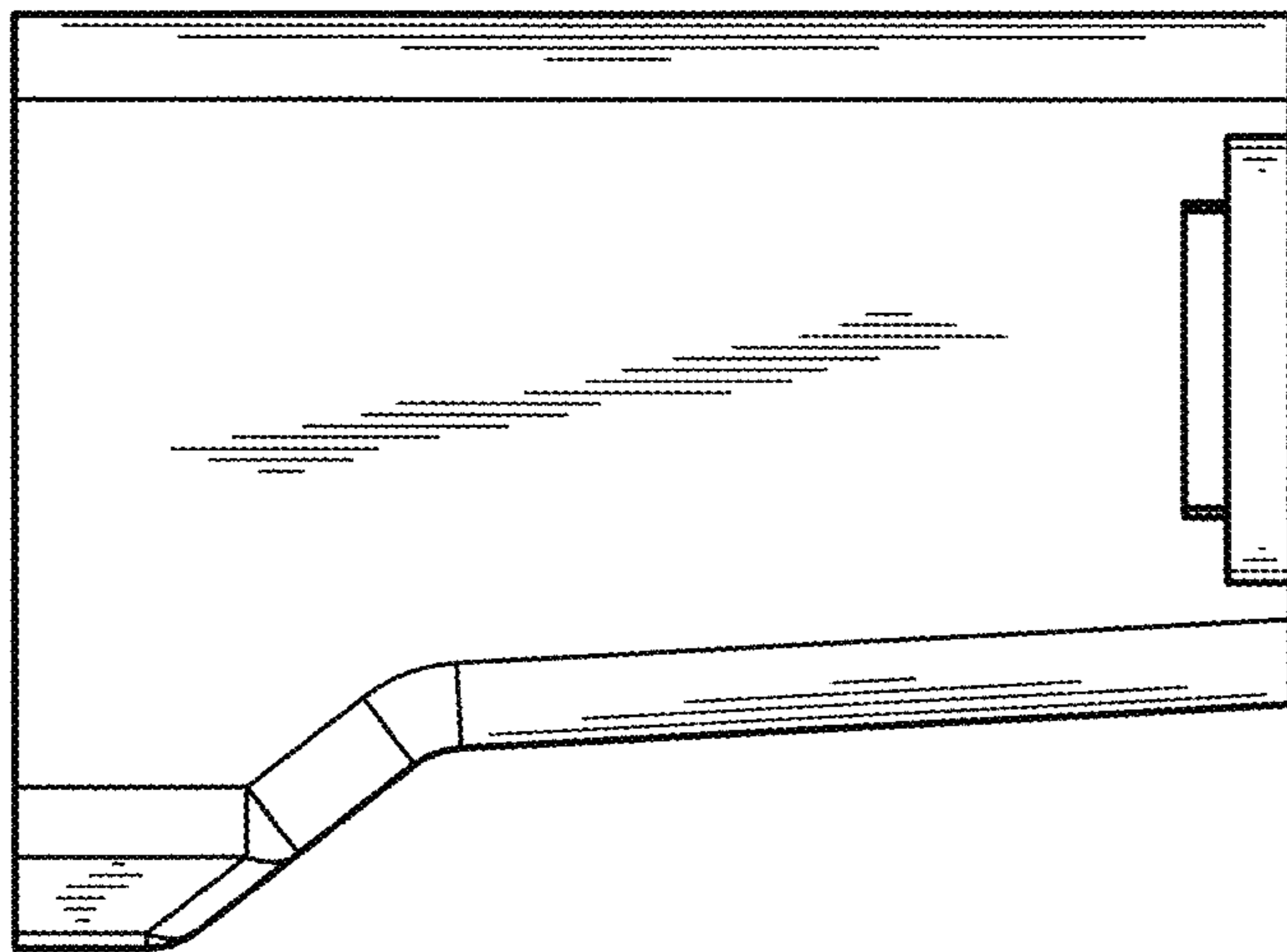


Fig. 5

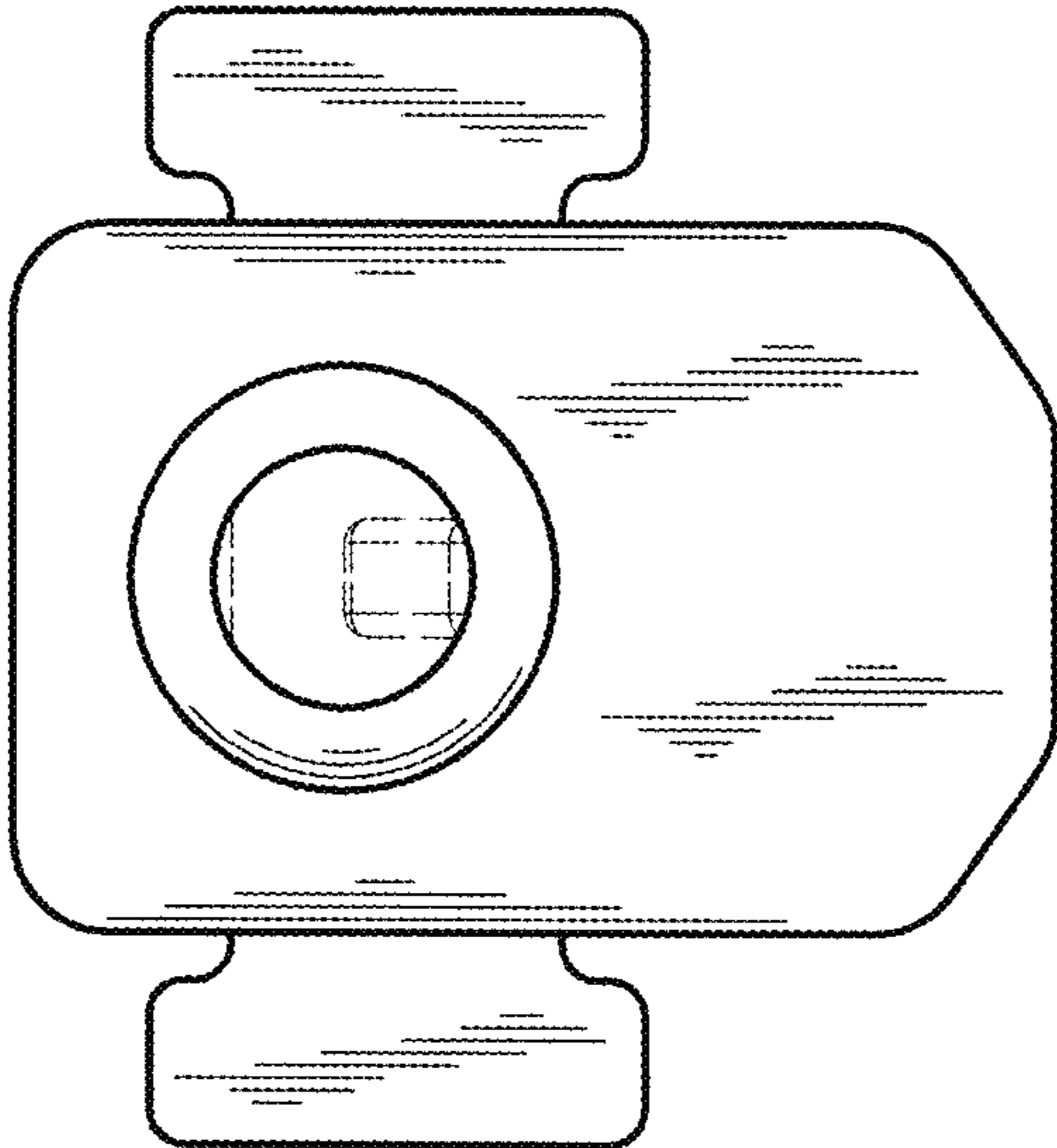


Fig. 6

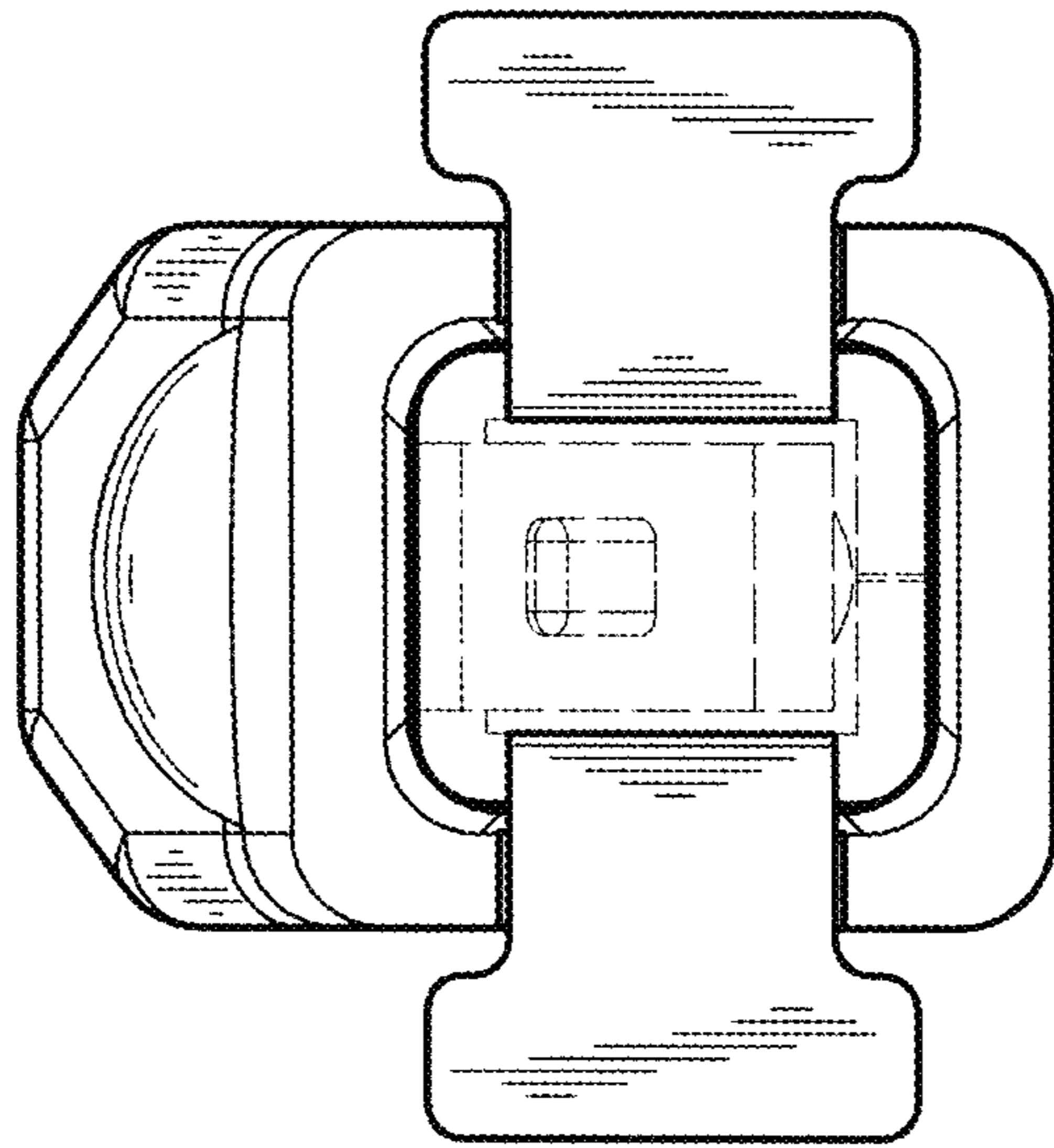


Fig. 7

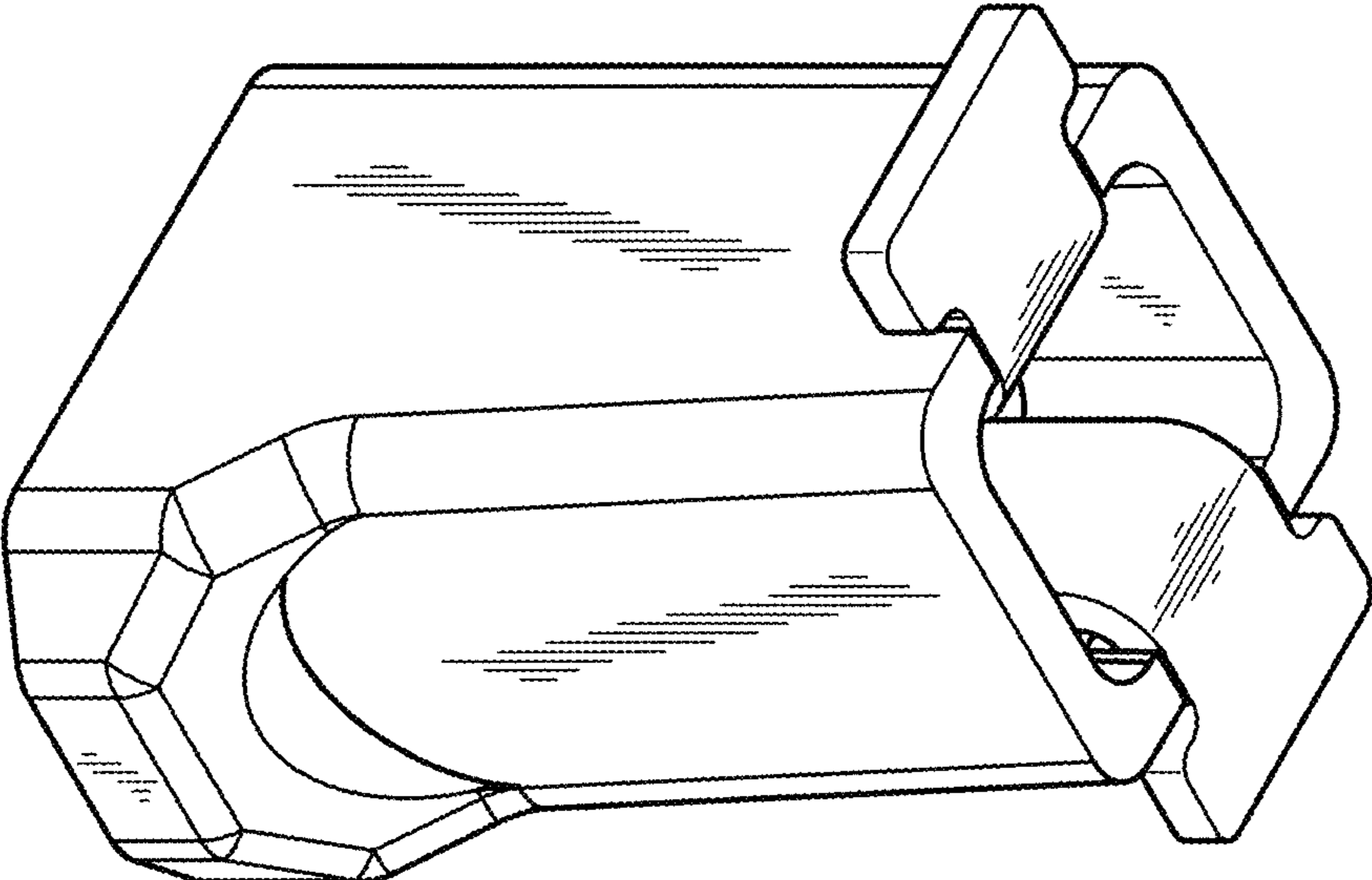


Fig. 8