



US00D822605S

(12) **United States Design Patent** (10) **Patent No.:** **US D822,605 S**
Jin (45) **Date of Patent:** **** Jul. 10, 2018**

(54) **GUITAR PLUG**

FOREIGN PATENT DOCUMENTS

(71) Applicant: **Guanghao Jin**, Shenzhen (CN)

CN 201530213327 * 6/2015

(72) Inventor: **Guanghao Jin**, Shenzhen (CN)

CN 201630075459 * 3/2016

JP 2004074389 A * 3/2004

JP 3189714 U * 3/2014

(**) Term: **15 Years**

OTHER PUBLICATIONS

(21) Appl. No.: **29/571,825**

Musicians Friend, Bullet Cable Bullet Spark Plug Cable, customer review on Mar. 9, 2007, [online], [site visited on Oct. 19, 2017]. Available from Internet, URL: <http://www.musiciansfriend.com/accessories/bullet-cable-bullet-instrument-spark-plug-cable> (Year: 2007).*

(22) Filed: **Jul. 22, 2016**

Amazon, NGK CR7EIX Iridium Spark Plug, first available on May 24, 2007, [online], [site visited on Oct. 19, 2017]. Available from Internet, URL: https://www.amazon.com/NGK-CR7EIX-Iridium-Spark-Plug/dp/B000UK3RT6/ref=sr_1_30?ie=UTF8&qid=1508446886&sr=8-30&keywords=spark+plug (Year: 2007).*

(51) **LOC (11) Cl.** **13-03**

(52) **U.S. Cl.**
USPC **D13/133; D17/20**

(58) **Field of Classification Search**

USPC D17/14, 20, 21, 99; D13/133, 154, 184, D13/199, 127, 151; D14/155, 432, 433
CPC G10H 3/186; G10H 3/18; G10H 3/26; G10H 2210/311; G10H 2210/315; H04R 1/1041; H03F 2200/03

See application file for complete search history.

* cited by examiner

Primary Examiner — Sheryl Lane

Assistant Examiner — Samantha N Wood

(74) *Attorney, Agent, or Firm* — Wayne & King LLC

(57) **CLAIM**

The ornamental design for a guitar plug, as shown and described.

DESCRIPTION

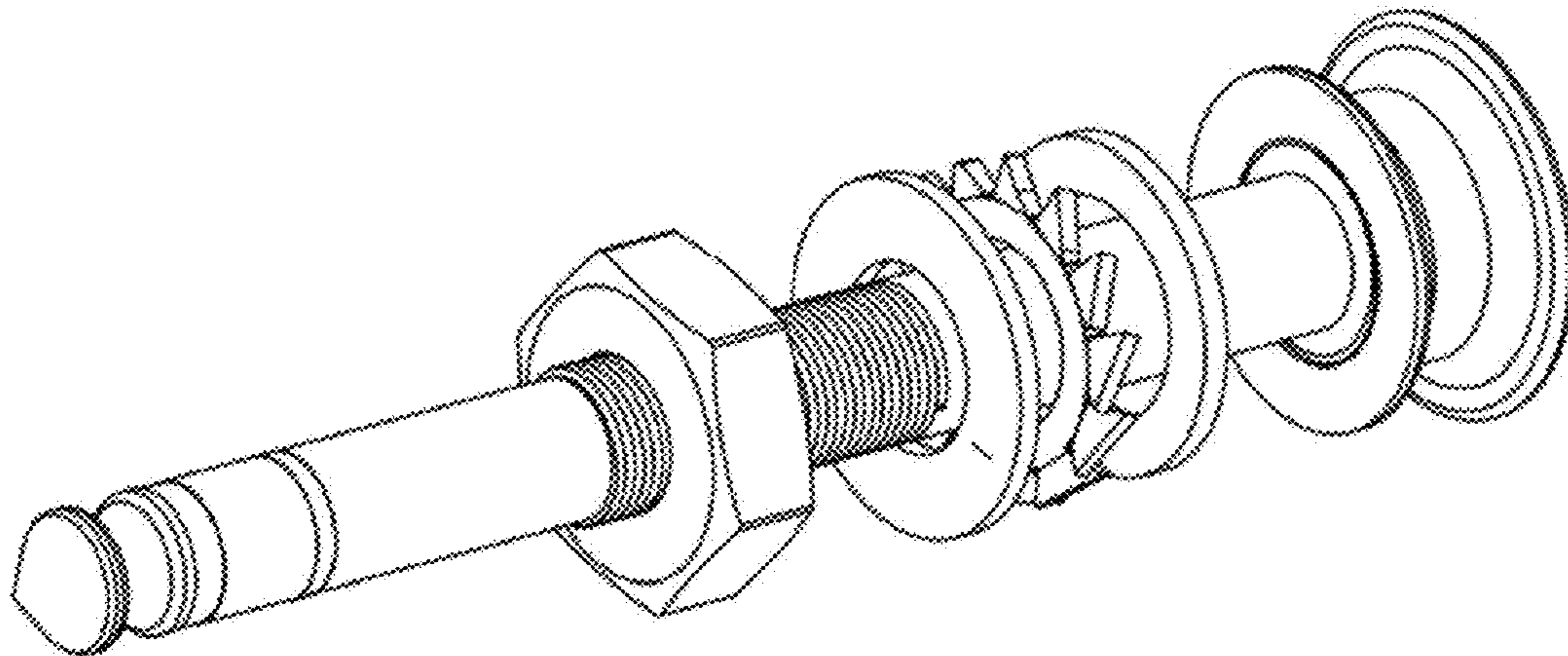
FIG. 1 is perspective view showing my design; FIG. 2 is a front view showing my design; FIG. 3 is a back view showing my design; FIG. 4 is a left side view showing my design; FIG. 5 is a right side view showing my design; FIG. 6 is a top plan view showing my design; and, FIG. 7 is a bottom plan view showing my design. The broken lines are included for the purpose of illustrating portions of the guitar plug and form no part of the claimed design.

(56) **References Cited**

U.S. PATENT DOCUMENTS

D212,006 S * 8/1968 Roberts D14/155
D233,762 S * 11/1974 Suyama D14/155
D284,001 S * 5/1986 Harris D13/127
D297,479 S * 8/1988 Rifkin D99/43
5,362,251 A * 11/1994 Bielak H01R 9/053
439/394
D494,136 S * 8/2004 Vesecky D13/127
D703,149 S * 4/2014 Lee D13/154
D796,280 S * 9/2017 Godoy D8/21
2011/0059657 A1 * 3/2011 Lynch 439/668

1 Claim, 7 Drawing Sheets



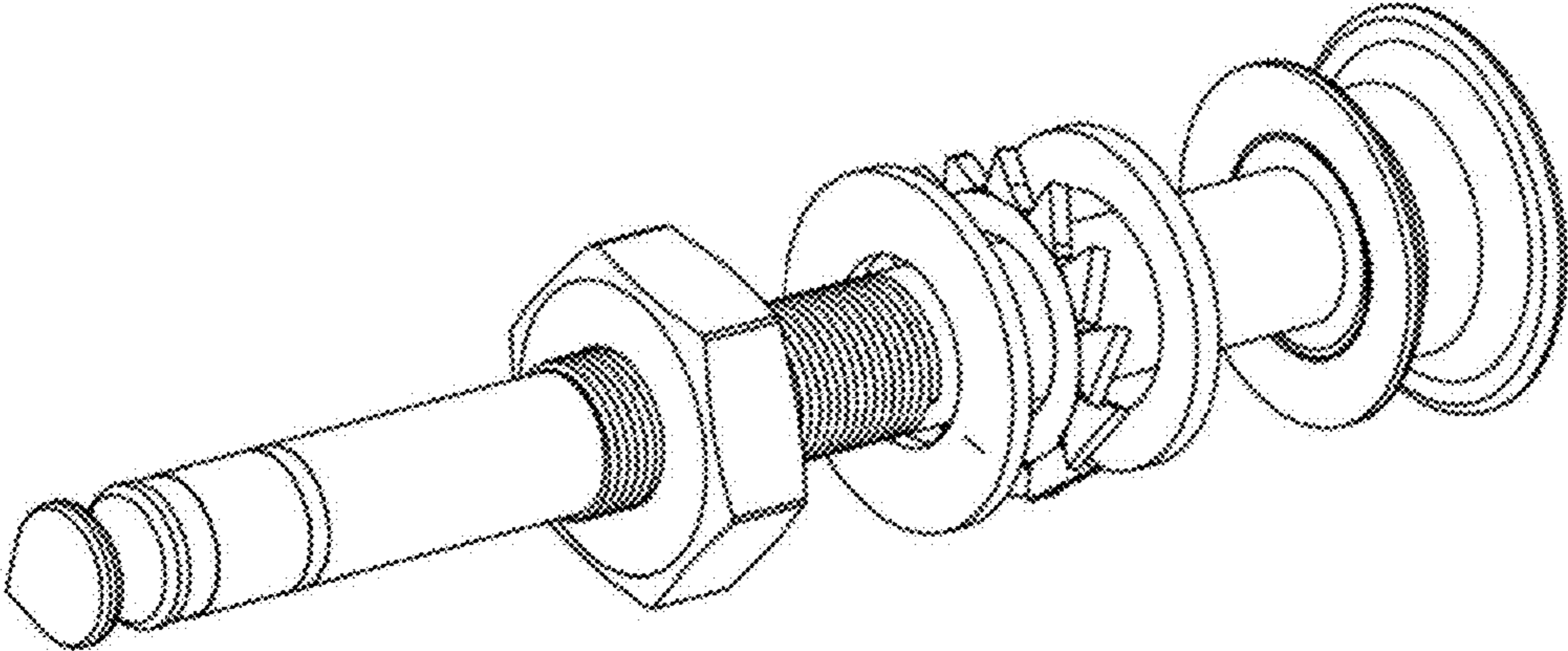


FIG.1

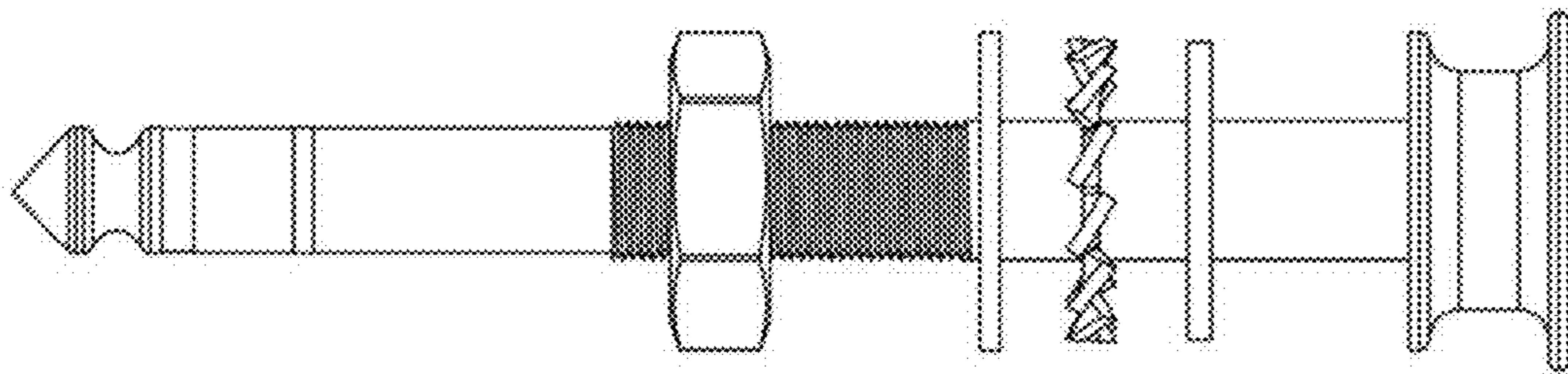


FIG. 2

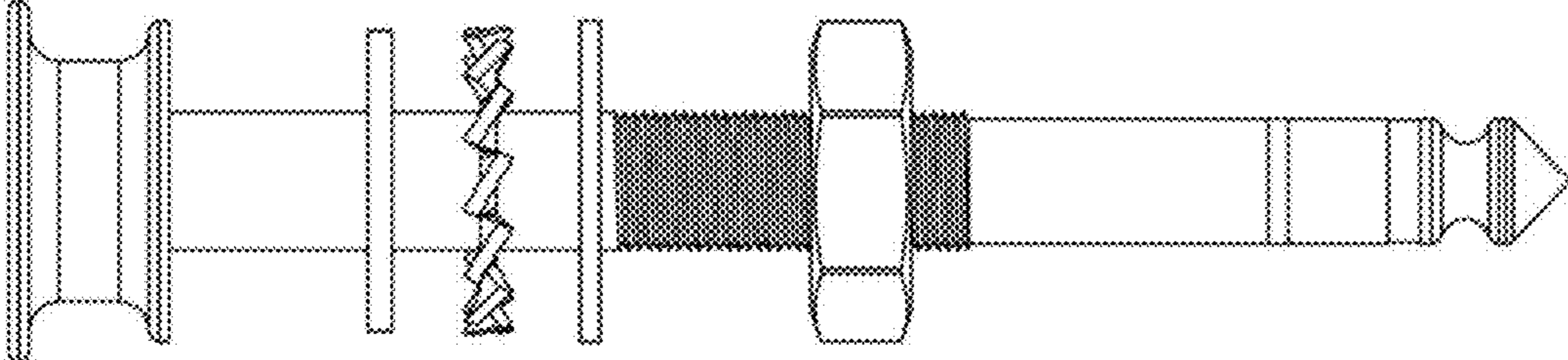


FIG. 3

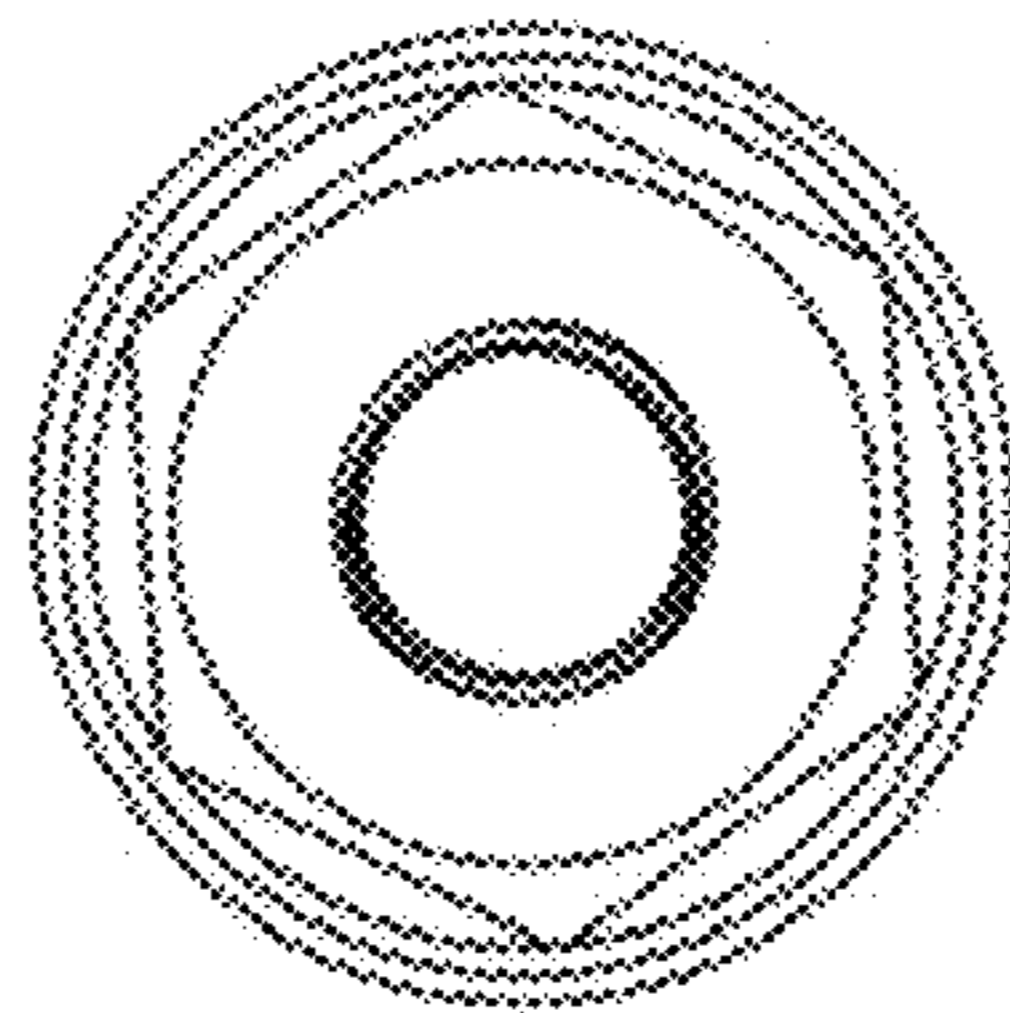


FIG.4

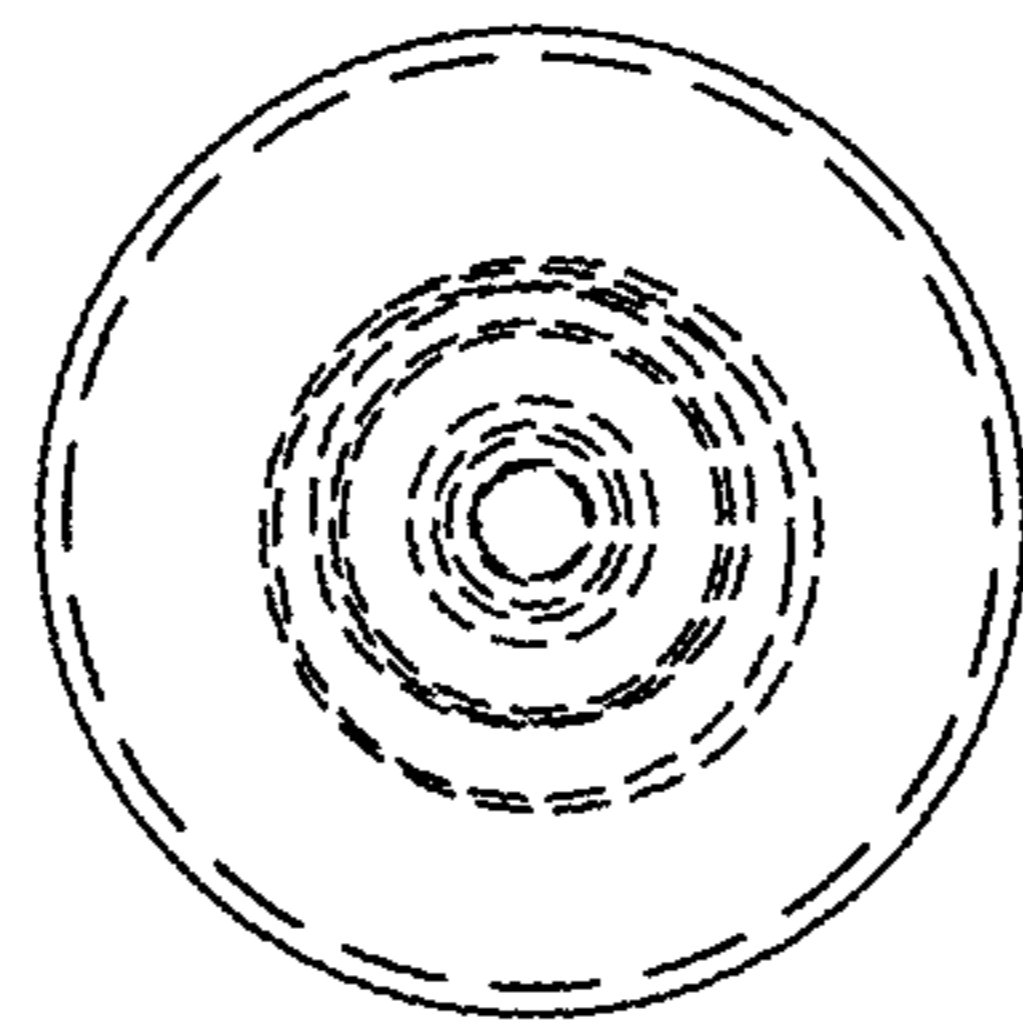


Fig. 5

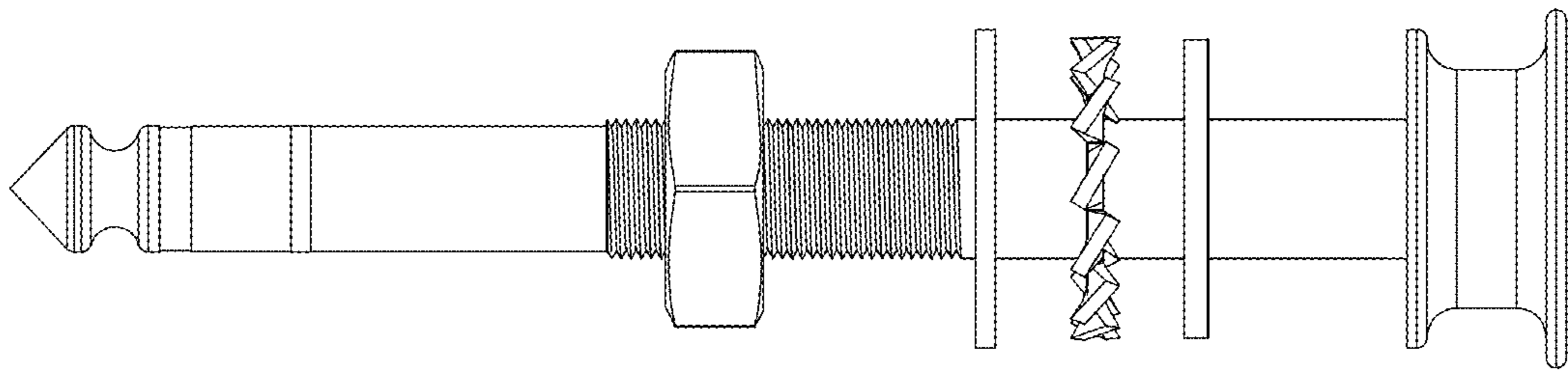


Fig. 6

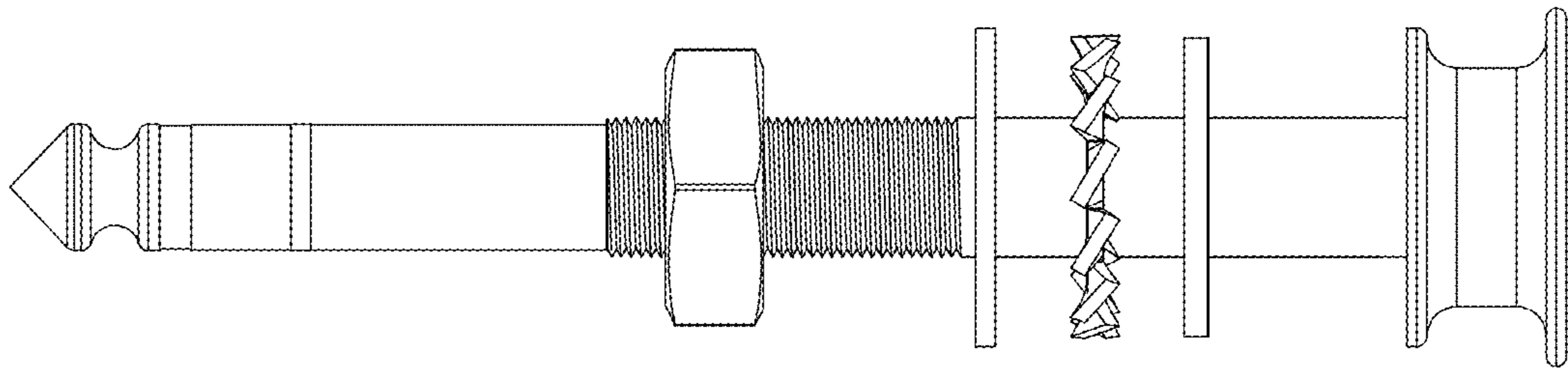


Fig. 7